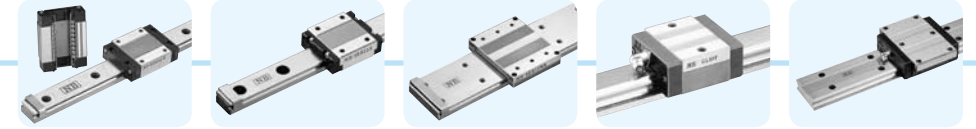






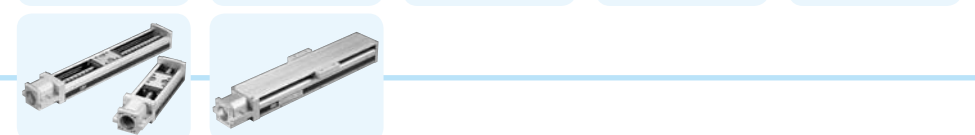





LINEAR SYSTEM

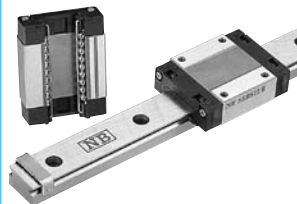
NB LINEAR SYSTEM
 TECHNICAL INFORMATION Eng-1~42

CONTENTS

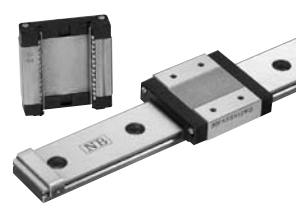
<p>SLIDE GUIDE A-1~85</p>	
<p>BALL SPLINE ROTARY BALL SPLINE STROKE BALL SPLINE B-1~39</p>	
<p>SLIDE BUSH C-1~161</p>	
<p>TOP BALL® D-1~21</p>	
<p>STROKE BUSH SLIDE ROTARY BUSH E-1~23</p>	
<p>SHAFT F-1~29</p>	
<p>SLIDE WAY•SLIDE TABLE MINIATURE SLIDE GONIO WAY G-1~64</p>	
<p>ACTUATOR H-1~69</p>	
<p>SLIDE SCREW I-1~7</p>	

SLIDE GUIDE

SEBS-B/BY P.A-26
SEBS-BM/BYM P.A-26



SEBS-WB/WBY P.A-28



SEB-A/AY P.A-30



SEB-WA/WAY P.A-32



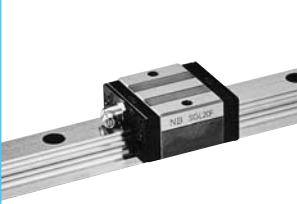
SER-A P.A-38



SER-WA P.A-40



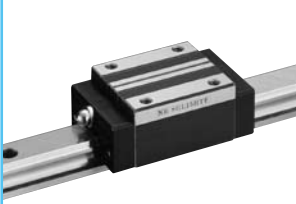
SGL-F P.A-48



SGL-TF P.A-50



SGL-HTF P.A-52



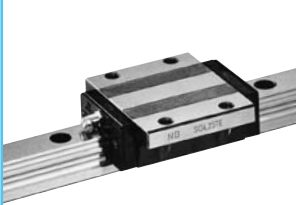
SGL-HYF P.A-54



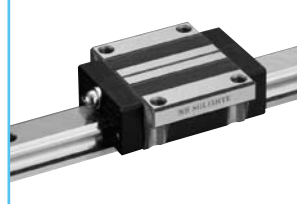
SGL-E P.A-56



SGL-TE P.A-58



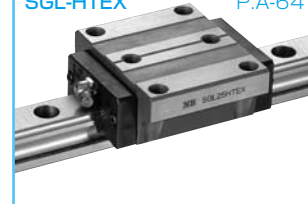
SGL-HTE P.A-60



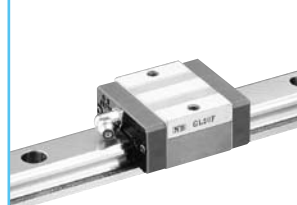
SGL-HYE P.A-62



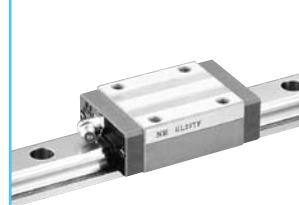
SGL-HTEX P.A-64



GL-F P.A-66



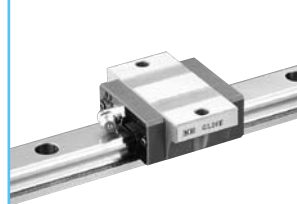
GL-TF P.A-68



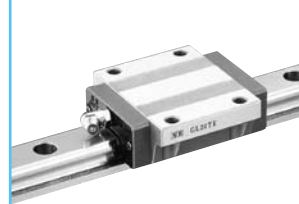
GL-HTF P.A-70



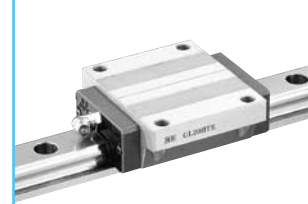
GL-E P.A-72



GL-TE P.A-74



GL-HTE P.A-76



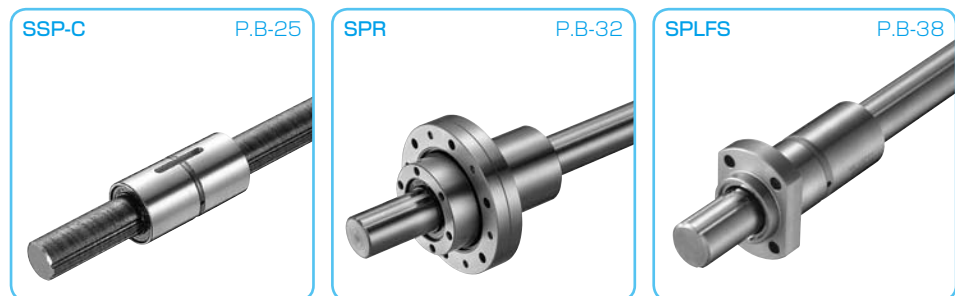
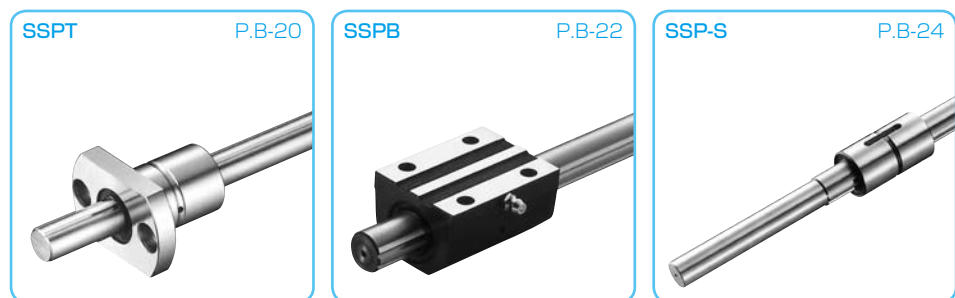
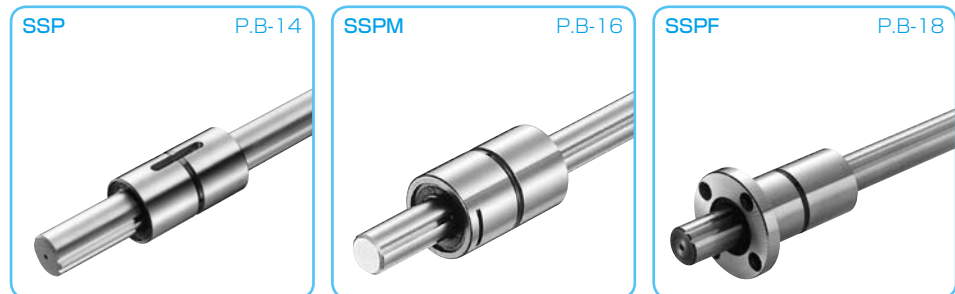
SGW-TF P.A-82



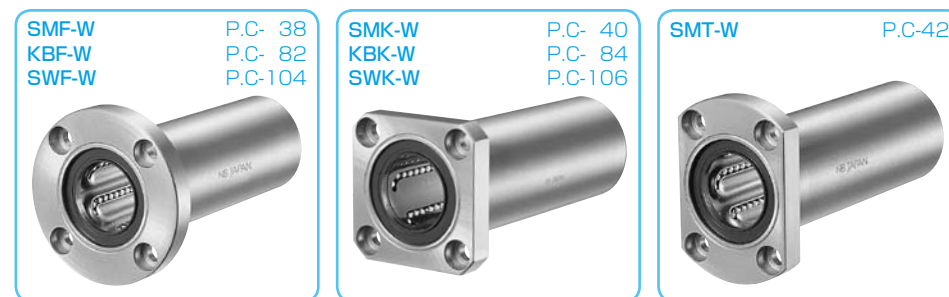
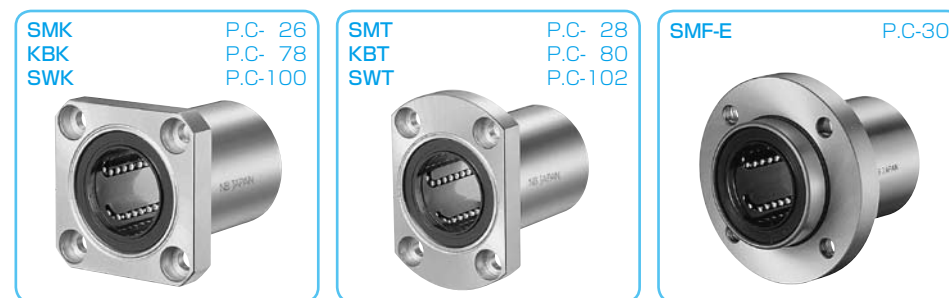
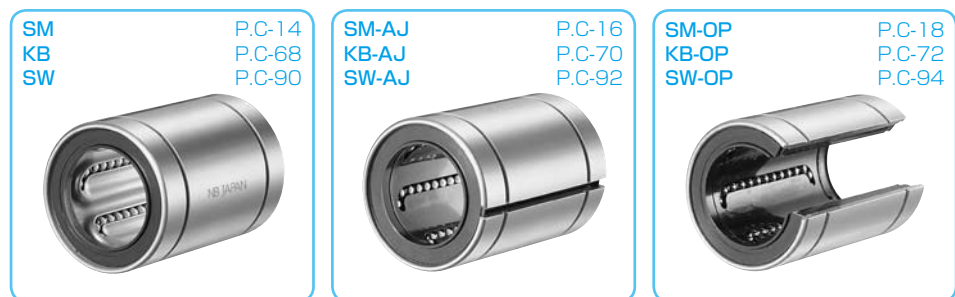
SGW-TE P.A-84

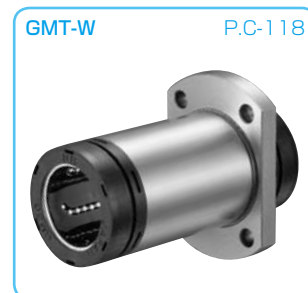


BALL SPLINE / ROTARY BALL SPLINE / STROKE BALL SPLINE

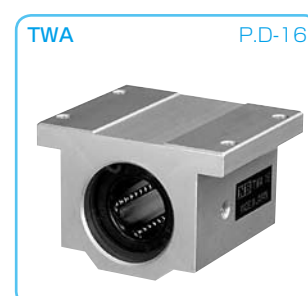
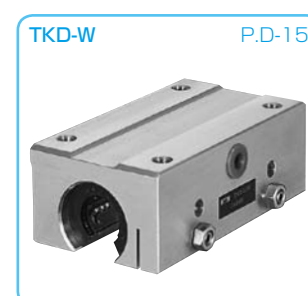
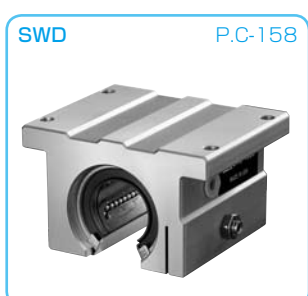
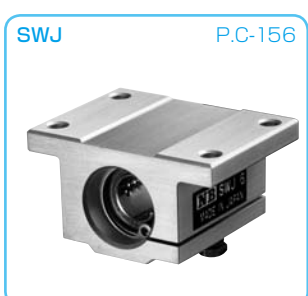
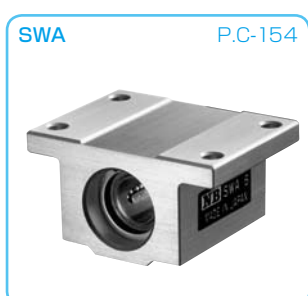
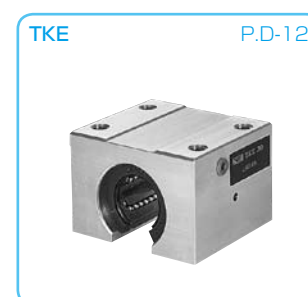
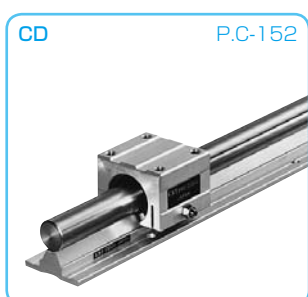
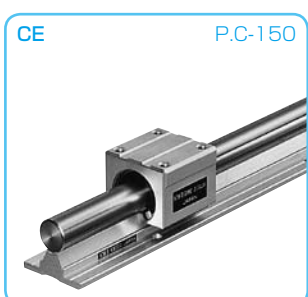
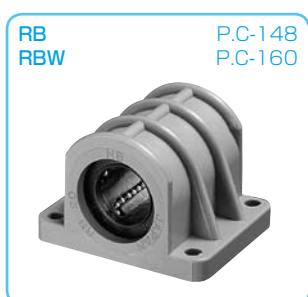
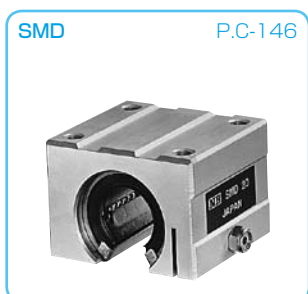
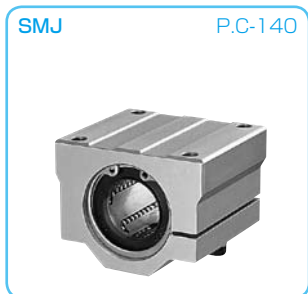


SLIDE BUSH





TOP BALL



TWJ P.D-18



TWJ-W P.D-19



TWD P.D-20



TWD-W P.D-21



SMA-R P.E-16



SMA-RW P.E-17



AK-R P.E-18



AK-RW P.E-19



SMP-R P.E-20



RK P.E-23



STROKE BUSH / SLIDE ROTARY BUSH

SR P.E-4



SR-UU P.E-5



SR-B P.E-6



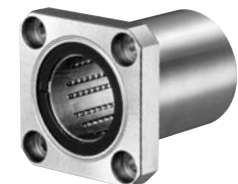
SR-BUU P.E-7



SRE P.E-12



SREK P.E-14

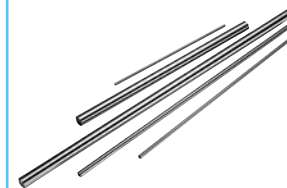


SHAFT

SN SNW P.F- 6 P.F-10



SNS SNWS P.F- 7 P.F-11



SNT P.F-8



SNB/SNSB SNW-PD/SNWS-PD P.F- 9 P.F-12

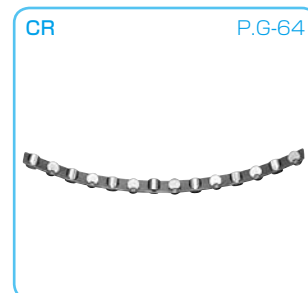
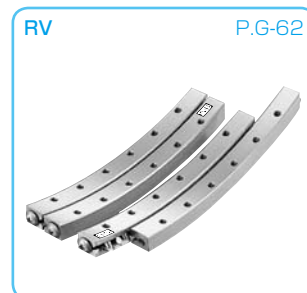
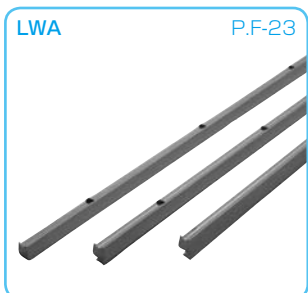
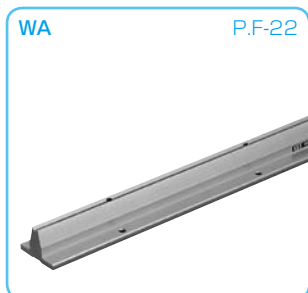
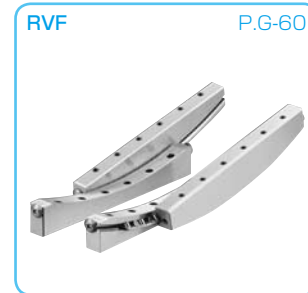
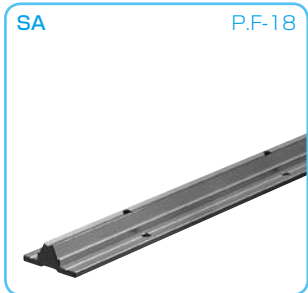


SH-A P.F-15

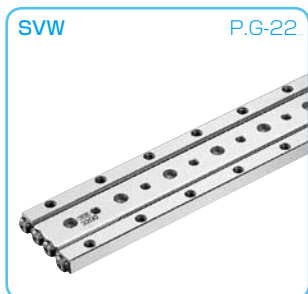
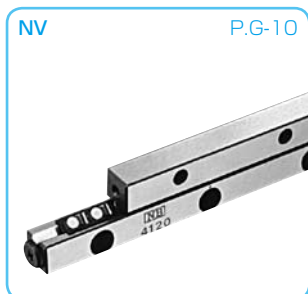


SH P.F-16

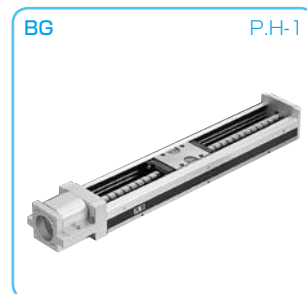




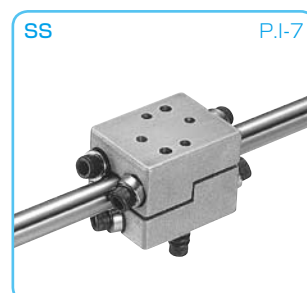
SLIDE WAY/SLIDE TABLE/MINIATURE SLIDE/GONIO WAY



ACTUATOR



SLIDE SCREW



NB LINEAR SYSTEM

The NB linear system is a linear motion mechanism which utilizes the rotational motion of ball and/or roller elements. NB offers a wide range of linear motion products of high precision quality that contribute to the size and weight reduction of machinery and equipment.

ADVANTAGES

Low Friction and Excellent Response

The dynamic friction of the ball or roller elements is substantially lower than that of full-face surface sliding friction. Since the difference between dynamic and static frictional resistance is small, motion response is excellent in terms of positioning accuracy and in high speed applications with acceleration and deceleration.

High Precision and Smooth Movement

The NB linear system is designed for the rolling elements to achieve extremely smooth motion. The raceway surface is finished by precision grinding for high precision movement with optimal clearance.

High Load Capacity and Long Travel Life

Despite the compactness of the NB linear system, the system uses relatively large rolling elements on a long raceway resulting in a high load capacity and a long travel life.

Ease of Installation

The NB linear system shortens machining and assembly time compared with that of a full-face surface sliding bearing.

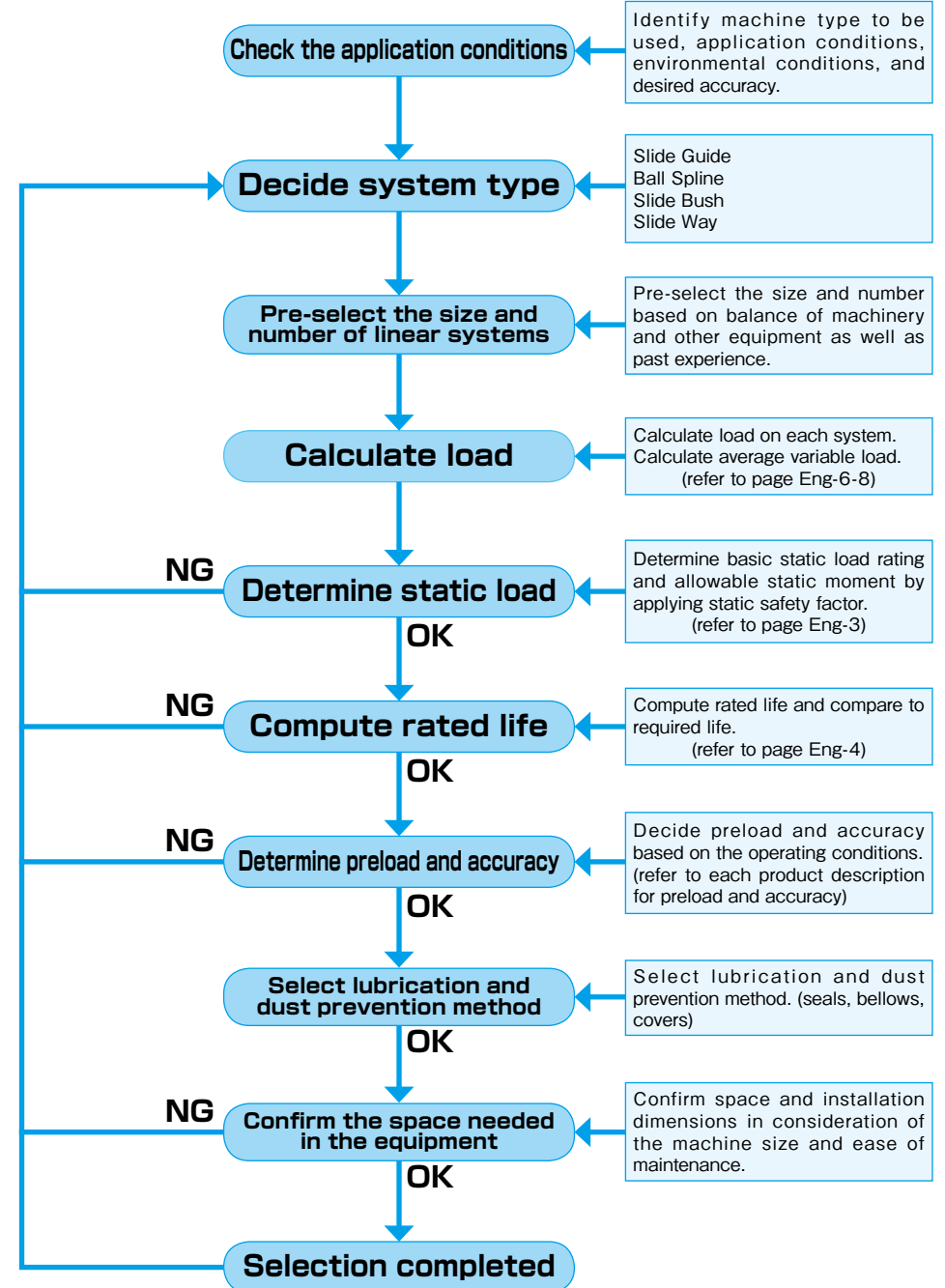
Variety of Types

A wide variety of types and sizes of the NB linear systems are available to best serve the purpose for every application and requirement.



Eng-1

PROCESS FOR SELECTING NB LINEAR SYSTEM



Eng-2

ALLOWABLE LOAD

Load and Moment

A load is applied to the linear system as Figure 1-1 shows. Sometimes moment loads are applied to, for example, slide guides. Load and moment are defined as follows.

Basic Static Load Rating (compliant with ISO14728-2*) and Allowable Static Moment

When excess load or impact load is applied to the linear system while it is stationary or moving slowly, a permanent deformation occurs on the rolling elements and the race way.

If this deformation exceeds a certain limit, it causes vibration and noise during operation resulting in a non-smooth motion and a shorter life time. To prevent this permanent deformation and deterioration in motion accuracy, the basic static load rating (Co) is given as the allowable load for the linear system. This basic static load rating is defined as the static load that results in the maximum allowable stress at the center of the contact surface between the rolling elements and the race way. The sum of the permanent deformation of the rolling element and that of the race way is 0.0001 time the diameter of the rolling element. In the linear system, a moment load may be present in addition to the static load. The allowable static moments are defined by Mp, My, and Mr as illustrated in Figure 1-1.

*1: This does not apply to some products.

Allowable Load and Static Safety Factor

The basic static load rating and allowable static moment define the maximum static load in each direction, however, these maximum static loads are not necessarily applicable depending on the operating conditions, the mounting accuracy, and the required motion accuracy. Therefore, an allowable load with a safety factor must be obtained. The minimum static safety factor is listed in Table 1-1.

Allowable Load
 $P_{max} \leq C_o / f_s$ (1)
 Allowable Moment
 $M_{max} \leq (M_p, M_y, M_r) / f_s$ (2)

fs: static safety factor Co: basic static load rating (N)
 Pmax.: allowable load (N)
 Mp, Mr, My: allowable static moment (N · m)
 Mmax.: allowable moment (N · m)

Figure 1-1 Load and Moment

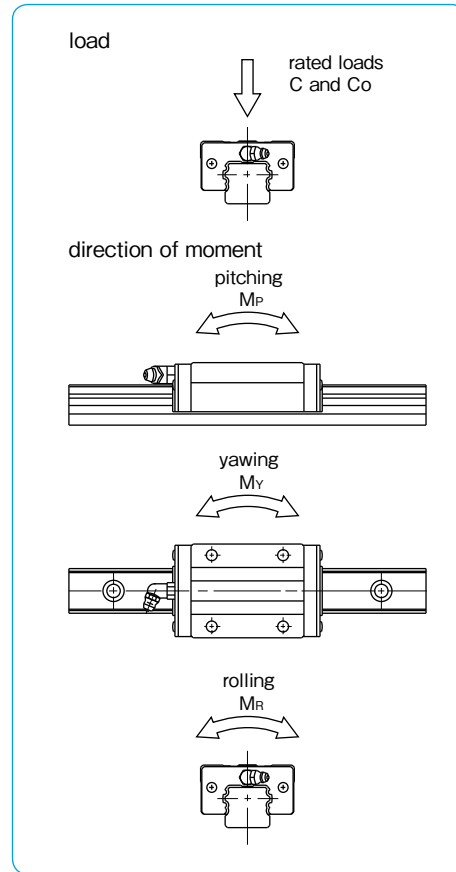


Table 1-1 Minimum Static Safety Factor (fs)

operating conditions	static safety factor
normal	1~2
smooth motion required	2~4
vibration/impact loading	3~5

LIFE

Life of a Linear System

When a linear system reciprocates under loading, a continuous stress acts on it, ultimately causing flaking of its race way surface due to material fatigue. The distance a linear system travels before this flaking occurs is defined as the life of the linear system. A linear system can also become inoperable due to sintering, cracking, pitting, or rusting, however, these causes are differentiated from flaking because they are related to installation accuracy, operating environment, and relubrication method.

Rated Life

Even when a group of linear systems from the same production lot operated under identical conditions, the life time can differ due to differences in the material fatigue failure characteristics. This fact prevents from determining the exact life time of a single linear system for use. Therefore, the rated life is defined statistically as the distance of 90% of the linear systems travel before causing flaking.

Basic Dynamic Load Rating (compliant with ISO14728-1*) and Basic Dynamic Torque Rating

The life of a linear system is expressed in terms of the distance traveled. Therefore, the life of a linear system is calculated reversely by using the allowable load that achieves a certain travel distance. This allowable load is called the basic dynamic load rating. The basic dynamic load rating is defined as a constant load in weight and direction that can achieve a travel distance of 50x10³m on the linear system. NB assumes the load is applied from the top as a normal radial load, because basic dynamic load ratings change depending on the applied load direction. The basic dynamic load ratings in the dimensional tables are based on this assumption. Ball splines can carry torque loading, so the basic dynamic torque rating is defined for the Ball Spline.

*2: This does not apply to some products.

Rated Life Estimation

The rated life estimation depends on the type of the rolling element. Equations (3) and (4) are used for the ball element and for the roller element, respectively. Equation (5) is used when torque loading is present.

balls are used as the rolling element
 $L = \left(\frac{C}{P}\right)^3 \cdot 50$ (3)

rollers are used as the rolling element
 $L = \left(\frac{C}{P}\right)^{10/3} \cdot 50$ (4)

torque loading is present
 $L = \left(\frac{C_T}{T}\right)^3 \cdot 50$ (5)

L: rated life (km) C: basic dynamic load rating (N)
 P: applied load (N) Cr: basic dynamic torque rating (N · m)
 T: applied torque (N · m)

In the actual application, numerous variable factors are present such as in guide rail/shaft accuracy, in mounting conditions, in operating conditions, vibration and shock, etc. Therefore, calculating the actual applied load accurately is extremely difficult. In general, the calculation is simplified by using coefficients representing these factors: hardness coefficient (fh), temperature coefficient (ft), contact coefficient (fc), and applied load coefficient (fw). Taking these coefficients into account, Equations (3) to (5) become Equations (6) to (8).

balls are used as the rolling element
 $L = \left(\frac{f_h \cdot f_t \cdot f_c \cdot C}{f_w \cdot P}\right)^3 \cdot 50$ (6)

rollers are used as the rolling element
 $L = \left(\frac{f_h \cdot f_t \cdot f_c \cdot C}{f_w \cdot P}\right)^{10/3} \cdot 50$ (7)

torque loading is present
 $L = \left(\frac{f_h \cdot f_t \cdot f_c \cdot C_T}{f_w \cdot T}\right)^3 \cdot 50$ (8)

L: rated life (km) fh: hardness coefficient
 ft: temperature coefficient fc: contact coefficient
 fw: applied load coefficient P: applied load (N)
 C: basic dynamic load rating (N)
 Cr: basic dynamic torque rating (N · m)
 T: applied torque (N · m)

When the travel distance per unit time is constant, the rated life can be expressed in terms of time (hour). Equation (9) shows the relationship between stroke length, number of cycles per minute, and the life time.

$$L_h = \frac{L \cdot 10^3}{2 \cdot \ell_s \cdot n_1 \cdot 60} \dots\dots\dots (9)$$

L_h: life time (hr) ℓ_s: stroke length (m)
n₁: number of cycles per minute (cpm)

Figure 1-2 Hardness Coefficient



Figure 1-3 Temperature Coefficient

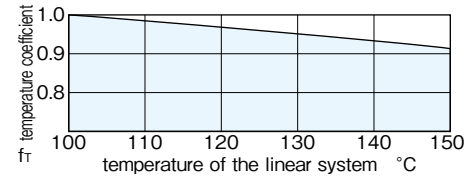


Table 1-2 Contact Coefficient

number of linear bearings in close contact on rail/shaft	contact coefficient f _c
1	1.00
2	0.81
3	0.72
4	0.66
5	0.61

Table 1-3 Applied Load Coefficient

operating conditions		applied load coefficient f _w
loading	velocity	
no shock and vibration	15 m/min or less	1.0~1.5
low shock and vibration	60 m/min or less	1.5~2.0
high shock and vibration	60 m/min or more	2.0~3.5

•Hardness Coefficient (f_H)

In the linear system, the guide rail or shaft works as race way of the rolling elements. Therefore, the hardness of the rail or shaft is an important factor in determining the rated load. The rated load decreases as the hardness decrease below 58HRC. NB products hold appropriate hardness by advanced heat treatment technology. In case of using the rail or shaft of insufficient hardness, please take the hardness coefficient (Figure 1-2) into the life calculation equation.

•Temperature Coefficient (f_T)

In order to give low wear characteristics NB products are hardened by heat treatment. If the temperature of the linear system exceeds 100°C, the hardness is decreased by tempering effect, so as the rated load decreases. Figure 1-3 shows the temperature coefficient as hardness changes with temperature.

•Contact Coefficient (f_c)

When more than one bearing is used in close contact, the contact coefficient should be taken into consideration due to the variation of products and the accuracy of the mounting surface. Table 1-2 shows the contact coefficient for life calculation.

•Applied Load Coefficient (f_w)

When calculating the applied load, the weight of the mass, inertial force, moment resulting from the motion, and the variation with time should be accurately estimated. However, it is very difficult to accurately estimate the applied load due to the existence of numerous variables, including the start/stop conditions of the reciprocating motion and of the shock/vibration. Estimation is simplified by using the values given in Table 1-3.

Calculation of Applied Load (1)

Tables 1-4 and 1-5 show the formulas of applied load calculation for typical applications.

W: applied load (N) P₁ - P₄: load applied to linear system (N) X,Y: linear system span (mm)
x, y, ℓ: distance to applied load or to working center of gravity (mm) g: gravitational acceleration (9.8 x 10³mm/s²)
V: velocity (mm/s) t₁: acceleration time (sec) t₂: deceleration time (sec)

Table 1-4 Applied Load Calculation (1)

	condition	applied load calculation formula
under static conditions or constant velocity motion	2 horizontal axes 	$P_1 = \frac{1}{4}W + \frac{X_0}{2X}W + \frac{Y_0}{2Y}W$ $P_2 = \frac{1}{4}W - \frac{X_0}{2X}W + \frac{Y_0}{2Y}W$ $P_3 = \frac{1}{4}W + \frac{X_0}{2X}W - \frac{Y_0}{2Y}W$ $P_4 = \frac{1}{4}W - \frac{X_0}{2X}W - \frac{Y_0}{2Y}W$ <p>Note : If the calculation results in a negative value, the loading direction is in the opposite direction.</p>
	2 horizontal axes, over-hang 	$P_1 = \frac{1}{4}W + \frac{X_0}{2X}W + \frac{Y_0}{2Y}W$ $P_2 = \frac{1}{4}W - \frac{X_0}{2X}W + \frac{Y_0}{2Y}W$ $P_3 = \frac{1}{4}W + \frac{X_0}{2X}W - \frac{Y_0}{2Y}W$ $P_4 = \frac{1}{4}W - \frac{X_0}{2X}W - \frac{Y_0}{2Y}W$ <p>Note : If the calculation results in a negative value, the loading direction is in the opposite direction.</p>
	2 horizontal axes, moving axes 	$P_1 = \frac{1}{4}W + \frac{X_0}{2X}W + \frac{Y_0}{2Y}W$ $P_2 = \frac{1}{4}W - \frac{X_0}{2X}W + \frac{Y_0}{2Y}W$ $P_3 = \frac{1}{4}W + \frac{X_0}{2X}W - \frac{Y_0}{2Y}W$ $P_4 = \frac{1}{4}W - \frac{X_0}{2X}W - \frac{Y_0}{2Y}W$ <p>Note : If the calculation results in a negative value, the loading direction is in the opposite direction.</p>

Table 1-5 Applied Load Calculation (2)

	condition	applied load calculation formula
under static conditions or constant velocity motion	2 horizontal, side axes 	$P_1=P_2=P_3=P_4=\frac{l_1}{2Y}W$ $P_{1s}=P_{3s}=\frac{1}{4}W+\frac{X_0}{2X}W$ $P_{2s}=P_{4s}=\frac{1}{4}W-\frac{X_0}{2X}W$
	2 vertical axes 	$P_1=P_2=P_3=P_4=\frac{l_1}{2X}W$ $P_{1s}=P_{2s}=P_{3s}=P_{4s}=\frac{l_2}{2X}W$
under constant acceleration conditions	2 horizontal axes 	under acceleration $P_1=P_3=\frac{1}{4}W\left(1+\frac{2V_1l_1}{gt_1X}\right)$ $P_2=P_4=\frac{1}{4}W\left(1-\frac{2V_1l_1}{gt_1X}\right)$ under deceleration $P_1=P_3=\frac{1}{4}W\left(1-\frac{2V_1l_1}{gt_3X}\right)$ $P_2=P_4=\frac{1}{4}W\left(1+\frac{2V_1l_1}{gt_3X}\right)$ under constant velocity $P_1=P_2=P_3=P_4=\frac{1}{4}W$ ※g: acceleration of gravity (9.8×10 ³ mm/sec ²)
	velocity diagram 	

• Equivalent Coefficient

The linear systems are generally used with two axes, each axis with a couple of bearings installed. However, due to a space limitation, there must be an application in which one axis with one or two bearings in close contact installed. In such a case, multiply the applied moment by the equivalent moment coefficient shown in Tables 1-7~1-25 for applied load calculation. The following is a formula for calculating the equivalent moment load when a moment is applied to the linear system.

$$P=E \cdot M$$

P: equivalent moment load per bearing (N)
 E: equivalent moment coefficient
 M: applied moment (N · mm)

Calculation of Applied Load (2)

Table 1-6 shows the formulas for determining the applied load when moment is applied to the linear system.

W: applied load (N) P: load applied to the linear system (N) l: distance to applied load or to working center of gravity (mm)

Table 1-6 Applied Load Calculation (3)

	condition	applied load calculation formula
1 axis application	1 horizontal axis, 1 bearing 	$P=W+E_{p1}Wl_1+E_rWl_2$ Ep: Mp equivalent coefficient with 1 bearing used Er: Mr equivalent coefficient
	1 sideways axis, 1 bearing 	$P=W+E_{y1}Wl_1+E_rWl_2$ Ey: My equivalent coefficient with 1 bearing used Er: Mr equivalent coefficient
	1 vertical axis, 1 bearing 	$P=E_{p1}Wl_1+E_{y1}Wl_2$ Ep: Mp equivalent coefficient with 1 bearing used Ey: My equivalent coefficient with 1 bearing used
2 axes application	2 horizontal axes, 1 bearing each 	$P=W/2+Wl_2/Y+E_{p1}Wl_1/2$ Ep: Mp equivalent coefficient with 1 bearing used Y: span between the two axes centers
	2 sideways axes, 1 bearing each 	$P=W/2+E_{y1}Wl_2/2+Wl_1/Y$ Ey: My equivalent coefficient with 1 bearing used Y: span between the two axes centers
	2 vertical axes, 1 bearing each 	$P=E_{p1}Wl_1/2+E_{y1}Wl_2/2$ Ep: Mp equivalent coefficient with 1 bearing used Ey: My equivalent coefficient with 1 bearing used

Table 1-7 Slide Guide SEB type

part number	equivalent coefficient				
	Ep ₁	Ep ₂	Ey ₁	Ey ₂	Er
SEBS 5B	6.64×10 ⁻¹	9.61×10 ⁻²	7.91×10 ⁻¹	1.15×10 ⁻¹	3.85×10 ⁻¹
SEBS 5BY	5.17×10 ⁻¹	8.38×10 ⁻²	6.16×10 ⁻¹	9.99×10 ⁻²	3.85×10 ⁻¹
SEBS 7B	4.62×10 ⁻¹	6.65×10 ⁻²	5.50×10 ⁻¹	7.93×10 ⁻²	2.74×10 ⁻¹
SEBS 7BY	2.84×10 ⁻¹	5.00×10 ⁻²	3.38×10 ⁻¹	5.96×10 ⁻²	2.74×10 ⁻¹
SEBS 9B	3.26×10 ⁻¹	5.26×10 ⁻²	3.88×10 ⁻¹	6.27×10 ⁻²	2.15×10 ⁻¹
SEBS 9BY	2.26×10 ⁻¹	4.14×10 ⁻²	2.69×10 ⁻¹	4.94×10 ⁻²	2.15×10 ⁻¹
SEBS12B	3.08×10 ⁻¹	4.71×10 ⁻²	3.67×10 ⁻¹	5.61×10 ⁻²	1.60×10 ⁻¹
SEBS12BY	2.02×10 ⁻¹	3.64×10 ⁻²	2.41×10 ⁻¹	4.33×10 ⁻²	1.60×10 ⁻¹
SEBS15B	2.31×10 ⁻¹	3.85×10 ⁻²	2.75×10 ⁻¹	4.58×10 ⁻²	1.29×10 ⁻¹
SEBS15BY	1.52×10 ⁻¹	2.90×10 ⁻²	1.81×10 ⁻¹	3.45×10 ⁻²	1.29×10 ⁻¹
SEBS20B	1.41×10 ⁻¹	2.47×10 ⁻²	1.68×10 ⁻¹	2.94×10 ⁻²	9.76×10 ⁻²
SEBS20BY	1.01×10 ⁻¹	1.95×10 ⁻²	1.20×10 ⁻¹	2.32×10 ⁻²	9.76×10 ⁻²
SEBS 5WB	4.51×10 ⁻¹	7.70×10 ⁻²	5.37×10 ⁻¹	9.17×10 ⁻²	1.96×10 ⁻¹
SEBS 5WBY	3.25×10 ⁻¹	6.15×10 ⁻²	3.88×10 ⁻¹	7.33×10 ⁻²	1.96×10 ⁻¹
SEBS 7WB	3.26×10 ⁻¹	5.26×10 ⁻²	3.88×10 ⁻¹	6.27×10 ⁻²	1.40×10 ⁻¹
SEBS 7WBY	2.26×10 ⁻¹	4.14×10 ⁻²	2.69×10 ⁻¹	4.94×10 ⁻²	1.40×10 ⁻¹
SEBS 9WB	2.41×10 ⁻¹	4.23×10 ⁻²	2.87×10 ⁻¹	5.04×10 ⁻²	1.08×10 ⁻¹
SEBS 9WBY	1.71×10 ⁻¹	3.31×10 ⁻²	2.03×10 ⁻¹	3.94×10 ⁻²	1.08×10 ⁻¹
SEBS12WB	2.17×10 ⁻¹	3.81×10 ⁻²	2.59×10 ⁻¹	4.55×10 ⁻²	8.16×10 ⁻²
SEBS12WBY	1.51×10 ⁻¹	2.94×10 ⁻²	1.79×10 ⁻¹	3.50×10 ⁻²	8.16×10 ⁻²
SEBS15WB	1.63×10 ⁻¹	3.03×10 ⁻²	1.94×10 ⁻¹	3.61×10 ⁻²	4.71×10 ⁻²
SEBS15WBY	1.13×10 ⁻¹	2.29×10 ⁻²	1.35×10 ⁻¹	2.73×10 ⁻²	4.71×10 ⁻²
SEBS 2A	7.06×10 ⁻¹	1.37×10 ⁻¹	5.92×10 ⁻¹	1.15×10 ⁻¹	9.09×10 ⁻¹
SEBS 3A	9.16×10 ⁻¹	1.49×10 ⁻¹	7.69×10 ⁻¹	1.25×10 ⁻¹	6.25×10 ⁻¹
SEBS 3AY	6.02×10 ⁻¹	1.13×10 ⁻¹	5.05×10 ⁻¹	9.48×10 ⁻²	6.25×10 ⁻¹
SEBS 5A	6.11×10 ⁻¹	1.01×10 ⁻¹	5.13×10 ⁻¹	8.46×10 ⁻²	3.85×10 ⁻¹
SEBS 5AY	4.65×10 ⁻¹	8.45×10 ⁻²	3.90×10 ⁻¹	7.09×10 ⁻²	3.85×10 ⁻¹
SEBS 7A	4.62×10 ⁻¹	7.48×10 ⁻²	3.87×10 ⁻¹	6.27×10 ⁻²	2.74×10 ⁻¹
SEBS 7AY	2.84×10 ⁻¹	5.49×10 ⁻²	2.38×10 ⁻¹	4.61×10 ⁻²	2.74×10 ⁻¹
SEB(S) 9A	3.32×10 ⁻¹	5.89×10 ⁻²	2.78×10 ⁻¹	4.94×10 ⁻²	2.20×10 ⁻¹
SEB(S) 9AY	2.25×10 ⁻¹	4.46×10 ⁻²	1.89×10 ⁻¹	3.74×10 ⁻²	2.20×10 ⁻¹
SEB(S) 12A	3.08×10 ⁻¹	5.62×10 ⁻²	2.58×10 ⁻¹	4.72×10 ⁻²	1.60×10 ⁻¹
SEB(S) 12AY	2.02×10 ⁻¹	4.11×10 ⁻²	1.70×10 ⁻¹	3.45×10 ⁻²	1.60×10 ⁻¹
SEB(S) 15A	2.31×10 ⁻¹	4.30×10 ⁻²	1.94×10 ⁻¹	3.61×10 ⁻²	1.29×10 ⁻¹
SEB(S) 15AY	1.52×10 ⁻¹	3.12×10 ⁻²	1.27×10 ⁻¹	2.62×10 ⁻²	1.29×10 ⁻¹
SEB(S) 20A	1.53×10 ⁻¹	3.03×10 ⁻²	1.28×10 ⁻¹	2.54×10 ⁻²	9.76×10 ⁻²
SEB(S) 20AY	1.01×10 ⁻¹	2.16×10 ⁻²	8.44×10 ⁻²	1.81×10 ⁻²	9.76×10 ⁻²

Ep₁: Mp equivalent coefficient with 1 block used Ep₂: Mp equivalent coefficient with 2 blocks used
 Ey₁: My equivalent coefficient with 1 block used Ey₂: My equivalent coefficient with 2 blocks used
 Er: Mr equivalent coefficient

Table 1-8 Slide Guide SEB and SER type

part number	equivalent coefficient				
	Ep ₁	Ep ₂	Ey ₁	Ey ₂	Er
SEBS 3WA	6.74×10 ⁻¹	1.14×10 ⁻¹	5.42×10 ⁻¹	9.58×10 ⁻²	3.23×10 ⁻¹
SEBS 3WAY	4.48×10 ⁻¹	8.78×10 ⁻²	3.76×10 ⁻¹	7.37×10 ⁻²	3.23×10 ⁻¹
SEBS 7WA(D)	3.26×10 ⁻¹	5.56×10 ⁻²	2.73×10 ⁻¹	4.67×10 ⁻²	1.40×10 ⁻¹
SEBS 7WAY	2.26×10 ⁻¹	4.32×10 ⁻²	1.90×10 ⁻¹	3.63×10 ⁻²	1.40×10 ⁻¹
SEB(S) 9WA(D)	2.41×10 ⁻¹	4.72×10 ⁻²	2.02×10 ⁻¹	3.96×10 ⁻²	1.08×10 ⁻¹
SEB(S) 9WAY	1.71×10 ⁻¹	3.58×10 ⁻²	1.43×10 ⁻¹	3.00×10 ⁻²	1.08×10 ⁻¹
SEB(S) 12WA	2.02×10 ⁻¹	4.13×10 ⁻²	1.70×10 ⁻¹	3.46×10 ⁻²	8.16×10 ⁻²
SEB(S) 12WAY	1.43×10 ⁻¹	3.10×10 ⁻²	1.20×10 ⁻¹	2.60×10 ⁻²	8.16×10 ⁻²
SEB(S) 15WA	1.63×10 ⁻¹	3.29×10 ⁻²	1.37×10 ⁻¹	2.76×10 ⁻²	4.71×10 ⁻²
SEB(S) 15WAY	1.13×10 ⁻¹	2.43×10 ⁻²	9.48×10 ⁻²	2.04×10 ⁻²	4.71×10 ⁻²
SER(S) 9A	2.49×10 ⁻¹	4.15×10 ⁻²	2.15×10 ⁻¹	3.58×10 ⁻²	1.50×10 ⁻¹
SER(S) 12A	2.50×10 ⁻¹	4.16×10 ⁻²	2.23×10 ⁻¹	3.71×10 ⁻²	1.33×10 ⁻¹
SER(S) 15A	1.99×10 ⁻¹	3.32×10 ⁻²	1.79×10 ⁻¹	2.98×10 ⁻²	1.05×10 ⁻¹
SER(S) 20A	1.66×10 ⁻¹	2.77×10 ⁻²	1.47×10 ⁻¹	2.45×10 ⁻²	6.49×10 ⁻²
SER(S) 9WA	1.52×10 ⁻¹	2.53×10 ⁻²	1.36×10 ⁻¹	2.26×10 ⁻²	7.17×10 ⁻²
SER(S) 12WA	1.42×10 ⁻¹	2.36×10 ⁻²	1.28×10 ⁻¹	2.13×10 ⁻²	5.86×10 ⁻²
SER(S) 15WA	1.60×10 ⁻¹	2.66×10 ⁻²	1.45×10 ⁻¹	2.41×10 ⁻²	4.15×10 ⁻²

Ep₁: Mp equivalent coefficient with 1 block used Ep₂: Mp equivalent coefficient with 2 blocks used
 Ey₁: My equivalent coefficient with 1 block used Ey₂: My equivalent coefficient with 2 blocks used
 Er: Mr equivalent coefficient

Table 1-9 Slide Guide SGL, GL, and SGW type

part number	equivalent coefficient				
	Ep ₁	Ep ₂	Ey ₁	Ey ₂	Er
SGL15F (E)	2.57×10 ⁻¹	3.75×10 ⁻²	2.57×10 ⁻¹	3.75×10 ⁻²	1.28×10 ⁻¹
SGL20F (E)	2.06×10 ⁻¹	3.31×10 ⁻²	2.06×10 ⁻¹	3.31×10 ⁻²	9.29×10 ⁻²
SGL25F (E)	1.72×10 ⁻¹	2.82×10 ⁻²	1.72×10 ⁻¹	2.82×10 ⁻²	8.31×10 ⁻²
SGL30F (E)	1.47×10 ⁻¹	2.27×10 ⁻²	1.47×10 ⁻¹	2.27×10 ⁻²	6.88×10 ⁻²
SGL35F (E)	1.29×10 ⁻¹	2.02×10 ⁻²	1.29×10 ⁻¹	2.02×10 ⁻²	5.46×10 ⁻²
SGL15TF (TE,HTF,HTE)	1.63×10 ⁻¹	2.87×10 ⁻²	1.63×10 ⁻¹	2.87×10 ⁻²	1.28×10 ⁻¹
SGL20TF (TE)	1.41×10 ⁻¹	2.59×10 ⁻²	1.41×10 ⁻¹	2.59×10 ⁻²	9.29×10 ⁻²
SGL25TF (TE,HTF,HTE)	1.09×10 ⁻¹	2.08×10 ⁻²	1.09×10 ⁻¹	2.08×10 ⁻²	8.31×10 ⁻²
SGL30TF (TE,HTF,HTE)	9.31×10 ⁻²	1.71×10 ⁻²	9.31×10 ⁻²	1.71×10 ⁻²	6.88×10 ⁻²
SGL35TF (TE,HTF,HTE)	8.15×10 ⁻²	1.51×10 ⁻²	8.15×10 ⁻²	1.51×10 ⁻²	5.46×10 ⁻²
SGL20HTF (HTE)	1.21×10 ⁻¹	2.33×10 ⁻²	1.21×10 ⁻¹	2.33×10 ⁻²	9.29×10 ⁻²
SGL45HTF (HTE)	6.52×10 ⁻²	1.23×10 ⁻²	6.52×10 ⁻²	1.23×10 ⁻²	4.38×10 ⁻²
SGL15HYF (HYE)	1.07×10 ⁻¹	2.12×10 ⁻²	1.07×10 ⁻¹	2.12×10 ⁻²	1.28×10 ⁻¹
SGL20HYF (HYE)	8.59×10 ⁻²	1.78×10 ⁻²	8.59×10 ⁻²	1.78×10 ⁻²	4.29×10 ⁻²
SGL25HYF (HYE)	7.53×10 ⁻²	1.56×10 ⁻²	7.53×10 ⁻²	1.56×10 ⁻²	8.31×10 ⁻²
SGL30HYF (HYE)	6.45×10 ⁻²	1.30×10 ⁻²	6.45×10 ⁻²	1.30×10 ⁻²	6.88×10 ⁻²
SGL35HYF (HYE)	5.65×10 ⁻²	1.15×10 ⁻²	5.65×10 ⁻²	1.15×10 ⁻²	5.46×10 ⁻²
SGL45HYF (HYE)	5.03×10 ⁻²	1.01×10 ⁻²	5.03×10 ⁻²	1.01×10 ⁻²	4.38×10 ⁻²
GL15F (E)	2.57×10 ⁻¹	3.75×10 ⁻²	2.57×10 ⁻¹	3.75×10 ⁻²	1.28×10 ⁻¹
GL20F (E)	2.06×10 ⁻¹	3.31×10 ⁻²	2.06×10 ⁻¹	3.31×10 ⁻²	9.29×10 ⁻²
GL25F (E)	1.72×10 ⁻¹	2.82×10 ⁻²	1.72×10 ⁻¹	2.82×10 ⁻²	8.31×10 ⁻²
GL30F (E)	1.47×10 ⁻¹	2.27×10 ⁻²	1.47×10 ⁻¹	2.27×10 ⁻²	6.88×10 ⁻²
GL35F (E)	1.29×10 ⁻¹	2.02×10 ⁻²	1.29×10 ⁻¹	2.02×10 ⁻²	5.46×10 ⁻²
GL15TF (TE,HTF,HTE)	1.63×10 ⁻¹	2.87×10 ⁻²	1.63×10 ⁻¹	2.87×10 ⁻²	1.28×10 ⁻¹
GL20TF (TE)	1.41×10 ⁻¹	2.59×10 ⁻²	1.41×10 ⁻¹	2.59×10 ⁻²	9.29×10 ⁻²
GL25TF (TE,HTF,HTE)	1.09×10 ⁻¹	2.08×10 ⁻²	1.09×10 ⁻¹	2.08×10 ⁻²	8.31×10 ⁻²
GL30TF (TE,HTF,HTE)	9.31×10 ⁻²	1.71×10 ⁻²	9.31×10 ⁻²	1.71×10 ⁻²	6.88×10 ⁻²
GL35TF (TE,HTF,HTE)	8.15×10 ⁻²	1.51×10 ⁻²	8.15×10 ⁻²	1.51×10 ⁻²	5.46×10 ⁻²
GL20HTF (HTE)	1.21×10 ⁻¹	2.33×10 ⁻²	1.21×10 ⁻¹	2.33×10 ⁻²	9.29×10 ⁻²
GL45HTF (HTE)	6.52×10 ⁻²	1.23×10 ⁻²	6.52×10 ⁻²	1.23×10 ⁻²	4.38×10 ⁻²
SGW17TF (TE)	2.00×10 ⁻¹	3.27×10 ⁻²	2.00×10 ⁻¹	3.27×10 ⁻²	5.34×10 ⁻²
SGW21TF (TE)	1.68×10 ⁻¹	2.90×10 ⁻²	1.68×10 ⁻¹	2.90×10 ⁻²	4.80×10 ⁻²
SGW27TF (TE)	1.26×10 ⁻¹	2.32×10 ⁻²	1.26×10 ⁻¹	2.32×10 ⁻²	4.35×10 ⁻²
SGW35TF (TE)	8.39×10 ⁻²	1.56×10 ⁻²	8.39×10 ⁻²	1.56×10 ⁻²	2.62×10 ⁻²

Ep₁: Mp equivalent coefficient with 1 block used Ep₂: Mp equivalent coefficient with 2 blocks used
 Ey₁: My equivalent coefficient with 1 block used Ey₂: My equivalent coefficient with 2 blocks used
 Er: Mr equivalent coefficient

Table 1-10 Ball Spline · Rotary Ball Spline

part number		equivalent coefficient	
		E ₁	E ₂
SSP 4	—	6.19×10 ⁻¹	1.18×10 ⁻¹
SSP 6	SPR 6	4.47×10 ⁻¹	5.70×10 ⁻²
SSP 8	SPR 8	3.88×10 ⁻¹	5.74×10 ⁻²
SSP 10	SPR 10	2.82×10 ⁻¹	4.37×10 ⁻²
SSP 13A	SPR 13	3.57×10 ⁻¹	4.49×10 ⁻²
SSP 16A	SPR 16	2.43×10 ⁻¹	3.75×10 ⁻²
SSP 20A	SPR 20A	1.48×10 ⁻¹	2.91×10 ⁻²
SSP 25A	SPR 25A	1.37×10 ⁻¹	2.27×10 ⁻²
SSP 30A	SPR 30A	1.28×10 ⁻¹	1.58×10 ⁻²
SSP 40A	SPR 40A	1.05×10 ⁻¹	1.28×10 ⁻²
SSP 50A	SPR 50A	9.41×10 ⁻²	1.59×10 ⁻²
SSP 60A	SPR 60A	9.02×10 ⁻²	1.45×10 ⁻²
SSP 80	—	6.70×10 ⁻²	1.21×10 ⁻²
SSP 80L	—	4.56×10 ⁻²	9.53×10 ⁻³
SSP100	—	5.92×10 ⁻²	1.03×10 ⁻²
SSP100L	—	4.06×10 ⁻²	7.90×10 ⁻³
SSP 20	SPR 20	1.79×10 ⁻¹	2.26×10 ⁻²
SSP 25	SPR 25	1.55×10 ⁻¹	1.94×10 ⁻²
SSP 30	SPR 30	1.28×10 ⁻¹	1.58×10 ⁻²
SSP 40	SPR 40	1.05×10 ⁻¹	1.28×10 ⁻²
SSP 50	SPR 50	1.07×10 ⁻¹	1.69×10 ⁻²
SSP 60	SPR 60	9.77×10 ⁻²	1.44×10 ⁻²

E₁: equivalent coefficient with 1 nut used
 E₂: equivalent coefficient with 2 nuts used

Table 1-11 Slide Bush SM type

part number	equivalent coefficient	
	E ₁	E ₂
SM 3	1.24	2.13×10 ⁻¹
SM 4	1.21	1.78×10 ⁻¹
SM 5	8.96×10 ⁻¹	1.40×10 ⁻¹
SM 6	7.29×10 ⁻¹	1.09×10 ⁻¹
SM 8s	7.19×10 ⁻¹	1.20×10 ⁻¹
SM 8	5.46×10 ⁻¹	8.42×10 ⁻²
SM 10	4.55×10 ⁻¹	7.02×10 ⁻²
SM 12	4.32×10 ⁻¹	6.64×10 ⁻²
SM 13	4.06×10 ⁻¹	6.21×10 ⁻²
SM 16	3.59×10 ⁻¹	5.46×10 ⁻²
SM 20	3.07×10 ⁻¹	4.70×10 ⁻²
SM 25	2.17×10 ⁻¹	3.33×10 ⁻²
SM 30	1.99×10 ⁻¹	3.07×10 ⁻²
SM 35	1.71×10 ⁻¹	2.70×10 ⁻²
SM 40	1.64×10 ⁻¹	2.51×10 ⁻²
SM 50	1.20×10 ⁻¹	1.89×10 ⁻²
SM 60	1.13×10 ⁻¹	1.75×10 ⁻²
SM 80	8.18×10 ⁻²	1.36×10 ⁻²
SM100	6.66×10 ⁻²	1.11×10 ⁻²
SM120	5.63×10 ⁻²	9.38×10 ⁻³
SM150	4.62×10 ⁻²	7.71×10 ⁻³

E₁: equivalent coefficient with 1 bush used
 E₂: equivalent coefficient with 2 bushes used

Table 1-12 Slide Bush SM-G-L type

part number	equivalent coefficient	
	E ₁	E ₂
SM 6G-LUU	4.14×10 ⁻¹	7.39×10 ⁻²
SM 8G-LUU	3.17×10 ⁻¹	5.90×10 ⁻²
SM10G-LUU	2.53×10 ⁻¹	4.78×10 ⁻²
SM12G-LUU	2.28×10 ⁻¹	4.47×10 ⁻²
SM13G-LUU	2.03×10 ⁻¹	4.03×10 ⁻²
SM16G-LUU	1.78×10 ⁻¹	3.45×10 ⁻²
SM20G-LUU	1.53×10 ⁻¹	3.06×10 ⁻²
SM25G-LUU	1.09×10 ⁻¹	2.17×10 ⁻²
SM30G-LUU	9.59×10 ⁻²	1.97×10 ⁻²

E₁: equivalent coefficient with 1 bush used
 E₂: equivalent coefficient with 2 bushes used

Table 1-13 Slide Bush SM-W type

part number	equivalent coefficient	
	E ₁	E ₂
SM 3W	4.12 × 10 ⁻¹	—
SM 4W	4.03 × 10 ⁻¹	—
SM 5W	2.99 × 10 ⁻¹	—
SM 6W	2.43 × 10 ⁻¹	—
SM 8W	1.82 × 10 ⁻¹	—
SM 10W	1.52 × 10 ⁻¹	—
SM 12W	1.44 × 10 ⁻¹	—
SM 13W	1.35 × 10 ⁻¹	—
SM 16W	1.19 × 10 ⁻¹	—
SM 20W	1.02 × 10 ⁻¹	—
SM 25W	7.24 × 10 ⁻²	—
SM 30W	6.63 × 10 ⁻²	—
SM 35W	5.70 × 10 ⁻²	—
SM 40W	5.47 × 10 ⁻²	—
SM 50W	4.01 × 10 ⁻²	—
SM 60W	3.77 × 10 ⁻²	—

E₁: equivalent coefficient with 1 bush used
E₂: equivalent coefficient with 2 bushes used

Table 1-14 Slide Bush TRF type

part number	equivalent coefficient	
	E ₁	E ₂
TRF 6	6.46 × 10 ⁻²	—
TRF 8	4.90 × 10 ⁻²	—
TRF10	4.07 × 10 ⁻²	—
TRF12	3.92 × 10 ⁻²	—
TRF13	3.66 × 10 ⁻²	—
TRF16	3.20 × 10 ⁻²	—
TRF20	2.80 × 10 ⁻²	—
TRF25	2.00 × 10 ⁻²	—
TRF30	1.85 × 10 ⁻²	—
TRF35	1.68 × 10 ⁻²	—
TRF40	1.45 × 10 ⁻²	—
TRF50	1.16 × 10 ⁻²	—
TRF60	1.11 × 10 ⁻²	—

E₁: equivalent coefficient with 1 bush used
E₂: equivalent coefficient with 2 bushes used

Table 1-15 Slide Bush KB type

part number	equivalent coefficient	
	E ₁	E ₂
KB 3	1.28	2.13 × 10 ⁻¹
KB 4	1.05	1.75 × 10 ⁻¹
KB 5	5.40 × 10 ⁻¹	9.00 × 10 ⁻²
KB 8	5.61 × 10 ⁻¹	8.00 × 10 ⁻²
KB10	4.21 × 10 ⁻¹	7.02 × 10 ⁻²
KB12	4.02 × 10 ⁻¹	6.20 × 10 ⁻²
KB16	3.77 × 10 ⁻¹	5.73 × 10 ⁻²
KB20	3.29 × 10 ⁻¹	4.49 × 10 ⁻²
KB25	2.14 × 10 ⁻¹	3.37 × 10 ⁻²
KB30	2.08 × 10 ⁻¹	2.96 × 10 ⁻²
KB40	1.64 × 10 ⁻¹	2.51 × 10 ⁻²
KB50	1.20 × 10 ⁻¹	1.89 × 10 ⁻²
KB60	1.21 × 10 ⁻¹	1.55 × 10 ⁻²
KB80	7.34 × 10 ⁻²	1.22 × 10 ⁻²
KB 8W	1.87 × 10 ⁻¹	—
KB12W	1.34 × 10 ⁻¹	—
KB16W	1.25 × 10 ⁻¹	—
KB20W	1.10 × 10 ⁻¹	—
KB25W	7.14 × 10 ⁻²	—
KB30W	6.96 × 10 ⁻²	—
KB40W	5.47 × 10 ⁻²	—
KB50W	4.02 × 10 ⁻²	—
KB60W	4.11 × 10 ⁻²	—

E₁: equivalent coefficient with 1 bush used
E₂: equivalent coefficient with 2 bushes used

Table 1-16 TOPBALL TK type

part number	equivalent coefficient	
	E ₁	E ₂
TK 8	4.83 × 10 ⁻¹	8.04 × 10 ⁻²
TK10	4.14 × 10 ⁻¹	6.90 × 10 ⁻²
TK12	3.65 × 10 ⁻¹	6.09 × 10 ⁻²
TK16	3.25 × 10 ⁻¹	5.42 × 10 ⁻²
TK20	2.53 × 10 ⁻¹	4.21 × 10 ⁻²
TK25	1.88 × 10 ⁻¹	3.13 × 10 ⁻²
TK30	1.65 × 10 ⁻¹	2.74 × 10 ⁻²
TK40	1.41 × 10 ⁻¹	2.34 × 10 ⁻²
TK50	1.09 × 10 ⁻¹	1.82 × 10 ⁻²

E₁: equivalent coefficient with 1 bush used
E₂: equivalent coefficient with 2 bushes used

Table 1-17 TOPBALL TW type

part number	equivalent coefficient	
	E ₁	E ₂
TW 3	8.70 × 10 ⁻¹	1.45 × 10 ⁻¹
TW 4	6.57 × 10 ⁻¹	1.09 × 10 ⁻¹
TW 6	5.17 × 10 ⁻¹	8.60 × 10 ⁻²
TW 8	3.55 × 10 ⁻¹	5.90 × 10 ⁻²
TW10	3.00 × 10 ⁻¹	5.00 × 10 ⁻²
TW12	2.66 × 10 ⁻¹	4.40 × 10 ⁻²
TW16	1.90 × 10 ⁻¹	3.10 × 10 ⁻²
TW20	1.66 × 10 ⁻¹	2.70 × 10 ⁻²
TW24	1.44 × 10 ⁻¹	2.40 × 10 ⁻²
TW32	1.08 × 10 ⁻¹	1.80 × 10 ⁻²

E₁: equivalent coefficient with 1 bush used
E₂: equivalent coefficient with 2 bushes used

Table 1-18 Slide Bush SW type

part number	equivalent coefficient	
	E ₁	E ₂
SWS 2	8.90 × 10 ⁻¹	1.48 × 10 ⁻¹
SWS 3	8.01 × 10 ⁻¹	1.33 × 10 ⁻¹
SW 4	7.95 × 10 ⁻¹	1.05 × 10 ⁻¹
SW 6	6.98 × 10 ⁻¹	9.75 × 10 ⁻²
SW 8	4.09 × 10 ⁻¹	6.23 × 10 ⁻²
SW10	3.54 × 10 ⁻¹	5.33 × 10 ⁻²
SW12	3.10 × 10 ⁻¹	4.76 × 10 ⁻²
SW16	2.29 × 10 ⁻¹	3.40 × 10 ⁻²
SW20	1.94 × 10 ⁻¹	3.01 × 10 ⁻²
SW24	1.69 × 10 ⁻¹	2.59 × 10 ⁻²
SW32	1.19 × 10 ⁻¹	1.87 × 10 ⁻²
SW40	9.23 × 10 ⁻²	1.54 × 10 ⁻²
SW48	7.84 × 10 ⁻²	1.31 × 10 ⁻²
SW64	5.47 × 10 ⁻²	9.11 × 10 ⁻³
SW 4W	2.65 × 10 ⁻¹	—
SW 6W	2.33 × 10 ⁻¹	—
SW 8W	1.37 × 10 ⁻¹	—
SW10W	1.18 × 10 ⁻¹	—
SW12W	1.03 × 10 ⁻¹	—
SW16W	7.62 × 10 ⁻²	—
SW20W	6.47 × 10 ⁻²	—
SW24W	5.62 × 10 ⁻²	—
SW32W	3.98 × 10 ⁻²	—

E₁: equivalent coefficient with 1 bush used
E₂: equivalent coefficient with 2 bushes used

Table 1-19 Slide Bush GM type

part number	equivalent coefficient	
	E ₁	E ₂
GM 6	6.43 × 10 ⁻¹	1.07 × 10 ⁻¹
GM 8	4.92 × 10 ⁻¹	8.20 × 10 ⁻²
GM10	4.21 × 10 ⁻¹	7.01 × 10 ⁻²
GM12	3.85 × 10 ⁻¹	6.41 × 10 ⁻²
GM13	3.77 × 10 ⁻¹	6.29 × 10 ⁻²
GM16	3.25 × 10 ⁻¹	5.42 × 10 ⁻²
GM20	2.74 × 10 ⁻¹	4.57 × 10 ⁻²
GM25	1.98 × 10 ⁻¹	3.30 × 10 ⁻²
GM30	1.81 × 10 ⁻¹	3.02 × 10 ⁻²
GM 6W	3.53 × 10 ⁻¹	—
GM 8W	2.38 × 10 ⁻¹	—
GM10W	2.20 × 10 ⁻¹	—
GM12W	2.07 × 10 ⁻¹	—
GM13W	1.94 × 10 ⁻¹	—
GM16W	1.70 × 10 ⁻¹	—
GM20W	1.37 × 10 ⁻¹	—
GM25W	9.02 × 10 ⁻²	—
GM30W	9.55 × 10 ⁻²	—

E₁: equivalent coefficient with 1 bush used
E₂: equivalent coefficient with 2 bushes used

Table 1-20 Slide Rotary Bush

part number	equivalent coefficient	
	E ₁	E ₂
SRE 6	6.83 × 10 ⁻¹	1.14 × 10 ⁻¹
SRE 8	4.98 × 10 ⁻¹	8.31 × 10 ⁻²
SRE10	4.12 × 10 ⁻¹	6.86 × 10 ⁻²
SRE12	4.19 × 10 ⁻¹	6.98 × 10 ⁻²
SRE13	3.93 × 10 ⁻¹	6.54 × 10 ⁻²
SRE16	3.40 × 10 ⁻¹	5.66 × 10 ⁻²
SRE20	2.90 × 10 ⁻¹	4.84 × 10 ⁻²
SRE25	1.98 × 10 ⁻¹	3.29 × 10 ⁻²
SRE30	1.80 × 10 ⁻¹	3.01 × 10 ⁻²
SRE40	1.52 × 10 ⁻¹	2.54 × 10 ⁻²
RK12	4.32 × 10 ⁻¹	6.64 × 10 ⁻²
RK16	3.59 × 10 ⁻¹	5.46 × 10 ⁻²
RK20	3.07 × 10 ⁻¹	4.70 × 10 ⁻²
RK25	2.17 × 10 ⁻¹	3.33 × 10 ⁻²
RK30	1.99 × 10 ⁻¹	3.07 × 10 ⁻²

E₁: equivalent coefficient with 1 bush used
E₂: equivalent coefficient with 2 bushes used

● Average Applied Load

The load applied to a linear system generally varies with the travel distance depending on how the system is operated. This includes the start/stop processes of the reciprocating motion and work on the system. The average applied load is used to compute the life corresponding to the actual application conditions.

① When the load varies in a step manner with the travel distance (Figure 1-7).

- l_1 is the travel distance under load P_1
- l_2 is the travel distance under load P_2
- ⋮
- l_n is the travel distance under load P_n

The average applied load P_m is obtained by the following equation.

$$P_m = \sqrt[3]{\frac{1}{l} (P_1^3 l_1 + P_2^3 l_2 \cdots + P_n^3 l_n)} \cdots (10)$$

P_m : average applied load (N) l : total travel distance (m)

② When the applied load varies linearly with the travel distance (Figure 1-8), the average applied load P_m is approximated by the following equation.

$$P_m \doteq \frac{1}{3} (P_{min} + 2P_{max}) \cdots \cdots (11)$$

P_{min} : minimum applied load (N)
 P_{max} : maximum applied load (N)

③ When the applied load draws a sine-curve as shown by Figures 1-9 (a) and (b), the average applied load P_m is approximated by the following equations.

Figure 1-9 (a) $P_m \doteq 0.65P_{max} \cdots \cdots (12)$

Figure 1-9 (b) $P_m \doteq 0.75P_{max} \cdots \cdots (13)$

Figure 1-7 Applied Load Varies Stepwise

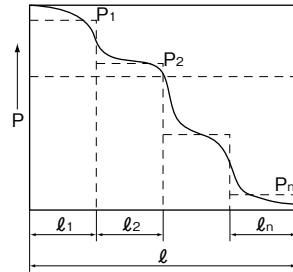


Figure 1-8 Applied Load Varies Linearly

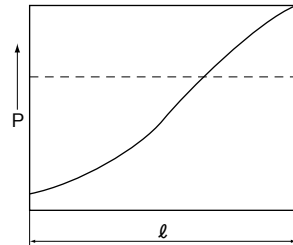
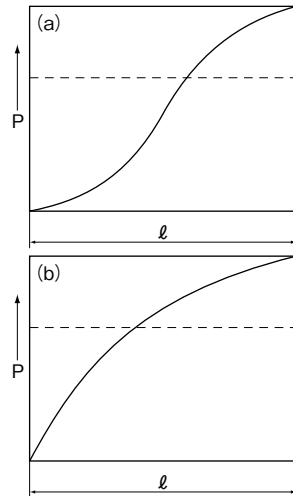


Figure 1-9 Applied Load Varies Sine-Curve



RATED LIFE CALCULATION EXAMPLE 1

2 Horizontal Axes, 2 Blocks each, Considering Acceleration/Deceleration

Operating Conditions

- part number: SGL15F/E
- basic dynamic load rating $C=7.29\text{kN}$
- basic static load rating $C_0=9.4\text{kN}$
- guide block span: $L_{unit}=100\text{mm}$
- guide rail span: $L_{rail}=100\text{mm}$
- drive: $Y_d=10\text{mm}$
- $Z_d=30\text{mm}$
- mass: $m_1=30\text{kg}$ $X_1=15\text{mm}$
- $Y_1=-20\text{mm}$
- $Z_1=20\text{mm}$
- $m_2=15\text{kg}$ $X_2=80\text{mm}$
- $Y_2=50\text{mm}$
- $Z_2=100\text{mm}$
- velocity: $V_{max}=200\text{mm/s}$
- time: $t_1=0.2\text{s}$
- $t_2=3.3\text{s}$
- $t_3=0.2\text{s}$
- acceleration: $a_1=1.0\text{m/s}^2$
- $a_3=1.0\text{m/s}^2$
- stroke: $L_s=700\text{mm}$
- number of cycles per minute: $n_1=8\text{cpm}$

Figure 1-10

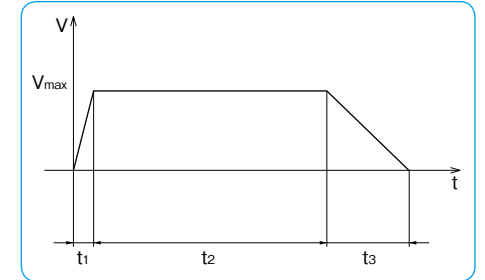
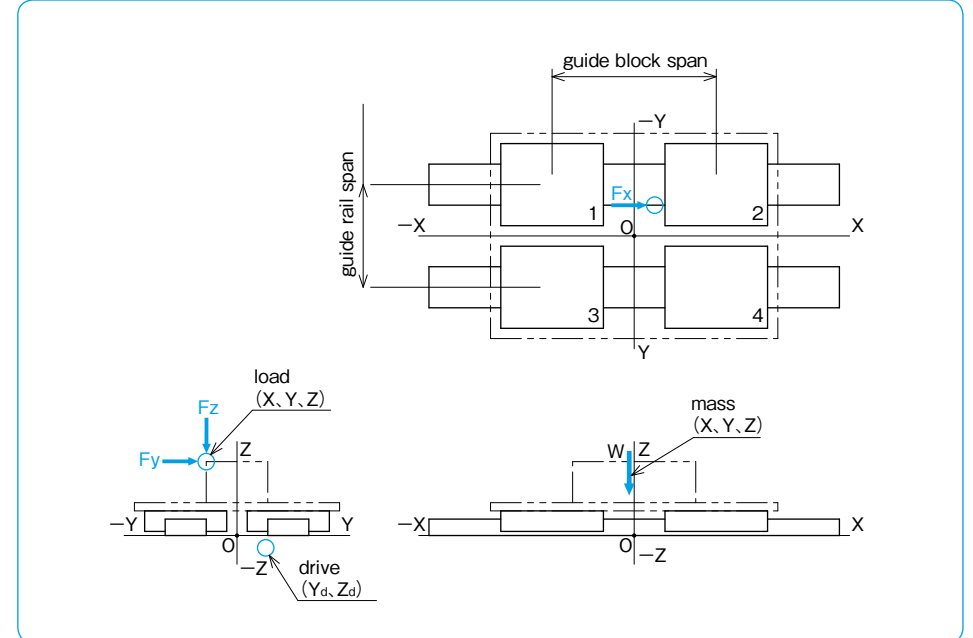


Figure 1-11



① Calculating Moment Applied to the Unit

(acceleration)

pitching $Ma_1 = m \cdot g \cdot X_m - m \cdot a_1 \cdot (Z_m - Z_d)$

$Ma_1 = 30 \times 9.8 \times (15) - 30 \times 1 \times \{(20) - (30)\} + 15 \times 9.8 \times (80) - 15 \times 1 \times \{(100) - (30)\} = 15431 \text{ N} \cdot \text{mm}$

yawing $Ma_2 = -m \cdot a_1 \cdot (Y_m - Y_d)$

$Ma_2 = -30 \times 1 \times \{(-20) - (10)\} - 15 \times 1 \times \{(50) - (10)\} = 300 \text{ N} \cdot \text{mm}$

rolling $Ma_3 = m \cdot g \cdot Y_m$

$Ma_3 = 30 \times 9.8 \times (-20) + 15 \times 9.8 \times (50) = 1471 \text{ N} \cdot \text{mm}$

(constant)

pitching $M_1 = m \cdot g \cdot X_m$

$M_1 = 30 \times 9.8 \times (15) + 15 \times 9.8 \times (80) = 16181 \text{ N} \cdot \text{mm}$

yawing $M_2 = 0$

rolling $M_3 = m \cdot g \cdot Y_m$

$M_3 = 30 \times 9.8 \times (-20) + 15 \times 9.8 \times (50) = 1471 \text{ N} \cdot \text{mm}$

(deceleration)

pitching $Md_1 = m \cdot g \cdot X_m + m \cdot a_3 \cdot (Z_m - Z_d)$

$Md_1 = 30 \times 9.8 \times (15) + 30 \times 1 \times \{(20) - (30)\} + 15 \times 9.8 \times (80) + 15 \times 1 \times \{(100) - (30)\} = 16931 \text{ N} \cdot \text{mm}$

yawing $Md_2 = m \cdot a_3 \cdot (Y_m - Y_d)$

$Md_2 = 30 \times 1 \times \{(-20) - (10)\} + 15 \times 1 \times \{(50) - (10)\} = -300 \text{ N} \cdot \text{mm}$

rolling $Md_3 = m \cdot g \cdot Y_m$

$Md_3 = 30 \times 9.8 \times (-20) + 15 \times 9.8 \times (50) = 1471 \text{ N} \cdot \text{mm}$

② Calculating Load Applied to the Guide Block

(acceleration)

Block 1

vertical direction $F_{ra1} = \frac{m \cdot g}{4} - \frac{Ma_1}{2 \cdot L_{unit}} + \frac{Ma_3}{2 \cdot L_{rail}}$

$F_{ra1} = \frac{30 \times 9.8}{4} + \frac{15 \times 9.8}{4} - \frac{15431}{2 \times 100} + \frac{1471}{2 \times 100} = 40.5 \text{ N}$

horizontal direction $F_{sa1} = \frac{Ma_2}{2 \cdot L_{unit}}$

$F_{sa1} = \frac{300}{2 \times 100} = 1.5 \text{ N}$

Block 2

vertical direction $F_{ra2} = \frac{m \cdot g}{4} + \frac{Ma_1}{2 \cdot L_{unit}} + \frac{Ma_3}{2 \cdot L_{rail}}$

$F_{ra2} = \frac{30 \times 9.8}{4} + \frac{15 \times 9.8}{4} + \frac{15431}{2 \times 100} + \frac{1471}{2 \times 100} = 194.8 \text{ N}$

horizontal direction $F_{sa2} = -\frac{Ma_2}{2 \cdot L_{unit}}$

$F_{sa2} = -\frac{300}{2 \times 100} = -1.5 \text{ N}$

Block 3

vertical direction $F_{ra3} = \frac{m \cdot g}{4} - \frac{Ma_1}{2 \cdot L_{unit}} - \frac{Ma_3}{2 \cdot L_{rail}}$

$F_{ra3} = \frac{30 \times 9.8}{4} + \frac{15 \times 9.8}{4} - \frac{15431}{2 \times 100} - \frac{1471}{2 \times 100} = 25.8 \text{ N}$

horizontal direction $F_{sa3} = \frac{Ma_2}{2 \cdot L_{unit}}$

$F_{sa3} = \frac{300}{2 \times 100} = 1.5 \text{ N}$

Block 4

vertical direction $F_{ra4} = \frac{m \cdot g}{4} + \frac{Ma_1}{2 \cdot L_{unit}} - \frac{Ma_3}{2 \cdot L_{rail}}$

$F_{ra4} = \frac{30 \times 9.8}{4} + \frac{15 \times 9.8}{4} + \frac{15431}{2 \times 100} - \frac{1471}{2 \times 100} = 180.1 \text{ N}$

horizontal direction $F_{sa4} = -\frac{Ma_2}{2 \cdot L_{unit}}$

$F_{sa4} = -\frac{300}{2 \times 100} = -1.5 \text{ N}$

(constant)

Block 1

vertical direction $F_{r1} = \frac{m \cdot g}{4} - \frac{Md_1}{2 \cdot L_{unit}} + \frac{Md_3}{2 \cdot L_{rail}}$

$F_{r1} = \frac{30 \times 9.8}{4} + \frac{15 \times 9.8}{4} - \frac{16181}{2 \times 100} + \frac{1471}{2 \times 100} = 36.8 \text{ N}$

horizontal direction $F_{s1} = \frac{M_2}{2 \cdot L_{unit}}$

Block 2

vertical direction $F_{r2} = \frac{m \cdot g}{4} + \frac{M_1}{2 \cdot L_{unit}} + \frac{M_3}{2 \cdot L_{rail}}$

$F_{r2} = \frac{30 \times 9.8}{4} + \frac{15 \times 9.8}{4} + \frac{16181}{2 \times 100} + \frac{1471}{2 \times 100} = 198.6 \text{ N}$

horizontal direction $F_{s2} = -\frac{M_2}{2 \cdot L_{unit}}$

Block 3

vertical direction $F_{r3} = \frac{m \cdot g}{4} - \frac{M_1}{2 \cdot L_{unit}} - \frac{M_3}{2 \cdot L_{rail}}$

$F_{r3} = \frac{30 \times 9.8}{4} + \frac{15 \times 9.8}{4} - \frac{16181}{2 \times 100} - \frac{1471}{2 \times 100} = 22.1 \text{ N}$

horizontal direction $F_{s3} = \frac{M_2}{2 \cdot L_{unit}}$

Block 4

vertical direction $F_{r4} = \frac{m \cdot g}{4} + \frac{M_1}{2 \cdot L_{unit}} - \frac{M_3}{2 \cdot L_{rail}}$

$F_{r4} = \frac{30 \times 9.8}{4} + \frac{15 \times 9.8}{4} + \frac{16181}{2 \times 100} - \frac{1471}{2 \times 100} = 183.9 \text{ N}$

horizontal direction $F_{s4} = -\frac{M_2}{2 \cdot L_{unit}}$

(deceleration)

Block 1
vertical direction $F_{rd1} = \frac{m \cdot g}{4} - \frac{Md_1}{2 \cdot L_{unit}} + \frac{Md_3}{2 \cdot L_{rail}}$
 $F_{rd1} = \frac{30 \times 9.8}{4} + \frac{15 \times 9.8}{4} - \frac{16931}{2 \times 100} + \frac{1471}{2 \times 100} = 33.0N$

horizontal direction $F_{sd1} = \frac{Md_2}{2 \cdot L_{unit}}$
 $F_{sd1} = \frac{-300}{2 \times 100} = -1.5N$

Block 2
vertical direction $F_{rd2} = \frac{m \cdot g}{4} + \frac{Md_1}{2 \cdot L_{unit}} + \frac{Md_3}{2 \cdot L_{rail}}$
 $F_{rd2} = \frac{30 \times 9.8}{4} + \frac{15 \times 9.8}{4} + \frac{16931}{2 \times 100} + \frac{1471}{2 \times 100} = 202.3N$

horizontal direction $F_{sd2} = -\frac{Md_2}{2 \cdot L_{unit}}$
 $F_{sd2} = -\frac{-300}{2 \times 100} = 1.5N$

Block 3
vertical direction $F_{rd3} = \frac{m \cdot g}{4} - \frac{Md_1}{2 \cdot L_{unit}} - \frac{Md_3}{2 \cdot L_{rail}}$
 $F_{rd3} = \frac{30 \times 9.8}{4} + \frac{15 \times 9.8}{4} - \frac{16931}{2 \times 100} - \frac{1471}{2 \times 100} = 18.3N$

horizontal direction $F_{sd3} = \frac{Md_2}{2 \cdot L_{unit}}$
 $F_{sd3} = \frac{-300}{2 \times 100} = -1.5N$

Block 4
vertical direction $F_{rd4} = \frac{m \cdot g}{4} + \frac{Md_1}{2 \cdot L_{unit}} - \frac{Md_3}{2 \cdot L_{rail}}$
 $F_{rd4} = \frac{30 \times 9.8}{4} + \frac{15 \times 9.8}{4} + \frac{16931}{2 \times 100} - \frac{1471}{2 \times 100} = 187.6N$

horizontal direction $F_{sd4} = -\frac{Md_2}{2 \cdot L_{unit}}$
 $F_{sd4} = -\frac{-300}{2 \times 100} = 1.5N$

③ Calculating Equivalent Load

©Pr in the vertical direction and Ps in the horizontal direction are calculated by the following equations.

$Pr = |Fr|$

$Ps = |k \cdot Fs|$

k=1 for SGL guide

Table 1-26

	acceleration	constant	deceleration
block 1	Pra1=40.5	Pr1=36.8	Prd1=33.0
	Psa1=1.5	Ps1=0	Psd1=1.5
block 2	Pra2=194.8	Pr2=198.6	Prd2=202.3
	Psa2=1.5	Ps2=0	Psd2=1.5
block 3	Pra3=25.8	Pr3=22.1	Prd3=18.3
	Psa3=1.5	Ps3=0	Psd3=1.5
block 4	Pra4=180.1	Pr4=183.9	Prd4=187.6
	Psa4=1.5	Ps4=0	Psd4=1.5

©Equation for Dynamic Equivalent Load

$P = Pr + Ps$

Pa1=Pr1+Ps1=40.5+1.5=42.0 (N)
calculating in the same manner

Table 1-27

	acceleration	constant	deceleration
block 1	Pa1=42.0	P1=36.8	Pd1=34.5
block 2	Pa2=196.3	P2=198.6	Pd2=203.8
block 3	Pa3=27.3	P3=22.1	Pd3=19.8
block 4	Pa4=181.6	P4=183.9	Pd4=189.1

©Calculating Average Equivalent Load

$P_m = \sqrt[3]{\frac{1}{L_s} \times \left\{ (Pa^3 \times \frac{V_{max} \times t_1}{2}) + (P^3 \times V_{max} \times t_2) + (Pd^3 \times \frac{V_{max} \times t_3}{2}) \right\}}$

$P_{m1} = \sqrt[3]{\frac{1}{700} \times \left\{ (42.0^3 \times \frac{200 \times 0.2}{2}) + (36.8^3 \times 200 \times 3.3) + (34.5^3 \times \frac{200 \times 0.2}{2}) \right\}} = 36.9(N)$

$P_{m2} = \sqrt[3]{\frac{1}{700} \times \left\{ (196.3^3 \times \frac{200 \times 0.2}{2}) + (198.6^3 \times 200 \times 3.3) + (203.8^3 \times \frac{200 \times 0.2}{2}) \right\}} = 198.7(N)$

$P_{m3} = \sqrt[3]{\frac{1}{700} \times \left\{ (27.3^3 \times \frac{200 \times 0.2}{2}) + (22.1^3 \times 200 \times 3.3) + (19.8^3 \times \frac{200 \times 0.2}{2}) \right\}} = 22.2(N)$

$P_{m4} = \sqrt[3]{\frac{1}{700} \times \left\{ (181.6^3 \times \frac{200 \times 0.2}{2}) + (183.9^3 \times 200 \times 3.3) + (189.1^3 \times \frac{200 \times 0.2}{2}) \right\}} = 184.0(N)$

④ Calculating Rated Life

Decide each coefficient

- hardness coefficient $f_H=1$ for hardness of guide is 58HRC or more
- temperature coefficient $f_T=1$ operating temperature is below 100°C (80°C is maximum for SGL guide)
- contact coefficient $f_C=1$ for blocks are not in close contact
- applied load coefficient $f_W=1.5$ for $V_{max}=200mm/s$

©Calculating Rated Life

Selecting Block 2 that carries the maximum dynamic equivalent load

$L = \left(\frac{f_H \times f_T \times f_C}{f_W} \times \frac{C}{P_m} \right)^3 \times 50$

$L = \left(\frac{1 \times 1 \times 1}{1.5} \times \frac{7290}{198.7} \right)^3 \times 50 = 731619(km)$

©Calculating Life Time

$L_h = \frac{L \times 10^3}{2 \times l_s \times n_1 \times 60}$

$L_h = \frac{731619 \times 10^3}{2 \times 0.7 \times 8 \times 60} = 1088719(hour)$

⑤ Calculating Static Safety Factor

©Equation for Static Equivalent Load

$$P_o = P_r + P_s$$

$P_{oa1} = P_{ra1} + P_{sa1} = 40.5 + 1.5 = 42.0$ (N)
calculating in the same manner

Table 1-28

	acceleration	constant	deceleration
block 1	$P_{oa1} = 42.0$	$P_{o1} = 36.8$	$P_{od1} = 34.5$
block 2	$P_{oa2} = 196.3$	$P_{o2} = 198.6$	$P_{od2} = 203.8$
block 3	$P_{oa3} = 27.3$	$P_{o3} = 22.1$	$P_{od3} = 19.8$
block 4	$P_{oa4} = 181.6$	$P_{o4} = 183.9$	$P_{od4} = 189.1$

Selecting Block 2 that carries the maximum static equivalent load

$$f_s = \frac{C_o}{P_o}$$

$$f_s = \frac{C_o}{P_{oa1}} = \frac{9400}{203.8} = 46$$

RATED LIFE CALCULATION EXAMPLE 2

1 Horizontal Axis, 2 Blocks, Considering Acceleration/Deceleration

Operating Conditions

part number: SEB9A

basic dynamic load rating $C = 1.92\text{kN}$

basic static load rating $C_o = 2.53\text{kN}$

guide block span: $L_{unit} = 70\text{mm}$

drive: $Y_d = 30\text{mm}$

$Z_d = -5\text{mm}$

mass: $m_1 = 5\text{kg}$ $X_1 = 0\text{mm}$

$Y_1 = 0\text{mm}$

$Z_1 = 10\text{mm}$

$m_2 = 20\text{kg}$ $X_2 = -20\text{mm}$

$Y_2 = -10\text{mm}$

$Z_2 = 20\text{mm}$

velocity: $V_{max} = 150\text{mm/s}$

time: $t_1 = 0.1\text{s}$

$t_2 = 1.9\text{s}$

$t_3 = 0.1\text{s}$

acceleration: $a_1 = 1.5\text{m/s}^2$

$a_3 = 1.5\text{m/s}^2$

stroke: $L_s = 300\text{mm}$

number of cycles per minute: $n_1 = 14\text{cpm}$

Figure 1-12

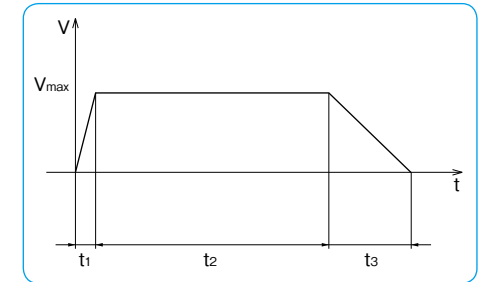
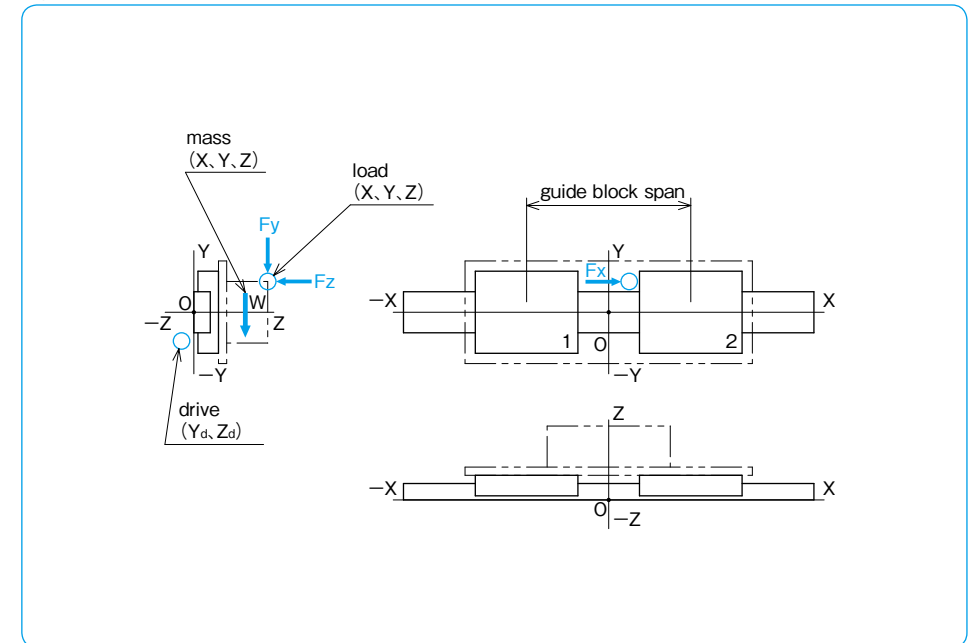


Figure 1-13



① Calculating Moment Applied to the Unit

<acceleration>

pitching $Ma_1 = m \cdot g \cdot Xm - m \cdot a_1 \cdot (Zm - Zd)$

$$Ma_1 = 5 \times 9.8 \times (0) - 5 \times 1.5 \times \{(10) - (-5)\} + 20 \times 9.8 \times (-20) - 20 \times 1.5 \times \{(20) - (-5)\} = -4785 \text{ N} \cdot \text{mm}$$

yawing $Ma_2 = -m \cdot a_1 \cdot (Ym - Yd)$

$$Ma_2 = -5 \times 1.5 \times \{(0) - (30)\} - 20 \times 1.5 \times \{(-10) - (30)\} = 1425 \text{ N} \cdot \text{mm}$$

rolling $Ma_3 = m \cdot g \cdot Ym$

$$Ma_3 = 5 \times 9.8 \times (0) + 20 \times 9.8 \times (-10) = -1961 \text{ N} \cdot \text{mm}$$

<constant>

pitching $M_1 = m \cdot g \cdot Xm$

$$M_1 = 5 \times 9.8 \times (0) + 20 \times 9.8 \times (-20) = -3923 \text{ N} \cdot \text{mm}$$

yawing $M_2 = 0$

$$M_2 = 0 \text{ N} \cdot \text{mm}$$

rolling $M_3 = m \cdot g \cdot Ym$

$$M_3 = 5 \times 9.8 \times (0) + 20 \times 9.8 \times (-10) = -1961 \text{ N} \cdot \text{mm}$$

<deceleration>

pitching $Md_1 = m \cdot g \cdot Xm + m \cdot a_3 \cdot (Zm - Zd)$

$$Md_1 = 5 \times 9.8 \times (0) + 5 \times 1.5 \times \{(10) - (-5)\} + 20 \times 9.8 \times (-20) + 20 \times 1.5 \times \{(20) - (-5)\} = -3060 \text{ N} \cdot \text{mm}$$

yawing $Md_2 = m \cdot a_3 \cdot (Ym - Yd)$

$$Md_2 = 5 \times 1.5 \times \{(0) - (30)\} + 20 \times 1.5 \times \{(-10) - (30)\} = -1425 \text{ N} \cdot \text{mm}$$

rolling $Md_3 = m \cdot g \cdot Ym$

$$Md_3 = 5 \times 9.8 \times (0) + 20 \times 9.8 \times (-10) = -1961 \text{ N} \cdot \text{mm}$$

② Calculating Load Applied to the Guide Block

<acceleration>

Block 1

vertical direction $Fra_1 = \frac{m \cdot g}{2} - \frac{Ma_1}{L_{unit}}$

$$Fra_1 = \frac{5 \times 9.8}{2} + \frac{20 \times 9.8}{2} - \frac{-4785}{70} = 190.9 \text{ N}$$

horizontal direction $Fsa_1 = \frac{Ma_2}{L_{unit}}$

$$Fsa_1 = \frac{1425}{70} = 20.4 \text{ N}$$

rolling moment $Mra_1 = \frac{Ma_3}{2}$

$$Mra_1 = \frac{-1961}{2} = -981 \text{ N} \cdot \text{mm}$$

Block 2

vertical direction $Fra_2 = \frac{m \cdot g}{2} + \frac{Ma_1}{L_{unit}}$

$$Fra_2 = \frac{5 \times 9.8}{2} + \frac{20 \times 9.8}{2} + \frac{-4785}{70} = 54.2 \text{ N}$$

horizontal direction $Fsa_2 = \frac{Ma_2}{L_{unit}}$

$$Fsa_2 = \frac{-1425}{70} = -20.4 \text{ N}$$

rolling moment $Mra_2 = \frac{Ma_3}{2}$

$$Mra_2 = \frac{-1961}{2} = -981 \text{ N} \cdot \text{mm}$$

<constant>

Block 1

vertical direction $Fr_1 = \frac{m \cdot g}{2} - \frac{M_1}{L_{unit}}$

$$Fr_1 = \frac{5 \times 9.8}{2} + \frac{20 \times 9.8}{2} - \frac{-3923}{70} = 178.6 \text{ N}$$

horizontal direction $Fs_1 = \frac{M_2}{L_{unit}}$

rolling moment $Mr_1 = \frac{M_3}{2}$

$$Mr_1 = \frac{-1961}{2} = -981 \text{ N} \cdot \text{mm}$$

Block 2

vertical direction $Fr_2 = \frac{m \cdot g}{2} + \frac{M_1}{L_{unit}}$

$$Fr_2 = \frac{5 \times 9.8}{2} + \frac{20 \times 9.8}{2} + \frac{-3923}{70} = 66.5 \text{ N}$$

horizontal direction $Fs_2 = -\frac{M_2}{L_{unit}}$

rolling moment $Mr_2 = \frac{M_3}{2}$

$$Mr_2 = \frac{-1961}{2} = -981 \text{ N} \cdot \text{mm}$$

<deceleration>

Block 1

vertical direction $F_{rd1} = \frac{m \cdot g}{2} - \frac{Md_1}{L_{unit}}$

$$F_{rd1} = \frac{5 \times 9.8}{2} + \frac{20 \times 9.8}{2} - \frac{-3060}{70} = 166.3 \text{ N}$$

horizontal direction $F_{sd1} = \frac{Md_2}{L_{unit}}$

$$F_{sd1} = \frac{-1425}{70} = -20.4 \text{ N}$$

rolling moment $M_{rd1} = \frac{Md_3}{2}$

$$M_{rd1} = \frac{-1961}{2} = -981 \text{ N} \cdot \text{mm}$$

Block 2

vertical direction $F_{rd2} = \frac{m \cdot g}{2} + \frac{Md_1}{L_{unit}}$

$$F_{rd2} = \frac{5 \times 9.8}{2} + \frac{20 \times 9.8}{2} + \frac{-3060}{70} = 78.9 \text{ N}$$

horizontal direction $F_{sd2} = -\frac{Md_2}{L_{unit}}$

$$F_{sd2} = -\frac{-1425}{70} = 20.4 \text{ N}$$

rolling moment $M_{rd2} = \frac{Md_3}{2}$

$$M_{rd2} = \frac{-1961}{2} = -981 \text{ N} \cdot \text{mm}$$

③ Calculating Equivalent Load

Pr in the vertical direction and Ps in the horizontal direction are calculated by the following equations.

$$Pr = |Fr| + |Er \cdot Mr|$$

$$Ps = |k \cdot Fs|$$

Er=0.220 for SEB9A
k=0.84 for SEB-A guide

Pr_{a1} = |Fr_{a1}| + |Er · Mr_{a1}| = |190.9| + |0.220 × (-981)| = 406.7 (N)
calculating in the same manner

Table 1-29

	acceleration	constant	deceleration
block 1	Pr _{a1} = 406.7	Pr ₁ = 394.4	Pr _{d1} = 382.1
	Ps _{a1} = 17.1	Ps ₁ = 0	Ps _{d1} = 17.1
block 2	Pr _{a2} = 270.0	Pr ₂ = 282.3	Pr _{d2} = 294.7
	Ps _{a2} = 17.1	Ps ₂ = 0	Ps _{d2} = 17.1

Equation for Dynamic Equivalent Load

$$P = Pr + Ps$$

Pa₁ = Pr_{a1} + Ps_{a1} = 406.7 + 17.1 = 423.8 (N)
calculating in the same manner

Table 1-30

	acceleration	constant	deceleration
block 1	Pa ₁ = 416.7	P ₁ = 394.2	Pd ₁ = 392.1
block 2	Pa ₂ = 280	P ₂ = 282.1	Pd ₂ = 304.7

Calculating Average Equivalent Load

$$Pm = \sqrt[3]{\frac{1}{Ls} \times \left\{ (Pa^3 \times \frac{V_{max} \times t_1}{2}) + (P^3 \times V_{max} \times t_2) + (Pd^3 \times \frac{V_{max} \times t_3}{2}) \right\}}$$

$$Pm_1 = \sqrt[3]{\frac{1}{300} \times \left\{ (423.8^3 \times \frac{150 \times 0.1}{2}) + (394.4^3 \times 150 \times 1.9) + (399.2^3 \times \frac{150 \times 0.1}{2}) \right\}} = 395.3 \text{ (N)}$$

$$Pm_2 = \sqrt[3]{\frac{1}{300} \times \left\{ (287.1^3 \times \frac{150 \times 0.1}{2}) + (282.3^3 \times 150 \times 1.9) + (311.8^3 \times \frac{150 \times 0.1}{2}) \right\}} = 283.2 \text{ (N)}$$

④ Calculating Rated Life

Decide each coefficient

- **hardness coefficient** $f_H=1$ for hardness of guide is 58HRC or more
- **temperature coefficient** $f_T=1$ operating temperature is below 100°C (80°C is maximum for SEB-A guide)
- **contact coefficient** $f_C=1$ for blocks are not in close contact
- **applied load coefficient** $f_W=1.5$ for $V_{max}=150\text{mm/s}$

© Calculating Rated Life

Selecting Block 1 that carries the maximum dynamic equivalent load

$$L = \left(\frac{f_H \times f_T \times f_C}{f_W} \times \frac{C}{P_m} \right)^3 \times 50$$

$$L = \left(\frac{1 \times 1 \times 1}{1.5} \times \frac{1920}{395.3} \right)^3 \times 50 = 1697.5(\text{km})$$

© Calculating Life Time

$$L_h = \frac{L \times 10^3}{2 \times l_s \times n_1 \times 60}$$

$$L_h = \frac{1697.5 \times 10^3}{2 \times 0.3 \times 14 \times 60} = 3368(\text{hour})$$

⑤ Calculating Static Safety Factor

© Equation for Static Equivalent Load

$$P_0 = P_r + P_s$$

$$P_{0a1} = P_{ra1} + P_{sa1} = 406.7 + 17.1 = 423.8 \text{ (N)}$$

calculating in the same manner

Table 1-31

	acceleration	constant	deceleration
block 1	$P_{0a1} = 423.8$	$P_{01} = 394.4$	$P_{0d1} = 399.2$
block 2	$P_{0a2} = 287.1$	$P_{02} = 282.3$	$P_{0d2} = 311.8$

Selecting Block 1 that carries the maximum static equivalent load

$$f_s = \frac{C_0}{P_0}$$

$$f_s = \frac{C_0}{P_{0a1}} = \frac{2530}{423.8} = 5.9$$

RATED LIFE CALCULATION EXAMPLE 3

2 Vertical Axes, 1 Bush each, Considering Acceleration/Deceleration

Operating Conditions

part number: SM30W

basic dynamic load rating $C = 2.49\text{kN}$

basic static load rating $C_0 = 5.49\text{kN}$

shaft span: $L_{rail} = 80\text{mm}$

drive: $Y_d = 0\text{mm}$

$Z_d = -15\text{mm}$

mass: $m_1 = 5\text{kg}$ $X_1 = 0\text{mm}$

$Y_1 = 0\text{mm}$

$Z_1 = 30\text{mm}$

$m_2 = 20\text{kg}$ $X_2 = 40\text{mm}$

$Y_2 = 50\text{mm}$

$Z_2 = 20\text{mm}$

velocity: $V_{max} = 150\text{mm/s}$

time: $t_1 = 0.1\text{s}$

$t_2 = 0.7\text{s}$

$t_3 = 0.1\text{s}$

acceleration: $a_1 = 1.5\text{m/s}^2$

$a_3 = 1.5\text{m/s}^2$

stroke: $L_s = 120\text{mm}$

number of cycles per minute: $n_1 = 33\text{cpm}$

Figure 1-14

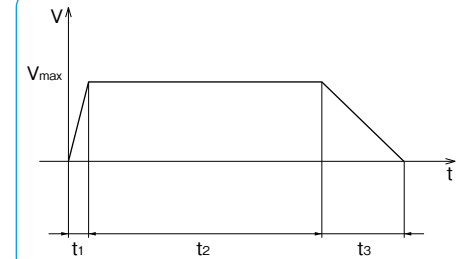
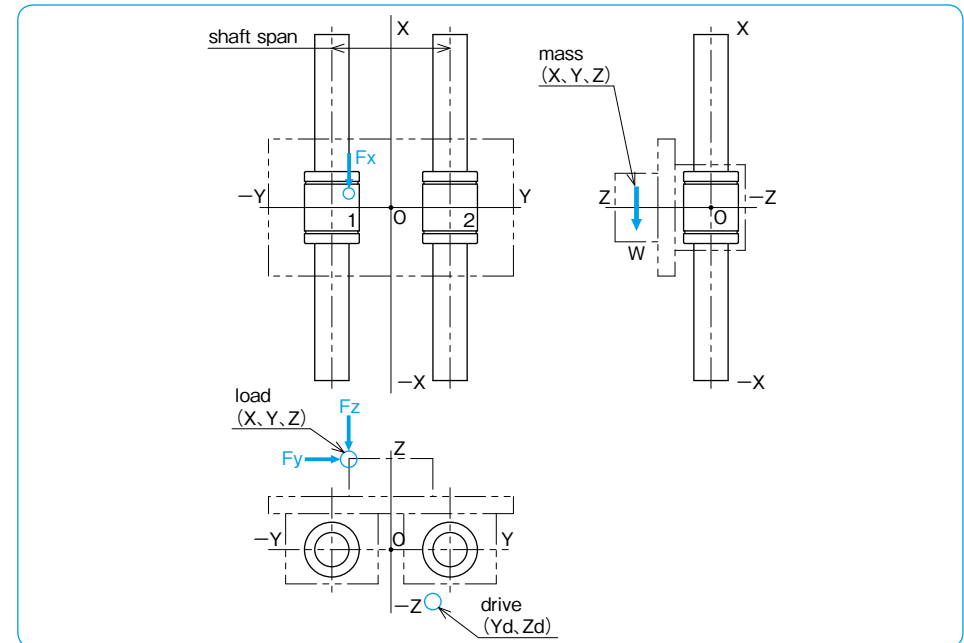


Figure 1-15



① Calculating Moment Applied to the Unit

<acceleration>

pitching $M_{a1} = m \cdot g \cdot (Z_m - Z_d) + m \cdot a_1 \cdot (Z_m - Z_d)$

$$M_{a1} = 5 \times 9.8 \times \{(30) - (-15)\} + 5 \times 1.5 \times \{(30) - (-15)\} + 20 \times 9.8 \times \{(20) - (-15)\} + 20 \times 1.5 \times \{(20) - (-15)\} = 10459 \text{ N} \cdot \text{mm}$$

yawing $M_{a2} = m \cdot g \cdot (Y_m - Y_d) + m \cdot a_1 \cdot (Y_m - Y_d)$

$$M_{a2} = 5 \times 9.8 \times \{(0) - (0)\} + 5 \times 1.5 \times \{(0) - (0)\} + 20 \times 9.8 \times \{(50) - (0)\} + 20 \times 1.5 \times \{(50) - (0)\} = 11307 \text{ N} \cdot \text{mm}$$

rolling $M_{a3} = 0$

<constant>

pitching $M_1 = m \cdot g \cdot (Z_m - Z_d)$

$$M_1 = 5 \times 9.8 \times \{(30) - (-15)\} + 20 \times 9.8 \times \{(20) - (-15)\} = 9071 \text{ N} \cdot \text{mm}$$

yawing $M_2 = m \cdot g \cdot (Y_m - Y_d)$

$$M_2 = 5 \times 9.8 \times \{(0) - (0)\} + 20 \times 9.8 \times \{(50) - (0)\} = 9807 \text{ N} \cdot \text{mm}$$

rolling $M_3 = 0$

<deceleration>

pitching $M_{d1} = m \cdot g \cdot (Z_m - Z_d) - m \cdot a_3 \cdot (Z_m - Z_d)$

$$M_{d1} = 5 \times 9.8 \times \{(30) - (-15)\} - 5 \times 1.5 \times \{(30) - (-15)\} + 20 \times 9.8 \times \{(20) - (-15)\} - 20 \times 1.5 \times \{(20) - (-15)\} = 7684 \text{ N} \cdot \text{mm}$$

yawing $M_{d2} = m \cdot g \cdot (Y_m - Y_d) - m \cdot a_3 \cdot (Y_m - Y_d)$

$$M_{d2} = 5 \times 9.8 \times \{(0) - (0)\} - 5 \times 1.5 \times \{(0) - (0)\} + 20 \times 9.8 \times \{(50) - (0)\} - 20 \times 1.5 \times \{(50) - (0)\} = 8307 \text{ N} \cdot \text{mm}$$

rolling $M_{d3} = 0$

② Calculating Load Applied to the Slide Bush

<acceleration>

Bush 1

vertical direction $F_{ra1} = \frac{M_{a3}}{L_{rail}}$

horizontal direction $F_{sa1} = 0$

pitching $M_{pa1} = \frac{M_{a1}}{2}$

$$M_{pa1} = \frac{10459}{2} = 5230 \text{ N} \cdot \text{mm}$$

yawing $M_{ya1} = \frac{M_{a2}}{2}$

$$M_{ya1} = \frac{11307}{2} = 5654 \text{ N} \cdot \text{mm}$$

Bush 2

vertical direction $F_{ra2} = \frac{M_{a3}}{2 \cdot L_{rail}}$

horizontal direction $F_{sa2} = 0$

pitching $M_{pa2} = \frac{M_{a1}}{2}$

$$M_{pa2} = \frac{10459}{2} = 5230 \text{ N} \cdot \text{mm}$$

yawing $M_{ya2} = \frac{M_{a2}}{2}$

$$M_{ya2} = \frac{11307}{2} = 5654 \text{ N} \cdot \text{mm}$$

<constant>

Bush 1

vertical direction $F_{r1} = \frac{M_3}{L_{rail}}$

horizontal direction $F_{s1} = 0$

pitching $M_{p1} = \frac{M_1}{2}$

$$M_{p1} = \frac{9071}{2} = 4536 \text{ N} \cdot \text{mm}$$

yawing $M_{y1} = \frac{M_2}{2}$

$$M_{y1} = \frac{9807}{2} = 4904 \text{ N} \cdot \text{mm}$$

Bush 2

vertical direction $F_{r2} = \frac{M_3}{L_{rail}}$

horizontal direction $F_{s2} = 0$

pitching $M_{p2} = \frac{M_1}{2}$

$$M_{p2} = \frac{9071}{2} = 4536 \text{ N} \cdot \text{mm}$$

yawing $M_{y2} = \frac{M_2}{2}$

$$M_{y2} = \frac{9807}{2} = 4904 \text{ N} \cdot \text{mm}$$

<deceleration>

Bush 1

vertical direction $Frd_1 = \frac{Md_3}{L_{rail}}$

horizontal direction $Fsd_1 = 0$

pitching $Mpd_1 = \frac{Md_1}{2}$
 $Mpd_1 = \frac{7684}{2} = 3842N \cdot mm$

yawing $Myd_1 = \frac{Md_2}{2}$
 $Myd_1 = \frac{8307}{2} = 4154N \cdot mm$

Bush 2

vertical direction $Frd_2 = \frac{Md_3}{L_{rail}}$

horizontal direction $Fsd_2 = 0$

pitching $Mpd_2 = \frac{Md_1}{2}$
 $Mpd_2 = \frac{7684}{2} = 3842N \cdot mm$

yawing $Myd_2 = \frac{Md_2}{2}$
 $Myd_2 = \frac{8307}{2} = 4154N \cdot mm$

③ Calculating Equivalent Load

◎Pr in the vertical direction and Ps in the horizontal direction are calculated by the following equations.

$$Pr = |Fr| + |Ep \cdot Mp|$$

$$Ps = |k \cdot Fs| + |Ey \cdot My|$$

k=1 for Slide Bush

Table 1-32

	acceleration	constant	deceleration
bush 1	Pr _{a1} = 346.7	Pr ₁ = 300.7	Pr _{d1} = 254.7
	Ps _{a1} = 374.9	Ps ₁ = 325.1	Ps _{d1} = 275.4
bush 2	Pr _{a2} = 346.7	Pr ₂ = 300.7	Pr _{d2} = 254.7
	Ps _{a2} = 374.9	Ps ₂ = 325.1	Ps _{d2} = 275.4

◎Equation for Dynamic Equivalent Load

$$P = Pr + Ps$$

Pa₁ = Pr_{a1} + Ps_{a1} = 346.7 + 374.9 = 721.6 (N)
 calculating in the same manner

Table 1-33

	acceleration	constant	deceleration
bush 1	Pa ₁ = 721.6	P ₁ = 625.8	Pd ₁ = 530.1
bush 2	Pa ₂ = 721.6	P ₂ = 625.8	Pd ₂ = 530.1

◎Calculating Average Equivalent Load

$$Pm = \sqrt[3]{\frac{1}{L_s} \times \left\{ (Pa^3 \times \frac{V_{max} \times t_1}{2}) + (P^3 \times V_{max} \times t_2) + (Pd^3 \times \frac{V_{max} \times t_3}{2}) \right\}}$$

$$Pm_1 = \sqrt[3]{\frac{1}{120} \times \left\{ (721.6^3 \times \frac{150 \times 0.1}{2}) + (625.8^3 \times 150 \times 0.7) + (530.1^3 \times \frac{150 \times 0.1}{2}) \right\}} = 620(N)$$

$$Pm_2 = \sqrt[3]{\frac{1}{120} \times \left\{ (721.6^3 \times \frac{150 \times 0.1}{2}) + (625.8^3 \times 150 \times 0.7) + (530.1^3 \times \frac{150 \times 0.1}{2}) \right\}} = 620(N)$$

④ Calculating Rated Life

Decide each coefficient

- **hardness coefficient** $f_H=1$ for hardness of bush is 58HRC or more
- **temperature coefficient** $f_T=1$ operating temperature is below 100°C (80°C is maximum for Bush with resin retainer)
- **contact coefficient** $f_C=1$ for bushes are not in close contact
- **applied load coefficient** $f_W=1.5$ for $V_{max}=150\text{mm/s}$

◎ Calculating Rated Life

Selecting Bush 1 that carries the maximum equivalent load

$$L = \left(\frac{f_H \times f_T \times f_C}{f_W} \times \frac{C}{P_m} \right)^3 \times 50$$

$$L = \left(\frac{1 \times 1 \times 1}{1.5} \times \frac{2490}{620} \right)^3 \times 50 = 960(\text{km})$$

◎ Calculating Life Time

$$L_h = \frac{L \times 10^3}{2 \times l_s \times n_1 \times 60}$$

$$L_h = \frac{960 \times 10^3}{2 \times 0.120 \times 33 \times 60} = 2020(\text{hour})$$

⑤ Calculating Static Safety Factor

◎ Equation for Static Equivalent Load

$$P_0 = P_r + P_s$$

$P_{0a1} = P_{ra1} + P_{sa1} = 346.7 + 374.82 = 721.52$ (N)
calculating in the same manner

Table 1-34

	acceleration	constant	deceleration
bush 1	$P_{0a1} = 721.6$	$P_{01} = 625.8$	$P_{0d1} = 530.1$
bush 2	$P_{0a2} = 721.6$	$P_{02} = 625.8$	$P_{0d2} = 530.1$

Selecting Bush 1 that carries the maximum static equivalent load

$$f_s = \frac{C_0}{P_0}$$

$$f_s = \frac{C_0}{P_{0a1}} = \frac{5490}{721.6} = 7.6$$

RIGIDITY AND PRELOAD

Effect of Preload and Rigidity

The rigidity of a linear system must be taken into consideration when it is to be used in high-precision positioning devices or high-precision machinery. Preloaded slide guides and ball splines, which use balls as the rolling elements, are available upon request to meet the need for greater rigidity.

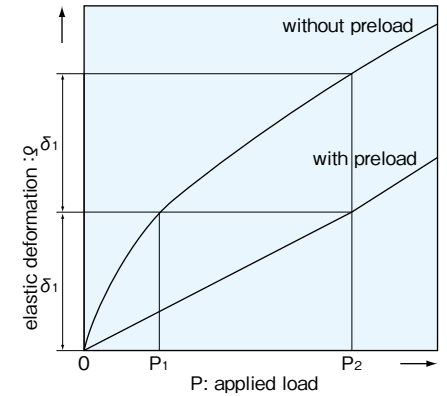
If a force is applied to the ball elements without preload, an elastic deformation proportional to the applied force to the 2/3 power will result. Therefore, the elastic deformation is relatively large during the initial loading stage, however then becomes smaller as the load increases.

Preloading on the rolling elements absorbs the deformation of the block under the same loading. Please contact NB for available data in regard to rigidity.

Types of Preload and its Specification

Preload is categorized into three ranges: standard, light, and medium for option. In the NB linear system, preload is applied by installing rolling elements that are slightly larger than standard. Therefore, the specification of the preload is expressed by a negative value.

Figure 1-16 Applied Load versus Block Deformation



FRICITIONAL RESISTANCE AND REQUIRED THRUST

The static friction of a linear system is extremely low. Since the difference between the static and dynamic friction is marginal, stable motion can be achieved from low to high speed. The frictional resistance (required thrust) can be obtained from the load and the seal resistance unique to each type of system using the following equation:

$$F = \mu \cdot W + f \quad \dots\dots\dots (14)$$

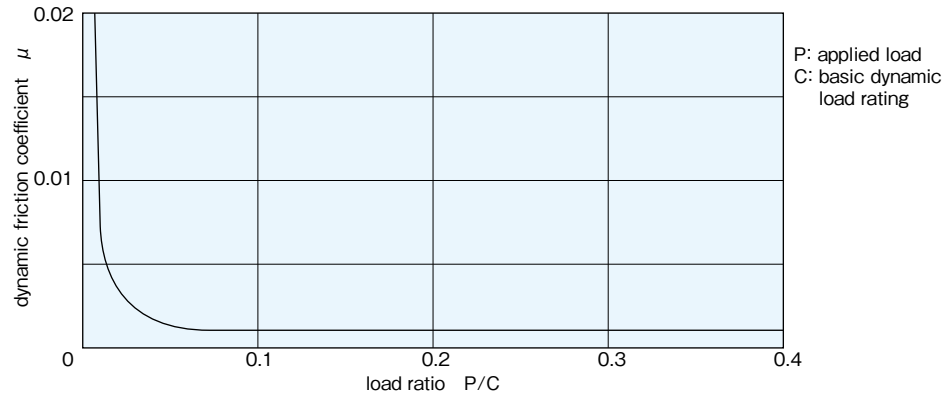
F: frictional resistance (N) μ : dynamic friction coefficient
 W: applied load (N) f: seal resistance (N)

The dynamic friction coefficient varies with the applied load, preload, viscosity of the lubricant, and other factors. However, the values given in Table 1-35 are used for the normal loading condition (20% of basic dynamic load rating) without any preload. The seal resistance depends on the seal-lip condition as well as on the condition of the lubricant, however, it does not change proportionally with the applied load, which commonly is expressed by a constant value of 2 to 5 N.

Table 1-35 Dynamic Friction Coefficient

product	type	dynamic friction coefficient (μ)
Slide Guide	SGL·GL·SGW	0.002~0.003
	SEB	0.004~0.006
	SER	0.004~0.006
Ball Spline	SSP	0.004~0.006
Rotary Ball Spline	SPR	0.004~0.006
Slide Bush	SM·KB	0.002~0.003
	SW·GM	
	SMA·SME	
Top Ball	TK·TKA	0.002~0.003
	TKE·TKD	
	TW·TWA	
	TWJ·TWD	
Stroke Bush	SR	0.0006~0.0012
Slide Rotary Bush	RK	0.002~0.003
Slide Way	NV·SV·RV	0.001~0.003
Slide Table	NVT·SVT·SYT	0.001~0.003
Miniature Slide	SYBS	0.001~0.003

Figure 1-17 Applied Load versus Dynamic Friction Coefficient



OPERATING ENVIRONMENT

Temperature Range

The NB linear systems are heat-treated in order to harden the surface. Therefore, if the temperature of the linear system exceeds 100°C, the hardness and load rating will be reduced (refer to page Eng-5, hardness coefficient). If resin is used in any one of the components, the system cannot be used in a high-temperature environment. The recommended operating temperature ranges for each type of linear system are listed in Table 1-36.

Table 1-36 Major Types and Recommended Temperature Range

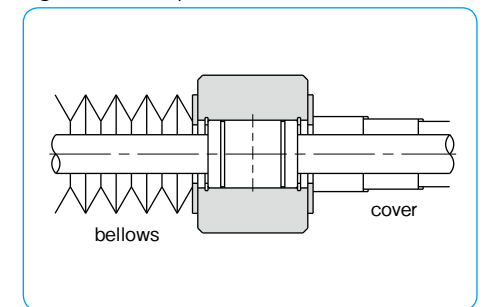
component material	includes resin	steel	stainless	other
operating temperature range	-20°C~80°C	-20°C~110°C	-20°C~140°C*	
Slide Guide	SEB-A/SEBS-B SGL/GL/SGW	SER	SEBS-BM SERS	
Ball Spline	SSP/SSPF/SSPB		SPLFS	
Rotary Ball Spline	SPR			
Slide Bush	SM G/KB G/ SW G/SMS G/ KBS G/SWS G/GM SMA G/AK G/RB CE/CD	SM/KB/SW SMA/AK	SMS/KBS/SWS SMSA/AKS	
	Top Ball	TK/TKA TKE/TKD TW/TWA TWJ/TWD		
Stroke Bush		SR/SRB		
Slide Rotary Bush	RK	SRE		
Slide Way	NV	SV/RV	SVS	
Slide Table	NVT	SVT/SYT	SYTS	SVTS**
Miniature Slide			SYBS	
Slide Screw		SS		

* If the system is made of stainless steel and has a seal, the temperature range is up to 120°C
 ** Please contact NB if the system is to be used out of room temperatures.

Operating Environment

Foreign particles or dust in the linear system affects the motion accuracy and shortens the life time. Standard seals will perform well for dust prevention under normal operating conditions, however, in a harsh environment it is necessary to attach bellows or protective covers as Figure 1-18 shows.

Figure 1-18 Example of Dust Prevention



LUBRICATION

The objective of lubrication includes the reduction of friction among the rolling elements as well as between the rolling elements and the raceway, prevention of sintering, reduction of wear, and the prevention of rust by forming a film over the surfaces. To maximize the performance of a linear system, the lubricant type and a lubrication method appropriate for the operating environment should be selected.

There are two types of lubrication; oil lubrication and grease lubrication. For oil lubrication, turbine oil conforming to ISO standard VG32 to 68 is recommended.

For grease lubrication, lithium soap based grease No.2 is recommended. For slide bush and some other products, anti-rust oil that does not adversely affect the lubricant is applied prior to shipment. Please apply lubricant before using these products. (see Table 1-37) Products with raceway grooves, such as slide guide, are delivered pre-lubricated with grease for immediate use. Please relubricate with a similar type of grease periodically depending on the operating conditions. The recommended relubrication period is about 6 months or 1,000km of travel distance under normal conditions.

Table 1-37 Grease and Anti-rust oil

type	grease application
Slide Guide	grease pre-applied
Ball Spline	grease pre-applied
Rotary Ball Spline	grease pre-applied
Slide Bush	anti-rust oil only
Stroke Bush	anti-rust oil only
Slide Rotary Bush	anti-rust oil only
Slide Way	grease pre-applied
Slide Table	grease pre-applied
Miniature Slide	grease pre-applied

NB provides the following optional greases. Please select one in accordance with the use conditions of your linear system.

●KGL Grease (Low Dust Generation Grease)

KGL Grease has an excellent property of low dust generation with a lithium-type thickening agent used. It is ideal for use in a clean room.

●KGU Grease (Low Dust Generation Grease)

With urea-type thickening agent used, KGU Grease has features including a superior low dust generation property and the reduced dynamic frictional resistance during low-speed operation.

Table 1-38 Main Property

item	grease name	
	KGL Grease	KGU Grease
appearance	light yellowish-white	light brown
base oil	synthetic oil and refined oil mixed	synthetic oil and refined oil mixed
kinematic viscosity of base oil (mm ² /s, 40°C)	32	approx. 85
thickening agent	lithium soap	urea
mixture viscosity	237	246
drop point (°C)	201	250 or higher
copper plate corrosion (100°C, 24hrs)	passed	passed
evaporation (mass%)	0.8 (99°C 22h)	0.61 (150°C 22h)
oil separation (mass% 100°C, 24hrs)	0.9	0.1
oxidation stability (MPa99°C, 100hrs)	0.04	0.015
bearing corrosion prevention (52°C, 48hrs)	passed	passed
operating temperature range (°C)	-20~120	-20~150

Figure 1-19 Dust Level Measurement Data

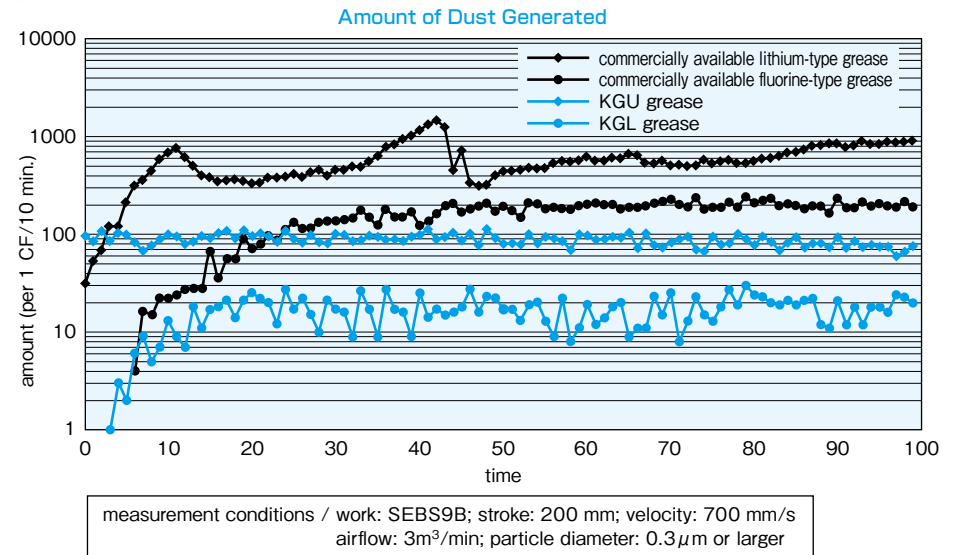
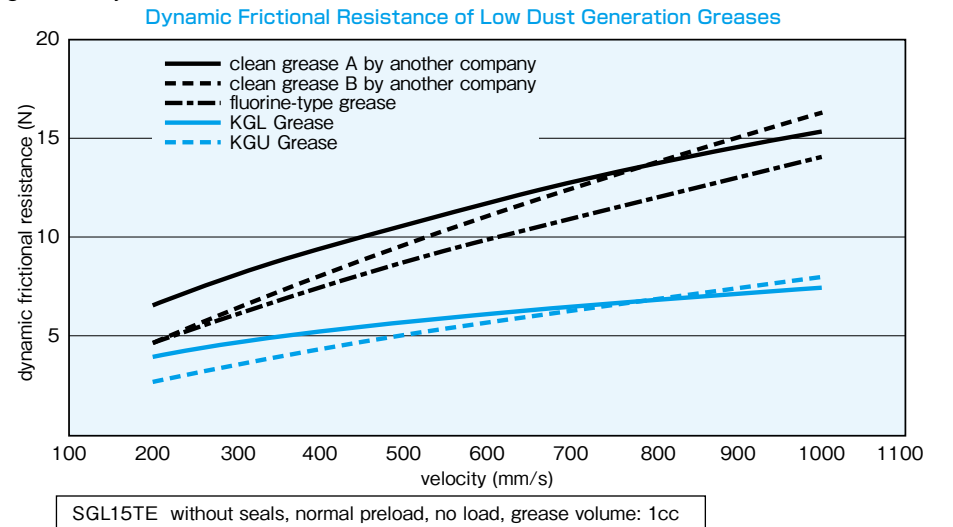


Figure 1-20 Dynamic Frictional Resistance Measurement Data



●KGF Grease (Anti-fretting/Anti-corrosion Grease)

With urea-type thickening agent used, KGF Grease is very effective to prevent fretting and corrosion.

Table 1-39 Main Property

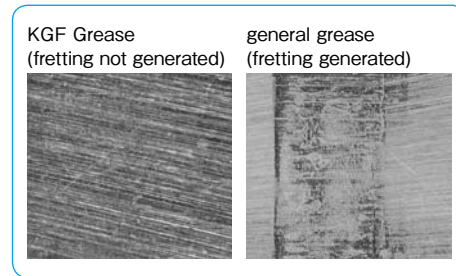
item	grease name KGF Grease
appearance	brown
base oil	synthetic oil
kinematic viscosity of base oil (mm ² /s, 40°C)	approx. 25
thickening agent	urea
mixture viscosity	292
drop point (°C)	250 or higher
copper plate corrosion (100°C, 24 hrs)	passed
evaporation (mass%)	0.27 (99°C 22h)
oil separation (mass% 100°C, 24 hrs)	1.1
oxidation stability (MPa99°C, 100 hrs)	0.085
bearing corrosion prevention (52°C, 48 hrs)	passed
rinsing water resistance (38°C, 1 hr)	1.7
operating temperature range (°C)	-20~150

Anti-fretting/Anti-corrosion Test Data

Table 1-40 Test Conditions

item	content
tested item	NVT4165
stroke	2 mm
acceleration	2.4G
average acceleration	5.8 m/min
cycle per minute	1,450 cpm
grease injection volume	0.5 cc
total travel distance	184 km
total cycles	46 million cycles

Figure 1-21 Raceway Condition after Testing



●Other Grease

In addition to KGL, KGU, and KGF Greases, NB also provides K Grease, urea-type low dust generation grease.

Table 1-41 Main Property

item	grease name K Grease
appearance	yellow white
thickening agent	urea-type
base oil	synthetic oil
viscosity	280 (No.2)
operating temperature range (°C)	-30~150

PRECAUTIONS FOR HANDLING AND USE

Please follow the instructions below to maintain the accuracy of NB linear system as a precision part and for a safety use.

- ⚠ (1) Notes on Handling
 - ①Any shock load caused by rough handling (such as dropping or hitting with hammer) may cause a scar or dent on the raceway which will hinder smooth movement and shorten expected travel life. Also be aware that such impact may damage the resin parts.
 - ②Never try to disassemble the product. Doing so may cause an entry of contamination or deterioration of assembly accuracy.
 - ③The blocks or the outer cylinders may move just by tilting the rail or the shaft. Be careful not to let them fall off from the rail or the shaft by mistake.
 - ④The accuracy on the mounting surface and parallelism of the rails or the shafts after assembly are important factors to optimize the performance of the linear system. Exercise adequate care for mounting accuracy.

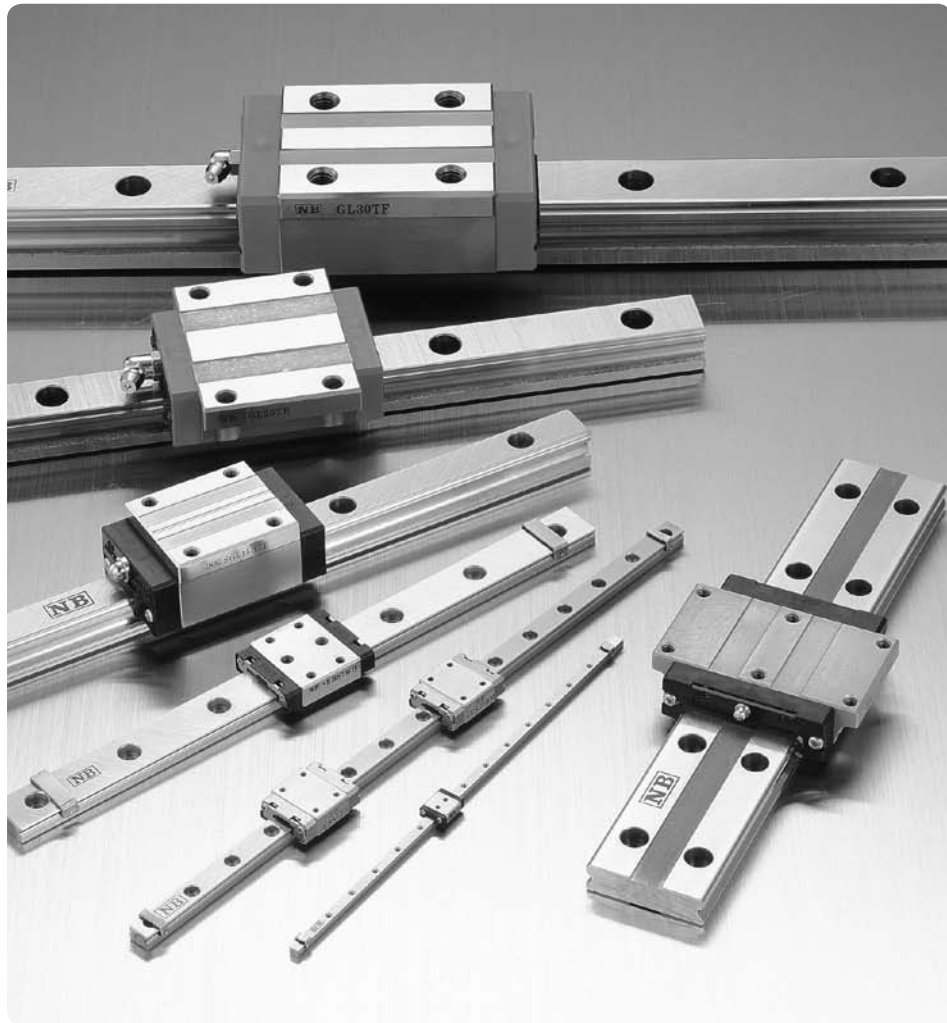
- ⚠ (2) Notes on Use
 - ①Be careful not to let dust or foreign particles enter the linear system during use.
 - ②When using the linear system under an environment where dust or coolant may scatter, protect the system with a cover or bellows.
 - ③When the NB linear system is used in a manner that its rail is fixed to the ceiling and downward load is applied to the block (s) or the outer cylinder (s), if the block or the outer cylinder breaks, it may fall off from the rail and drop to the floor. Provide additional measures for preventing dropping of the block or the outer cylinder, such as a safety catch.

- ⚠ (3) Instructions in considering the "Life Time" of a Linear System
 - ①When the load applied to a block or an outer cylinder exceeds 0.5 time of the basic dynamic load rating ($P > 0.5C$), the actual life of the system may become shorter than a calculated life time. Therefore, it is recommended to use the system with 0.5C or lower.
 - ②In the repetition of very minute stroke, where the rolling element, a steel ball or a cylindrical roller, makes only less than a half turn, early wear called fretting occurs at the contact points between the rolling elements and the raceway. There is no perfect measure to avoid this, but the life of the system can be extended by using anti-fretting grease and moving the blocks or the outer cylinders for the full stroke length once in a few thousand times of use.
Anti-fretting grease is available as an option. Please select it for applications with very minute stroke length.

SLIDE GUIDE

SLIDE GUIDE

NB slide guides are high-precision and high-rigidity linear bearings designed to utilize the motion of rolling elements. They have numerous advantageous characteristics including low friction, no stick-slip, and smooth linear motion even under high load conditions. Since they can maintain their high-efficiency and high-functionality characteristics for an extended period of time, they meet a wide range of needs, from general industrial to precision machinery.



TYPES

Table A-1 Types

	rolling element	cross section and contact structure	advantages	page
miniature type	ball	retained ball, 2-row, 4-point contact (SEBS-B type) 	<ul style="list-style-type: none"> ● retained ball type ● available with all stainless steel components ● 2-row, compact ● small, light, cost effective 	P.A-20
	ball	2-row, 4-point contact (SEB-A type) 	<ul style="list-style-type: none"> ● 2-row, compact ● small, light, cost effective ● available in various types ● available in stainless steel 	P.A-20
	roller	cross roller (SER type) 	<ul style="list-style-type: none"> ● miniature roller guide ● cross roller, high precision ● available with all stainless steel components 	P.A-34
high-rigidity type	ball	4-row, 2-point contact (SGL type) 	<ul style="list-style-type: none"> ● high self-centering characteristics ● high load capacity due to relatively large ball elements ● high dust preventive control with side-seals and under-seals 	P.A-42
	ball	4-row, 2-point contact (GL type) 	<ul style="list-style-type: none"> ● ball cushions contributing to low noise ● increased relubrication period by the Fiber Sheet ● high load capacity due to relatively large ball elements 	P.A-42
	ball	4-row, 2-point contact (SGW type) 	<ul style="list-style-type: none"> ● high-moment resistant ● low-height design ● smooth motion due to large number of effective balls ● high dust preventive control with side-seals and under-seals 	P.A-78

ACCURACY MEASUREMENT METHOD

The accuracy of slide guides is measured by fixing the rail to the reference base. The accuracy is expressed in terms of the average value at the center portion.

Dimensional Tolerance and Paired Difference

The accuracy of the slide guide is obtained by measuring the height H, and width W, as shown in Figure A-1. The dimensional tolerance is measured for each of the blocks attached to the rail and is expressed in terms of the deviation from the basic dimension. The paired difference is obtained by measuring the blocks attached to the rail and is expressed in terms of the difference between the maximum and minimum values.

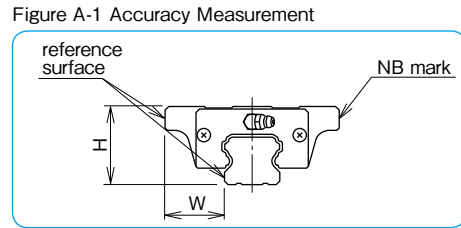


Figure A-1 Accuracy Measurement

Motion Accuracy

The rail is first fixed to the reference base. The motion accuracy is obtained by measuring the difference in the indicator readings when the block is moved along the entire span of the rail.

Note: Gauge head is placed on the center of the block reference surface.

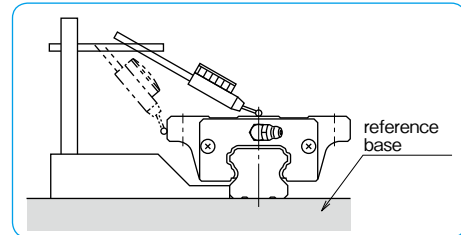


Figure A-2 Measurement Method for Motion Accuracy

Notation for Number of Axes and Paired Difference

When more than one rail is used in parallel, the dimensional difference must be measured on more than one block on more than one rail. For measuring the paired difference for height H, please specify the number of axes (W2, W3) as the part number example shows. For measuring the paired difference for width W, please contact NB.

Note : When four rails are used as illustrated in Figure A-3, W4 should be specified in the part number. Please indicate the number of axes when ordering.

part number example
SGL25TF2-350/W2

symbol for number of axes
 W2: 2 parallel axes
 W3: 3 parallel axes

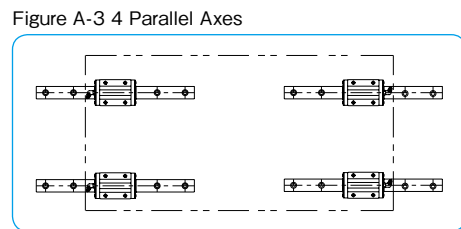


Figure A-3 4 Parallel Axes

RIGIDITY AND PRELOAD

The rolling elements of the slide guide deform elastically due to the applied load. The amount of deformation depends on the type of rolling element. It is proportional to the 2/3rd power for ball elements. For rollers, it is proportional to the 0.9th power. In either case, the rate of deformation decreases as the applied load increases. Greater rigidity is achieved by applying a preload.

A preload causes internal stress within the slide guide block, resulting in some reduction in lifetime. However, when the guide is used under shock or vibration loading conditions, a preload will absorb the load and will actually help lengthen the life time. Because the preload causes elastic deformation of the rolling elements, it becomes less tolerable to the installation dimensional errors. Extreme care should be exercised in machining the installation surface.

Four levels of preload are available: clearance, standard, light, and medium. This allows the user to select the appropriate level for the application.

Figure A-4 Elastic Deformation of Rolling Elements

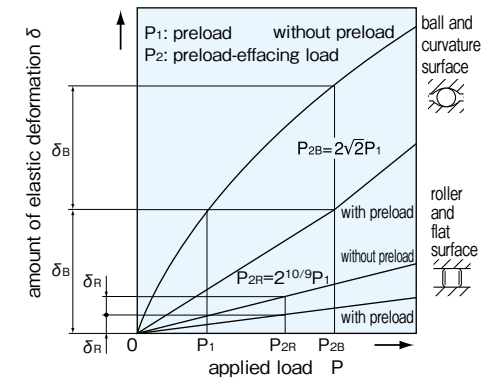


Table A-2 Level of Preload

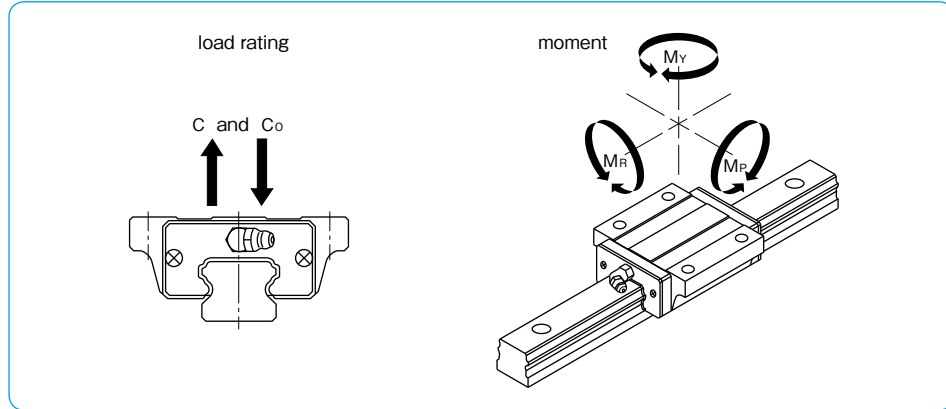
preload	symbol	effect of preload					operating conditions	applicable part number
		vibration absorption ability	self-aligning ability	lifetime	rigidity	frictional resistance		
clearance	T0	increases	reduces	reduces	increases	increases	light motion is required. installation errors to be absorbed.	SEB
standard	blank	increases	reduces	reduces	increases	increases	minute vibration is applied. accurate motion is required. moment is applied in a given direction.	SEB,SGL GL,SGW
light	T1	increases	reduces	reduces	increases	increases	light vibration is applied. light torsional load is applied. moment is applied.	SEB,SGL GL,SGW
medium	T2	increases	reduces	reduces	increases	increases	shock and vibration are applied. over-hang load is applied. torsional load is applied.	SGL,GL SGW

LOAD RATING AND RATED LIFE

Loading Direction and Load Rating

A slide guide experiences load and moment, as shown in Figure A-5. For each load and moment, the basic load ratings and allowable static moments are defined.

Figure A-5 Direction of Load



Rated Life Calculation

Two types of rolling elements are used in NB slide guides: ball and roller elements. There is a different equation for calculating the rated life of each type.

If the stroke length and cycles are constant, life can be expressed in terms of time, the equation is

$$L_h = \frac{L \cdot 10^3}{2 \cdot \ell_s \cdot n \cdot 60}$$

L_h : life time (hr) ℓ_s : stroke length (m)
 L : rated life (km) n : number of cycles per minute (cpm)

For ball elements (SEB, SGL, and SGW types), the equation is

$$L = \left(\frac{f_c \cdot f_T}{f_w} \cdot \frac{C}{P} \right)^3 \cdot 50$$

For roller elements (SER type), the equation is

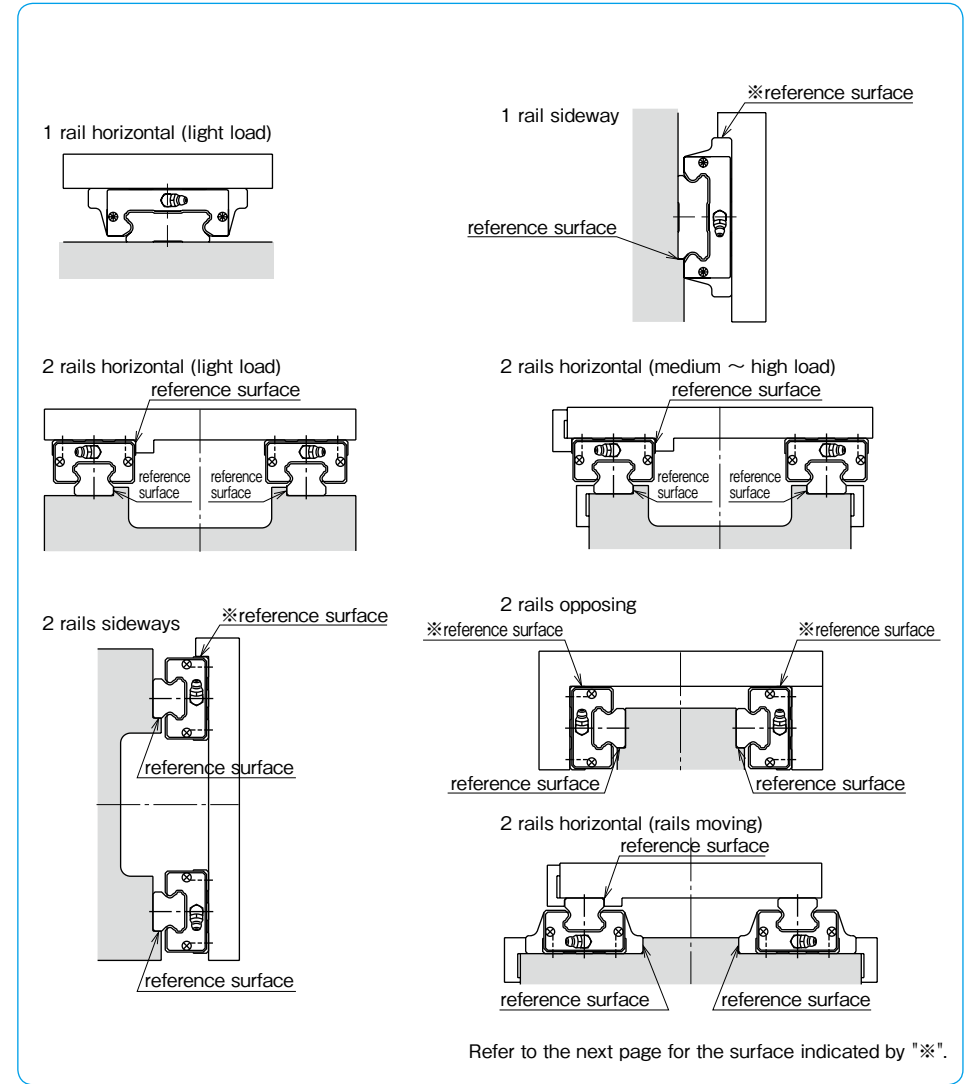
$$L = \left(\frac{f_c \cdot f_T}{f_w} \cdot \frac{C}{P} \right)^{10/3} \cdot 50$$

L : rated life (km) f_c : contact coefficient
 f_r : temperature coefficient f_w : applied load coefficient
 C : basic dynamic load rating (N) P : applied load (N)
 ※ Refer to page Eng-5 for the coefficients.
 ※ The contact coefficient is applied when two or more blocks are used in close contact.

MOUNTING

Slide guides have high load ratings in spite of their compact size. They can be used in various types of machinery and other equipment in various configurations. Figure A-6 shows some typical slide guide arrangements.

Figure A-6 Slide Guide Arrangements



Mounting Surface and Accuracy

NB slide guides are designed and fabricated to achieve high accuracy after mounting them to a machined mounting base. One typical way is to provide a shoulder on the mounting surface and align the reference surface of the rail or block against the shoulder (Figure A-7). To avoid corner interference, an escape groove should be provided at the shoulder corner. Alternatively, the radius of the shoulder corner should be smaller than the radius of the slide guide block/rail corner.

The accuracy of the rail mounting surface affects the accuracy of the machinery or equipment along with the slide guide motion accuracy.

The accuracy of the mounting surface should be equivalent to that of the slide guide motion accuracy. The specified preload may not be achieved due to deformation of the block, for example, the mounted block surface is not flat (Figure A-8). Careful attention should therefore be given to achieve the specified flatness.

Note: Please contact NB for the rail straightness in case the mounting shoulder cannot be provided or the rigidity of the mounting surface is not enough.

Figure A-7 Profile of Mounting Reference Surface

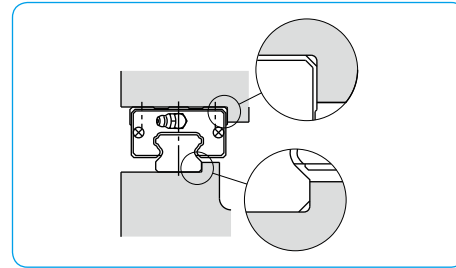


Figure A-8 Effect of Flatness

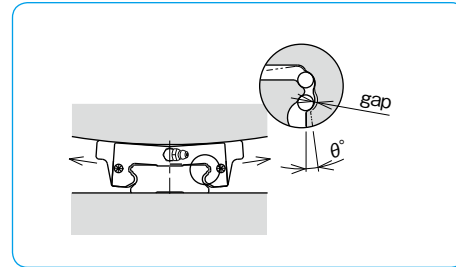
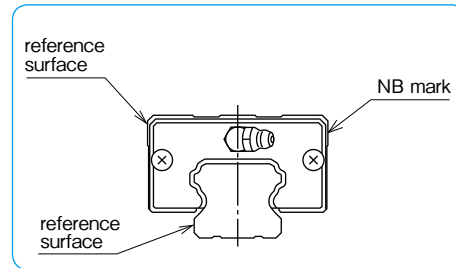


Figure A-9 Reference Surface



Reference Surface Indication

Reference surfaces are provided to enable accurate and simplified mounting. They are located on the same side, as shown in Figure A-9, opposite to the NB mark.

Depending on the mounting arrangement, the standard reference surface may not ensure mounting accuracy (for example, 1 rail sideways or 2 rails opposing, Figure A-6, page A-7). In such cases, NB can provide a reference surface on the opposite side. Please specify the side when ordering.

Mounting

In general, slide guides are used with 2 rails in parallel. In that case, one rail is on the so-called reference side and the other is on the so-called adjustable side.

- Applications where shock/vibration and high load are involved/high accuracy is required. The effect of shock and vibration on accuracy is eliminated by using side pieces such as side plates (Figure A-10), tightening set screws (Figure A-11), or tapered gibs (Figure A-12).

Figure A-11 Using Tightening Set Screw

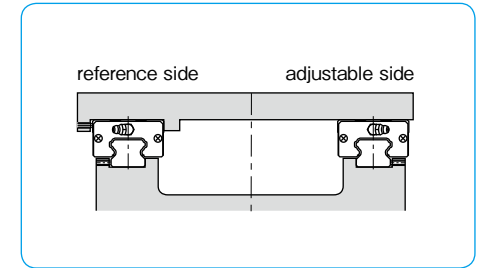


Figure A-10 Using Side Plate

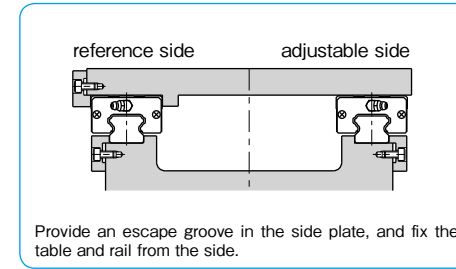
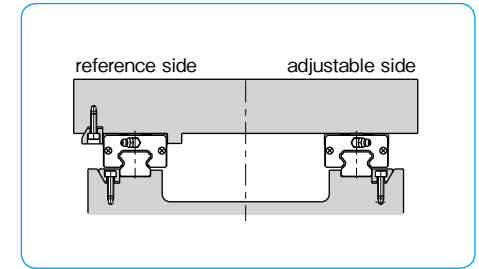


Figure A-12 Using Tapered Gib



- Applications where light load and low speed are involved.

Figures A-13~15 show the mounting methods when high accuracy is not required or the load capacity of the slide guide is sufficient due to a light load or low speed. In these cases, side pieces or reference surface may not be required.

Figure A-14 No Reference Surface on Adjustable Side

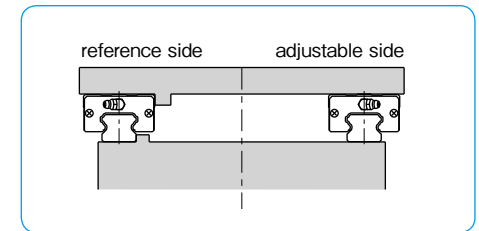


Figure A-13 Without Side Piece

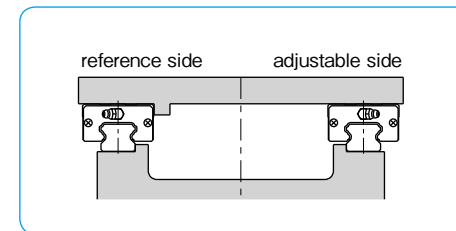
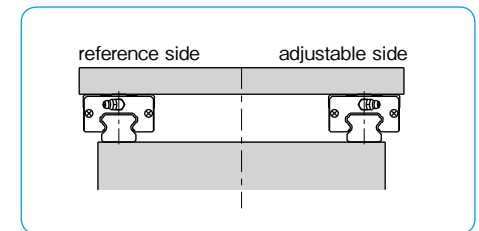


Figure A-15 Without Reference Surface



Mounting Procedure

When reference surfaces are provided for both the table and the base, please follow the following procedure to mount the slide guide.

1. Remove burrs, scratches, dust, etc. from the base and table. Apply a low viscosity oil to the base and the table. Place the slide guide on the base carefully. Temporarily fix the rail mounting screws. (Figure A-16a)

2. Tighten the screw for the side piece so that the installation reference surface and the rail reference surface are in close contact. (Figure A-16b) If a side piece is not provided, use a C clamp to position the mounting reference surface and the rail reference surface so that they contact each other. (Figure A-16d)

3. Tighten the mounting screws to the specified torque, and complete the mounting of the rail. The rail is designed so that its accuracy is optimum when the screws are tightened to the specified value. Please refer to the recommended torque table for each product type. (Figure A-16c)

4. Repeat steps 2 and 3 for the rail on the adjustable side.

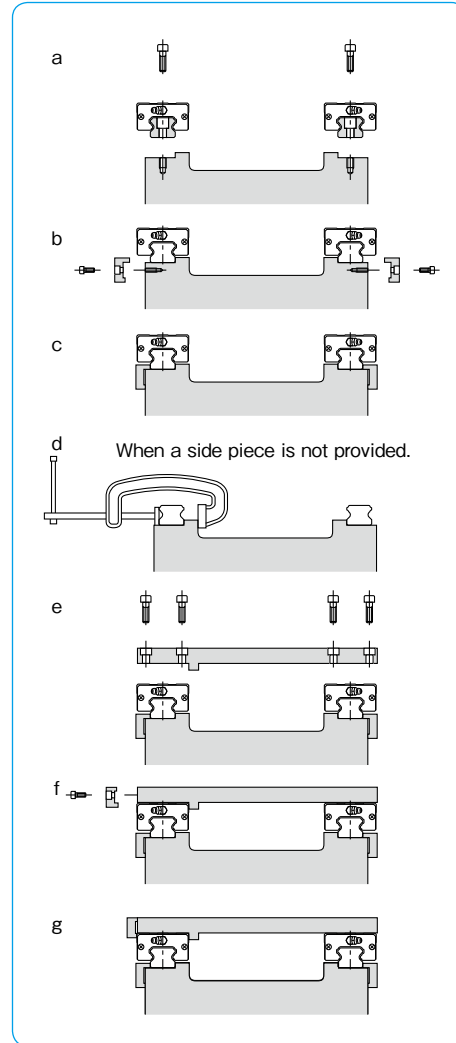
5. Move the blocks at the mounting location of the table, and place the table gently. Then slightly tighten the screws. (Figure A-16e)

6. Fix the reference surface of the block against the table by the side piece. Tighten the mounting screws in a diagonal sequence. (Figure A-16f)

7. In the same manner, tighten the mounting screws for the blocks on the adjustable side. (Figure A-16g)

8. Finally, move the table through the stroke length to check if thrust is even. Please repeat 5 and 6 (2 to 6 when necessary) if thrust is not even. If thrust is even, please do final tightening of the screws.

Figure A-16 Mounting Method



When Reference Surface is Not Provided on Adjustable Side

When a reference surface is not provided on the adjustable side, mount the 2 rails in parallel by using a jig, as mounted in Figure A-17. After mounting the reference-side guide, install the adjustable-side guide by moving the table to achieve parallelism.

When Reference Surface is Not Provided on Reference Side

When a reference surface is not provided on the reference side, mount the 2 rails by using a reference surface close to the slide guide. Temporarily fix the slide guide to the base, and mount an indicator on a measurement plate. Please fix the measurement plate on two or more blocks. (Figure A-18)

Place the indicator against the reference surface of the base. Tighten the screws from one end of the rail to ensure straightness.

If there is no reference surface close-by, use a straight edge to achieve straightness. (Figure A-19)

Figure A-17 Using a Jig

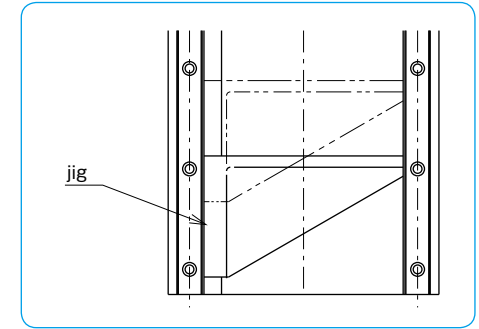


Figure A-18 Using Base Reference Surface

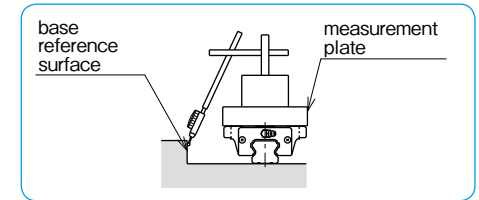
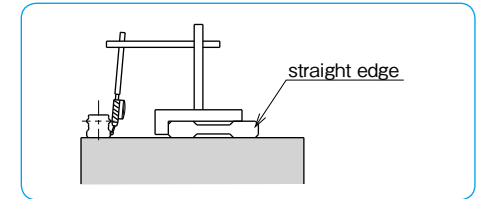


Figure A-19 Using a Straight Edge

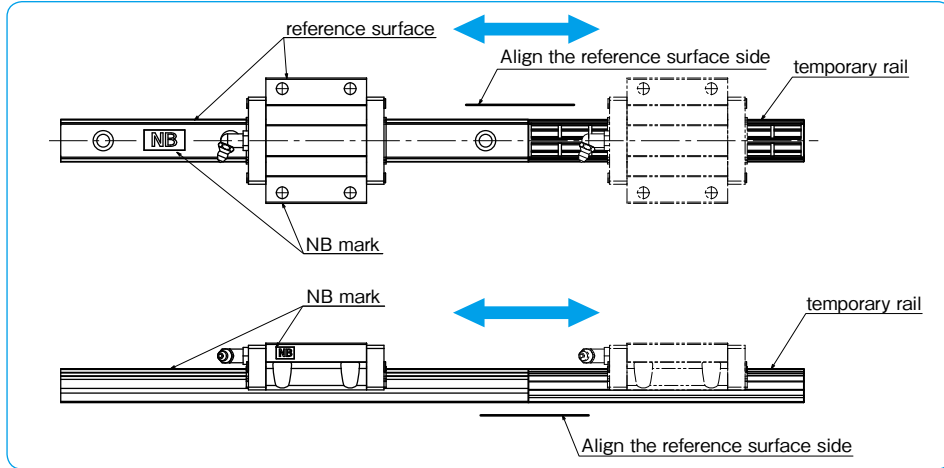


NOTES ON HANDLING AND USE

NB Slide Guides are accurately tuned precision components. Please pay special attention to the following notes.

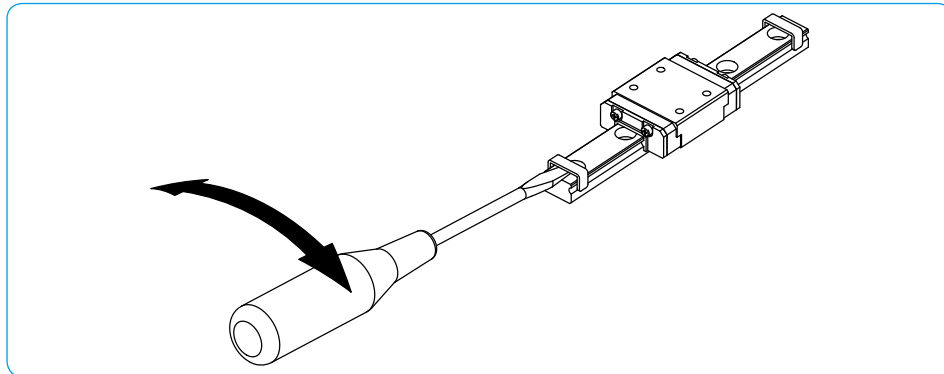
- Please install the Slide Guide as a set. It is not recommended to remove the block for installation.
- When block removal is necessary, please use a temporary (plastic dummy) rail to prevent balls from dropping out.
- To put a guide block on the rail, as the pictures below show, align the reference surface and the height between the rail and a temporary rail. It is very important to maintain the original combination of block(s) and rail.

Figure A-20 How to Put Guide Block on



- Please do not turn around a block on the rail to change the grease-fitting orientation. Relocate fitting to the opposite end by removing red plug, and re-insert red plug to where fitting was originally.
- Never try to disassemble the block. This will most assuredly void warranty of the product.
- Please remove burrs, dust, or any other debris from the base and table before installation.
- Slide Guides are pre-lubricated for immediate use. Please relubricate with a similar type of grease regularly. Special lubricants must be matched with the same type of grease to prevent contamination.
- The SEB(S) and SER(S) Slide Guides have metal clip stoppers (picture below) to avoid a block fall-out during shipment and assembly. Please remove the stoppers only after installation is finished with a screwdriver as these clips should not be used as 'mechanical' stoppers.

Figure A-21 How to Take Off Metal Clip



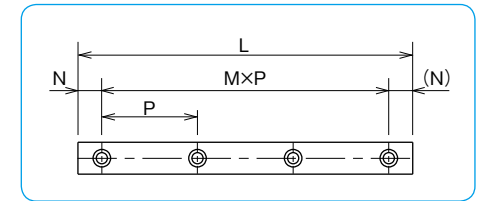
RAIL LENGTH

Guide Rail Length

Please refer to the maximum rail length for each type and size on the dimension table. Unless otherwise specified, the distance from one end of the rail to the first hole center (referred to as dimension "N") is within the range specified in the N dimension tables, satisfying the following equation. Please specify the N dimensions when out of the range.

$$L = M \cdot P + 2N$$

Figure A-22 Rail



L: length (mm) P: hole pitch (mm)
N: distance from the end of the rail to the first hole center (mm)
M: number of pitches.

JOINT RAILS

Rails can be joined together to obtain a length which exceeds the maximum length. There are two ways to do this.

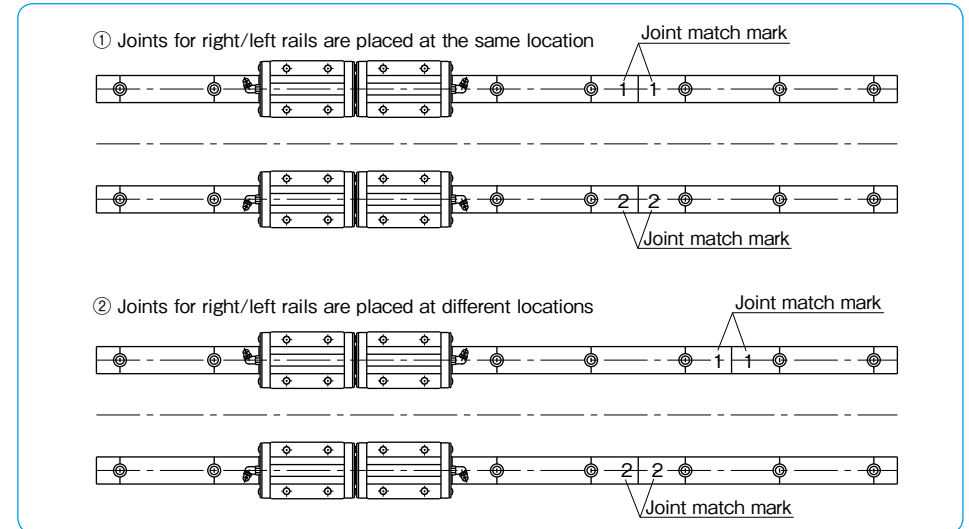
- Place the joints at the same location for the right and left rails so as to make the design and maintenance simple (Figure A-23 ①).
- Place the joints for the right and left rails at different locations so that the block does not move over the two joints at the same time so as to minimize the effect of the joint on accuracy (Figure A-23 ②).

Please keep the following points in mind when using joint rails.

- To avoid dislocation at joints due to shock loading, provide a shoulder at the joint on the installation side.
- If a shoulder cannot be provided, make sure that any excess load does not change the rail position.
- Use the joint marks provided for installation.
- Tightly butt the rails to be joined so that there is no gap between them.
- Make sure the reference surface side of the joint rails to be aligned.

Note: Joined rails are available for SGL and SGW series with standard grade, high grade, and with standard preload. For joined rails on SEB series, please contact NB. Joined rails are not available for GL and SER series.

Figure A-23 Examples of Joined Guide Rails



DUST PREVENTION

Seals

Side-Seal

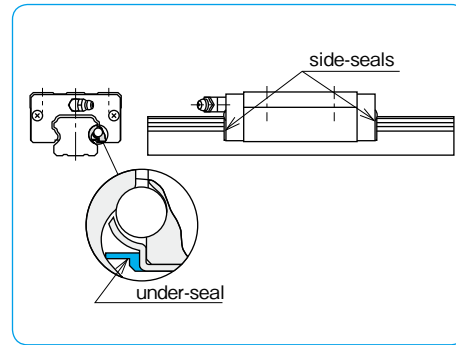
(Series: SEB, SER, SGL, GL, and SGW)

The side-seals prevent foreign particles and dust from entering the guide block in order to retain the motion accuracy, resulting in a long life time.

Under-Seal (Series: SGL, GL, and SGW)

Slide guides with side and under-seals are used in harsh environments or to prevent dust entering from below.

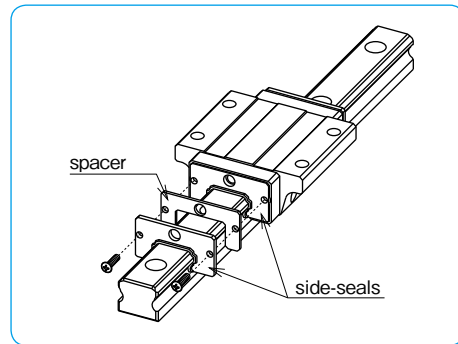
Figure A-24 Side-Seal and Under-Seal



Double Side-Seal Option (Series: SGL and GL)

With this option, the prevention against dust is greatly improved. Ideal for use in applications where bellows or covers are not able to be fitted over the slide guide system.

Figure A-25 Double Side-Seal



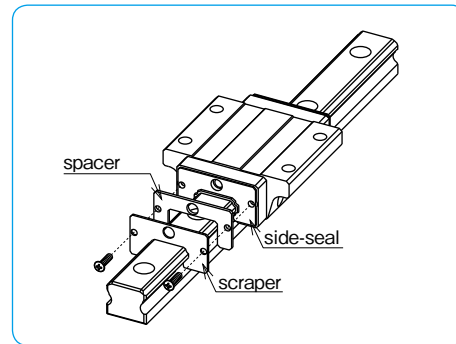
No Side-Seal (Series: SEB and SER)

When the presence of dust or debris is extremely low and only minor motion resistance is desired, a no side-seal option is available. Be aware that, with this option, dust prevention can not be expected.

Scraper Option (Series: SGL and GL)

When the application environment has unfavorable foreign matter or debris such as welding splatter or cutting debris, the scraper option provides an effective protective measure for the slide guide system.

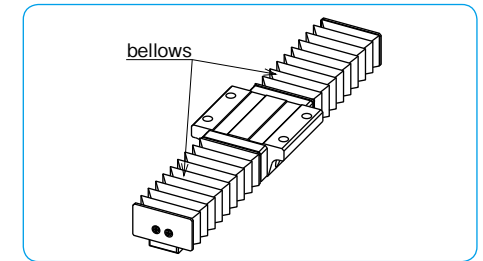
Figure A-26 Scraper



Bellows Option (Series: SGL and GL)

This option fully covers the guide rail preventing dust, debris, and other foreign particles from disrupting the smooth linear motion. (Refer to page A-16 for further details)

Figure A-27 Bellows



Special Cap

For SGL, GL, and SGW guides, special rail mounting caps are available to prevent dust from entering the mounting holes.

These caps are installed, after the rail is fixed to the base, by using a jig and slowly inserting them into the holes until their top surface is flush with the rail surface.

Figure A-28 Special Cap

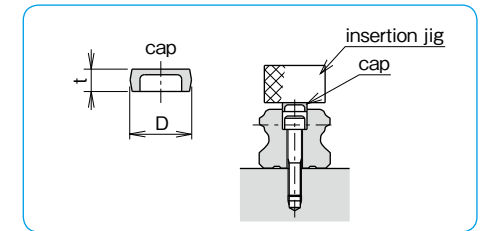


Table A-3 Special Cap

part number	dimensions		applicable part number				
	D mm	t mm	GL-F,E, TF,TE	GL-HTF, HTE	SGL-F,E, TF,TE	SGL-HTF,HYF HTE,HYE,HTEX	SGW
F 3	6.1	1.3	15	—	15	—	—
F 4	7.6	1.1	15D	15	15D	15	17,21,27
F 5	9.7	2.5	20	20	20	20	—
F 6	11.2	2.7	25,30	25	25,30	25	35
F 8	14.3	3.65	35	30,35	35	30,35	—
F12	20.3	4.65	—	45	—	45	—

ANTI-CORROSION

For anti-corrosion, the SEB and SER series are available in stainless steel material. Low temperature black chrome treatment can be specified for the SGL, GL, and SGW series. This treatment (LB) is suitable for applications where corrosion resistance is a requirement.

LUBRICATION

Lithium soap based grease is applied to NB slide guides prior to shipment for immediate use. Please relubricate with a similar type of grease periodically depending on the operating conditions.

For SGL, GL, and SGW types, the **Fiber Sheet** is available which significantly extends relubrication period (refer to page A-18).

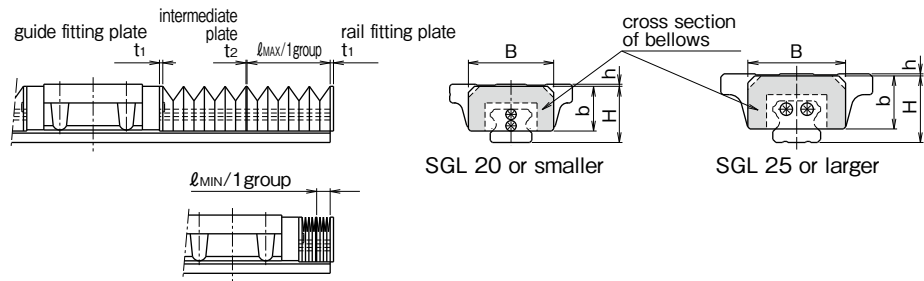
For use in clean rooms or vacuum environments, slide guides without grease or slide guides with customer specified grease are also available. Please contact NB.

NB also provides low dust generation grease. Please refer to page Eng-39 for details.

BELLOWS

By protecting the entire length of the guide rail, the dust prevention is greatly enhanced. Please refer to Figure A-29 for dimensions. External dimensions and the stroke length of slide guide will change with use of bellows.

Figure A-29 Dimensions of Slide Guide with Bellows



Note: Please do not unfasten the guide fitting plate screws. The slide guide becomes unfunctional if the guide fitting plate is removed.

part number		B	H	h	b	t1	t2	l _{MAX} /1group	l _{MIN} /1group
SGL15F/TF/E/TE	GL15F/TF/E/TE	33	23	1	19	1.5	1.0	32	6.5
SGL15HTE/HYE/HTEX	GL15HTE			5					
SGL15HTF/HYF	GL15HTF			5					
SGL20F/TF/E/TE	GL20F/TF/E/TE	41	27	1	21.5			40	
SGL20HTE/HYE/HTEX	GL20HTE			3				40	
SGL25F/TF/E/TE	GL25F/TF/E/TE	47	32	1	25.5			44	
SGL25HTE/HYE/HTEX	GL25HTE			8				44	
SGL25HTF/HYF	GL25HTF			4				44	
SGL30F/TF/E/TE	GL30F/TF/E/TE	58	40	2	31			56	
SGL30HTE/HYE/HTEX	GL30HTE			5				56	
SGL30HTF/HYF	GL30HTF	5	56						
SGL35F/TF/E/TE	GL35F/TF/E/TE	68	46	2	37	68			
SGL35HTE/HYE/HTEX	GL35HTE			9		68			
SGL35HTF/HYF	GL35HTF			9		68			
SGL45HTE/HYE/HTEX	GL45HTE	84	59	1	50	72			
SGL45HTF/HYF	GL45HTF			11		72			

Note: 1 group indicates the minimum unit of bellows. Please specify the required stroke length. When bellows are fitted to the guide block, the grease fitting cannot be installed. Please contact NB for details on the installation of bellows, as well as for special application usage.

Calculation Method of Length of Bellows and Slide Guide Rail

Example: In this case, one(1) piece of SGL15TE guide block is mounted on a rail with bellows; the required stroke is 440mm.

Number of groups required for a stroke of 440mm is calculated as follows.

$$\frac{\text{Stroke}}{l_{\text{MAX}} - l_{\text{MIN}}} = \frac{440}{32 - 6.5} = 17.2 \approx 18 \text{ groups (round up)}$$

When 18 groups of bellows are fitted, the maximum length l_1 is calculated:

$$l_1 = \text{guide fitting plate} + 1 \text{ group } l_{\text{MAX}} \times \text{number of groups} + \text{intermediate plate} \times (\text{number of groups} - 1) = 1.5 + 32 \times 18 + 1.0 \times (18 - 1) = 594.5$$

When 18 groups of bellows are fitted, the minimum length l_2 is calculated:

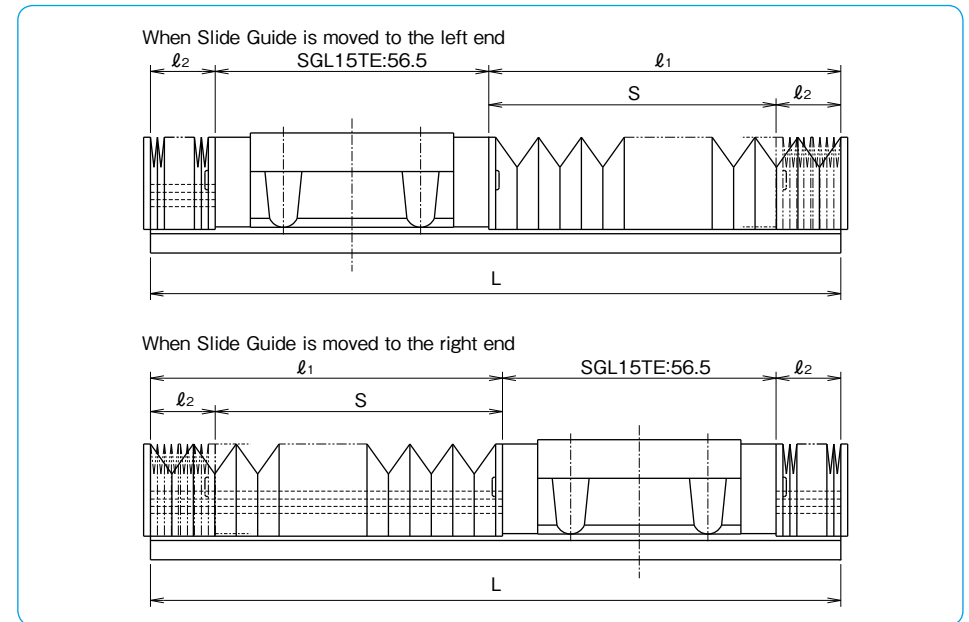
$$l_2 = \text{guide fitting plate} + 1 \text{ group } l_{\text{MIN}} \times \text{number of groups} + \text{intermediate plate} \times (\text{number of groups} - 1) = 1.5 + 6.5 \times 18 + 1.0 \times (18 - 1) = 135.5$$

With these calculation results, stroke limit (S) and length of the guide rail needed (L) are obtained as follows:

$$S = l_1 - l_2 = 594.5 - 135.5 = 459$$

$$L = l_1 + l_2 + \text{SGL15TE block} = 594.5 + 135.5 + 56.5 = 786.5 \approx 787 \text{ (round up)}$$

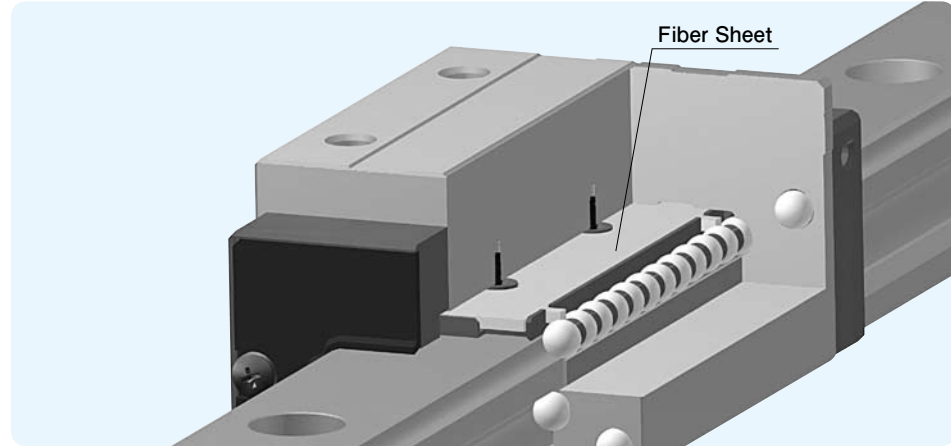
Figure A-30 External Diagram of Slide Guide with Bellows Attached



FIBER SHEET

The Fiber Sheet for the SGL, GL, and SGW types, significantly extends lubricant replenishment intervals and has an excellent durability even under harsh conditions with dust and debris that absorb lubricant. Embedded in a block body, as shown in Figure A-31, it does not change the length of the block. In addition, the Fiber Sheet does not require any change in mounting dimensions, which allows replacement with existing products without a design change.

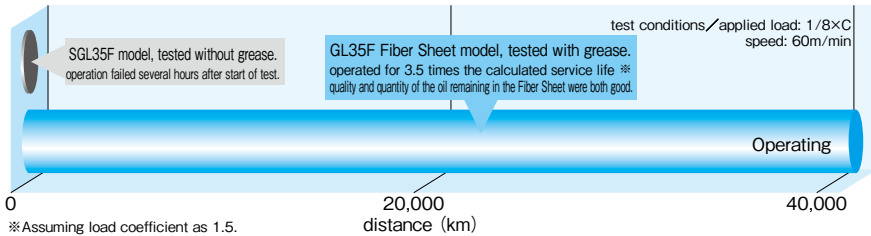
Figure A-31 Magnified View of the Fiber Sheet



Simplified Lubrication Management

NB's Fiber Sheet is a fiber material with a porous structure containing the lubricant oil. The oil is supplied to the ball elements at the proper time and with the proper amount by the principle of capillarity, greatly increasing the relubrication period.

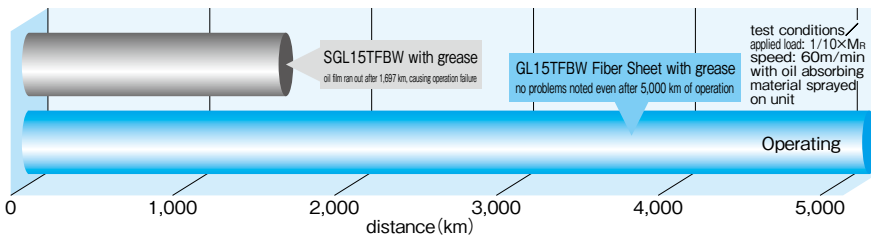
Figure A-32 Durability Test



Outstanding Durability Even Under Poor Operating Conditions

An acceleration test was performed with oil absorbing material sprayed on the units to validate the GL type's lubrication performance and durability even under poor operating conditions.

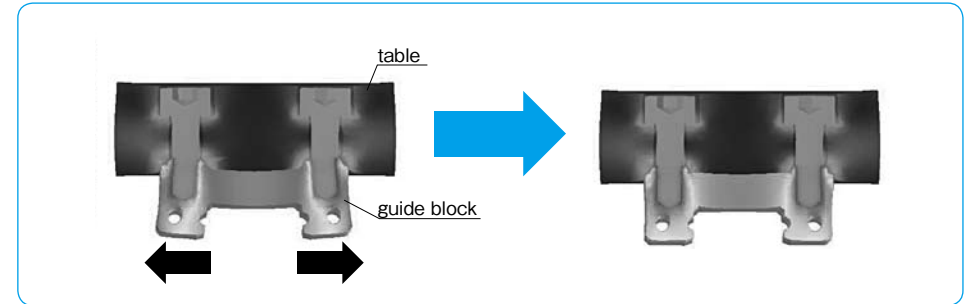
Figure A-33 Lubrication Acceleration Test



SEB TYPE AD PROFILE (Anti-Deforming)

The AD profile guide block can dissipate possible deformation by improved installation plane profile. (Patent Pending)

Figure A-34 SEB type AD profile



Note:

When NB's unique AD Profile type miniature guide block is selected, the following precautions should be taken into consideration to perform to its utmost advantage.

- To obtain maximum AD (Anti-Deforming) effect, flatness of the mounting surface should be finished the same as motion accuracy of the slide guide.
- When the table is designed with one guide block on one guide rail, the utmost AD effect is anticipated.
- All screws on the slide guide block should be tightened to the equal torque value.
- The AD profile type guide block is available only with standard preload.
- AD profile type guide blocks are available only with following part numbers of slide guide block.

Applicable Part Number

Figure A-4 AD profile Applicable Part Number

part number			
SEBS 7B	SEBS 7BM	—	SEBS 7A
SEBS 7BY	SEBS 7BYM		SEBS 7AY
SEBS 9B	SEBS 9BM	SEB 9A	SEBS 9A
SEBS 9BY	SEBS 9BYM	SEB 9AY	SEBS 9AY
SEBS12B	SEBS12BM	SEB12A	SEBS12A
SEBS12BY	SEBS12BYM	SEB12AY	SEBS12AY
SEBS15B	SEBS15BM	SEB15A	SEBS15A
SEBS15BY	SEBS15BYM	SEB15AY	SEBS15AY
SEBS20B	SEBS20BM	SEB20A	SEBS20A
SEBS20BY	SEBS20BYM	SEB20AY	SEBS20AY

part number structure

SEBS 15B UU 2-589 N P AD

AD profile

※Please contact NB for details.

SLIDE GUIDE Miniature SEB Type

The NB slide guide SEB type is a linear motion bearing in which the ball elements roll along two raceway grooves. This is the smallest and lightest slide guide series offered by Nippon Bearing. The compact design allows for the size and weight of machinery and other equipment to be reduced.

STRUCTURE AND ADVANTAGES

The SEB type slide guide consists of a rail with precisely machined raceway grooves and a block assembly consisting of the main body, return caps and ball elements.

Retained Ball

Because of the ball retainers, the SEBS-B type is able to be removed from the guide rail, simplifying its installation and resulting in lower assembly costs.

All Stainless Steel Type

By using stainless steel for the return caps, the SEBS-BM type is made of all stainless steel components, making it the ideal choice for special environments such as high temperature, clean room, or vacuum applications.

Moment Resistant

A wide block (WB/WA) type, a long block (BY/AY) type, and a wide/long block (WBY/WAY) type are moment resistant slide guide types. The most

suitable type can be selected for any demanding operating condition.

Tapped Hole Rail Type

For the SEB rails, counterbore (standard) and optional tapped hole (N) types are available enabling various installation methods.

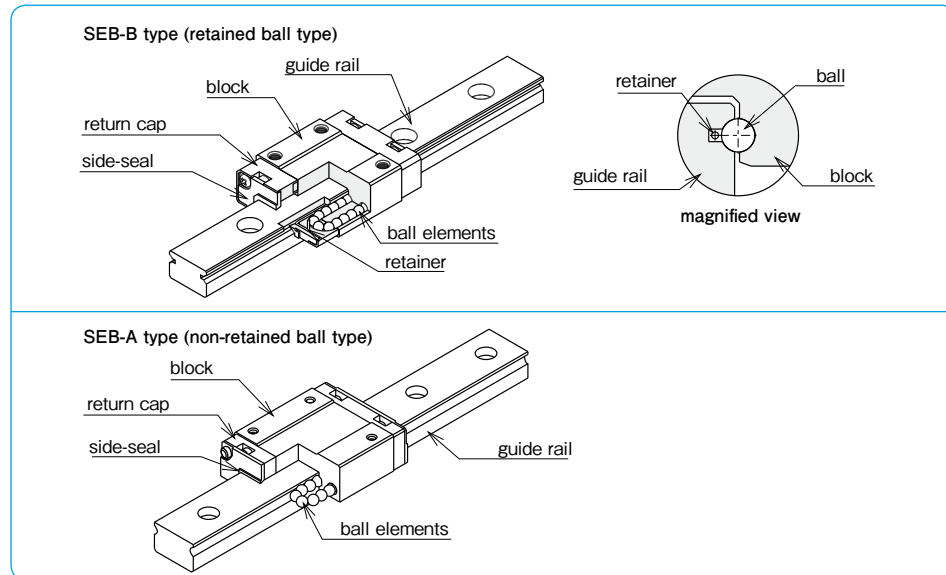
Compact Design

SEB type has a 2-row, 4-point contact structure. This structure minimizes the installation height, which contributes to light-weight and miniaturization of machinery and equipment.

AD Profile

AD profile dissipates guide block deformation caused by installation. (refer to page A-19)

Figure A-35 Structure of SEB type Slide Guide



TYPES

The SEB(S) type slide guides are categorized according to their block shape and the rail installation method.

Table A-5 Type

	standard block standard type rail (counterbore)	long block standard type rail (counterbore)	standard block N type rail (tapped hole)	long block N type rail (tapped hole)
retained ball type	SEBS-B type P.A-26	SEBS-BY type P.A-26	SEBS-B-N type P.A-26	SEBS-BY-N type P.A-26
	SEBS-BM type P.A-26	SEBS-BYM type P.A-26	SEBS-BM-N type P.A-26	SEBS-BYM-N type P.A-26
	SEBS-WB type P.A-28	SEBS-WBY type P.A-28	SEBS-WB-N type P.A-28	SEBS-WBY-N type P.A-28
	SEB-A type P.A-30	SEB-AY type P.A-30	SEB-A-N type P.A-30	SEB-AY-N type P.A-30
	SEB-WA type P.A-32	SEB-WAY type P.A-32	SEB-WA-N type P.A-32	SEB-WAY-N type P.A-32
	all stainless steel			
wide type				
non-retained ball type				
wide type				

ACCURACY

The SEB(S) slide guides are available in two grades of accuracy: high grade and precision grade (P).

Table A-6 Accuracy unit / mm

accuracy grade	high	precision
accuracy symbol	blank	P
allowable dimensional difference in height H	±0.020	±0.010
paired difference for height H	0.015	0.007
allowable dimensional difference in width W	±0.025	±0.015
paired difference for width W	0.020	0.010
running parallelism of surface C to surface A	refer to figure A-36,37	
running parallelism of surface D to surface B		

Figure A-36 Accuracy

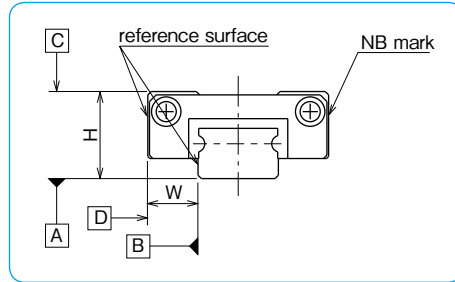
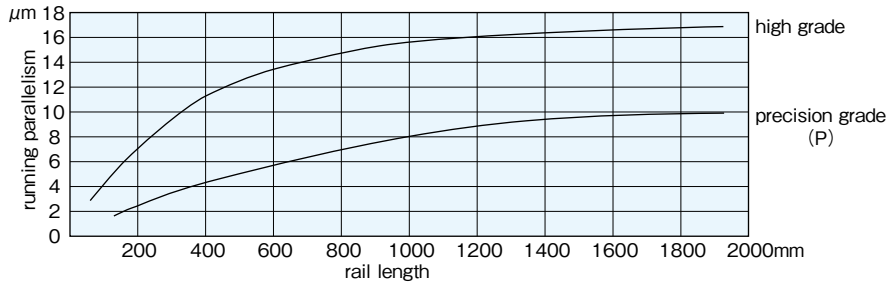


Figure A-37 Motion Accuracy



PRELOAD

SEB(S) slide guides are available with a standard preload (blank), light preload (T1), and a positive-clearance (T0).

Table A-7 Preload Symbol and Radial Clearance unit / μm

size	preload and symbol		
	clearance T0	standard blank	light T1
2	+1~+3	-	-
3			
5			
7	+3~+6	-3~0	-4~-2
9			
12			
15	+4~+8	-3~0	-7~-3
20			
3W			
5W	+1~+3	-1~0	-
7W	+3~+6	-3~0	-4~-2
9W			
12W			
15W			

Table A-8 Operating Conditions and Preload

preload	symbol	operating conditions
clearance	T0	light motion is required. installation errors to be absorbed.
standard	blank	minute vibration is applied. accurate motion is required. moment is applied in a given direction.
light	T1	light vibration is applied. light torsional load is applied. moment is applied.

LOAD RATING

The load rating for SEB(S) slide guides depends on the direction of load.

Table A-9 Load Rating

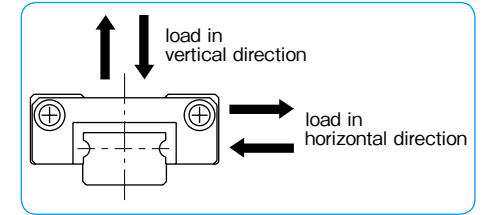
		retained ball type	non-retained ball type
basic dynamic load rating	vertical	1.00 × C	1.00 × C
	horizontal	0.89 × C	1.13 × C
basic static load rating	vertical	1.00 × C ₀	1.00 × C ₀
	horizontal	0.84 × C ₀	1.19 × C ₀

EQUIVALENT LOAD

For a guide to which vertical load and horizontal load are applied at the same time, calculate its static equivalent load using the following equation.

$$P = P_a + X \cdot P_s$$

Figure A-38 Direction of Load



P: equivalent load P_a: vertical load P_s: horizontal load
X: 0.84 for SEB-A type; 1.19 for SEBS-B type

RAIL LENGTH

Slide guides with most commonly used lengths are available as standard. For slide guides with a non-standard length, unless otherwise specified, the distance from one end of the rail to the first hole center (N) will be within the ranges listed in Tables A-10 and A-11, satisfying the following equation.

$$L = M \cdot P + 2N$$

L: length (mm) M: number of pitches P: hole pitch (mm)
N: distance from the end of the rail to the first hole center (mm)

Figure A-39 Rail

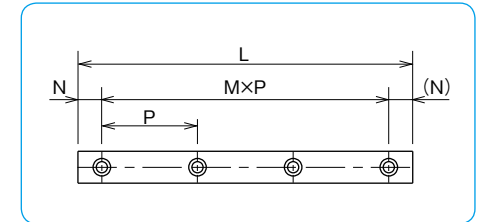


Table A-10 N Dimension (standard type) unit/mm

size	N	
	and over	less than
2	3	7
3		8
5		10.5
7	4	14
9		16.5
12		24
15		36
20	6	36

Table A-11 N Dimension (wide type) unit/mm

size	N	
	and over	less than
3W	3	10.5
5W		14
7W	4	19
9W		25
12W	5	25
15W		25

MOUNTING

Mounting Surface Profile

Slide guides are mounted by pushing the reference surface of the rail and the block against the shoulder provided on the mounting surface. An escape groove or a radius corner should be provided at the corner of the shoulder to prevent interference. The recommended shoulder height values on the mounting reference surface are shown in Table A-12. (Table A-13 for corner radius)

Figure A-40 Mounting Surface Profile-1

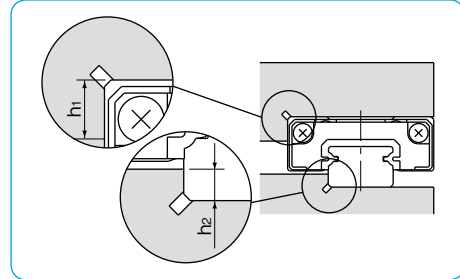


Figure A-41 Mounting Surface Profile-2

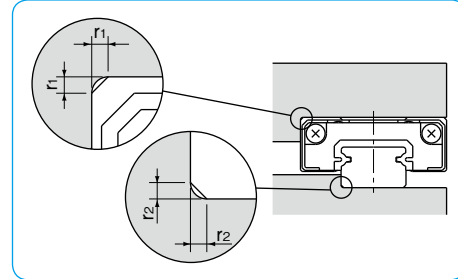


Table A-12 Shoulder Height on the Mounting Reference Surface unit/mm

size	shoulder height on the block side h ₁	shoulder height on the rail side h ₂
2	1	0.5
3	1.2	0.8
5	2	1
7	2.5	1
9	3	1.5
12	4	2
15	5	3.5
20	5	5
3W	1.5	0.8
5W	2	1
7W	3	1.5
9W	3	1.5
12W	4	2.5
15W	5	2.5

Table A-13 Maximum Corner Radius Values unit/mm

size	block mounting part r ₁	rail mounting part r ₂
2	0.1	0.1
3	0.15	0.1
5	0.3	0.3
7		
9		
12		
15	0.5	0.5
20		
3W	0.15	0.1
5W	0.3	0.3
7W		
9W		
12W		
15W		

Recommended Torque Values

The screws to fasten the rail should be tightened to an equal torque using a torque wrench in order to secure the motion accuracy. The recommended torque values are given in Tables A-14. Please adjust the torque depending on the operating conditions.

Table A-14 Recommended Torque unit/N·m

size	M1	M1.4	M1.6	M2	M2.6	M3	M4	M5	M6
recommended torque	0.03	0.10	0.15	0.3	0.65	1.0	2.3	4.7	8.0

(for stainless steel screw A2-70)

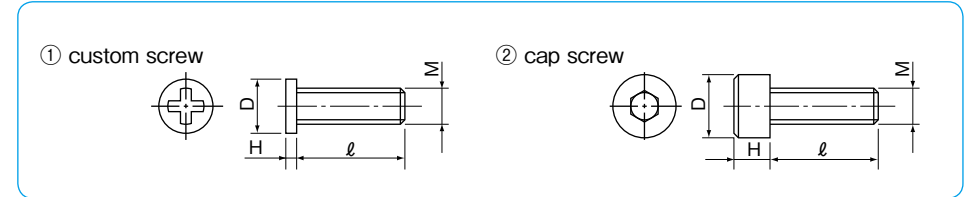
MOUNTING SCREW

Extremely small custom screws are available from NB.

Table A-15 Mounting Screw (stainless steel) unit/mm

type	shape	size	D mm	H mm	pitch mm	ℓ mm
custom screw	Figure A-42①	M1	1.8	0.45	0.25	3, 4, 5
		M1.4	2.5	0.8	0.3	2.5, 3, 4
		M1.6	2.3	0.5	0.35	4, 5, 6
		M2	3	0.6	0.4	6
cap screw	Figure A-42②	M2	3.8	2	0.4	4, 5, 6, 8, 10
		M2.6	4.5	2.6	0.45	4, 5, 6, 8, 10

Figure A-42 Mounting Screw



LUBRICATION

A high grade lithium soap based grease is applied to the NB slide guides prior to shipment for immediate use.

Please relubricate with a similar type of grease periodically depending on the operating conditions. For use in clean rooms or vacuum environments, NB slide guides without grease are available upon request.

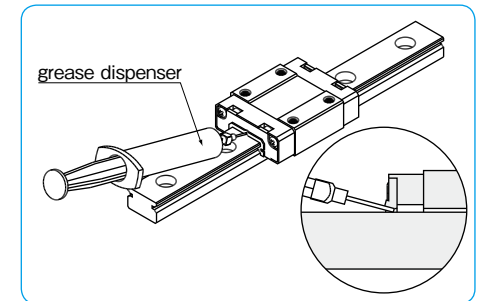
Please contact NB for customer specified grease types.

A special syringe lubricant dispenser (refer to Figure A-43) is available from NB as an option. In particular, the SEBS-B retained ball type has a special structure that allows the user to replenish lubricant easily (patented), as the magnified view of Figure A-43 shows.

Please refer to page Eng-39 for details on the low dust generation grease.

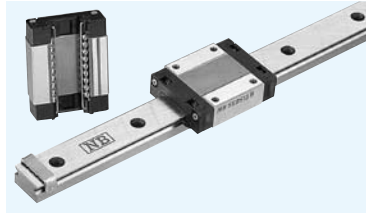


Figure A-43 Greasing Method



SEBS-B/SEBS-BY TYPE SEBS-BM/SEBS-BYM TYPE

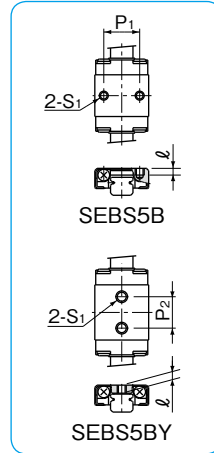
— Retained Ball Type —



part number structure

example **SEBS 15B Y M UU 2 T1 - 589 N P / W2**

- SEBS: anti-corrosion
- size
- block
- blank: standard
- Y: long
- return cap
- blank: resin
- M: stainless steel
- seal
- blank: without side-seal
- UU: with side-seals
- number of blocks attached to one rail
- preload symbol
- TO: clearance
- blank: standard
- T1: light
- symbol for number of axes*
 - blank: single axis
 - W2: 2 parallel axes
 - W3: 3 parallel axes
- accuracy grade
- blank: high
- P: precision
- rail mounting hole
- blank: counterbore
- N: tapped hole
- total length of rail

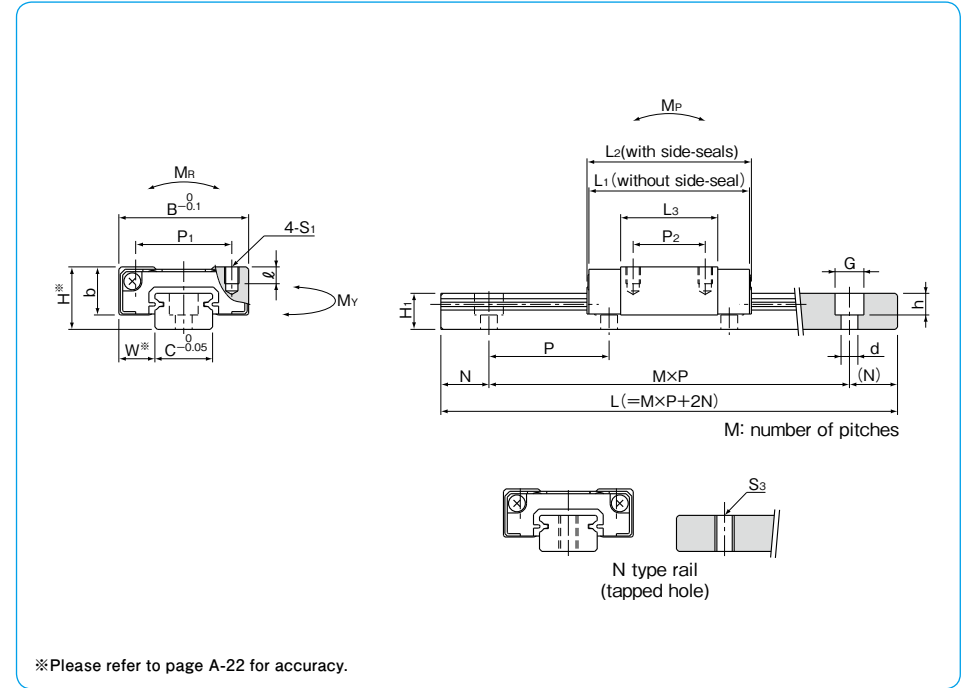


* The symbol for the number of axes does not mean the number of rails ordered.

part number		assembly dimensions		block dimensions										
resin return cap	stainless return cap	H	W	B	L ₁	L ₂	P ₁	P ₂	S ₁	ℓ	L ₃	b		
mm	mm	mm	mm	mm	mm	mm	mm	mm	mm	mm	mm	mm		
SEBS 5B	SEBS 5BM	6	3.5	12	16.5	16.9	8	—	M2	1.5	9.3	4.5		
SEBS 5BY	SEBS 5BYM				19.5	19.9	—	7	M2.6	1.8	12.3			
SEBS 7B	SEBS 7BM	8	5	17	23	23	12	8	M2	2.5	12.8	6.5		
SEBS 7BY	SEBS 7BYM				32.5	32.5		13			22.3			
SEBS 9B	SEBS 9BM	10	5.5	20	30.8	30.8	15	10	M3	3	19.6	7.8		
SEBS 9BY	SEBS 9BYM				40.3	40.3		16			29.1			
SEBS12B	SEBS12BM	13	7.5	27	33.8	34.2	20	15	M3	3.5	20.2	10		
SEBS12BY	SEBS12BYM				45.7	46.1		20			32.1			
SEBS15B	SEBS15BM	16	8.5	32	42.6	43	25	20	M4	4	27.6	12		
SEBS15BY	SEBS15BYM				58.6	59		25			43.6			
SEBS20B	SEBS20BM	25	13	46	65.9	65.9	38	38	M4	6	44.7	17.5		
SEBS20BY	SEBS20BYM				85.7	85.7		38			64.5			

part number	standard rail length L mm																	
SEBS 5B	40	55	70	85	100	115	130	145	160									
SEBS 7B	40	55	70	85	100	115	130	145	160	175	190	205	220	235	250	265		
SEBS 9B	55	75	95	115	135	155	175	195	215	235	255	275	295	315	335	355		
SEBS12B	70	95	120	145	170	195	220	245	270	295	320	345	370	395	420	445		
SEBS15B	70	110	150	190	230	270	310	350	390	430	470	510	550	590	630	670		
SEBS20B	220	280	340	400	460	520	580	640	700	760	820	880	940	1,000				

Rails exceeding the maximum specified length may be fabricated if joints are used. Please contact NB for assistance.

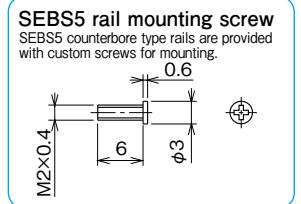


*Please refer to page A-22 for accuracy.

guide rail dimensions						basic load rating		allowable static moment			mass		guide rail	block size
H ₁	C	d × G × h	S ₃	N	P	dynamic C	static Co	M _P	M _Y	M _R	resin return cap	stainless return cap	g/100mm	
mm	mm	mm	mm	mm	mm	kN	kN	N · m	N · m	N · m				
4	5	2.4 × 3.5 × 0.8	M2.6	5	15	0.52	0.76	1.14	0.96	1.97	3	4	13	5B
						0.64	1.01	1.95	1.64	2.62	4	5		
4.7	7	2.4 × 4.2 × 2.3	M3	5	15	1.29	1.69	3.66	3.07	6.18	9	12	21	7B
						1.90	2.96	10.42	8.74	10.82	15	18		
5.5	9	3.5 × 6 × 3.5	M4	7.5	20	1.71	2.54	7.78	6.53	11.81	18	22	31	9B
						2.27	3.80	16.84	14.13	17.71	27	31		
7.5	12	3.5 × 6 × 4.5	M4	10	25	3.10	3.83	12.43	10.43	23.91	35	44	59	12B
						4.35	6.22	30.73	25.78	38.85	53	62		
9.5	15	3.5 × 6 × 4.5	M5	15	40	5.66	6.76	29.29	24.58	52.41	64	77	97	15B
						7.94	10.99	72.43	60.78	85.16	98	110		
15	20	6 × 9.5 × 8.5	M6	20	60	11.45	14.58	103.69	87.00	149.50	228	266	205	20B
						14.88	21.21	210.80	176.88	217.45	323	360		

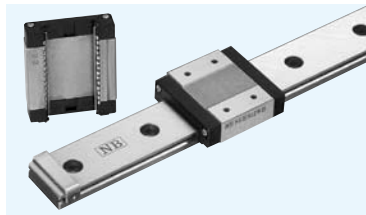
1kN ≅ 102kgf 1N · m ≅ 0.102kgf · m

				maximum length mm	
				counterbore	tapped hole (N type)
				600	300
280	295	310		1,000	700
375	395	415	435	455	475
470	495			1,300	1,000



SEBS-WB/SEBS-WBY TYPE

— Retained Ball · Wide Type —



part number structure

example **SEBS 15WB Y UU 2 T1 - 539 N P / W2**

SEBS:
anti-corrosion

size

block
blank: standard
Y: long

seal
blank: without side-seal
UU: with side-seals

number of blocks attached to one rail

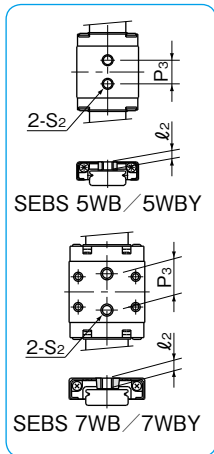
preload symbol
TO: clearance
blank: standard
T1: light

symbol for number of axes*
blank: single axis
W2: 2 parallel axes
W3: 3 parallel axes

accuracy grade
blank: high
P: precision

rail mounting hole
blank: counterbore
N: tapped hole

total length of rail

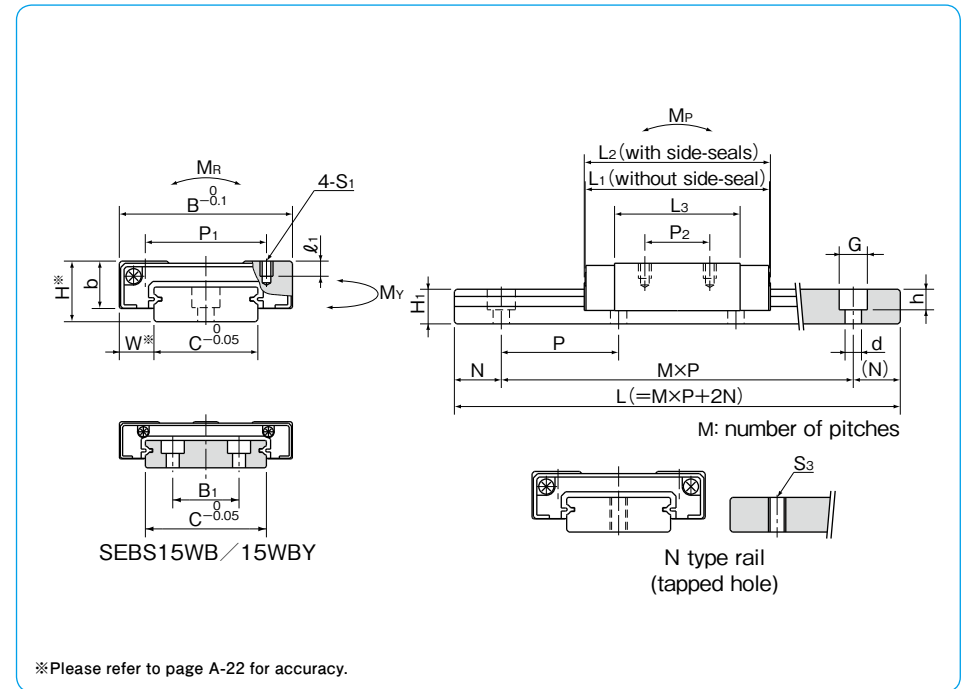


* The symbol for the number of axes does not mean the number of rails ordered.

part number	assembly dimensions		block dimensions											
	H	W	B	L1	L2	P1	P2	S1	l1	L3	P3	S2	l2	b
	mm	mm	mm	mm	mm	mm	mm		mm	mm	mm	mm	mm	mm
SEBS 5WB	6.5	3.5	17	21.3	21.7	—	—	—	—	14.3	6.5	M3	2.3	5
SEBS 5WBY				27.3	27.7					20.3	11			
SEBS 7WB	9	5.5	25	31.4	31.4	19	10	M3	2.8	20.2	12	M4	3.5	7
SEBS 7WBY				40.1	40.1					28.9	18			
SEBS 9WB	12	6	30	38.5	38.5	21	12	M3	3	26.3	—	—	—	9
SEBS 9WBY				50.5	50.5	23	24			38.3				
SEBS 12WB	14	8	40	42.6	43	28	15	M3	3.6	29	—	—	—	11
SEBS 12WBY				58.1	58.5					28	28			
SEBS 15WB	16	9	60	54.2	54.6	45	20	M4	4.5	38.8	—	—	—	13
SEBS 15WBY				73.3	73.7					35	57.9			

part number	standard rail length L mm														
SEBS 5WB	50	70	90	110	130	150	170	190							
SEBS 7WB	50	80	110	140	170	200	230	260	290	320	350	380	410	440	470
SEBS 9WB	50	80	110	140	170	200	230	260	290	320	350	380	410	440	470
SEBS 12WB	70	110	150	190	230	270	310	350	390	430	470	510	550	590	630
SEBS 15WB	70	110	150	190	230	270	310	350	390	430	470	510	550	590	630

Rails exceeding the maximum specified length may be fabricated if joints are used. Please contact NB for assistance. The minimum standard rail can not be used for SEBS 9 WBY and SEBS 15 WBY.



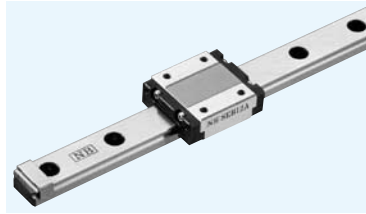
*Please refer to page A-22 for accuracy.

H1	C	guide rail dimensions				S3	N	P	basic load rating		allowable static moment			mass		block size
		B1	d×G×h	mm	mm				dynamic C	static Co	MP	MY	MR	block g	guide rail g/100mm	
mm	mm	mm	mm	mm	mm	mm	mm	mm	kN	kN	N·m	N·m	N·m	g	g/100mm	
4	10	—	3×5.5×3	M3	5	20	0.71	1.18	2.61	2.19	6.00	7	26	26	5WB	
							0.91	1.68	5.17	4.33	8.57	10				5WBY
5.2	14	—	3.5×6×3.2	M4	10	30	1.71	2.54	7.78	6.53	18.15	20	51	51	7WB	
							2.27	3.80	16.84	14.13	27.22	28				7WBY
7.5	18	—	3.5×6×4.5	M4	10	30	2.97	4.37	18.14	15.22	40.41	37	96	96	9WB	
							3.87	6.38	37.43	31.41	59.05	52				9WBY
8	24	—	4.5×8×4.5	M5	15	40	4.11	5.74	26.42	22.16	70.29	71	137	137	12WB	
							5.46	8.61	57.16	47.96	105.44	106				12WBY
9.5	42	23	4.5×8×4.5	M5	15	40	7.50	10.14	62.27	52.25	215.53	148	286	286	15WB	
							9.95	15.21	134.73	113.05	323.30	216				15WBY

1kN≒102kgf 1N·m≒0.102kgf·m

		maximum length mm	
		counterbore	tapped hole (N type)
		600	500
		1,000	700
500	530		
670	710	1,300	1,000
670	710	750	790
670	710	830	870

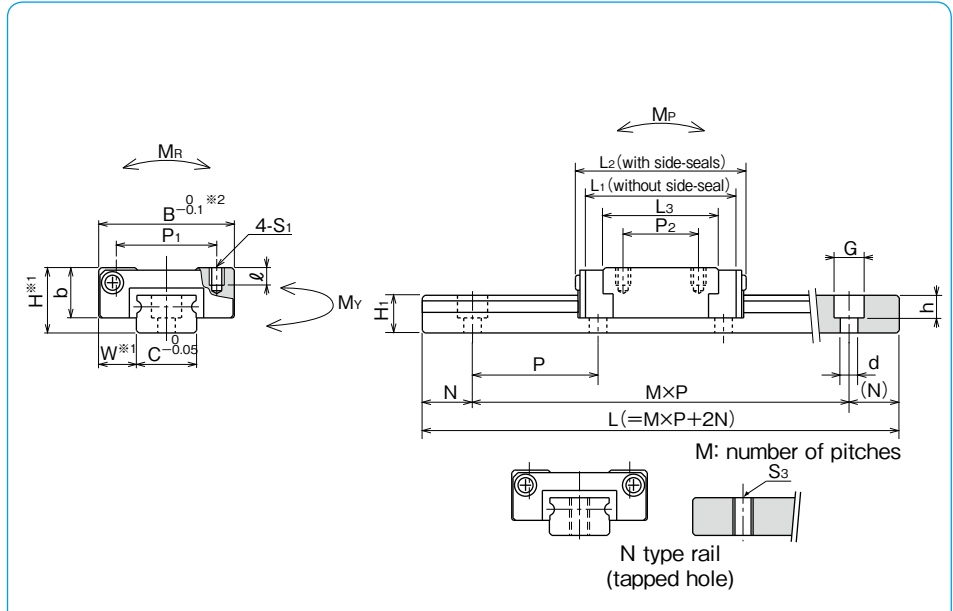
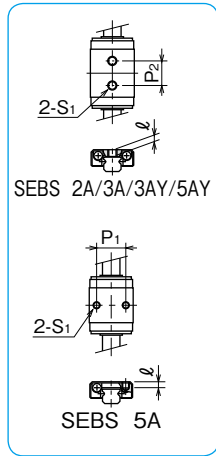
SEB-A/AY TYPE



part number structure

example **SEBS 15A Y UU 2 T1 -5B9 N P/W2**

specification SEB: standard SEBS: anti-corrosion	size	block blank: standard Y: long	seal blank: without side-seal UU: with side-seals	number of blocks attached to one rail	preload symbol TO: clearance blank: standard T1: light	symbol for number of axes* blank: single axis W2: 2 parallel axes W3: 3 parallel axes	accuracy grade blank: high P: precision	rail mounting hole blank: counterbore N: tapped hole	total length of rail
--	------	-------------------------------------	---	---------------------------------------	---	--	---	--	----------------------



*Please refer to page A-22 for accuracy.
B^{-0.1} only for SEBS 2A, 3A and 3AY.

* The symbol for the number of axes does not mean the number of rails ordered.

part number		assembly dimensions		block dimensions									
standard	anti-corrosion	H	W	B	L ₁	L ₂	P ₁	P ₂	S ₁	ℓ	L ₃	b	
mm	mm	mm	mm	mm	mm	mm	mm	mm	mm	mm	mm	mm	
—	SEBS 2A	3.2	2	6	12.9	14.3	—	4	M1.4	1.05	9.3	2.5	
—	SEBS 3A	4	2.5	8	10.5	11.8	—	3.5	M1.6	1.3	6.5	3	
—	SEBS 3AY				14.5	15.8	—	5.5	M2		10.5		
—	SEBS 5A	6	3.5	12	15.6	17	—	8	M2	1.5	9.8	4.5	
—	SEBS 5AY				19.2	20.6	—	7	M2.6		1.8		13.4
—	SEBS 7A	8	5	17	21.9	24	12	8	M2	2.5	15.1	6.5	
—	SEBS 7AY				31	33		13			24.6		
SEB 9A	SEBS 9A	10	5.5	20	28.1	29.5	15	10	M3	3	20.4	7.8	
SEB 9AY	SEBS 9AY				38.1	40		16			30.4		
SEB12A	SEBS12A	13	7.5	27	30	33.5	20	15	M3	3.5	22.8	10	
SEB12AY	SEBS12AY				42	45.5		20			34.7		
SEB15A	SEBS15A	16	8.5	32	38.5	42	25	20	M3	4	29.5	12	
SEB15AY	SEBS15AY				54.5	58		25			45.4		
SEB20A	SEBS20A	25	13	46	55.7	61	38	38	M4	6	45.7	17.5	
SEB20AY	SEBS20AY				79.5	85		38			69.5		

part number		standard rail length														
standard	anti-corrosion	L														
mm	mm	mm														
—	SEBS 2A	32	40	56	80	104										
—	SEBS 3A	30	40	60	80	100										
—	SEBS 5A	40	55	70	85	100	115	130	145	160						
—	SEBS 7A	40	55	70	85	100	115	130	145	160	175	190	205	220	235	250
SEB 9A	SEBS 9A	55	75	95	115	135	155	175	195	215	235	255	275	295	315	335
SEB12A	SEBS12A	70	95	120	145	170	195	220	245	270	295	320	345	370	395	420
SEB15A	SEBS15A	70	110	150	190	230	270	310	350	390	430	470	510	550	590	630
SEB20A	SEBS20A	220	280	340	400	460	520	580	640	700	760	820	880	940	1,000	

Joint rails are used when the required length exceeds the maximum standard length listed in the dimension tables. Please contact NB for details. Only N type rail is available for SEBS 2A and SEBS 3A.

guide rail dimensions						basic load rating		allowable static moment			mass		block size
H ₁	C	S ₃	d×G×h	N	P	dynamic C	static Co	M _P	M _Y	M _R	block	guide rail	block size
mm	mm		mm	mm	mm	kN	kN	N·m	N·m	N·m	g	g/100mm	
2	2	M1	—	4	8	0.21	0.38	0.53	0.64	0.41	0.8	2.8	2A
2.6	3	M1.6	—	5	10	0.25	0.36	0.39	0.46	0.57	1	5	3A
						0.35	0.58	0.97	1.16	0.93	2		5A
4	5	M2.6	2.4×3.5×1	5	15	0.59	0.81	1.32	1.58	2.11	4	13	5AY
						0.74	1.11	2.39	2.86	2.90	5		7A
4.7	7	M3	2.4×4.2×2.3	5	15	1.08	1.41	3.07	3.66	5.18	11	21	7AY
						1.59	2.48	8.74	10.4	9.07	16		9A
5.5	9	M4	3.5×6×3.5	7.5	20	1.92	2.53	7.64	9.11	11.5	19	30	9AY
						2.62	3.94	17.5	20.8	17.9	28		12A
7.5	12	M4	3.5×6×4.5	10	25	2.60	3.20	10.4	12.4	20.0	37	60	12AY
						3.65	5.21	25.7	30.7	32.6	55		15A
9.5	15	M5	3.5×6×4.5	15	40	4.74	5.67	24.5	29.2	43.9	68	100	15AY
						6.65	9.22	60.7	72.4	71.4	101		20A
15	20	M6	6×9.5×8.5	20	60	8.99	11.1	72.7	86.7	114	226	209	20AY
						12.4	17.8	176	210	182	338		20AY

1kN≒102kgf 1N·m≒0.102kgf·m

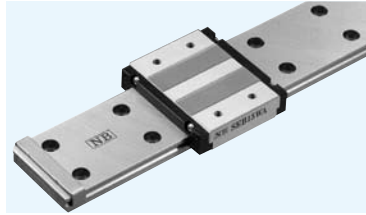
	maximum counterbore		length mm					
	standard	anti-corrosion	tapped hole (N type)	standard				
—	—	—	—	150				
—	—	—	—	150				
—	—	600	—	300				
—	—	1,000	—	700				
265	280	295	310	—				
355	375	395	415	435	455	475	500	500
445	470	495	—	—	—	—	1,300	1,000
670	—	—	—	—	—	—	1,900	1,900

SEBS5 rail mounting screw
SEBS5 counterbore type rails are provided with custom screws for mounting.

M2×0.4, 0.6, 6, 3

SEB-WA/SEB-WAY TYPE

— Wide Type —



part number structure

example **SEBS 15WA Y UU 2 T1 - 539 N P / W2**

specification
SEB: standard
SEBS: anti-corrosion

size

block
blank: standard
Y: long

seal
blank: without side-seal
UU: with side-seals

number of blocks attached to one rail

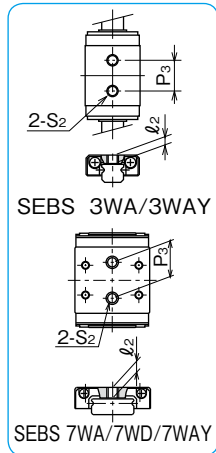
preload symbol
TO: clearance
blank: standard
T1: light

symbol for number of axes*
blank: single axis
W2: 2 parallel axes
W3: 3 parallel axes

accuracy grade
blank: high
P: precision

rail mounting hole
blank: counterbore
N: tapped hole

total length of rail

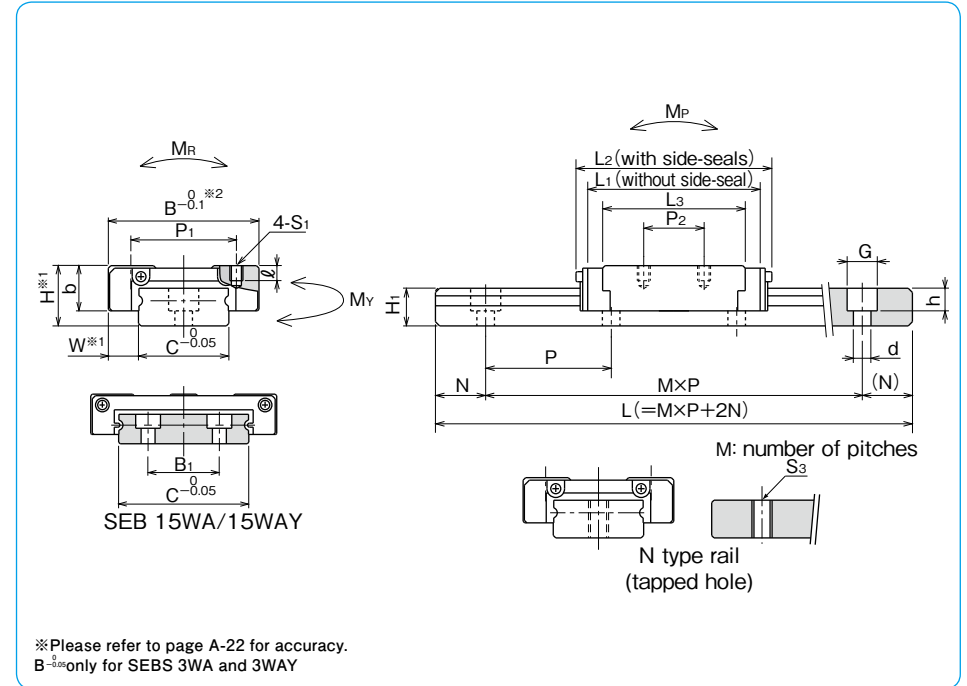


* The symbol for the number of axes does not mean the number of rails ordered.

part number		assembly dimensions		block dimensions												
		H	W	B	L ₁	L ₂	P ₁	P ₂	S ₁	ℓ	L ₃	P ₃	S ₂	ℓ ₂	b	
standard	anti-corrosion	mm	mm	mm	mm	mm	mm	mm	mm	mm	mm	mm	mm	mm	mm	
—	SEBS 3WA SEBS 3WAY	4.5	3	12	14.2 19	15 19.8	—	—	—	—	9.7 14.5	4.5 8	M2	1.7	3.5	
—	SEBS 7WA SEBS 7WD SEBS 7WAY	9	5.5	25	30.1 39.6	32 41	18 19	12 19	M2.6 M3	2.5 2.8	22.1 31.6	12 18	M4	3.5	7	
SEB 9WA SEB 9WD SEB 9WAY	SEBS 9WA SEBS 9WD SEBS 9WAY	12	6	30	35.9 48	38 50	21 23	12 24	M2.6 M3	3 3	28.4 40.4	— —	— —	— —	9	
SEB12WA SEB12WAY	SEBS12WA SEBS12WAY	14	8	40	40.7 55	44 58.5	28	15 28	M3	3.5	33.5 47.8	— —	— —	— —	11	
SEB15WA SEB15WAY	SEBS15WA SEBS15WAY	16	9	60	51.2 70.5	55 74	45	20 35	M4	4.5	42 61.1	— —	— —	— —	13	

part number		standard rail length L mm																
standard	anti-corrosion	40	55	70	85	100	140	170	200	230	260	290	320	350	380	410	440	470
—	SEBS 3WA	40	55	70	85	100												
—	SEBS 7WA	50	80	110	140	170	200	230	260	290	320	350	380	410	440	470		
SEB 9WA	SEBS 9WA	50	80	110	140	170	200	230	260	290	320	350	380	410	440	470		
SEB12WA	SEBS12WA	70	110	150	190	230	270	310	350	390	430	470	510	550	590	630		
SEB15WA	SEBS15WA	70	110	150	190	230	270	310	350	390	430	470	510	550	590	630		

Joint rails are used when the required length exceeds the maximum standard length listed in the dimension tables. Please contact NB for details. SEB9WAY and SEB15WAY block lengths exceed the minimum standard rail length.



guide rail dimensions						basic load rating		allowable static moment			mass		block size	
H ₁	C	B ₁	S ₃	d×G×h	N	P	dynamic C	static Co	M _P	M _Y	M _R	block g		guide rail g/100mm
mm	mm	mm	mm	mm	mm	mm	kN	kN	N·m	N·m	N·m	g	g/100mm	
2.6	6	—	M3	2.4×4×1.5	5	15	0.33 0.44	0.54 0.81	0.83 1.81	0.99 2.15	1.67 2.51	3 4	10	3WA 3WAY
5.2	14	—	M4	3.5×6×3.2	10	30	1.43	2.12	6.53	7.78	15.2	21	51	7WA 7WD 7WAY
							1.90	3.19	14.1	16.8	22.8	30		
7.5	18	—	M5	3.5×6×4.5	15	40	2.49	3.66	15.2	18.1	33.9	38	96	9WA 9WD 9WAY
							3.25	5.35	31.4	37.4	49.5	55		
8	24	—	M5	4.5×8×4.5	15	40	3.64	5.21	25.7	30.7	63.8	77	138	12WA 12WAY
							4.75	7.62	53.2	63.4	93.3	109		
9.5	42	23	M5	4.5×8×4.5	15	40	6.29	8.51	52.2	62.2	180	154	294	15WA 15WAY
							8.35	12.7	113	134	271	222		

1kN≒102kgf 1N·m≒0.102kgf·m

	maximum length mm			
	counterbore		tapped hole (N type)	
	standard	anti-corrosion	standard	anti-corrosion
	—	500	—	150
	—	1,000	—	700
500 530				
670 710	1,900	1,300	1,900	1,000
670 710 750 790 830 870				

SEBS3WA/3WAY rail mounting screw
 SEBS3WA/3WAY counterbore type rails are provided with custom screws for mounting.

SLIDE GUIDE Miniature SER Type

The NB slide guide SER type is a linear motion bearing utilizing the rotational motion of precision rollers placed in two rows. Despite its compactness, it can be used in various applications requiring high load capacity.

STRUCTURE AND ADVANTAGES

The SER type slide guide consists of a rail with two precision-machined raceway grooves and a block assembly. The block assembly consists of the main body, rollers, and bottom retainers. All of these components are made of metallic materials.

High Load Capacity and Long Life

Since roller elements are used, the contact surface is large which provides a high load capacity and a long travel life.

Compactness

Since a cross roller method is utilized, only two raceway grooves are necessary and presents a very compact package.

Moment Resistant Type

The wide block design (WA type) has an extremely high moment loading capacity. This will allow for single guide designs in the most demanding and compact applications.

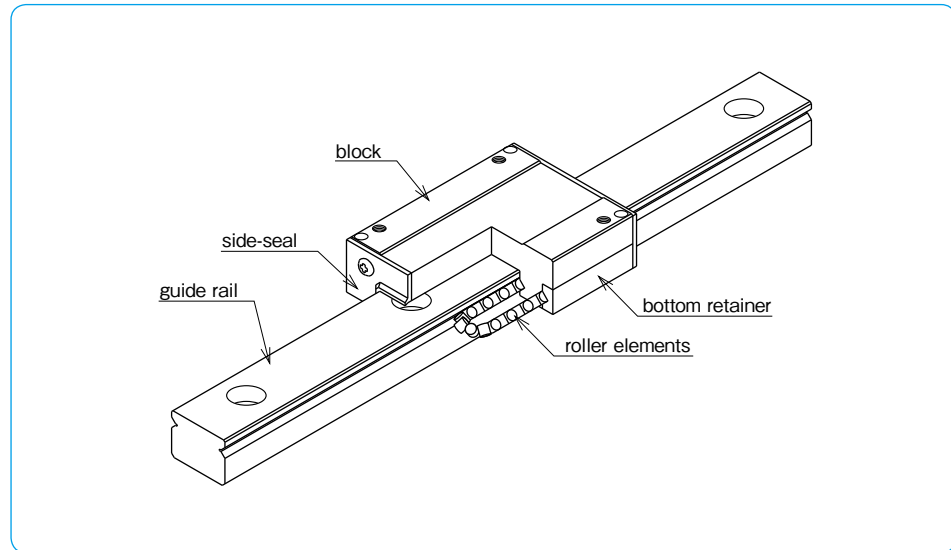
Tapped Hole Rail Type

For the SER rails, counterbore (standard) and optional tapped hole (N) types are available enabling various installation methods.

All Stainless Steel Type

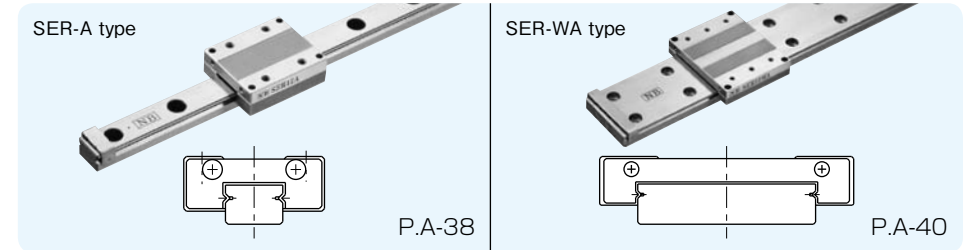
The SERS type slide guide is made of all stainless steel components, making it ideal for high temperature, clean room or vacuum applications.

Figure A-44 Structure of SER type Slide Guide



TYPES

The SER type slide guides are available with a standard block or a wide block (WA) configuration. Each type can be selected with standard rails of counterbore holes or the optional N-Type rails of tapped holes. For anti-corrosion, all stainless steel type is also available with all stainless steel components.



ACCURACY

The SER-type slide guides are available with high grade accuracy (blank) or precision grade accuracy (P).

	unit/mm	
accuracy grade	high	precision
accuracy symbol	blank	P
allowable dimensional difference in height H	±0.015	±0.008
paired difference for height H	0.015	0.007
allowable dimensional difference in width W	±0.020	±0.010
paired difference for width W	0.020	0.010
Running parallelism of surface C to surface A	refer to Figure A-45,46	
Running parallelism of surface D to surface B	refer to Figure A-45,46	

Figure A-45 Accuracy

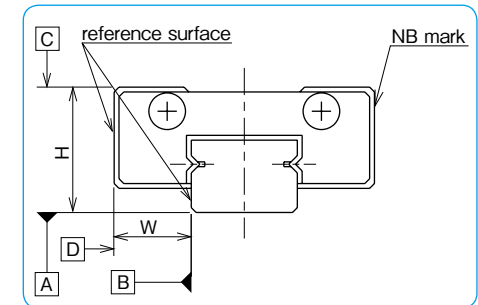
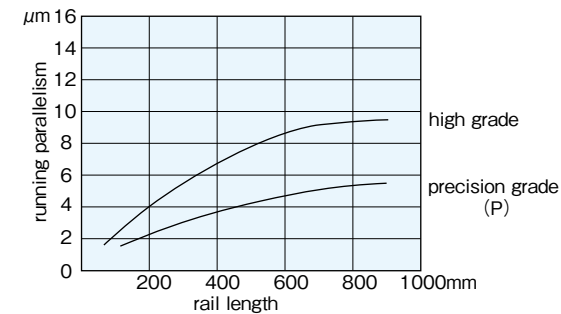


Figure A-46 Motion Accuracy



PRELOAD

The SER(S) type slide guides are available only with a standard (0 to slightly negative clearance) preload.

RAIL LENGTH

Slide guides with most commonly used lengths are available as standard. For slide guides with a non-standard length, unless otherwise specified, the distance from one end of the rail to the first hole center (N) will be within the ranges listed in Tables A-17 and A-18, satisfying the following equation.

$$L = M \cdot P + 2N$$

L: length (mm)
N: distance from the end of the rail to the first hole center (mm)
P: hole pitch (mm) M: number of pitches

Figure A-47 Rail

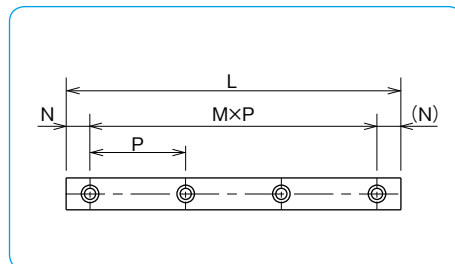


Table A-17 N Dimension (standard type) unit/mm

part number		N and over	N less than	L max.
standard	anti-corrosion			
SER 9A	SERS 9A	4	14	275
SER12A	SERS12A		16.5	470
SER15A	SERS15A		24	670
SER20A	SERS20A	6	36	880

Table A-18 N Dimension (wide type) unit/mm

part number		N and over	N less than	L max.
standard	anti-corrosion			
SER 9WA	SERS 9WA	4	19	290
SER12WA	SERS12WA	5	25	470
SER15WA	SERS15WA			670

MOUNTING

Mounting Surface Profile

Slide guides are mounted by pushing the reference surface of the rail and the block against the shoulder provided on the mounting surface. An escape groove or a radius corner should be provided at the corner of the shoulder, as shown in Figs.A-48 and A-49, to prevent interference. The recommended shoulder height and corner radius are shown in Table A-19 and Table A-20 respectively.

Figure A-48 Mounting Reference Surface Profile-1

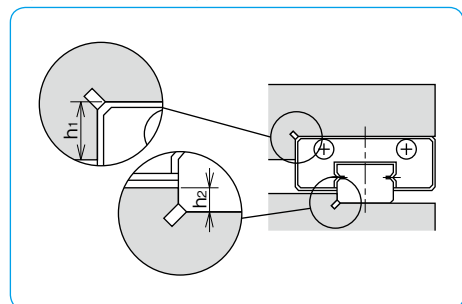
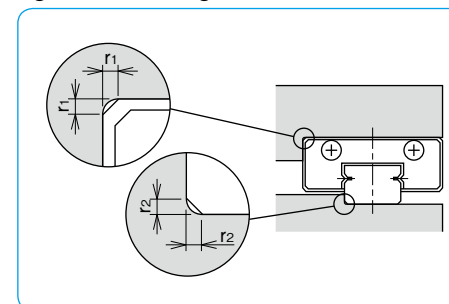


Table A-19 Shoulder Height Dimensions unit/mm

part number	shoulder height on the block side h ₁	shoulder height on the rail side h ₂
SER 9A	3	1.5
SER12A	4	2
SER15A	5	3.5
SER20A		5
SER 9WA	3	2.5
SER12WA	4	
SER15WA	5	

Figure A-49 Mounting Reference Surface Profile-2



Recommended Torque Values

The screws to fasten the rail should be tightened to an equal torque using a torque wrench in order to secure the motion accuracy. The recommended torque values are given in Table A-21. Please adjust the torque depending on the operating conditions.

Table A-20 Maximum Corner Radius Values unit/mm

part number	block mounting part r ₁	rail mounting part r ₂
SER 9A	0.3	0.1
SER12A		0.3
SER15A		
SER20A		0.5
SER 9WA		0.3
SER12WA		
SER15WA		

Table A-21 Recommended Torque unit/N·m

size	M2	M3	M4	M5	M6
recommended torque	0.3	1.0	2.3	4.7	8.0

(for stainless steel screw A2-70)

MOUNTING SCREW

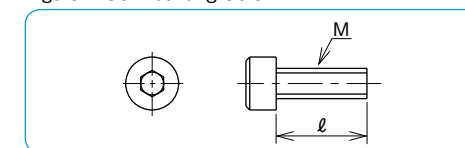
Small screws for the SER(S) type slide guide are available from NB.

Table A-22 unit/mm

size	pitch	length ℓ	application
M2	0.4	4,5,6,8,10	SER 9A

(stainless steel)

Figure A-50 Mounting Screw



LUBRICATION

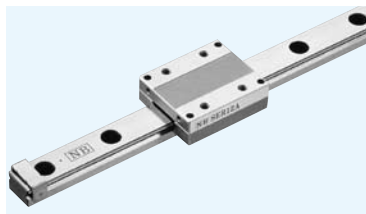
A high grade lithium soap based grease is applied to the NB slide guides prior to shipment for immediate use. Please relubricate with a similar type of grease periodically depending on the operating conditions. For use in clean rooms or vacuum environments, NB slide guides without grease are available upon request. Please contact NB for customer specified grease types.

A special syringe lubricant dispenser is available from NB as an option.

Please refer to page Eng-39 for details on the low dust generation grease.



SER-A TYPE



part number structure

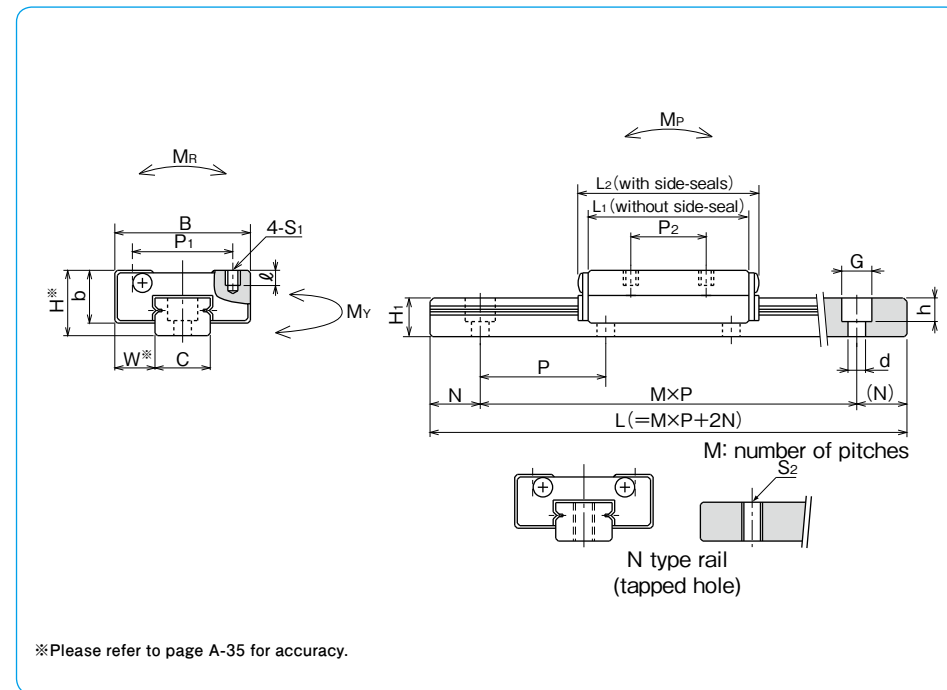
example **SERS 15A UU 2 - 589 N P / W2**

specification SER: standard SERS: anti-corrosion	size	seal blank: without side-seal UU: with side-seals	number of blocks attached to one rail	symbol for number of axes* blank: single axis W2: 2 parallel axes W3: 3 parallel axes	accuracy grade blank: high P: precision	rail mounting hole blank: counterbore N: tapped hole	total length of rail
--	------	---	---------------------------------------	---	---	--	----------------------

* The symbol for the number of axes does not mean the number of rails ordered.

part number		assembly dimensions		block dimensions							
standard	anti-corrosion	H	W	B	L ₁	L ₂	P ₁	P ₂	S ₁	ℓ	b
mm	mm	mm	mm	mm	mm	mm	mm	mm	mm	mm	mm
SER 9A	SERS 9A	10	5.7	20	28	32	15	13	M2	2.5	7.8
SER12A	SERS12A	13	8	27	32	36	20	15	M3	3	10.5
SER15A	SERS15A	16	8.5	32	40	44	25	20		4	11.5
SER20A	SERS20A	25	13	46	60	66	38	38	M4	6	17.5

part number		standard rail length							maximum length
standard	anti-corrosion	L							mm
mm	mm	mm	mm	mm	mm	mm	mm	mm	
SER 9A	SERS 9A	55	75	95	115	155	195	275	275
SER12A	SERS12A	120	170	220	270	320	370	470	470
SER15A	SERS15A	150	230	310	430	550	670		670
SER20A	SERS20A	220	280	340	460	640	880		880

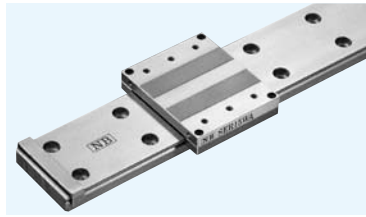


guide rail dimensions		basic load rating		allowable static moment			mass		block size				
H ₁	C	S ₂	d×G×h	N	P	dynamic C	static Co	M _P	M _Y	M _R	block g	guide rail g/100mm	block size
mm	mm	mm	mm	mm	mm	kN	kN	N·m	N·m	N·m	g	g/100mm	
5.5	8.6	M4	2.6×4.5×3	7.5	20	2.65	2.94	11.8	13.7	19.6	25	35	9A
7.5	11			10	25	3.43	3.92	15.7	17.6	29.4	51	55	12A
9.5	15	M5	3.5×6×4.5	15	40	4.70	5.78	29.0	32.3	54.9	82	100	15A
15	20	M6		20	60	8.82	9.80	59.0	66.6	151	280	230	20A

1kN≒102kgf 1N·m≒0.102kgf·m

SER-WA TYPE

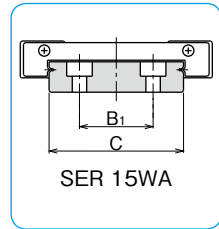
– Wide Type –



part number structure

example **SERS 15WA UU 2 -589 N P /W2**

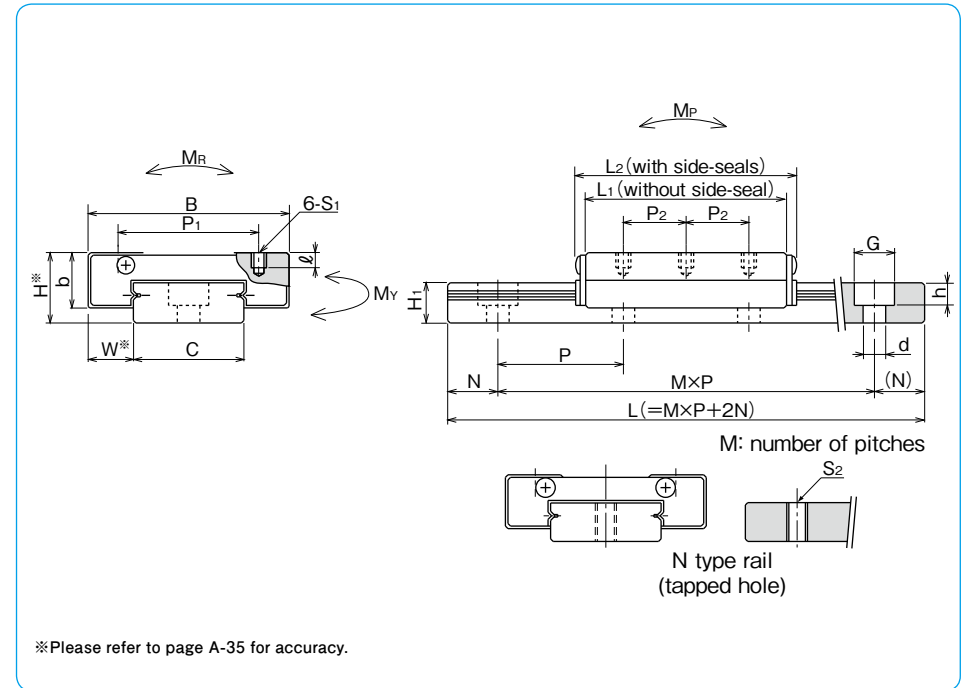
specification SER: standard SERS: anti-corrosion	size	seal blank: without side-seal UU: with side-seals	number of blocks attached to one rail	symbol for number of axes* blank: single axis W2: 2 parallel axes W3: 3 parallel axes	accuracy grade blank: high P: precision	rail mounting hole blank: counterbore N: tapped hole	total length of rail
--	------	---	---------------------------------------	--	---	--	----------------------



* The symbol for the number of axes does not mean the number of rails ordered.

part number		assembly dimensions		block dimensions							S ₁	ℓ	b
standard	anti-corrosion	H	W	B	L ₁	L ₂	P ₁	P ₂	P ₁	P ₂			
SER 9WA	SERS 9WA	12	6.5	30	35	39	21	10	M3	3	8.8		
SER 12WA	SERS 12WA	14	9	40	40	44	28	12.5					
SER 15WA	SERS 15WA	16		60	50	54	45	15				M4	4.5

part number		standard rail length L							maximum length mm
standard	anti-corrosion	mm							
SER 9WA	SERS 9WA	80	110	140	170	200	260	290	290
SER 12WA	SERS 12WA	110	150	190	230	310	390	470	470
SER 15WA	SERS 15WA	150	230	310	430	550	670		670



guide rail dimensions		basic load rating		allowable static moment			mass		block size		
H ₁	C	B ₁	S ₂	dynamic C	static Co	M _P	M _Y	M _R		block g	guide rail g/100mm
7.5	17	—	M4	3.43	3.72	24.5	27.4	51.9	46	90	9WA
8	22	—	M5	4.41	5.00	35.3	39.2	85.3	92	122	12WA
9.5	42	23									

1kN≒102kgf 1N·m≒0.102kgf·m

SLIDE GUIDE SGL TYPE GL TYPE

The NB slide guide SGL type and GL type are linear motion bearings utilizing the rotational motion of ball elements along four rows of raceway grooves. It can be used in various applications due to its compactness and high load capacity.

STRUCTURE AND ADVANTAGES

The NB slide guide SGL type consists of a rail with 4 rows of precisely machined raceway grooves and a block assembly. The block assembly consists of the main body, ball elements, retainers, and return caps. The NB slide guide GL type consists of a rail with 4 rows of precisely machined raceway grooves and a block assembly consisting of the main body, ball elements, ball cushions, retainers, a Fiber Sheet, and return caps.

High Load Capacity and Long Life

The use of relatively large ball elements and raceway grooves machined to a radius close to that of the ball elements increases the contact area resulting in a high load capacity and a long travel life.

Low Friction

Because a 4-row/2-point contact design is used, low friction and stable motion characteristics are achieved even under a preloaded conditions.

Omni-Directional Load Capacity

The ball elements are positioned at 45° contact angle so that the load capacity is equal in four directions (above, below, right and left).

Low Noise

In the GL type guide block, ball cushions are inserted between the steel balls preventing metal contact to lower the noise level. (See the noise data Figure A-58, page A-46.)

Absorption of Mounting Dimensional Error

Because the ball elements are positioned to increase

their self-aligning characteristics, the dimensional error caused during installation is absorbed.

Anti-corrosion Specification

The rail and block assembly can be treated with low temperature black chrome treatment to increase the corrosion resistance. This treatment is standardized with the symbol "LB", and suitable for use in clean room application.

Dust Prevention

Side-seals are provided as a standard. To improve the dust prevention characteristics, under-seals, double-seals, scrapers, bellows and special rail mounting caps are also available. (GL type block has under-seals as standard.)

Fiber Sheet Extends Lubricant Replenishment Intervals

A lubricant-containing Fiber Sheet incorporated in the block supplies appropriate amount of lubricant to the raceway grooves at appropriate intervals, which can significantly extend the lubricant replenishment interval. (refer to page A-18)

Figure A-51 Structure of SGL type Slide Guide

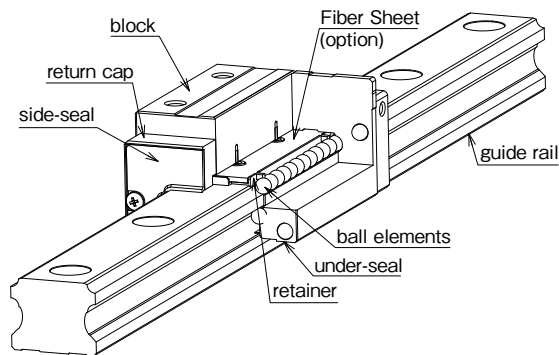
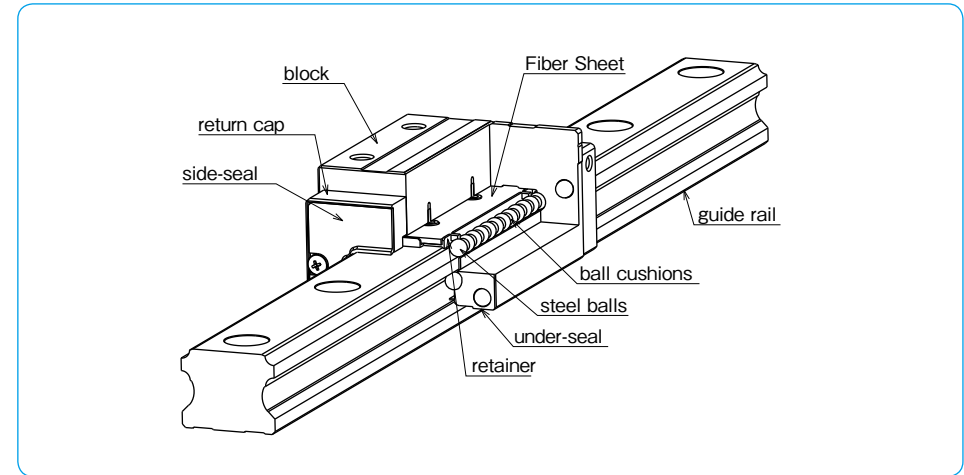


Figure A-52 Structure of GL type Slide Guide



BLOCK TYPES

Nine SGL block types are available depending on the mounting space and desired mounting method.

SGL-F type P.A-48	SGL-TF type P.A-50	SGL-E type P.A-56	SGL-TE type P.A-58
SGLS-F type P.A-48	SGLS-TF type P.A-50		SGL-HTE type P.A-60
	SGL-HTF type P.A-52		SGL-HYE type P.A-62
	SGL-HYF type P.A-54		SGL-HTEX type P.A-64

Six GL block types are available depending on the mounting space and desired mounting method.

GL-F type P.A-66	GL-TF type P.A-68	GL-E type P.A-72	GL-TE type P.A-74
	GL-HTF type P.A-70		GL-HTE type P.A-76

ACCURACY

Three accuracy grades are available: standard grade (blank), high grade (H), and precision grade (P).

Table A-23 Accuracy unit/μm

part number	SGL·GL15,20			SGL·GL25,30,35			SGL·GL45		
	standard	high	precision	standard	high	precision	standard	high	precision
accuracy grade	standard	high	precision	standard	high	precision	standard	high	precision
accuracy symbol	blank	H	P	blank	H	P	blank	H	P
allowable dimensional tolerance for height H	±0.1	±0.03	-0.03~0	±0.1	±0.04	-0.04~0	±0.1	±0.05	-0.05~0
paired difference for height H	0.02	0.01	0.006	0.02	0.015	0.007	0.03	0.015	0.007
allowable dimensional tolerance for width W	±0.1	±0.03	-0.03~0	±0.1	±0.04	-0.04~0	±0.1	±0.05	-0.05~0
paired difference for width W	0.02	0.01	0.006	0.03	0.015	0.007	0.03	0.02	0.01
Running parallelism of surface C to surface A	refer to Figure A-53, 54								
Running parallelism of surface D to surface B	refer to Figure A-53, 54								

Figure A-53 Motion Accuracy

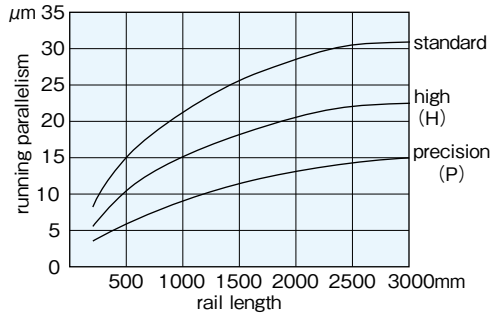
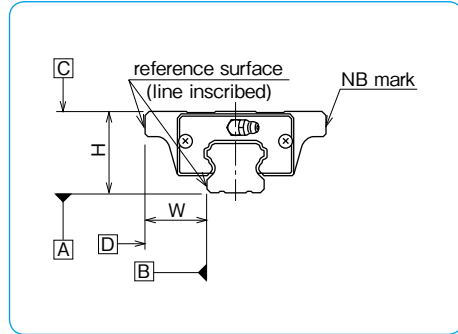


Figure A-54 Accuracy



PRELOAD

SGL type and GL type slide guides are available with a standard preload (blank), light preload (T1), and medium preload (T2).

Table A-24 Preload Symbol and Radial Clearance unit/μm

preload	standard	light	medium
preload symbol	blank	T1	T2
SGL·GL15	- 4~+2	-12~- 4	-
SGL·GL20	- 5~+2	-14~- 5	-23~-14
SGL·GL25	- 6~+3	-16~- 6	-26~-16
SGL·GL30	- 7~+4	-19~- 7	-31~-19
SGL·GL35	- 8~+4	-22~- 8	-35~-22
SGL·GL45	-10~+5	-25~-10	-40~-25

Table A-25 Operating Conditions and Preload

preload	symbol	operating conditions
standard	blank	minute vibration is applied. accurate motion is required. moment is applied in a given direction.
light	T1	light vibration is applied. light torsional load is applied. moment is applied.
medium	T2	shock and vibration are applied. over-hang load is applied. torsional load is applied.

RAIL LENGTH

Slide guides with most commonly used lengths are available as standard. For slide guides with a non-standard length, unless otherwise specified, the distance from one end of the rail to the first hole center (N) will be within the range listed in Table A-26, satisfying the following equation.

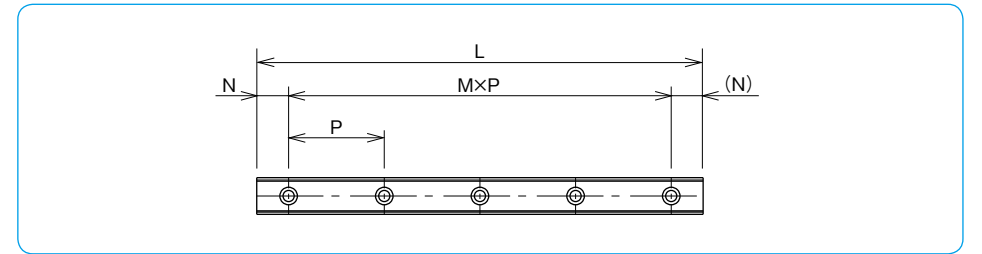
$$L = M \cdot P + 2N$$

L: length (mm) M: number of pitches P: hole pitch (mm)
N: distance from the end of the rail to the first hole center (mm)

Table A-26 N Dimension unit/mm

part number	N		L max.
	and over	less than	
SGL·GL15	6	36	2,000
SGL·GL20	10	40	3,000
SGL·GL25	11	41	
SGL·GL30	12	52	
SGL·GL35	16	56	
SGL·GL45	20	62.5	

Figure A-55 Rail



MOUNTING

Slide guides are generally mounted by pushing the reference surface of the rail and block against the shoulder of the mounting surface. An escape groove should be provided at the corner of the shoulder in order to avoid interference with the corner of the rail or block. The recommended shoulder height values are shown in Table A-28.

The screws to fasten the rail should be tightened equally using a torque wrench in order to secure the motion accuracy. The recommended torque values are listed in Table A-27. Please adjust the torque depending on the operating conditions.

Figure A-56 Mounting Reference Surface Profile

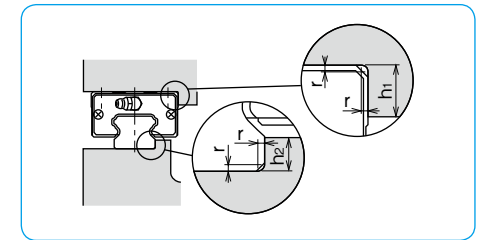


Table A-27 Recommended Torque unit/N·m

size	M3	M4	M5	M6	M8	M12
recommended torque	1.4	3.2	6.6	11.2	27.6	96.4

(for steel alloy screws)

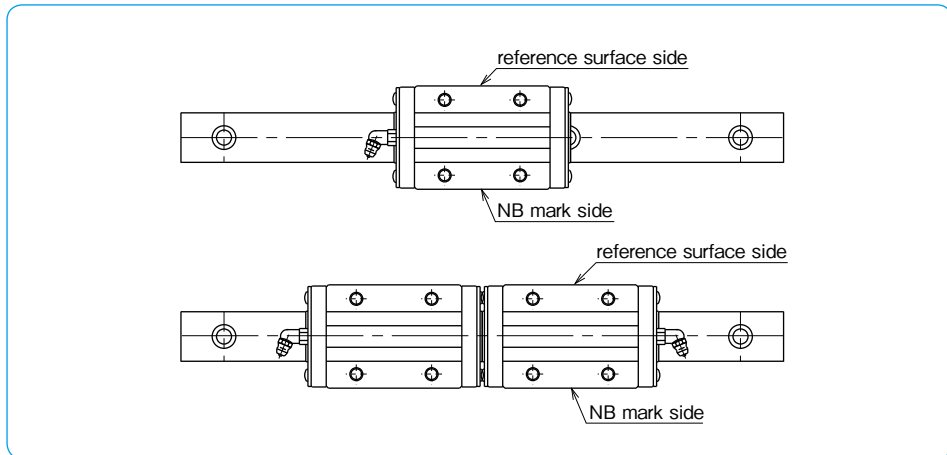
Table A-28 Shoulder Height Dimensions unit/mm

part number	h1	h2	rmax.
SGL·GL15	4	3.5	0.5
SGL·GL20	5	5	0.5
SGL·GL25	5	5.5	1
SGL·GL30	6	7.5	1
SGL·GL35	6	8	1
SGL·GL45	8	8	1

GREASE FITTING

A grease fitting is attached to the return cap of SGL type and GL type guide blocks for lubrication purposes. Unless otherwise specified, the orientation of the grease fitting is as shown in Figure A-57. When more than 2 blocks are used on one rail, please specify the grease fitting orientation.

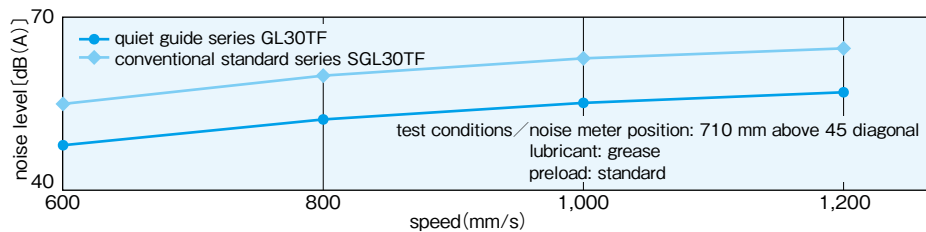
Figure A-57 Grease Fitting Orientation



LOW NOISE

Ball cushions are inserted between the steel balls preventing metal contact, enabling low noise.

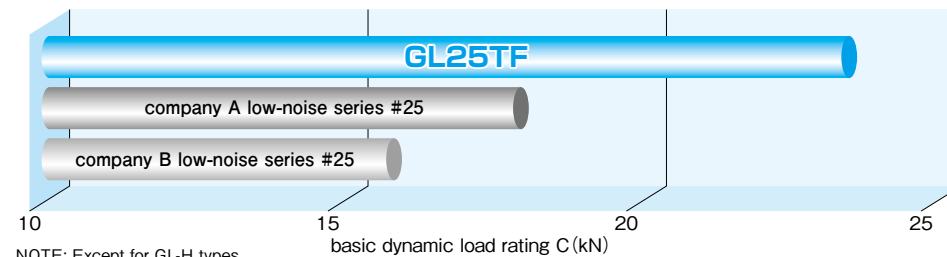
Figure A-58 Noise Data



HIGH LOAD CAPACITY AND LONG LIFE

The GL type slide guide has a load rating of 1.2 to 1.6 times greater than the load rating of other branded "low-noise" type guides. This high load capacity enables a longer travel life.

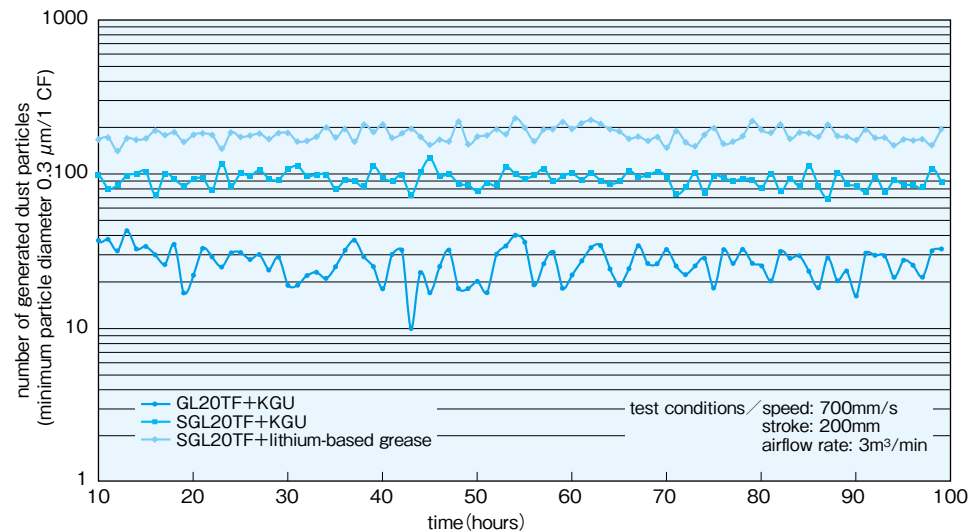
Figure A-59 Load Rating Comparison



CLEAN OPERATION

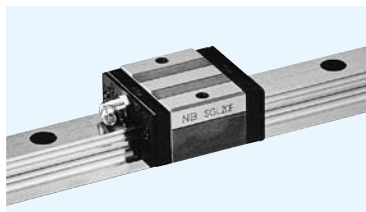
Ball cushions eliminate metal contact between the steel balls and prevent excess grease spatter, enabling linear operation with low levels of dust generation.

Figure A-60 Dust Generation Data



NOTE: Clean room level is to be specified when ordering.

SGL-F TYPE



part number structure

example **SGL 15 F B 2 T1 -589 D P/W2 FS LB F J -KGL**

specification
SGL: standard
SGLS: anti-corrosion

size
15

block style
F

seal (refer to page A-14)
blank: with side-seals
B: with side-seals + under-seals
BW: with double-seals + under-seals
BS: B + scraper

number of blocks attached to one rail
2

preload symbol
blank: standard
T1: light
T2: medium

total length of rail
589

size of rail installation hole (D type rail is available only for SGL 15)

symbol for grease
blank: standard grease
KGL: lithium-based grease
KGU: urea-based grease
KGF: anti-fretting grease
KG: K-grease
 refer to page Eng-39~

with bellows (refer to page A-16)

with rail mounting hole caps

with low temperature black chrome treatment

with Fiber Sheet
 (Fiber Sheet comes only with standard grease.)

symbol for number of axes*
blank: single axis
W2: 2 parallel axes
W3: 3 parallel axes

accuracy grade
blank: standard
H: high
P: precision

*The symbol for the number of axes does not mean the number of rails ordered.

part number		assembly dimensions		block dimensions										
standard	anti-corrosion	H	W	B	L ₁	L ₂	L ₃	L ₄	P ₁	S ₁	ℓ	T	b	E ₁
		mm	mm	mm	mm	mm	mm	mm	mm	mm	mm	mm	mm	mm
SGL15F	SGLS15F	24	9.5	34	40.7	22.7	46.9	47.3	26	M4	7	6	19.5	6
SGL15F-D	SGLS15F-D													
SGL20F	SGLS20F	28	11	42	47.9	29.5	54.1	54.5	32	M5	8	7.5	22	12
SGL25F	SGLS25F	33	12.5	48	58.7	37.7	65.1	65.9	35	M6	9	8	26	
SGL30F	—	42	16	60	68	40	76.6	75.6	40	M8	12	9	32.5	
SGL35F	—	48	18	70	77	46	85.6	84.6	50			13	38	

part number		standard rail length														
standard	anti-corrosion	L mm														
SGL15	SGLS15	160	220	280	340	400	460	520	580	640	700	760	820	880	940	1,000
SGL20	SGLS20	220	280	340	400	460	520	580	640	700	760	820	880	940	1,000	1,120
SGL25	SGLS25	220	280	340	400	460	520	580	640	700	760	820	880	940	1,000	1,120
SGL30	—	280	360	440	520	600	680	760	840	920	1,000	1,080	1,160	1,240	1,320	1,400
SGL35	—	280	360	440	520	600	680	760	840	920	1,000	1,080	1,160	1,240	1,320	1,400

Rails exceeding the maximum specified length may be fabricated if joints are used. Please contact NB for assistance.

MR, My, MP, E₁, L₁, L₂, T₁, G, d, N, P, M×P, L (=M×P+2N), W*, C±0.05, B⁰-0.1, P₁, 2-S₁, H*, b, T, ℓ, M, number of pitches

double-seals (BW)

scraper (BS)

*Please refer to page A-44 for accuracy.

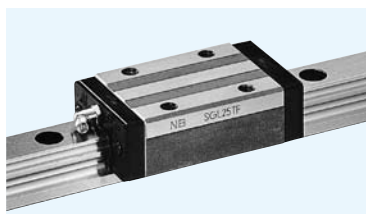
E ₂		T ₁	grease fitting	guide rail dimensions				basic load rating		allowable static moment			mass		block size	
mm	mm	mm	mm	H ₁	C	d×G×h	N	P	dynamic C	static Co	M _P	M _Y	M _R	block kg	guide rail kg/m	
mm	mm	mm	mm	mm	mm	mm	mm	mm	kN	kN	N·m	N·m	N·m	kg	kg/m	
5.4	5	pressed fitting	13.5	15	3.5×6×4.5	4.5×7.5×5.3	20	60	7.29	9.46	37	37	74	0.1	1.3	15
									11.91	14.81	72	72	159	0.2	2.1	20
11	6	B-M6F	16	20	6×9.5×8.5	7×11×9	20	80	17.0	21.2	123	123	255	0.3	3.0	25
									23.0	28.7	195	195	418	0.5	4.6	30
									32.0	37.8	294	294	693	0.8	6.2	35
	8.5		27.5	34	9×14×12				32.0	37.8	1,873	1,873	693	0.8	6.2	35

1kN≒102kgf 1N·m≒0.102kgf·m

part number		maximum length	
standard	anti-corrosion	mm	mm
1,120	1,240	1,360	1,480
1,240	1,360	1,480	1,600
1,240	1,360	1,480	1,600
1,480	1,640	1,720	1,800
1,480	1,640	1,720	1,800

When two blocks are used in close contact.

SGL-TF TYPE



part number structure

example **SGL 15 TF B 2 T1 -589 D P/W2 FS LB F J -KGL**

specification
SGL: standard
SGLS: anti-corrosion

size
15

block style
TF

seal (refer to page A-14)
blank: with side-seals
B: with side-seals + under-seals
BW: with double-seals + under-seals
BS: B + scraper

number of blocks attached to one rail
2

preload symbol
blank: standard
T1: light
T2: medium

total length of rail
589

size of rail installation hole (D type rail is available only for SGL 15)

symbol for grease
blank: standard grease
KGL: lithium-based grease
KGU: urea-based grease
KGF: anti-fretting grease
GK: K-grease
 refer to page Eng-39~

with bellows (refer to page A-16)

with rail mounting hole caps

with low temperature black chrome treatment

with Fiber Sheet
 (Fiber Sheet comes only with standard grease.)

symbol for number of axes*
blank: single axis
W2: 2 parallel axes
W3: 3 parallel axes

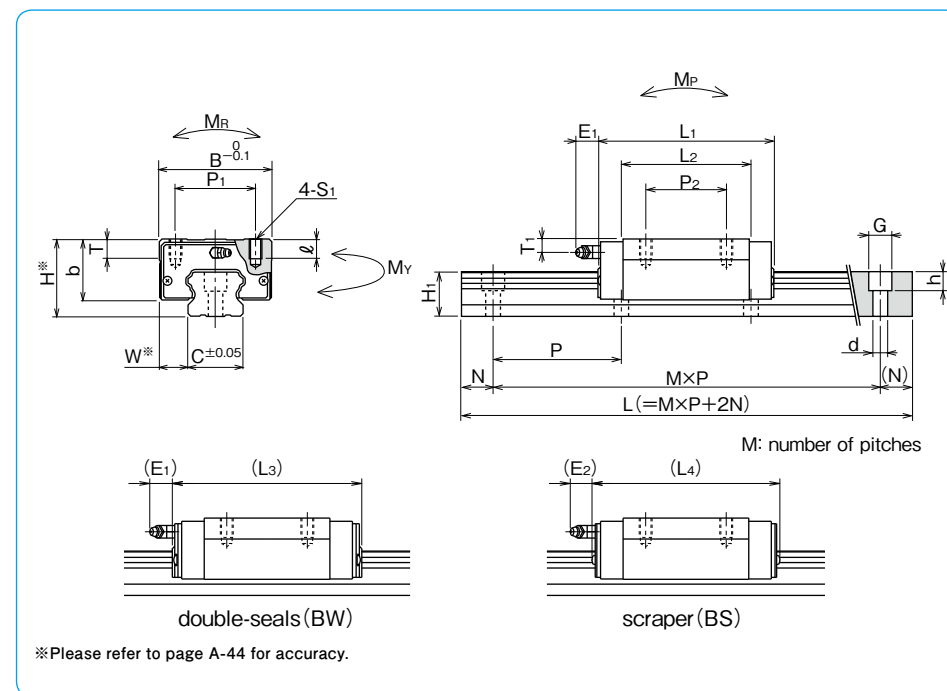
accuracy grade
blank: standard
H: high
P: precision

*The symbol for the number of axes does not mean the number of rails ordered.

part number		assembly dimensions		block dimensions											
standard	anti-corrosion	H	W	B	L ₁	L ₂	L ₃	L ₄	P ₁	P ₂	S ₁	ℓ	T	b	E ₁
		mm	mm	mm	mm	mm	mm	mm	mm	mm	mm	mm	mm	mm	mm
SGL15TF	SGLS15TF	24	9.5	34	56.5	38.5	62.7	63.1	26	26	M4	7	6	19.5	6
SGL15TF-D	SGLS15TF-D														
SGL20TF	SGLS20TF	28	11	42	65.8	47.4	72.0	72.4	32	32	M5	8	7.5	22	12
SGL25TF	SGLS25TF	33	12.5	48	80	59	86.4	87.2	35	35	M6	9	8	26	
SGL30TF	—	42	16	60	95.7	67.7	104.3	103.3	40	40	M8	12	9	32.5	
SGL35TF	—	48	18	70	109	78	117.6	116.6	50	50			13	38	

part number		standard rail length L mm														
standard	anti-corrosion															
SGL15	SGLS15	160	220	280	340	400	460	520	580	640	700	760	820	880	940	1,000
SGL20	SGLS20	220	280	340	400	460	520	580	640	700	760	820	880	940	1,000	1,120
SGL25	SGLS25	220	280	340	400	460	520	580	640	700	760	820	880	940	1,000	1,120
SGL30	—	280	360	440	520	600	680	760	840	920	1,000	1,080	1,160	1,240	1,320	1,400
SGL35	—	280	360	440	520	600	680	760	840	920	1,000	1,080	1,160	1,240	1,320	1,400

Rails exceeding the maximum specified length may be fabricated if joints are used. Please contact NB for assistance.

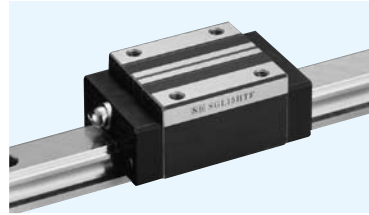


E ₂		T ₁	grease fitting	guide rail dimensions				basic load rating			allowable static moment			mass		block size		
mm	mm	mm	mm	H ₁	C	d×G×h	N	P	dynamic C	static Co	M _P	M _Y	M _R	block kg	guide rail kg/m			
mm	mm	mm	mm	mm	mm	mm	mm	mm	kN	kN	N·m	N·m	N·m	kg	kg/m			
5.4	5	pressed fitting	13.5	15	3.5×6×4.5	4.5×7.5×5.3	20	60	10.6	16.2	100	100	127	0.2	1.3	15		
									16.4	23.3	165	165	250	0.3	2.1	20		
11	6	B-M6F	16	20	6×9.5×8.5	7×11×9	20	80	24.8	36.3	335	335	437	0.4	3.0	25		
									24	28	33.6	49.2	529	529	716	0.8	4.6	30
									27.5	34	46.7	64.8	796	796	1,188	1.3	6.2	35
									9	8.5								

1kN≒102kgf 1N·m≒0.102kgf·m

				maximum length mm	
				standard	anti-corrosion
1,120	1,240	1,360	1,480	2,000	1,480
1,240	1,360	1,480	1,600	1,660	1,720
1,240	1,360	1,480	1,600	1,660	1,720
1,480	1,640	1,720	1,800	1,880	1,960
1,480	1,640	1,720	1,800	1,880	1,960

SGL-HTF TYPE



part number structure

example **SGL 15 HTF B 2 T1 -589 P/W2 FS LB F J -KGL**

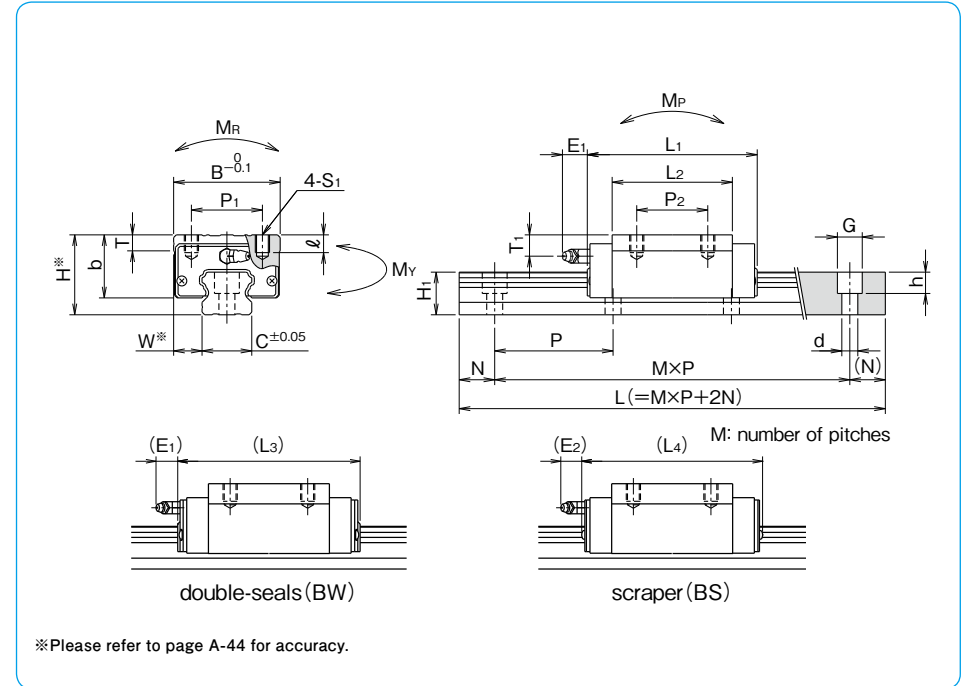
- SGL type
- size
- block style
- seal (refer to page A-14)
 - blank: with side-seals
 - B: with side-seals + under-seals
 - BW: with double-seals + under-seals
 - BS: B + scraper
- number of blocks attached to one rail
- preload symbol
 - blank: standard
 - T1: light
 - T2: medium
- total length of rail
- symbol for grease
 - blank: standard grease
 - KGL: lithium-based grease
 - KGU: urea-based grease
 - KGF: anti-fretting grease
 - GK: K-grease
 - refer to page Eng-39~
- with bellows (refer to page A-16)
- with rail mounting hole caps
- with low temperature black chrome treatment
- with Fiber Sheet (Fiber Sheet comes only with standard grease.)
- symbol for number of axes*
 - blank: single axis
 - W2: 2 parallel axes
 - W3: 3 parallel axes
- accuracy grade
 - blank: standard
 - H: high
 - P: precision

*The symbol for the number of axes does not mean the number of rails ordered.

part number	assembly dimensions		block dimensions												
	H	W	B	L ₁	L ₂	L ₃	L ₄	P ₁	P ₂	S ₁	ℓ	T	b	E ₁	E ₂
	mm	mm	mm	mm	mm	mm	mm	mm	mm	mm	mm	mm	mm	mm	mm
SGL15HTF	28	9.5	34	56.5	38.5	62.7	63.1	26	26	M4	5	6	23.7	6	5.4
SGL20HTF	30	12	44	71.6	53.2	77.8	78.2	32	36	M5	6	9.5	24		
SGL25HTF	40	12.5	48	80	59	86.4	87.2	35	35	M6	8	9	33	12	11
SGL30HTF	45	16	60	95.7	67.7	104.3	103.3	40	40	M8	10		35.5		
SGL35HTF	55	18	70	109	78	117.6	116.6	50	50		12	13	45		
SGL45HTF	70	20.5	86	139	102	147.5	148	60	60	M10	17	15	60	15	15

part number	standard rail length L mm															
SGL15	160	220	280	340	400	460	520	580	640	700	760	820	880	940	1,000	1,120
SGL20	220	280	340	400	460	520	580	640	700	760	820	880	940	1,000	1,120	1,240
SGL25	220	280	340	400	460	520	580	640	700	760	820	880	940	1,000	1,120	1,240
SGL30	280	360	440	520	600	680	760	840	920	1,000	1,080	1,160	1,240	1,320	1,400	1,480
SGL35	280	360	440	520	600	680	760	840	920	1,000	1,080	1,160	1,240	1,320	1,400	1,480
SGL45	570	675	780	885	990	1,095	1,200	1,305	1,410	1,515	1,620	1,725	1,830	1,935	2,040	2,145

Rails exceeding the maximum specified length may be fabricated if joints are used. Please contact NB for assistance.

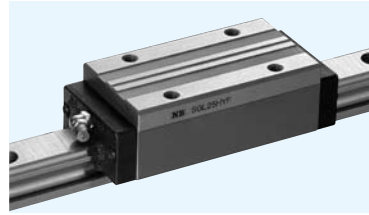


T ₁	grease fitting	guide rail dimensions					basic load rating			allowable static moment			mass		block size
		H _i	C	d × G × h	N	P	dynamic C	static C ₀	M _P	M _Y	M _R	block kg	guide rail kg/m		
mm		mm	mm	mm	mm	mm	kN	kN	N · m	N · m	N · m	kg	kg/m		
9	pressed fitting	13.5	15	4.5 × 7.5 × 5.3	20	60	10.6	16.2	100	100	127	0.2	1.3	15	
8	B-M6F	16	20	6 × 9.5 × 8.5			18.4	27.5	227	227	296	0.4	2.1	20	
13.5		20	23	7 × 11 × 9			24.8	36.3	335	335	437	0.6	3.0	25	
12		24	28	9 × 14 × 12			33.6	49.2	529	529	716	0.9	4.6	30	
15.5		27.5	34				46.7	64.8	796	796	1,188	1.5	6.2	35	
20	B-PT1/8	36.5	45	14 × 20 × 17	22.5	105	74.8	101.2	1,553	1,553	2,312	3.1	10.5	45	

1kN ≅ 102kgf 1N · m ≅ 0.102kgf · m

							maximum length mm	
1,240	1,360	1,480					2,000	
1,360	1,480	1,600	1,660	1,720	1,840	1,960	3,000	
1,360	1,480	1,600	1,660	1,720	1,840	1,960	3,000	
1,640	1,720	1,800	1,880	1,960			3,000	
1,640	1,720	1,800	1,880	1,960			3,000	
2,250	2,355	2,460	2,565	2,670	2,775	2,880	2,985	3,000

SGL-HYF TYPE



part number structure

example **SGL 15 HYF B 2 T1 -589 P/W2 FS LB F J -KGL**

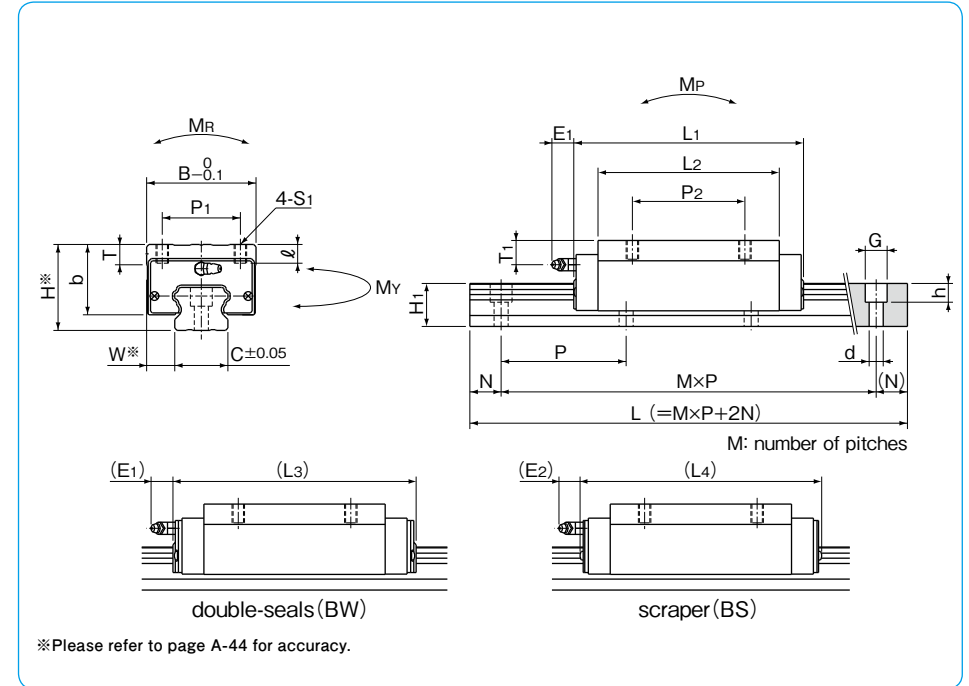
SGL type	symbol for grease
size	blank: standard grease
block style	KGL: lithium-based grease
seal (refer to page A-14)	KGU: urea-based grease
blank: with side-seals	KGF: anti-fretting grease
B: with side-seals + under-seals	GK: K-grease
BW: with double-seals + under-seals	refer to page Eng-39~
BS: B + scraper	with bellows (refer to page A-16)
number of blocks attached to one rail	with rail mounting hole caps
preload symbol	with low temperature black chrome treatment
blank: standard	with Fiber Sheet
T1: light	(Fiber Sheet comes only with standard grease.)
T2: medium	symbol for number of axes*
total length of rail	blank: single axis
	W2: 2 parallel axes
	W3: 3 parallel axes
	accuracy grade
	blank: standard
	H: high
	P: precision

*The symbol for the number of axes does not mean the number of rails ordered.

part number	assembly dimensions		block dimensions												
	H	W	B	L ₁	L ₂	L ₃	L ₄	P ₁	P ₂	S ₁	ℓ	T	b	E ₁	E ₂
	mm	mm	mm	mm	mm	mm	mm	mm	mm	mm	mm	mm	mm	mm	mm
SGL15HYF	28	9.5	34	79	61	82.5	85.6	26	26	M4	5	6	23.7	6	5.4
SGL20HYF	30	12	44	96	77.6	102.2	102.6	32	50	M5	6	9.5	24		
SGL25HYF	40	12.5	48	109	88	115.4	116.2	35	50	M6	8	9	33	12	11
SGL30HYF	45	16	60	129	101	137.6	136.6	40	60	M8	10		35.5		
SGL35HYF	55	18	70	147	116	155.6	154.6	50	72		12	13	45		
SGL45HYF	70	20.5	86	171	134	179.5	180	60	80	M10	17	15	60	15	15

part number	standard rail length L mm															
SGL15	160	220	280	340	400	460	520	580	640	700	760	820	880	940	1,000	1,120
SGL20	220	280	340	400	460	520	580	640	700	760	820	880	940	1,000	1,120	1,240
SGL25	220	280	340	400	460	520	580	640	700	760	820	880	940	1,000	1,120	1,240
SGL30	280	360	440	520	600	680	760	840	920	1,000	1,080	1,160	1,240	1,320	1,400	1,480
SGL35	280	360	440	520	600	680	760	840	920	1,000	1,080	1,160	1,240	1,320	1,400	1,480
SGL45	570	675	780	885	990	1,095	1,200	1,305	1,410	1,515	1,620	1,725	1,830	1,935	2,040	2,145

Rails exceeding the maximum specified length may be fabricated if joints are used. Please contact NB for assistance.

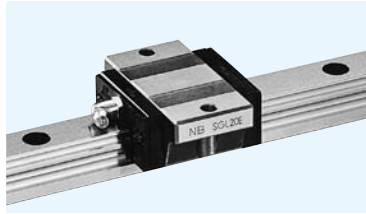


T ₁	grease fitting	guide rail dimensions				basic load rating			allowable static moment			mass		block size
		H _i	C	d×G×h	N	P	dynamic C	static C ₀	M _P	M _Y	M _R	block kg	guide rail kg/m	
mm		mm	mm	mm	mm	mm	kN	kN	N·m	N·m	N·m	kg	kg/m	
9	pressed fitting	13.5	15	4.5×7.5×5.3	20	60	14.6	25.6	238	238	200	0.3	1.3	15
8	B-M6F	16	20	6×9.5×8.5			23.9	40.2	467	467	432	0.5	2.1	20
13.5		20	23	7×11×9			32.8	54.5	723	723	655	0.9	3.0	25
12		24	28	9×14×12			44.6	73.8	1,144	1,144	1,074	1.3	4.6	30
15.5		27.5	34				61.9	97.2	1,722	1,722	1,782	2.2	6.2	35
20		B-PT1/8	36.5				45	14×20×17	22.5	105	91.4	134.9	2,681	2,681

1kN≒102kgf 1N·m≒0.102kgf·m

							maximum length	
							mm	
1,240	1,360	1,480					2,000	
1,360	1,480	1,600	1,660	1,720	1,840	1,960	3,000	
1,360	1,480	1,600	1,660	1,720	1,840	1,960	3,000	
1,640	1,720	1,800	1,880	1,960			3,000	
1,640	1,720	1,800	1,880	1,960			3,000	
2,250	2,355	2,460	2,565	2,670	2,775	2,880	2,985	3,000

SGL-E TYPE



part number structure

example **SGL15EB2T1-589DP/W2FSLBFJ-KGL**

<p>SGL type</p> <p>size</p> <p>block style</p> <p>seal (refer to page A-14) blank: with side-seals B: with side-seals + under-seals BW: with double-seals + under-seals BS: B + scraper</p> <p>number of blocks attached to one rail</p> <p>preload symbol blank: standard T1: light T2: medium</p> <p>total length of rail</p> <p>size of rail installation hole (D type rail is available only for SGL 15)</p>	<p>symbol for grease blank: standard grease KGL: lithium-based grease KGU: urea-based grease KGF: anti-fretting grease GK: K-grease refer to page Eng-39~</p> <p>with bellows (refer to page A-16)</p> <p>with rail mounting hole caps</p> <p>with low temperature black chrome treatment</p> <p>with Fiber Sheet (Fiber Sheet comes only with standard grease.)</p> <p>symbol for number of axes* blank: single axis W2: 2 parallel axes W3: 3 parallel axes</p> <p>accuracy grade blank: standard H: high P: precision</p>
--	--

*The symbol for the number of axes does not mean the number of rails ordered.

part number	assembly dimensions		block dimensions										
	H	W	B	L ₁	L ₂	L ₃	L ₄	P ₁	S ₁	T	b	E ₁	E ₂
	mm	mm	mm	mm	mm	mm	mm	mm	mm	mm	mm	mm	mm
SGL15E SGL15E-D	24	18.5	52	40.7	22.7	46.9	47.3	41	4.5	7	19.5	6	5.4
SGL20E	28	19.5	59	47.9	29.5	54.1	54.5	49	5.5	9	22	12	11
SGL25E	33	25	73	58.7	37.7	65.1	65.9	60	7	10	26		
SGL30E	42	31	90	68	40	76.6	75.6	72	9	13	32.5		
SGL35E	48	33	100	77	46	85.6	84.6	82				38	

part number	standard rail length L mm															
SGL15	160	220	280	340	400	460	520	580	640	700	760	820	880	940	1,000	1,120
SGL20	220	280	340	400	460	520	580	640	700	760	820	880	940	1,000	1,120	1,240
SGL25	220	280	340	400	460	520	580	640	700	760	820	880	940	1,000	1,120	1,240
SGL30	280	360	440	520	600	680	760	840	920	1,000	1,080	1,160	1,240	1,320	1,400	1,480
SGL35	280	360	440	520	600	680	760	840	920	1,000	1,080	1,160	1,240	1,320	1,400	1,480

Rails exceeding the maximum specified length may be fabricated if joints are used. Please contact NB for assistance.

double-seals (BW)

scraper (BS)

M: number of pitches

*Please refer to page A-44 for accuracy.

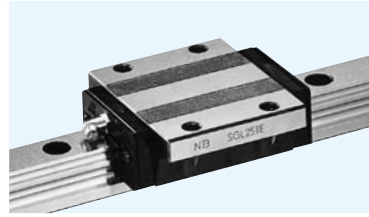
T ₁	grease fitting	guide rail dimensions				N	P	basic load rating			allowable static moment			mass		block size
		H ₁	C	d × G × h				dynamic C	static C ₀	M _P	M _Y	M _R	block	guide rail		
mm		mm	mm	mm		mm	mm	kN	kN	N · m	N · m	N · m	kg	kg/m		
5	pressed fitting	13.5	15	3.5 × 6 × 4.5		20	60	7.29	9.46	37	37	74	0.1	1.3	15	
6	B-M6F	16	20	4.5 × 7.5 × 5.3				11.91	14.81	72	72	159	159	0.2	2.1	20
6.5		20	23	7 × 11 × 9		17.0	21.2	123	123	255	255	0.4	3.0	25		
9		24	28			23.0	28.7	195	195	418	418	0.6	4.6	30		
8.5		27.5	34	9 × 14 × 12		32.0	37.8	294	294	693	693	0.9	6.2	35		

1kN ≒ 102kgf 1N · m ≒ 0.102kgf · m

	maximum length mm
1,240 1,360 1,480	2,000
1,360 1,480 1,600 1,660 1,720 1,840 1,960	3,000
1,360 1,480 1,600 1,660 1,720 1,840 1,960	3,000
1,640 1,720 1,800 1,880 1,960	3,000
1,640 1,720 1,800 1,880 1,960	3,000

When two blocks are used in close contact.

SGL-TE TYPE



part number structure

example **SGL 15 TE B 2 T1 -589 D P/W2 FS LB F J -KGL**

SGL type
size
block style
seal (refer to page A-14)
blank: with side-seals
B: with side-seals + under-seals
BW: with double-seals + under-seals
BS: B + scraper
number of blocks attached to one rail
preload symbol
blank: standard
T1: light
T2: medium
total length of rail
size of rail installation hole (D type rail is available only for SGL 15)

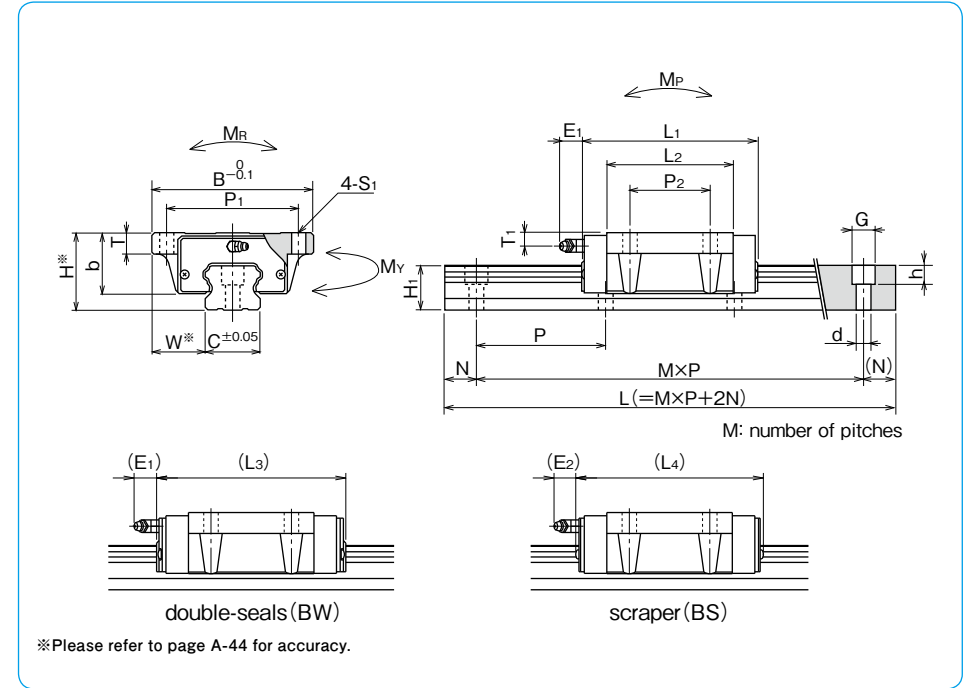
symbol for grease
blank: standard grease
KGL: lithium-based grease
KGU: urea-based grease
KGF: anti-fretting grease
KK: K-grease
refer to page Eng-39~
with bellows (refer to page A-16)
with rail mounting hole caps
with low temperature black chrome treatment
with Fiber Sheet
(Fiber Sheet comes only with standard grease.)
symbol for number of axes*
blank: single axis
W2: 2 parallel axes
W3: 3 parallel axes
accuracy grade
blank: standard
H: high
P: precision

*The symbol for the number of axes does not mean the number of rails ordered.

part number	assembly dimensions		block dimensions											
	H	W	B	L ₁	L ₂	L ₃	L ₄	P ₁	P ₂	S ₁	T	b	E ₁	E ₂
	mm	mm	mm	mm	mm	mm	mm	mm	mm	mm	mm	mm	mm	mm
SGL15TE SGL15TE-D	24	18.5	52	56.5	38.5	62.7	63.1	41	26	4.5	7	19.5	6	5.4
SGL20TE	28	19.5	59	65.8	47.4	72.0	72.4	49	32	5.5	9	22		
SGL25TE	33	25	73	80	59	86.4	87.2	60	35	7	10	26	12	11
SGL30TE	42	31	90	95.7	67.7	104.3	103.3	72	40	9		32.5		
SGL35TE	48	33	100	109	78	117.6	116.6	82	50	9	13	38		

part number	standard rail length L mm															
SGL 15	160	220	280	340	400	460	520	580	640	700	760	820	880	940	1,000	1,120
SGL20	220	280	340	400	460	520	580	640	700	760	820	880	940	1,000	1,120	1,240
SGL25	220	280	340	400	460	520	580	640	700	760	820	880	940	1,000	1,120	1,240
SGL30	280	360	440	520	600	680	760	840	920	1,000	1,080	1,160	1,240	1,320	1,400	1,480
SGL35	280	360	440	520	600	680	760	840	920	1,000	1,080	1,160	1,240	1,320	1,400	1,480

Rails exceeding the maximum specified length may be fabricated if joints are used. Please contact NB for assistance.

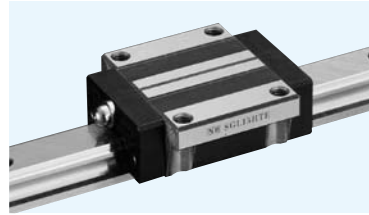


T ₁	grease fitting	guide rail dimensions				basic load rating			allowable static moment			mass		block size	
		H _i	C	d×G×h		N	P	dynamic C	static C ₀	M _P	M _Y	M _R	block kg		guide rail kg/m
mm		mm	mm	mm		mm	mm	kN	kN	N·m	N·m	N·m			
5	pressed fitting	13.5	15	3.5×6×4.5		20	60	10.6	16.2	100	100	127	0.2	1.3	15
6		16	20	4.5×7.5×5.3				16.4	23.3	165	165	250	250	0.3	2.1
6.5	B-M6F	20	23	7×11×9		80	80	24.8	36.3	335	335	437	0.6	3.0	25
9		24	28					33.6	49.2	529	529	716	1.0	4.6	30
8.5		27.5	34					46.7	64.8	796	796	1,188	1.5	6.2	35

1kN≒102kgf 1N·m≒0.102kgf·m

	maximum length mm
1,240 1,360 1,480	2,000
1,360 1,480 1,600 1,660 1,720 1,840 1,960	3,000
1,360 1,480 1,600 1,660 1,720 1,840 1,960	3,000
1,640 1,720 1,800 1,880 1,960	3,000
1,640 1,720 1,800 1,880 1,960	3,000

SGL-HTE TYPE



part number structure

example **SGL 15 HTE B 2 T1 -589 P/W2 FS LB F J -KGL**

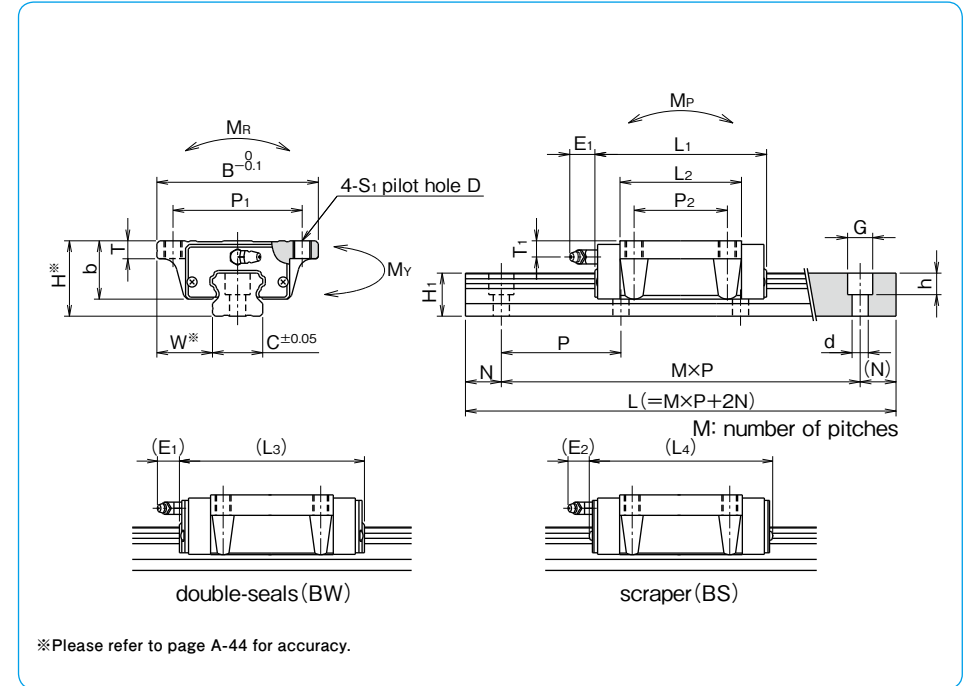
<p>example</p> <p>SGL type</p> <p>size</p> <p>block style</p> <p>seal (refer to page A-14)</p> <p>blank: with side-seals</p> <p>B: with side-seals + under-seals</p> <p>BW: with double-seals + under-seals</p> <p>BS: B + scraper</p> <p>number of blocks attached to one rail</p> <p>preload symbol</p> <p>blank: standard</p> <p>T1: light</p> <p>T2: medium</p> <p>total length of rail</p>	<p>symbol for grease</p> <p>blank: standard grease</p> <p>KGL: lithium-based grease</p> <p>KGU: urea-based grease</p> <p>KGF: anti-fretting grease</p> <p>KK: K-grease</p> <p>refer to page Eng-39~</p> <p>with bellows (refer to page A-16)</p> <p>with rail mounting hole caps</p> <p>with low temperature black chrome treatment</p> <p>with Fiber Sheet</p> <p>(Fiber Sheet comes only with standard grease.)</p> <p>symbol for number of axes*</p> <p>blank: single axis</p> <p>W2: 2 parallel axes</p> <p>W3: 3 parallel axes</p> <p>accuracy grade</p> <p>blank: standard</p> <p>H: high</p> <p>P: precision</p>
---	---

*The symbol for the number of axes does not mean the number of rails ordered.

part number	assembly dimensions		block dimensions												
	H	W	B	L ₁	L ₂	L ₃	L ₄	P ₁	P ₂	S ₁	D	T	b	E ₁	E ₂
	mm	mm	mm	mm	mm	mm	mm	mm	mm	mm	mm	mm	mm	mm	mm
SGL15HTE	24	16	47	56.5	38.5	62.7	63.1	38	30	M5	4.4	7.5	19.7	6	5.4
SGL20HTE	30	21.5	63	71.6	53.2	77.8	78.2	53	40	M6	5.4	10.5	24	12	11
SGL25HTE	36	23.5	70	80	59	86.4	87.2	57	45	M8	6.8	12.5	29		
SGL30HTE	42	31	90	95.7	67.7	104.3	103.3	72	52	M10	8.5	10	32.5		
SGL35HTE	48	33	100	109	78	117.6	116.6	82	62			13	38		
SGL45HTE	60	37.5	120	139	102	147.5	148	100	80	M12	10.5	15	50	15	15

part number	standard rail length L mm															
SGL15	160	220	280	340	400	460	520	580	640	700	760	820	880	940	1,000	1,120
SGL20	220	280	340	400	460	520	580	640	700	760	820	880	940	1,000	1,120	1,240
SGL25	220	280	340	400	460	520	580	640	700	760	820	880	940	1,000	1,120	1,240
SGL30	280	360	440	520	600	680	760	840	920	1,000	1,080	1,160	1,240	1,320	1,400	1,480
SGL35	280	360	440	520	600	680	760	840	920	1,000	1,080	1,160	1,240	1,320	1,400	1,480
SGL45	570	675	780	885	990	1,095	1,200	1,305	1,410	1,515	1,620	1,725	1,830	1,935	2,040	2,145

Rails exceeding the maximum specified length may be fabricated if joints are used. Please contact NB for assistance.

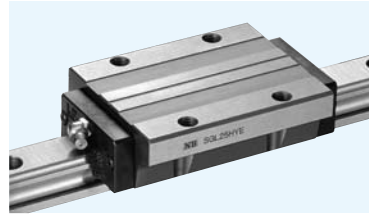


T ₁	grease fitting	guide rail dimensions				basic load rating			allowable static moment			mass		block size
		H _i	C	d×G×h	N	P	dynamic C	static C ₀	M _P	M _Y	M _R	block kg	guide rail kg/m	
mm		mm	mm	mm	mm	mm	kN	kN	N·m	N·m	N·m	kg	kg/m	
5	pressed fitting	13.5	15	4.5×7.5×5.3	20	60	10.6	16.2	100	100	127	0.2	1.3	15
8	B-M6F	16	20	6×9.5×8.5			18.4	27.5	227	227	296	0.4	2.1	20
9.5		20	23	7×11×9	24.8	36.3	335	335	437	0.6	3.0	25		
9		24	28	9×14×12	33.6	49.2	529	529	716	1.0	4.6	30		
8.5	27.5	34	46.7		64.8	796	796	1,188	1.5	6.2	35			
10	B-PT1/8	36.5	45	14×20×17	22.5	105	74.8	101.2	1,553	1,553	2,312	3.1	10.5	45

1kN≒102kgf 1N·m≒0.102kgf·m

	maximum length mm
1,240 1,360 1,480	2,000
1,360 1,480 1,600 1,660 1,720 1,840 1,960	3,000
1,360 1,480 1,600 1,660 1,720 1,840 1,960	3,000
1,640 1,720 1,800 1,880 1,960	3,000
1,640 1,720 1,800 1,880 1,960	3,000
2,250 2,355 2,460 2,565 2,670 2,775 2,880 2,985	3,000

SGL-HYE TYPE



part number structure

example **SGL 15 HYE B 2 T1 -589 P/W2 FS LB F J -KGL**

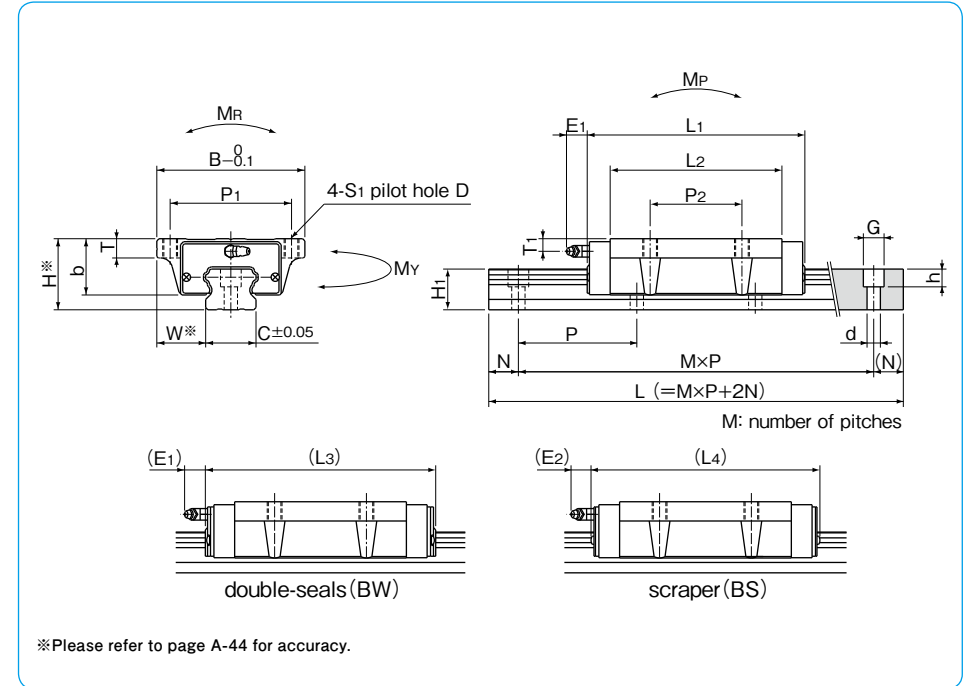
<p>example</p> <p>SGL type</p> <p>size</p> <p>block style</p> <p>seal (refer to page A-14)</p> <p>blank: with side-seals</p> <p>B: with side-seals + under-seals</p> <p>BW: with double-seals + under-seals</p> <p>BS: B + scraper</p> <p>number of blocks attached to one rail</p> <p>preload symbol</p> <p>blank: standard</p> <p>T1: light</p> <p>T2: medium</p> <p>total length of rail</p>	<p>symbol for grease</p> <p>blank: standard grease</p> <p>KGL: lithium-based grease</p> <p>KGU: urea-based grease</p> <p>KGF: anti-fretting grease</p> <p>GK: K-grease</p> <p>refer to page Eng-39~</p> <p>with bellows (refer to page A-16)</p> <p>with rail mounting hole caps</p> <p>with low temperature black chrome treatment</p> <p>with Fiber Sheet</p> <p>(Fiber Sheet comes only with standard grease.)</p> <p>symbol for number of axes*</p> <p>blank: single axis</p> <p>W2: 2 parallel axes</p> <p>W3: 3 parallel axes</p> <p>accuracy grade</p> <p>blank: standard</p> <p>H: high</p> <p>P: precision</p>
---	---

*The symbol for the number of axes does not mean the number of rails ordered.

part number	assembly dimensions		block dimensions												
	H	W	B	L ₁	L ₂	L ₃	L ₄	P ₁	P ₂	S ₁	D	T	b	E ₁	E ₂
	mm	mm	mm	mm	mm	mm	mm	mm	mm	mm	mm	mm	mm	mm	mm
SGL15HYE	24	16	47	79	61	85.2	85.6	38	30	M5	4.4	7.5	19.7	6	5.4
SGL20HYE	30	21.5	63	96	77.6	102.2	102.6	53	40	M6	5.4	10.5	24	12	11
SGL25HYE	36	23.5	70	109	88	115.4	116.2	57	45	M8	6.8	12.5	29		
SGL30HYE	42	31	90	129	101	137.6	136.6	72	52	M10	8.5	10	32.5		
SGL35HYE	48	33	100	147	116	155.6	154.6	82	62			13	38		
SGL45HYE	60	37.5	120	171	134	179.5	180	100	80	M12	10.5	15	50	15	15

part number	standard rail length L mm															
SGL15	160	220	280	340	400	460	520	580	640	700	760	820	880	940	1,000	1,120
SGL20	220	280	340	400	460	520	580	640	700	760	820	880	940	1,000	1,120	1,240
SGL25	220	280	340	400	460	520	580	640	700	760	820	880	940	1,000	1,120	1,240
SGL30	280	360	440	520	600	680	760	840	920	1,000	1,080	1,160	1,240	1,320	1,400	1,480
SGL35	280	360	440	520	600	680	760	840	920	1,000	1,080	1,160	1,240	1,320	1,400	1,480
SGL45	570	675	780	885	990	1,095	1,200	1,305	1,410	1,515	1,620	1,725	1,830	1,935	2,040	2,145

Rails exceeding the maximum specified length may be fabricated if joints are used. Please contact NB for assistance.



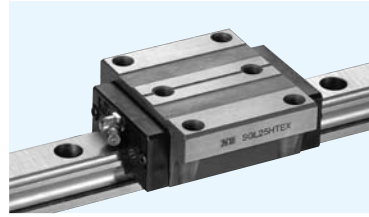
*Please refer to page A-44 for accuracy.

T ₁	grease fitting	guide rail dimensions				basic load rating			allowable static moment			mass		block size
		H _i	C	d×G×h	N	P	dynamic C	static C ₀	M _P	M _Y	M _R	block kg	guide rail kg/m	
mm		mm	mm	mm	mm	mm	kN	kN	N·m	N·m	N·m	kg	kg/m	
5	pressed fitting	13.5	15	4.5×7.5×5.3	20	60	14.6	25.6	238	238	200	0.3	1.3	15
8	B-M6F	16	20	6×9.5×8.5			23.9	40.2	467	467	432	0.7	2.1	20
9.5		20	23	7×11×9			32.8	54.5	723	723	655	1.0	3.0	25
9		24	28	9×14×12			44.6	73.8	1,144	1,144	1,074	1.5	4.6	30
8.5		27.5	34				61.9	97.2	1,722	1,722	1,782	2.2	6.2	35
10	B-PT1/8	36.5	45	14×20×17	22.5	105	91.4	134.9	2,681	2,681	3,082	4.0	10.5	45

1kN≒102kgf 1N·m≒0.102kgf·m

							maximum length mm	
1,240	1,360	1,480					2,000	
1,360	1,480	1,600	1,660	1,720	1,840	1,960	3,000	
1,360	1,480	1,600	1,660	1,720	1,840	1,960	3,000	
1,640	1,720	1,800	1,880	1,960			3,000	
1,640	1,720	1,800	1,880	1,960			3,000	
2,250	2,355	2,460	2,565	2,670	2,775	2,880	2,985	3,000

SGL-HTEX TYPE



part number structure

example **SGL 15 HTEX B 2 T1 -589 P/W2 FS LB F J -KGL**

SGL type: symbol for grease
 blank: standard grease
 KGL: lithium-based grease
 KGU: urea-based grease
 KGF: anti-fretting grease
 GK: K-grease refer to page Eng-39~

size: with bellows (refer to page A-16)
 with rail mounting hole caps
 with low temperature black chrome treatment
 with Fiber Sheet (Fiber Sheet comes only with standard grease.)

block style: symbol for number of axes*
 blank: single axis
 W2: 2 parallel axes
 W3: 3 parallel axes

seal (refer to page A-14)
 blank: with side-seals
 B: with side-seals + under-seals
 BW: with double-seals + under-seals
 BS: B + scraper

number of blocks attached to one rail: accuracy grade
 blank: standard
 H: high
 P: precision

preload symbol: blank: standard
 T1: light
 T2: medium

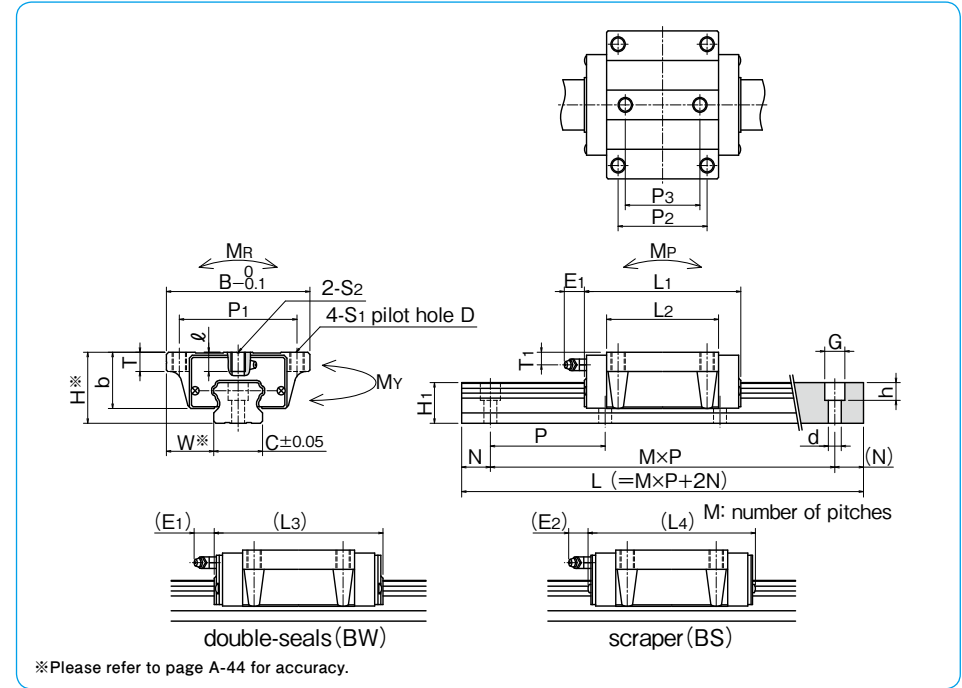
total length of rail

*The symbol for the number of axes does not mean the number of rails ordered.

part number	assembly dimensions		block dimensions													
	H	W	B	L ₁	L ₂	L ₃	L ₄	P ₁	P ₂	S ₁	D	T	P ₃	S ₂	ℓ	b
	mm	mm	mm	mm	mm	mm	mm	mm	mm	mm	mm	mm	mm	mm	mm	mm
SGL15HTEX	24	16	47	56.5	38.5	62.7	63.1	38	30	M5	4.4	7.5	26	M5	6	19.7
SGL20HTEX	30	21.5	63	71.6	53.2	77.8	78.2	53	40	M6	5.4	10.5	35	M6	8	24
SGL25HTEX	36	23.5	70	80	59	86.4	87.2	57	45	M8	6.8	12.5	40	M8	10	29
SGL30HTEX	42	31	90	95.7	67.7	104.3	103.3	72	52	M10	8.5	10	44	M10	10	32.5
SGL35HTEX	48	33	100	109	78	117.6	116.6	82	62			13	52		13	38
SGL45HTEX	60	37.5	120	139	102	147.5	148	100	80	M12	10.5	15	60	M12	14	50

part number	standard rail length L mm															
SGL15	160	220	280	340	400	460	520	580	640	700	760	820	880	940	1,000	1,120
SGL20	220	280	340	400	460	520	580	640	700	760	820	880	940	1,000	1,120	1,240
SGL25	220	280	340	400	460	520	580	640	700	760	820	880	940	1,000	1,120	1,240
SGL30	280	360	440	520	600	680	760	840	920	1,000	1,080	1,160	1,240	1,320	1,400	1,480
SGL35	280	360	440	520	600	680	760	840	920	1,000	1,080	1,160	1,240	1,320	1,400	1,480
SGL45	570	675	780	885	990	1,095	1,200	1,305	1,410	1,515	1,620	1,725	1,830	1,935	2,040	2,145

Rails exceeding the maximum specified length may be fabricated if joints are used. Please contact NB for assistance.

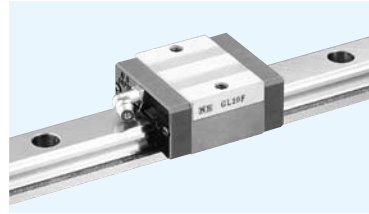


E ₁	E ₂	T ₁	grease fitting	guide rail dimensions				N	P	basic load rating			allowable static moment			mass block kg	mass guide rail kg/m	block size
				H ₁	C	d×G×h				dynamic C kN	static Co kN	M _P N·m	M _Y N·m	M _R N·m				
mm	mm	mm		mm	mm	mm		mm	mm									
6	5.4	5	pressed fitting	13.5	15	4.5×7.5×5.3		20	60	10.6	16.2	100	100	127	0.2	1.3	15	
12	11	8	B-M6F	16	20	6×9.5×8.5				18.4	27.5	227	227	296	0.4	2.1	20	
		9.5		20	23	7×11×9				24.8	36.3	335	335	437	0.6	3.0	25	
9	24	28		9×14×12		33.6	49.2	529	529	716	1.0	4.6	30					
8.5	27.5	34		46.7	64.8	796	796	1,188	1.5	6.2	35							
15	15	10	B-PT1/8	36.5	45	14×20×17		22.5	105	74.8	101.2	1,553	1,553	2,312	3.1	10.5	45	

1kN≒102kgf 1N·m≒0.102kgf·m

				maximum length mm				
1,240	1,360	1,480		2,000				
1,360	1,480	1,600	1,660	1,720	1,840	1,960	3,000	
1,360	1,480	1,600	1,660	1,720	1,840	1,960	3,000	
1,640	1,720	1,800	1,880	1,960	3,000			
1,640	1,720	1,800	1,880	1,960	3,000			
2,250	2,355	2,460	2,565	2,670	2,775	2,880	2,985	3,000

GL-F TYPE



part number structure

example **GL15FB2T1-589DP/W2LB FJ-KGL**

GL type	symbol for grease
size	blank: standard grease
block style	KGL: lithium-based grease
seal (refer to page A-14)	KGU: urea-based grease
B (standard): with side-seals + under-seals	KGF: anti-fretting grease
BW: with double-seals + under-seals	GK: K-grease
BS: B + scraper	refer to page Eng-39~
number of blocks attached to one rail	Fiber Sheet comes only with standard grease.
preload symbol	with bellows (refer to page A-16)
blank: standard	with rail mounting hole caps
T1: light	with low temperature black chrome treatment
T2: medium	symbol for number of axes*
total length of rail	blank: single axis
size of rail installation hole (D type rail is available only for GL 15)	W2: 2 parallel axes
	W3: 3 parallel axes
	accuracy grade
	blank: standard
	H: high
	P: precision

*The symbol for the number of axes does not mean the number of rails ordered.

part number	assembly dimensions		block dimensions											
	H	W	B	L ₁	L ₂	L ₃	L ₄	P ₁	S ₁	ℓ	T	b	E ₁	E ₂
GL15F GL15F-D	24	9.5	34	40.7	22.7	46.9	47.3	26	M4	7	6	19.5	6	5.4
GL20F	28	11	42	47.9	29.5	54.1	54.5	32	M5	8	7.5	22	12	11
GL25F	33	12.5	48	58.7	37.7	65.1	65.9	35	M6	9	8	26		
GL30F	42	16	60	68	40	76.6	75.6	40	M8	12	9	32.5		
GL35F	48	18	70	77	46	85.6	84.6	50			13	38		

part number	standard rail length L mm															
GL15	160	220	280	340	400	460	520	580	640	700	760	820	880	940	1,000	1,120
GL20	220	280	340	400	460	520	580	640	700	760	820	880	940	1,000	1,120	1,240
GL25	220	280	340	400	460	520	580	640	700	760	820	880	940	1,000	1,120	1,240
GL30	280	360	440	520	600	680	760	840	920	1,000	1,080	1,160	1,240	1,320	1,400	1,480
GL35	280	360	440	520	600	680	760	840	920	1,000	1,080	1,160	1,240	1,320	1,400	1,480

Technical diagrams showing dimensions and load conditions for the GL-F type slide block. The top diagram shows a side view with dimensions: M_R , $B_{-0.1}$, P_1 , $2 \cdot S_1$, H^* , b , W^* , $C_{\pm 0.05}$, T , M_Y , E_1 , L_1 , L_2 , F , G , d , N , P , $M \times P$, $L (=M \times P + 2N)$. Below are two views: 'double-seals (BW)' with dimensions (E_1) , (L_3) and 'scraper (BS)' with dimensions (E_2) , (L_4) . A note states: M: number of pitches. A reference note says: *Please refer to page A-44 for accuracy.

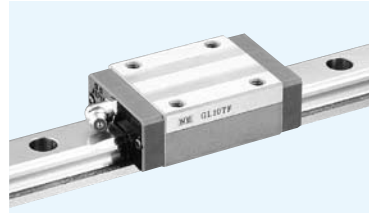
T ₁	grease fitting	guide rail dimensions				basic load rating		allowable static moment			mass		block size	
		H _i	C	d × G × h	N	P	dynamic C	static C ₀	M _P	M _Y	M _R	block kg		guide rail kg/m
5	pressed fitting	13.5	15	3.5 × 6 × 4.5 4.5 × 7.5 × 5.3	20	60	7.29	9.46	37 252	37 252	74	0.1	1.3	15
6	B-M6F	16	20	6 × 9.5 × 8.5			11.91	14.81	72 447	72 447	159	0.2	2.1	20
6.5		20	23	7 × 11 × 9			17.0	21.2	123 751	123 751	255	0.3	3.0	25
9		24	28				23.0	28.7	195 1,263	195 1,263	418	0.5	4.6	30
8.5		27.5	34	9 × 14 × 12			32.0	37.8	294 1,873	294 1,873	693	0.8	6.2	35

1kN=102kgf 1N·m=0.102kgf·m

	maximum length mm
1,240 1,360 1,480	2,000
1,360 1,480 1,600 1,660 1,720 1,840 1,960	3,000
1,360 1,480 1,600 1,660 1,720 1,840 1,960	3,000
1,640 1,720 1,800 1,880 1,960	3,000
1,640 1,720 1,800 1,880 1,960	3,000

When two blocks are used in close contact.

GL-TF TYPE



part number structure

example **GL 15 TF B 2 T1 -589 D P/W2 LB F J -KGL**

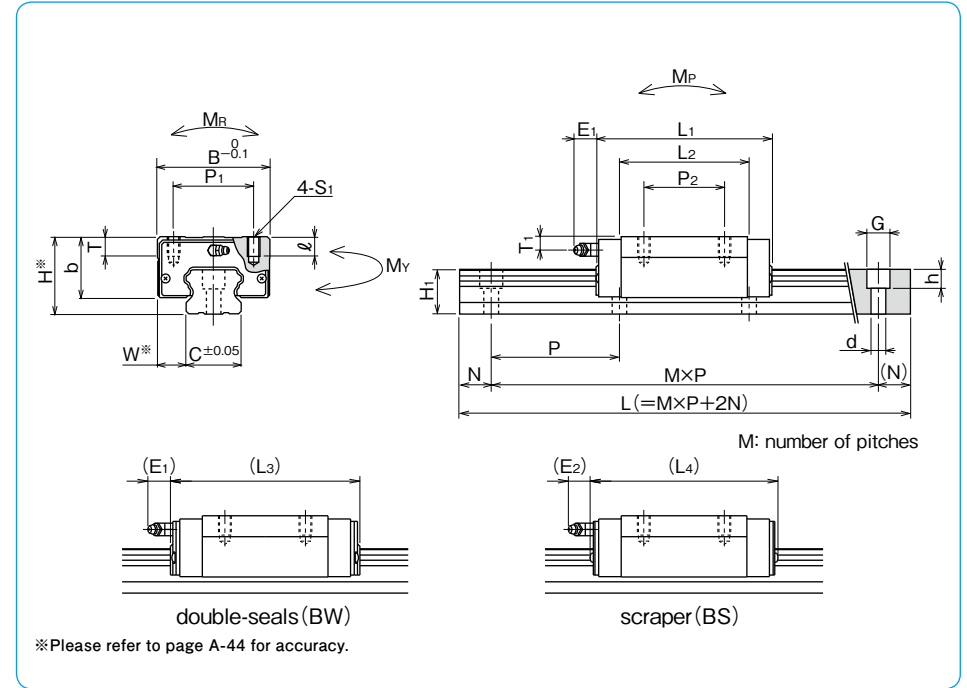
- GL type
- size
- block style
- seal (refer to page A-14)
- B**(standard): with side-seals + under-seals
- BW**: with double-seals + under-seals
- BS**: B + scraper
- number of blocks attached to one rail
- preload symbol
- blank**: standard
- T1**: light
- T2**: medium
- total length of rail
- size of rail installation hole (D type rail is available only for GL 15)

- symbol for grease
- blank**: standard grease
- KGL**: lithium-based grease
- KGU**: urea-based grease
- KGF**: anti-fretting grease
- GK**: K-grease
- refer to page Eng-39~
- Fiber Sheet comes only with standard grease.
- with bellows (refer to page A-16)
- with rail mounting hole caps
- with low temperature black chrome treatment
- symbol for number of axes*
- blank**: single axis
- W2**: 2 parallel axes
- W3**: 3 parallel axes
- accuracy grade
- blank**: standard
- H**: high
- P**: precision

*The symbol for the number of axes does not mean the number of rails ordered.

part number	assembly dimensions		block dimensions												
	H	W	B	L ₁	L ₂	L ₃	L ₄	P ₁	P ₂	S ₁	ℓ	T	b	E ₁	E ₂
	mm	mm	mm	mm	mm	mm	mm	mm	mm	mm	mm	mm	mm	mm	mm
GL15TF GL15TF-D	24	9.5	34	56.5	38.5	62.7	63.1	26	26	M4	7	6	19.5	6	5.4
GL20TF	28	11	42	65.8	47.4	72.0	72.4	32	32	M5	8	7.5	22	12	11
GL25TF	33	12.5	48	80	59	86.4	87.2	35	35	M6	9	8	26		
GL30TF	42	16	60	95.7	67.7	104.3	103.3	40	40	M8	12	9	32.5		
GL35TF	48	18	70	109	78	117.6	116.6	50	50			13	38		

part number	standard rail length L mm															
GL15	160	220	280	340	400	460	520	580	640	700	760	820	880	940	1,000	1,120
GL20	220	280	340	400	460	520	580	640	700	760	820	880	940	1,000	1,120	1,240
GL25	220	280	340	400	460	520	580	640	700	760	820	880	940	1,000	1,120	1,240
GL30	280	360	440	520	600	680	760	840	920	1,000	1,080	1,160	1,240	1,320	1,400	1,480
GL35	280	360	440	520	600	680	760	840	920	1,000	1,080	1,160	1,240	1,320	1,400	1,480

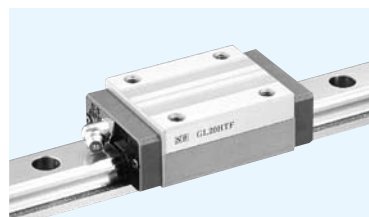


T ₁	grease fitting	guide rail dimensions				basic load rating			allowable static moment			mass		block size
		H _i	C	d × G × h	N	P	dynamic C	static C ₀	M _P	M _Y	M _R	block kg	guide rail kg/m	
mm	mm	mm	mm	mm	mm	mm	kN	kN	N · m	N · m	N · m	kg	kg/m	
5	pressed fitting	13.5	15	3.5 × 6 × 4.5	20	60	10.6	16.2	100	100	127	0.2	1.3	15
6	B-M6F	16	20	6 × 9.5 × 8.5			16.4	23.3	165	165	250	0.3	2.1	20
6.5		20	23	7 × 11 × 9	24.8	36.3	335	335	437	0.4	3.0	25		
9		24	28		33.6	49.2	529	529	716	0.8	4.6	30		
8.5		27.5	34	9 × 14 × 12	46.7	64.8	796	796	1,188	1.3	6.2	35		

1kN ≒ 102kgf 1N · m ≒ 0.102kgf · m

	maximum length mm
1,240 1,360 1,480	2,000
1,360 1,480 1,600 1,660 1,720 1,840 1,960	3,000
1,360 1,480 1,600 1,660 1,720 1,840 1,960	3,000
1,640 1,720 1,800 1,880 1,960	3,000
1,640 1,720 1,800 1,880 1,960	3,000

GL-HTF TYPE



part number structure

example **GL 20 HTF B 2 T1 -589 P/W2 LB F J -KGL**

GL type

size

block style

seal (refer to page A-14)
B (standard): with side-seals + under-seals
BW: with double-seals + under-seals
BS: B + scraper

number of blocks attached to one rail

preload symbol
blank: standard
T1: light
T2: medium

total length of rail

symbol for grease
blank: standard grease
KGL: lithium-based grease
KGU: urea-based grease
KGF: anti-fretting grease
GK: K-grease
refer to page Eng-39~
Fiber Sheet comes only with standard grease.

with bellows (refer to page A-16)

with rail mounting hole caps

with low temperature black chrome treatment

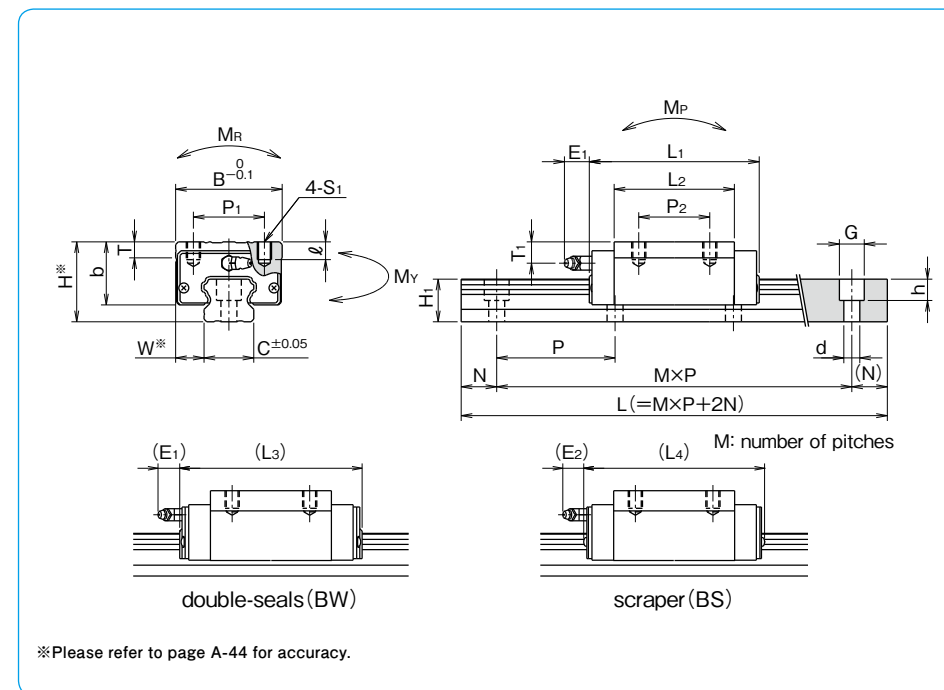
symbol for number of axes*
blank: single axis
W2: 2 parallel axes
W3: 3 parallel axes

accuracy grade
blank: standard
H: high
P: precision

*The symbol for the number of axes does not mean the number of rails ordered.

part number	assembly dimensions		block dimensions												
	H	W	B	L ₁	L ₂	L ₃	L ₄	P ₁	P ₂	S ₁	ℓ	T	b	E ₁	E ₂
	mm	mm	mm	mm	mm	mm	mm	mm	mm	mm	mm	mm	mm	mm	mm
GL15HTF	28	9.5	34	56.5	38.5	62.7	63.1	26	26	M4	5	6	23.7	6	5.4
GL20HTF	30	12	44	71.6	53.2	77.8	78.2	32	36	M5	6	9.5	24	12	11
GL25HTF	40	12.5	48	80	59	86.4	87.2	35	35	M6	8	9	33		
GL30HTF	45	16	60	95.7	67.7	104.3	103.3	40	40	M8	10	13	35.5		
GL35HTF	55	18	70	109	78	117.6	116.6	50	50		12	13	45		
GL45HTF	70	20.5	86	139	102	147.5	148	60	60	M10	17	15	60	15	15

part number	standard rail length															
	L mm															
GL15	160	220	280	340	400	460	520	580	640	700	760	820	880	940	1,000	1,120
GL20	220	280	340	400	460	520	580	640	700	760	820	880	940	1,000	1,120	1,240
GL25	220	280	340	400	460	520	580	640	700	760	820	880	940	1,000	1,120	1,240
GL30	280	360	440	520	600	680	760	840	920	1,000	1,080	1,160	1,240	1,320	1,400	1,480
GL35	280	360	440	520	600	680	760	840	920	1,000	1,080	1,160	1,240	1,320	1,400	1,480
GL45	570	675	780	885	990	1,095	1,200	1,305	1,410	1,515	1,620	1,725	1,830	1,935	2,040	2,145

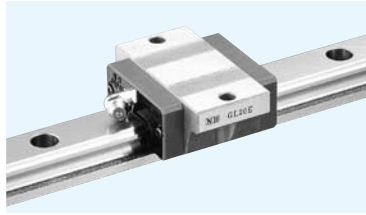


T ₁	grease fitting	guide rail dimensions					basic load rating			allowable static moment			mass		block size
		H _i	C	d×G×h	N	P	dynamic C	static C ₀	M _P	M _Y	M _R	block kg	guide rail kg/m		
mm		mm	mm	mm	mm	mm	kN	kN	N·m	N·m	N·m	kg	kg/m		
9	pressed fitting	13.5	15	4.5×7.5×5.3	20	60	10.6	16.2	100	100	127	0.2	1.3	15	
8	B-M6F	16	20	6×9.5×8.5			18.4	27.5	227	227	296	0.4	2.1	20	
13.5		20	23	7×11×9			24.8	36.3	335	335	437	0.6	3.0	25	
12		24	28	9×14×12			33.6	49.2	529	529	716	0.9	4.6	30	
15.5	27.5	34	46.7		64.8	796	796	1,188	1.5	6.2	35				
20	B-PT1/8	36.5	45	14×20×17	22.5	105	74.8	101.2	1,553	1,553	2,312	3.1	10.5	45	

1kN≒102kgf 1N·m≒0.102kgf·m

							maximum length	
							mm	
1,240	1,360	1,480					2,000	
1,360	1,480	1,600	1,660	1,720	1,840	1,960	3,000	
1,360	1,480	1,600	1,660	1,720	1,840	1,960	3,000	
1,640	1,720	1,800	1,880	1,960			3,000	
1,640	1,720	1,800	1,880	1,960			3,000	
2,250	2,355	2,460	2,565	2,670	2,775	2,880	2,985	3,000

GL-E TYPE



part number structure

example **GL15EB2T1-589DP/W2LBFJ-KGL**

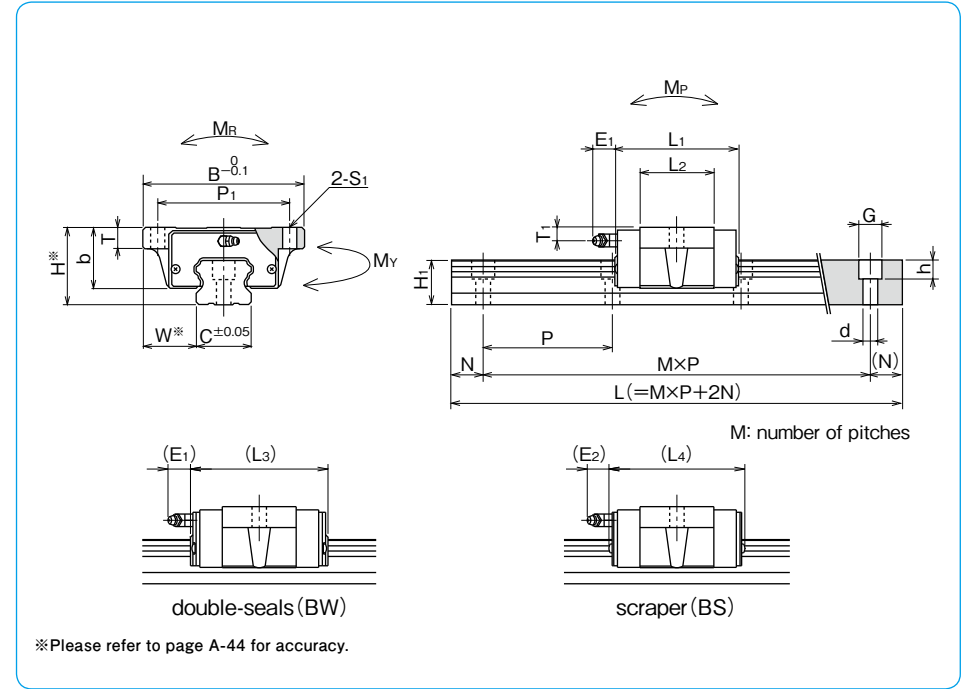
GL type
 size
 block style
 seal (refer to page A-14)
B(standard): with side-seals + under-seals
BW: with double-seals + under-seals
BS: B + scraper
 number of blocks attached to one rail
 preload symbol
blank: standard
T1: light
T2: medium
 total length of rail
 size of rail installation hole (D type rail is available only for GL 15)

symbol for grease
blank: standard grease
KGL: lithium-based grease
KGU: urea-based grease
KGF: anti-fretting grease
GK: K-grease
 refer to page Eng-39~
 Fiber Sheet comes only with standard grease.
 with bellows (refer to page A-16)
 with rail mounting hole caps
 with low temperature black chrome treatment
 symbol for number of axes*
blank: single axis
W2: 2 parallel axes
W3: 3 parallel axes
 accuracy grade
blank: standard
H: high
P: precision

*The symbol for the number of axes does not mean the number of rails ordered.

part number	assembly dimensions		block dimensions										
	H	W	B	L ₁	L ₂	L ₃	L ₄	P ₁	S ₁	T	b	E ₁	E ₂
	mm	mm	mm	mm	mm	mm	mm	mm	mm	mm	mm	mm	mm
GL15E GL15E-D	24	18.5	52	40.7	22.7	46.9	47.3	41	4.5	7	19.5	6	5.4
GL20E	28	19.5	59	47.9	29.5	54.1	54.5	49	5.5	9	22	12	11
GL25E	33	25	73	58.7	37.7	65.1	65.9	60	7	10	26		
GL30E	42	31	90	68	40	76.6	75.6	72	9	13	38	12	11
GL35E	48	33	100	77	46	85.6	84.6	82					

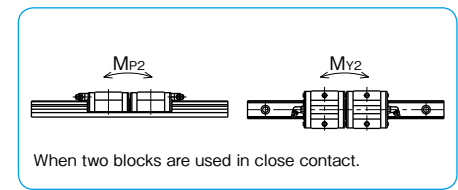
part number	standard rail length L mm															
GL15	160	220	280	340	400	460	520	580	640	700	760	820	880	940	1,000	1,120
GL20	220	280	340	400	460	520	580	640	700	760	820	880	940	1,000	1,120	1,240
GL25	220	280	340	400	460	520	580	640	700	760	820	880	940	1,000	1,120	1,240
GL30	280	360	440	520	600	680	760	840	920	1,000	1,080	1,160	1,240	1,320	1,400	1,480
GL35	280	360	440	520	600	680	760	840	920	1,000	1,080	1,160	1,240	1,320	1,400	1,480



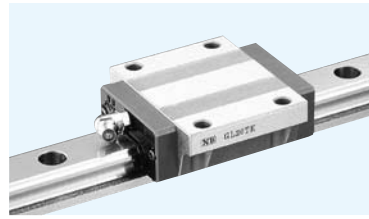
T ₁	grease fitting	guide rail dimensions				N	P	basic load rating			allowable static moment			mass		block size		
		H ₁	C	d×G×h				dynamic C	static C ₀	M _P	M _Y	M _R	block	guide rail				
mm		mm	mm	mm		mm	mm	kN	kN	N·m	N·m	N·m	kg	kg/m				
5	pressed fitting	13.5	15	3.5×6×4.5		20	60	7.29	9.46	37	37	74	0.1	1.3	15			
				4.5×7.5×5.3								252	252					
6	B-M6F	16	20	6×9.5×8.5		20	80	11.91	14.81	72	72	159	0.2	2.1	20			
				7×11×9						17.0	21.2	123	123	255	0.4	3.0	25	
6.5			20	23						23.0	28.7	195	195	418	0.6	4.6	30	
9			24	28						32.0	37.8	1,263	1,263	693	0.9	6.2	35	
8.5		27.5	34	9×14×12						294	294							
										1,873	1,873							

1kN≒102kgf 1N·m≒0.102kgf·m

	maximum length mm
1,240 1,360 1,480	2,000
1,360 1,480 1,600 1,660 1,720 1,840 1,960	3,000
1,360 1,480 1,600 1,660 1,720 1,840 1,960	3,000
1,640 1,720 1,800 1,880 1,960	3,000
1,640 1,720 1,800 1,880 1,960	3,000



GL-TE TYPE



part number structure

example **GL 15 TE B 2 T1 -589 D P/W2 LB F J -KGL**

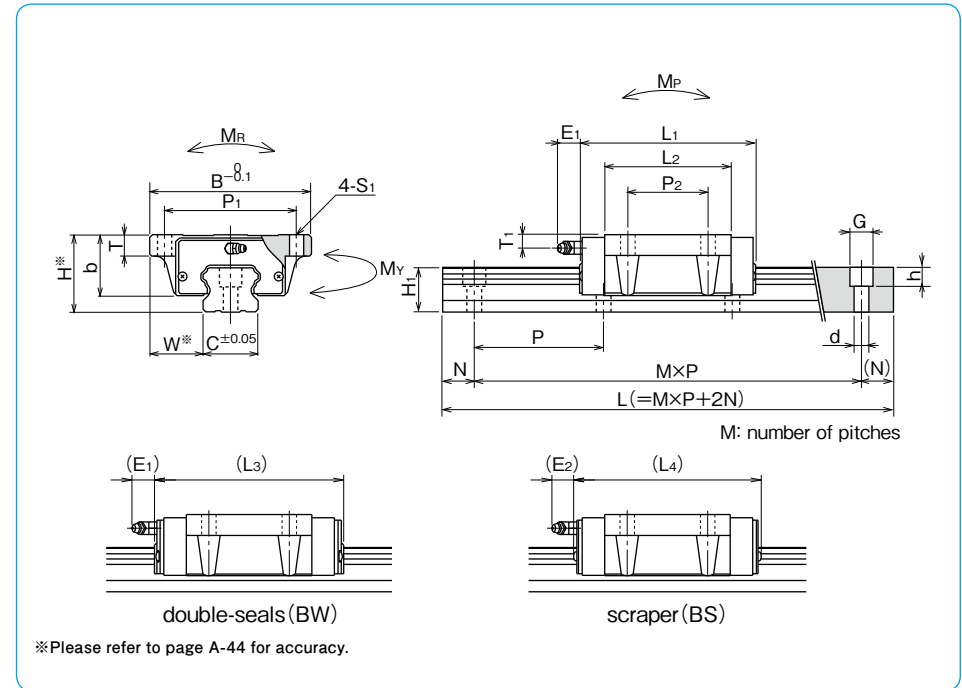
GL type
 size
 block style
 seal (refer to page A-14)
B(standard): with side-seals + under-seals
BW: with double-seals + under-seals
BS: B + scraper
 number of blocks attached to one rail
 preload symbol
blank: standard
T1: light
T2: medium
 total length of rail
 size of rail installation hole (D type rail is available only for GL 15)

symbol for grease
blank: standard grease
KGL: lithium-based grease
KGU: urea-based grease
KGF: anti-fretting grease
GK: K-grease
 refer to page Eng-39~
 Fiber Sheet comes only with standard grease.
 with bellows (refer to page A-16)
 with rail mounting hole caps
 with low temperature black chrome treatment
 symbol for number of axes*
blank: single axis
W2: 2 parallel axes
W3: 3 parallel axes
 accuracy grade
blank: standard
H: high
P: precision

*The symbol for the number of axes does not mean the number of rails ordered.

part number	assembly dimensions		block dimensions											
	H	W	B	L ₁	L ₂	L ₃	L ₄	P ₁	P ₂	S ₁	T	b	E ₁	E ₂
	mm	mm	mm	mm	mm	mm	mm	mm	mm	mm	mm	mm	mm	mm
GL15TE GL15TE-D	24	18.5	52	56.5	38.5	62.7	63.1	41	26	4.5	7	19.5	6	5.4
GL20TE	28	19.5	59	65.8	47.4	72.0	72.4	49	32	5.5	9	22	12	11
GL25TE	33	25	73	80	59	86.4	87.2	60	35	7	10	26		
GL30TE	42	31	90	95.7	67.7	104.3	103.3	72	40	9	13	32.5		
GL35TE	48	33	100	109	78	117.6	116.6	82	50					

part number	standard rail length L mm															
GL15	160	220	280	340	400	460	520	580	640	700	760	820	880	940	1,000	1,120
GL20	220	280	340	400	460	520	580	640	700	760	820	880	940	1,000	1,120	1,240
GL25	220	280	340	400	460	520	580	640	700	760	820	880	940	1,000	1,120	1,240
GL30	280	360	440	520	600	680	760	840	920	1,000	1,080	1,160	1,240	1,320	1,400	1,480
GL35	280	360	440	520	600	680	760	840	920	1,000	1,080	1,160	1,240	1,320	1,400	1,480

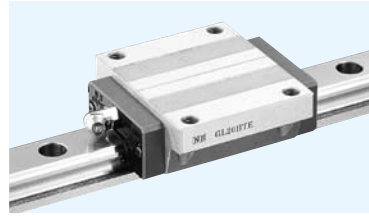


T ₁	grease fitting	guide rail dimensions				basic load rating			allowable static moment			mass		block size
		H _i	C	d × G × h	N	P	dynamic C	static C ₀	M _P	M _Y	M _R	block kg	guide rail kg/m	
mm		mm	mm	mm	mm	mm	kN	kN	N · m	N · m	N · m			
5	pressed fitting	13.5	15	3.5 × 6 × 4.5 4.5 × 7.5 × 5.3	20	60	10.6	16.2	100	100	127	0.2	1.3	15
6	B-M6F	16	20	6 × 9.5 × 8.5			16.4	23.3	165	165	250	0.3	2.1	20
6.5		20	23	7 × 11 × 9			24.8	36.3	335	335	437	0.6	3.0	25
9		24	28				80	33.6	49.2	529	529	716	1.0	4.6
8.5		27.5	34	9 × 14 × 12				46.7	64.8	796	796	1,188	1.5	6.2

1kN≒102kgf 1N · m≒0.102kgf · m

	maximum length mm
1,240 1,360 1,480	2,000
1,360 1,480 1,600 1,660 1,720 1,840 1,960	3,000
1,360 1,480 1,600 1,660 1,720 1,840 1,960	3,000
1,640 1,720 1,800 1,880 1,960	3,000
1,640 1,720 1,800 1,880 1,960	3,000

GL-HTE TYPE



part number structure

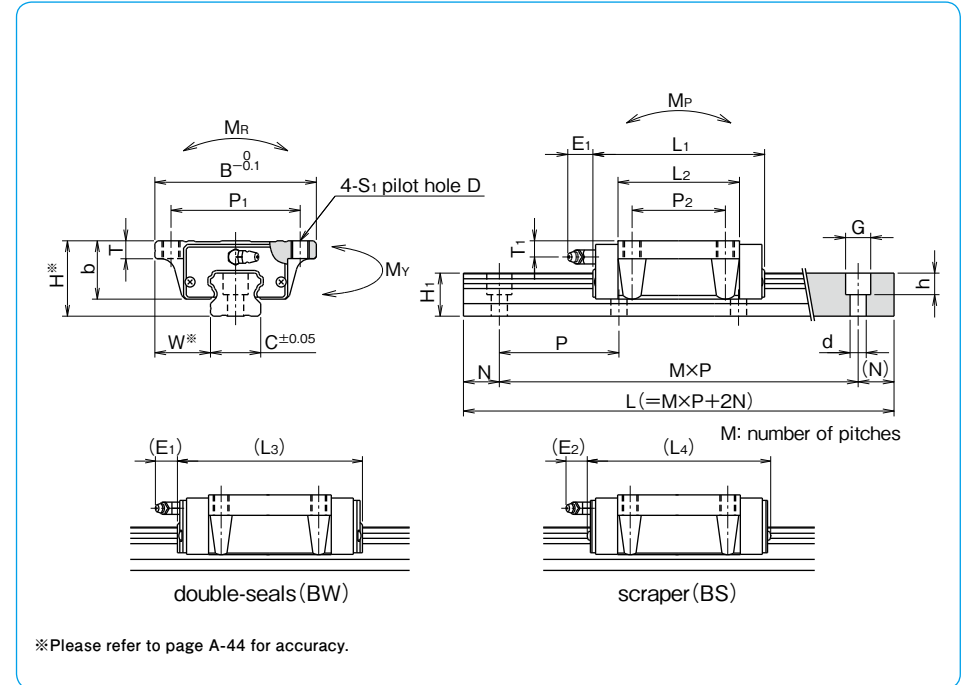
example **GL 20 HTE B 2 T1 -589 P/W2 LB F J -KGL**

- GL type
- size
- block style
- seal (refer to page A-14)
 - B (standard): with side-seals + under-seals
 - BW: with double-seals + under-seals
 - BS: B + scraper
- number of blocks attached to one rail
- preload symbol
 - blank: standard
 - T1: light
 - T2: medium
- total length of rail
- symbol for grease
 - blank: standard grease
 - KGL: lithium-based grease
 - KGU: urea-based grease
 - KGF: anti-fretting grease
 - GK: K-grease
- refer to page Eng-39~
Fiber Sheet comes only with standard grease.
- with bellows (refer to page A-16)
- with rail mounting hole caps
- with low temperature black chrome treatment
- symbol for number of axes*
 - blank: single axis
 - W2: 2 parallel axes
 - W3: 3 parallel axes
- accuracy grade
 - blank: standard
 - H: high
 - P: precision

*The symbol for the number of axes does not mean the number of rails ordered.

part number	assembly dimensions		block dimensions												
	H	W	B	L ₁	L ₂	L ₃	L ₄	P ₁	P ₂	S ₁	D	T	b	E ₁	E ₂
	mm	mm	mm	mm	mm	mm	mm	mm	mm	mm	mm	mm	mm	mm	mm
GL15HTE	24	16	47	56.5	38.5	62.7	63.1	38	30	M5	4.4	7.5	19.7	6	5.4
GL20HTE	30	21.5	63	71.6	53.2	77.8	78.2	53	40	M6	5.4	10.5	24	12	11
GL25HTE	36	23.5	70	80	59	86.4	87.2	57	45	M8	6.8	12.5	29		
GL30HTE	42	31	90	95.7	67.7	104.3	103.3	72	52	M10	8.5	10	32.5		
GL35HTE	48	33	100	109	78	117.6	116.6	82	62			13	38		
GL45HTE	60	37.5	120	139	102	147.5	148	100	80	M12	10.5	15	50	15	15

part number	standard rail length															
	L mm															
GL15	160	220	280	340	400	460	520	580	640	700	760	820	880	940	1,000	1,120
GL20	220	280	340	400	460	520	580	640	700	760	820	880	940	1,000	1,120	1,240
GL25	220	280	340	400	460	520	580	640	700	760	820	880	940	1,000	1,120	1,240
GL30	280	360	440	520	600	680	760	840	920	1,000	1,080	1,160	1,240	1,320	1,400	1,480
GL35	280	360	440	520	600	680	760	840	920	1,000	1,080	1,160	1,240	1,320	1,400	1,480
GL45	570	675	780	885	990	1,095	1,200	1,305	1,410	1,515	1,620	1,725	1,830	1,935	2,040	2,145



*Please refer to page A-44 for accuracy.

T ₁	grease fitting	guide rail dimensions				N	P	basic load rating			allowable static moment			mass		block size
		H _i	C	d × G × h	d × G × h			dynamic C	static C ₀	M _P	M _Y	M _R	block kg	guide rail kg/m		
mm		mm	mm	mm	mm	mm	kN	kN	N · m	N · m	N · m	kg	kg/m			
5	pressed fitting	13.5	15	4.5 × 7.5 × 5.3	20	60	10.6	16.2	100	100	127	0.2	1.3	15		
8	B-M6F	16	20	6 × 9.5 × 8.5			18.4	27.5	227	227	296	0.4	2.1	20		
9.5		20	23	7 × 11 × 9	24.8	36.3	335	335	437	0.6	3.0	25				
9		24	28	9 × 14 × 12	33.6	49.2	529	529	716	1.0	4.6	30				
8.5	27.5	34	46.7		64.8	796	796	1,188	1.5	6.2	35					
10	B-PT1/8	36.5	45	14 × 20 × 17	22.5	105	74.8	101.2	1,553	1,553	2,312	3.1	10.5	45		

1kN ≅ 102kgf 1N · m ≅ 0.102kgf · m

							maximum length	
							mm	
1,240	1,360	1,480					2,000	
1,360	1,480	1,600	1,660	1,720	1,840	1,960	3,000	
1,360	1,480	1,600	1,660	1,720	1,840	1,960	3,000	
1,640	1,720	1,800	1,880	1,960			3,000	
1,640	1,720	1,800	1,880	1,960			3,000	
2,250	2,355	2,460	2,565	2,670	2,775	2,880	2,985	3,000

SLIDE GUIDE SGW Type

The NB slide guide SGW type is a linear motion bearing utilizing the rotational motion of ball elements along four rows of raceway grooves. Its low height and wide profile makes it suitable for single-rail applications.

STRUCTURE AND ADVANTAGES

The NB slide guide SGW type consists of a rail with four precisely machined raceway grooves and a block assembly. The block assembly consists of the main body, ball elements, retainers, and return caps.

High Load Capacity and Long Life

The raceway grooves are machined to a radius close to that of the ball elements. The larger contact area resulting in a high load capacity and a long travel life.

High Allowable Moment

Its wide profile enables it to sustain high moment loads, making it suitable for single-rail applications.

Omni-Directional Load Capacity

The ball elements are positioned at 45° contact angle so that the load capacity is equal in four directions (above, below, right and left).

Smooth Motion

The large number of effective ball elements produce a smooth rolling motion.

Anti-Corrosion Specification

The rail and block assembly can be treated with low temperature black chrome treatment to increase the corrosion resistance. This treatment is standardized with the symbol "LB", and suitable for use in clean room applications.

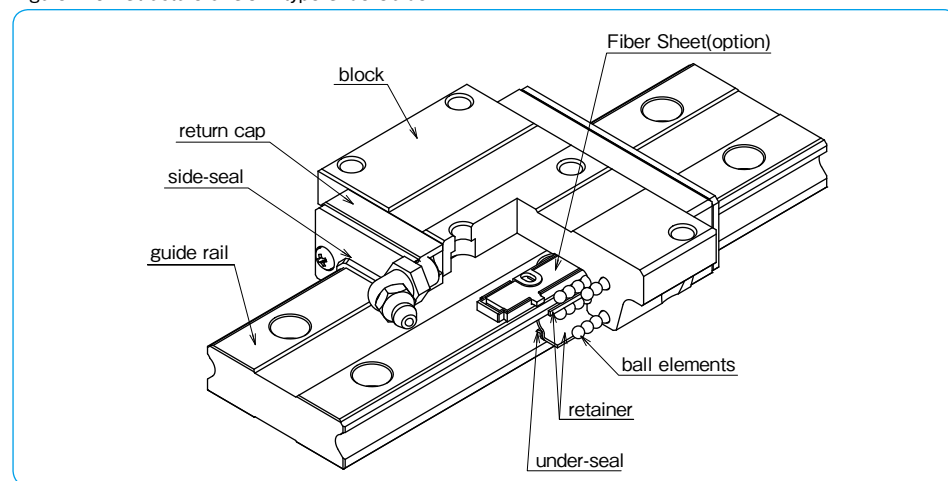
Dust Prevention

Side-seals are provided as standard. To improve the dust prevention characteristics, under-seals and rail mounting caps are also available.

Extension of Relubrication Period by Fiber Sheet

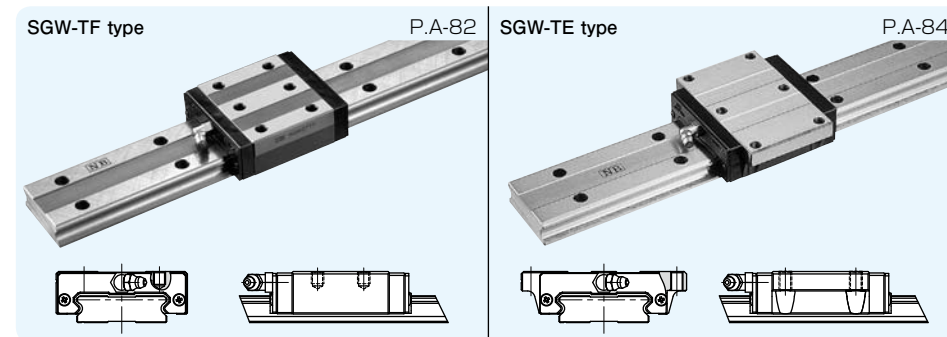
A lubricant-containing Fiber Sheet incorporated in the block supplies appropriate amount of lubricant to the raceway grooves, which significantly extends the lubricant replenishment interval. (refer to page A-18)

Figure A-61 Structure of SGW type Slide Guide



BLOCK TYPES

Two SGW block types are available depending on the mounting space and desired mounting method.



ACCURACY

Three accuracy grades are available: standard grade (blank), high grade (H), and precision grade (P).

Table A-29 Accuracy unit/mm

part number	SGW17,21			SGW27,35		
	standard	high	precision	standard	high	precision
accuracy grade						
accuracy symbol	blank	H	P	blank	H	P
allowable dimensional tolerance for height H	±0.1	±0.03	-0.03~0	±0.1	±0.04	-0.04~0
paired difference for height H	0.02	0.01	0.006	0.02	0.015	0.007
allowable dimensional tolerance for width W	±0.1	±0.03	-0.03~0	±0.1	±0.04	-0.04~0
paired difference for width W	0.02	0.01	0.006	0.03	0.015	0.007
Running parallelism of surface C to surface A	refer to Figure A-62,63					
Running parallelism of surface D to surface B	refer to Figure A-62,63					

Figure A-62 Motion Accuracy

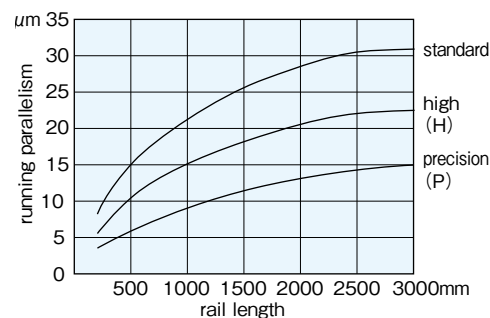
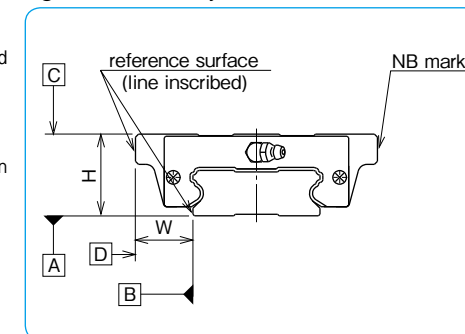


Figure A-63 Accuracy



PRELOAD

Three levels of preload are available for SGW slide guides: standard (blank), light (T1), and medium (T2).

Table A-30 Preload Call Out and Radial Clearance unit/ μm

preload	standard	light	medium
symbol	blank	T1	T2
SGW17	-3~+2	-7~-3	-
SGW21	-4~+2	-8~-4	-
SGW27	-5~+2	-11~-5	-
SGW35	-8~+4	-18~-8	-28~-18

Table A-31 Operating Conditions and Preload

preload	symbol	operating conditions
standard	blank	minute vibration is applied. accurate motion is required. moment is applied in a given direction.
light	T1	light vibration is applied. light torsional load is applied. moment is applied.
medium	T2	shock and vibration are applied. over-hang load is applied. torsional load is applied.

RAIL LENGTH

Slide guides with most commonly used lengths are available as standard. For slide guides with a non-standard length, unless otherwise specified, the distance from one end of the rail to the first hole center (N) will be within the range listed in Table A-32, satisfying the following equation.

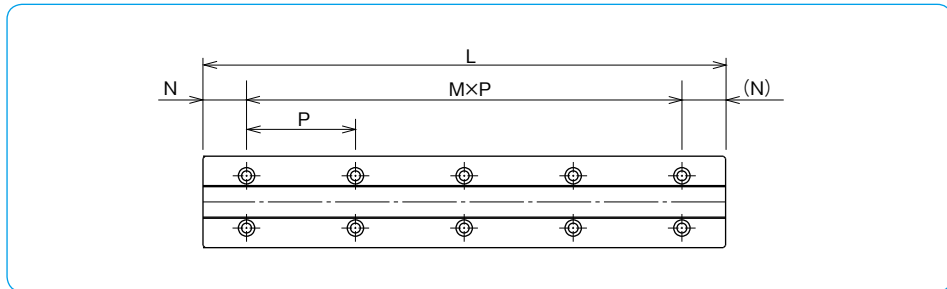
$$L = M \cdot P + 2N$$

L: length (mm) M: number of pitches P: hole pitch (mm)
N: distance from the end of the rail to the first hole center (mm)

Table A-32 N Dimension unit/mm

part number	N		L max.
	and over	less than	
SGW17	8	28	2,000
SGW21		33	
SGW27		38	
SGW35	12	52	3,000

Figure A-64 Rail



MOUNTING

Slide guides are generally mounted by pushing the reference surface of the rail and block against the shoulder of the mounting surface. To avoid interference between the shoulder and the corner of the rail or block, the recommended dimensions are listed in Table A-34.

The screws to fasten the rail should be tightened to an equal torque using a torque wrench in order to secure the motion accuracy. The recommended torque values are given in Table A-33. Please adjust the torque depending on the operating conditions.

Table A-33 Recommended Torque unit/ $\text{N}\cdot\text{m}$

size	M4	M6
recommended torque	3.2	11.2

(for alloy steel screw)

Figure A-65 Mounting Reference Surface Profile

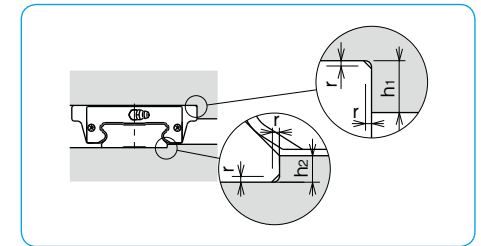


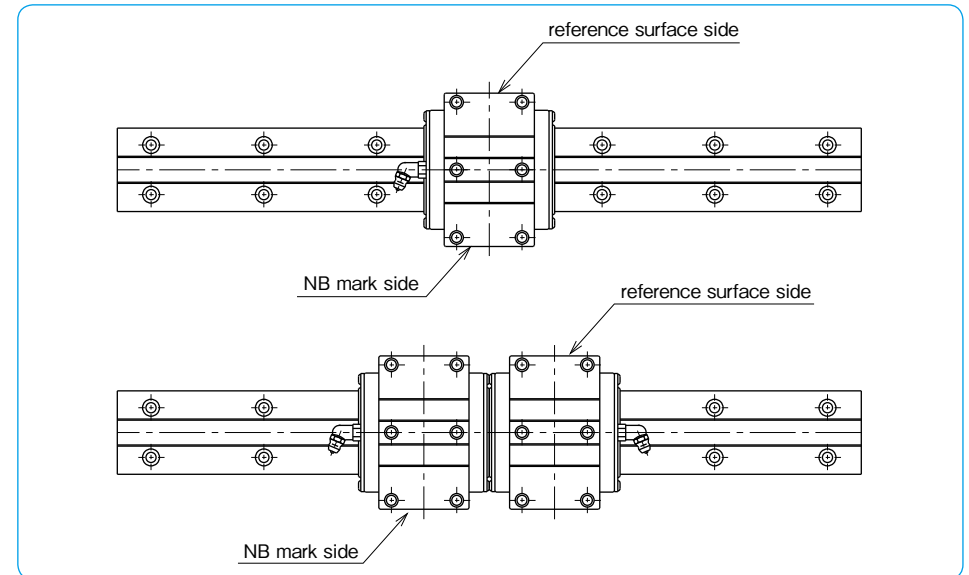
Table A-34 Shoulder Height and Radius Dimensions unit/mm

part number	h ₁	h ₂	r _{max.}
SGW17	4	2	0.4
SGW21	5	2.5	
SGW27		3.5	
SGW35		3.5	0.8

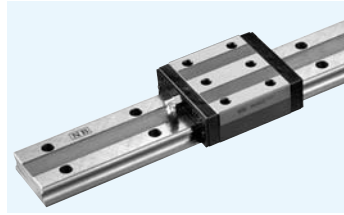
GREASE FITTING

A grease fitting is attached to the return cap of SGW type guide block for lubrication purposes. Unless otherwise specified, the orientation of the grease fitting is as shown in Figure A-66. When more than 2 blocks are used on one rail, please specify the grease fitting orientation.

Figure A-66 Grease Fitting Orientation



SGW-TF TYPE



part number structure

example **SGW 21 TF B 2 T1 -589 P/W2 FS LB F-KGL**

SGW type	TF type/block	B	2	T1	-589	P/W2	FS	LB	F	KGL		
size	TF type/block	with side-seals	with side-seals + under-seals	number of blocks attached to one rail	total length of rail	accuracy grade	blank: standard H: high P: precision	symbol for grease blank: standard grease KGL: lithium-based grease KGU: urea-based grease KGF: anti-fretting grease GK: K-grease refer to page Eng-39~	with rail mounting hole caps	with low temperature black chrome treatment	with Fiber Sheet (Fiber Sheet comes only with standard grease.)	symbol for number of axes* blank: single axis W2: 2 parallel axes W3: 3 parallel axes

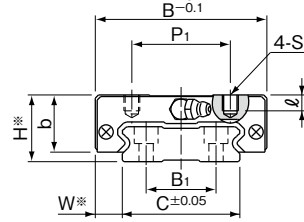
*The symbol for the number of axes does not mean the number of rails ordered.

part number	assembly dimensions		block dimensions											grease fitting	
	H	W	B	L ₁	L ₂	P ₁	P ₂	S	ℓ	T	b	E	T ₁		
	mm	mm	mm	mm	mm	mm	mm	mm	mm	mm	mm	mm	mm		
SGW17TF	17	8.5	50	51	33.6	29	15	M4	4	—	14.5	2.5	4	B-M6F	pressed fitting
SGW21TF	21	8.5	54	58	40	31	19	M5	5	—	18	4.5			
SGW27TF	27	10	62	71.8	51.8	46	32	M6	6	10	24	6			
SGW35TF	35	15.5	100	106.6	77.6	76	50	M8	8	14	31	8			

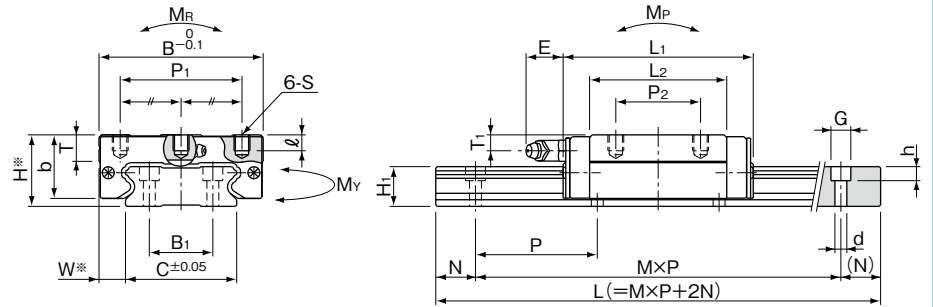
part number	standard rail length L mm										
SGW17	110	150	190	230	270	310	350	390	430	510	590
SGW21	130	180	230	280	330	380	430	480	530	630	730
SGW27	160	220	280	340	400	460	520	640	760	880	1,000
SGW35	280	360	440	520	600	680	760	920	1,080	1,240	1,400

Rails exceeding the maximum specified length may be fabricated if joints are used. Please contact NB for assistance.

SGW17·21TF



SGW27·35TF



*Please refer to page A-79 for accuracy.

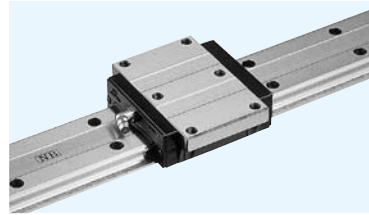
M: number of pitches

H ₁	C	B ₁	guide rail dimensions d×G×h mm	N	P	basic load rating		allowable static moment			mass block kg	mass guide rail kg/m	block size
						dynamic C kN	static C ₀ kN	M _P N·m	M _Y N·m	M _R N·m			
mm	mm	mm	mm	mm	mm	kN	kN	N·m	N·m	N·m	kg	kg/m	
9	33	18	4.5×7.5×5.3	15	40	4.8	8.6	43	43	161	0.13	2.05	17
11	37	22			50	7	12	72	72	253	0.20	2.84	21
15	42	24		20	60	13	22	172	172	496	0.38	4.43	27
19	69	40			7×11×9	80	31	49	579	579	1,855	1.16	9.32

1kN≒102kgf 1N·m≒0.102kgf·m

							maximum length mm
670	750	830	950	1,070	1,190	1,310	2,000
830	930	1,030	1,180	1,330	1,480		2,000
1,180	1,360	1,540	1,720	1,900			3,000
1,640	1,880	2,120					3,000

SGW-TE TYPE

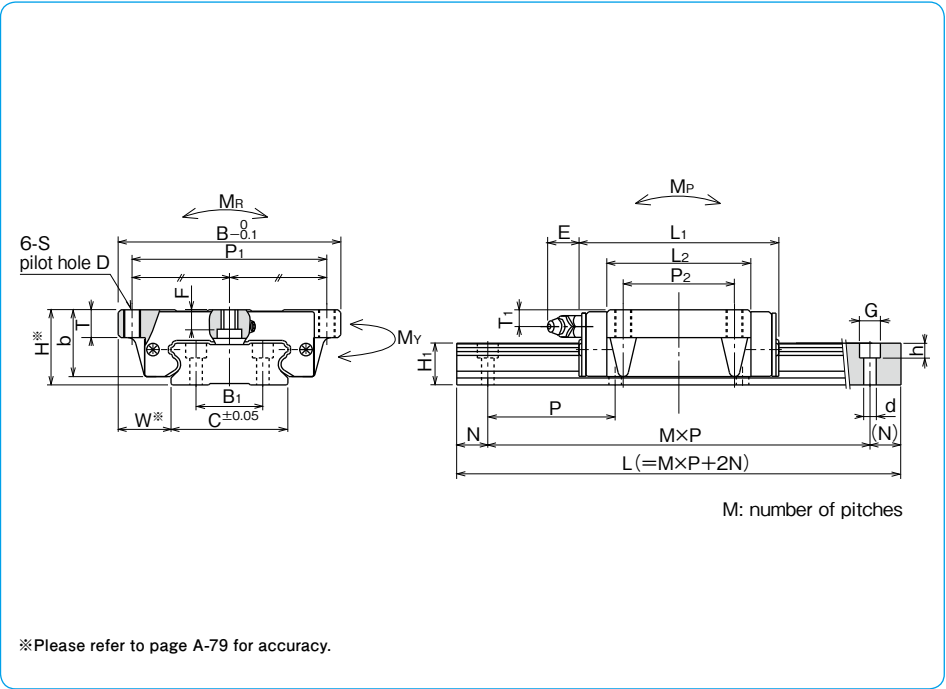


part number structure

example **SGW 21 TE B 2 T1 -589 P/W2 FS LB F-KGL**

SGW type	TE typeblock	seal (refer to page A-14)	number of blocks attached to one rail	preload symbol	total length of rail	accuracy grade	symbol for grease	with rail mounting hole caps	with low temperature black chrome treatment	with Fiber Sheet (Fiber Sheet comes only with standard grease.)	symbol for number of axes*
blank: with side-seals	blank: standard	blank: with side-seals + under-seals	blank: standard	blank: standard	blank: standard	blank: standard	blank: standard grease	with rail mounting hole caps	with low temperature black chrome treatment	with Fiber Sheet (Fiber Sheet comes only with standard grease.)	blank: single axis
B: with side-seals + under-seals	T1: light			T2: medium		H: high	KGL: lithium-based grease				W2: 2 parallel axes
						P: precision	KGU: urea-based grease				W3: 3 parallel axes
							KGF: anti-fretting grease				
							GK: K-grease				
							refer to page Eng-39~				

*The symbol for the number of axes does not mean the number of rails ordered.



part number	assembly dimensions		block dimensions											grease fitting	
	H	W	B	L ₁	L ₂	P ₁	P ₂	S	D	F	T	b	E		T ₁
	mm	mm	mm	mm	mm	mm	mm	mm	mm	mm	mm	mm	mm	mm	mm
SGW17TE	17	13.5	60	51	33.6	53	26	M4	3.3	3.2	6	14.5	2.5	4	pressed fitting
SGW21TE	21	15.5	68	58	40	60	29	M5	4.4	3.7	8	18		4.5	B-M6F
SGW27TE	27	19	80	71.8	51.8	70	40	M6	5.3	6	10	24	12	6	
SGW35TE	35	25.5	120	106.6	77.6	107	60	M8	6.8	8	14	31		8	

H ₁	C	B ₁	guide rail dimensions d x G x h	N	P	basic load rating		allowable static moment			mass block kg	mass guide rail kg/m	block size
						dynamic C kN	static C ₀ kN	M _P N·m	M _Y N·m	M _R N·m			
mm	mm	mm	mm	mm	mm	mm	mm	mm	mm	mm	mm	mm	mm
9	33	18	4.5 x 7.5 x 5.3	15	40	4.8	8.6	43	43	161	0.14	2.05	17
11	37	22				7	12	72	72	253	0.23	2.84	21
15	42	24				13	22	172	172	496	0.46	4.43	27
19	69	40	7 x 11 x 9	20	80	31	49	579	579	1,855	1.35	9.32	35

1kN≒102kgf 1N·m≒0.102kgf·m

part number	standard rail length L mm										
SGW17	110	150	190	230	270	310	350	390	430	510	590
SGW21	130	180	230	280	330	380	430	480	530	630	730
SGW27	160	220	280	340	400	460	520	640	760	880	1,000
SGW35	280	360	440	520	600	680	760	920	1,080	1,240	1,400

							maximum length mm
670	750	830	950	1,070	1,190	1,310	2,000
830	930	1,030	1,180	1,330	1,480		2,000
1,180	1,360	1,540	1,720	1,900			3,000
1,640	1,880	2,120					3,000

Rails exceeding the maximum specified length may be fabricated if joints are used. Please contact NB for assistance.

BALL SPLINE

**ROTARY
BALL SPLINE**

**STROKE
BALL SPLINE**

BALL SPLINE

The NB ball spline is a linear motion mechanism utilizing the rotational motion of ball elements that can sustain loads and at the same time can transfer torque. It can be used in a wide variety of applications including robotics and transport type equipment.

STRUCTURE AND ADVANTAGES

The NB ball spline consists of a spline shaft with raceway grooves and a spline nut. The spline nut consists of an outer cylinder (main body), retainer, side rings, and ball elements that is designed and manufactured to achieve a reliably smooth motion.

High Load Capacity and Long Travel Life

The raceway grooves are machined to a radius close to that of the ball elements. The large ball contact area results in high load capacity and long travel life.

Wide Variety of Configurations

Spline shaft sizes with diameters from 4mm to 100mm are available. Several types of spline nut are available: cylindrical types (SSP/SSPM), flange types (SSPF/SSPT), and block type (SSPB). Material option of Stainless steel (SUS440C or equivalent) is also available. They can be specified to suit various applications.

High Accuracy Torque Transmission

Due to the effective contact angle between the raceway grooves and the balls, the NB ball spline can transfer large torque. By adjusting preload it is possible to give a higher rigidity and a higher positioning accuracy.

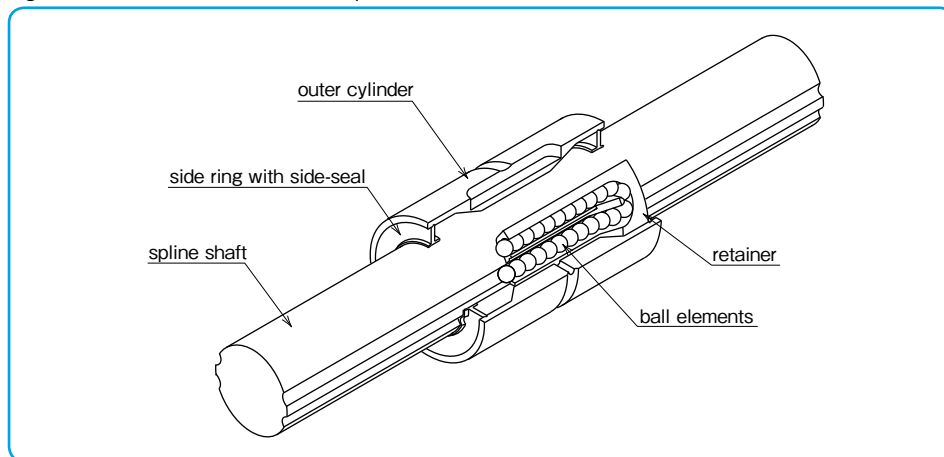
Ease of Additional Custom Machining

Since a round shaft with raceway grooves is used, NB ball spline shafts can be machined easily to customized specifications.

High-Speed Motion and High-Speed Rotation

The outer cylinder is compact and well balanced, resulting in good performance at high speed.

Figure B-1 Basic Structure of NB Ball Spline

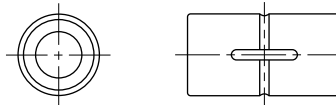
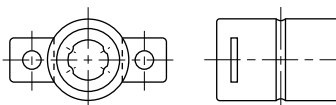
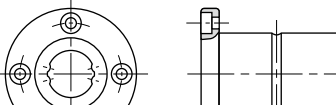
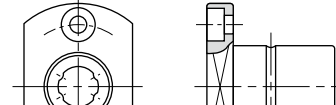
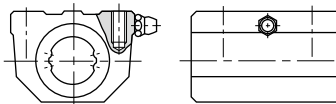


TYPES

TYPES OF SPLINE NUT

A wide variety of spline nut designs are available and all spline nuts come with side-seals as a standard feature.




Table B-1 Types of Spline Nut

type of nut		shape and advantage	page
cylindrical type	SSP SSPS	 <ul style="list-style-type: none"> cylindrical spline nut with key groove with special key nominal diameter: SSP4-100 : SSPS4-25 	P.B-14
	SSPM	 <ul style="list-style-type: none"> cylindrical spline nut without key groove with two lock plates for fixing nominal diameter: 6-10 	P.B-16
flange type	SSPF SSPFS	 <ul style="list-style-type: none"> spline nut with flange nominal diameter: SSPF6-60 : SSPFS6-25 	P.B-18
	SSPT	 <ul style="list-style-type: none"> spline nut with a two side cut flange nominal diameter: 6-10 	P.B-20
block type	SSPB	 <ul style="list-style-type: none"> cast block spline grooves are machined directly on main body high rigidity with grease fitting nominal diameter: 20-40 	P.B-22

TYPES OF SPLINE SHAFT

Depending on the application requirements, either a ground spline shaft or a non-ground (commercial grade) spline shaft is available.

Table B-2

type of spline shaft	shape and advantage
ground spline shaft	 <ul style="list-style-type: none"> • precision ground and precision machined surface finish • high precision • possible to machine ends of spline shaft and surface treatment • nominal diameter: 4-100
standard spline shaft	 <ul style="list-style-type: none"> • standard dimension and shape • accuracy grade: high grade • short lead time • nominal diameter: 4-60 (refer to page B-24)
commercial shaft (non-ground)	 <ul style="list-style-type: none"> • for general industrial use • cost effective • possible to machine ends of spline shaft and surface treatment • nominal diameter: 20-50 • maximum length: 5000mm (refer to page B-25)

ACCURACY

The NB ball spline is measured for accuracy at the points shown in Figure B-2 and categorized as either high-grade (blank) or precision-grade (P). Contact NB for accuracy information on the commercial type ball spline.

Table B-3

Tolerance of Spline Shaft and Groove Torsion

type of shaft	ground shaft	
accuracy grade	high	precision (P)
tolerance	13 μm/100mm	6 μm/100mm

Figure B-2 Accuracy Measurement Points

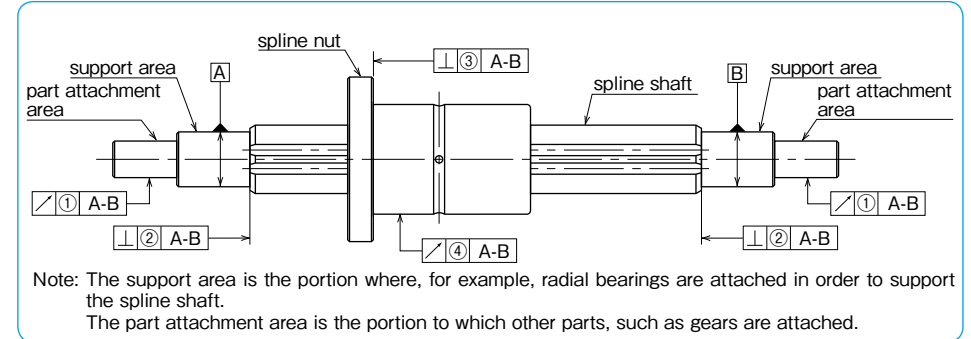


Table B-4 Tolerance Relative to Spline Support Area (Max.)

part number	unit/μm					
	radial runout of part attachment area ①		perpendicularity of the end of the spline shaft section ②		perpendicularity of the flange ③	
	high-grade	precision-grade	high-grade	precision-grade	high-grade	precision-grade
SSP 4					—	—
SSP 6	14	8	9	6	11	8
SSP 8						
SSP 10	17	10				
SSP 13A	19	12	11	8	13	9
SSP 16A						
SSP 20A						
SSP 25A	22	13	13	9	16	11
SSP 30A						
SSP 40A	25	15	16	11	19	13
SSP 50A						
SSP 60A	29	17	19	13	22	15
SSP 80						
SSP 80L						
SSP100						
SSP100L	34	20	22	15	—	—
SSP 20	19	12	11	8	13	9
SSP 25	22	13	13	9	16	11
SSP 30						
SSP 40	25	15	16	11	19	13
SSP 50						
SSP 60	29	17	19	13	22	15

Table B-5 ④ Radial Runout of Outer Surface of Spline Nut Relative to Spline Shaft Support Area (Max.) unit/μm

total length of spline shaft (mm)		part number													
		SSP4 SSP6 SSP8		SSP10		SSP13A SSP16A		SSP20A · 20 SSP25A · 25 SSP30A · 30		SSP40A · 40 SSP50A · 50		SSP60A · 60 SSP80 SSP80L		SSP100 SSP100L	
greater than	or less	high-grade	precision grade	high-grade	precision grade	high-grade	precision grade	high-grade	precision grade	high-grade	precision grade	high-grade	precision grade	high-grade	precision grade
—	200	46	26	36	20	34	18	32	18	32	16	30	16	30	16
200	315	89	57	54	32	45	25	39	21	36	19	34	17	32	17
315	400	126*	82*	68	41	53	31	44	25	39	21	36	19	34	17
400	500	163*	108*	82	51	62	38	50	29	43	24	38	21	35	19
500	630	—	—	102	65	75	46	57	34	47	27	41	23	37	20
630	800	—	—	—	—	92	58	68	42	54	32	45	26	40	22
800	1,000	—	—	—	—	115	75	83	52	63	38	51	30	43	24
1,000	1,250	—	—	—	—	153	97	102	65	76	47	59	35	48	28
1,250	1,600	—	—	—	—	195*	127*	130	85	93	59	70	43	55	33
1,600	2,000	—	—	—	—	—	—	171	116	118	77	86	54	65	40

★ SSP4 maximum length: 300mm; SSP6 maximum length: 400mm; SSP13A, 16A maximum length: 1500mm
 ★★ Please contact NB for shaft lengths exceeding 2000mm.

PRELOAD AND CLEARANCE IN ROTATIONAL DIRECTION

Both the clearance and preload are expressed in terms of clearance in the rotational direction. The preload is categorized into three different levels: standard, light (T1), and medium (T2). A preload cannot be specified with the commercial grade spline shaft.

Table B-6 Preload and Clearance in Rotational Direction unit/μm

part number	standard	light (T1)	medium (T2)
SSP 4	-2~+1	- 6~-2	-
SSP 6			
SSP 8			
SSP 10	-3~+1	- 8~-3	-13~- 8
SSP 13A			
SSP 16A			
SSP 20A			
SSP 25A			
SSP 30A	-4~+2	-12~-4	-20~-12
SSP 40A			
SSP 50A			
SSP 60A			
SSP 80	-6~+3	-18~-6	-30~-18
SSP 80L			
SSP100			
SSP100L	-8~+4	-24~-8	-40~-24
SSP 20			
SSP 25			
SSP 30			
SSP 40			
SSP 50			
SSP 60			

Table B-7 Operating Condition and PreLoad

preload	preload symbol	operating conditions
standard	blank	minute vibration is applied. a precise motion is required. a torque in a given direction is applied.
light	T1	slight vibration is applied. slight torsional load is applied. cyclic torque is applied.
medium	T2	shock/vibration is applied. over-hang load is applied. torsional load is applied.

RATED LIFE

When the ball elements are used as the rolling elements in ball splines, the following equations are used to calculate the life of ball spline.

For radial load

$$L = \left(\frac{f_c}{f_w} \cdot \frac{C}{P} \right)^3 \cdot 50$$

For torque load

$$L = \left(\frac{f_c}{f_w} \cdot \frac{C_T}{T} \right)^3 \cdot 50$$

L: rated life (km) f_c: contact coefficient f_w: load coefficient
 C: basic dynamic load rating (N) P: applied load (N)
 C_T: basic dynamic torque rating (N·m) T: applied torque (N·m)
 * Refer to page Eng-5 for the coefficients

** The load rating of the commercial spline is approximately 70% of the standard ball spline.

$$L_h = \frac{L \cdot 10^3}{2 \cdot \ell_s \cdot n_1 \cdot 60}$$

L_h: life time (hr) ℓ_s: stroke length (m)
 L: rated life (km) n₁: number of cycles per minute (cpm)

OPERATING CONDITIONS

The performance of the ball spline is affected by the operating conditions of the application. The operating conditions should therefore be carefully taken into consideration.

Dust Prevention

Foreign particles or dust in the ball spline nut affects the motion accuracy and shortens the life time. Standard seals will perform well for dust prevention under normal operating conditions, however, in a harsh environment it is necessary to attach bellows or protective covers. (refer to Figure B-4)

Operating Temperature

The retainer is made of resin, so the operating temperature should never exceed 80°C.

Excessive Moment

One spline nut can sustain high moment, however, excessive moment makes the spline nut unbalanced and unstable in motion. Please use more than one spline nut for high moment or high accuracy applications.

Figure B-3 Radial Load and Torque Load

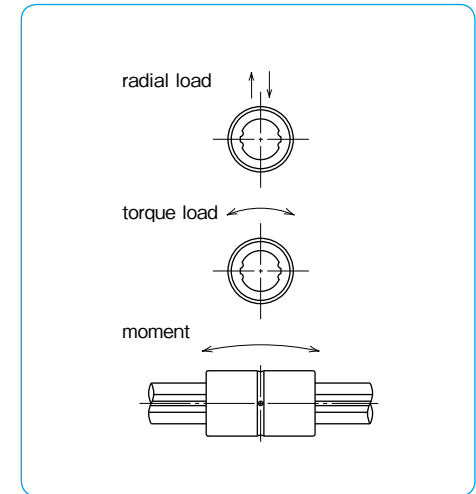
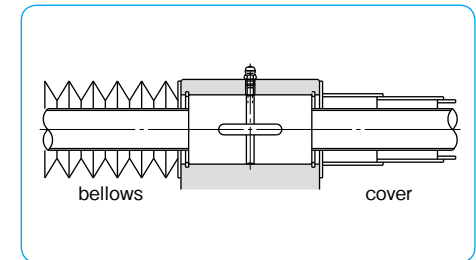


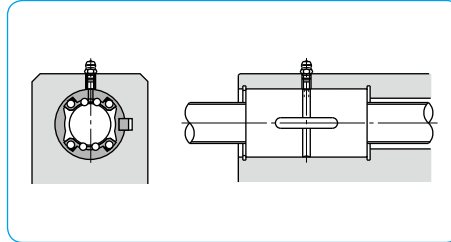
Figure B-4 Example of Dust Prevention



LUBRICATION

The spline nut is prelubricated with lithium soap based grease prior to shipment for immediate use. Please relubricate with a similar type of grease periodically depending on the operating conditions. Low dust generation grease is available from NB standard grease. (refer to page Eng-39) The NB spline nut has seals as standard. The seals work well to contain the grease inside the nut especially for the ground shaft, since the seal shape approximates the spline shaft profile.

Figure B-5 Example of Lubrication Mechanism



SPECIAL REQUIREMENTS

Based on customer drawings and requirements NB does shaft-end machining, spline nut machining, surface treatment, etc. Please contact NB for special requirements. Table B-8 shows a list of recommended inner diameters for hollow spline shaft.

Figure B-6 Example of Shaft-end Machining

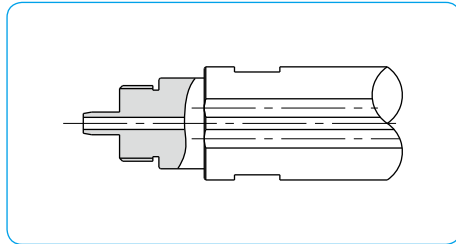
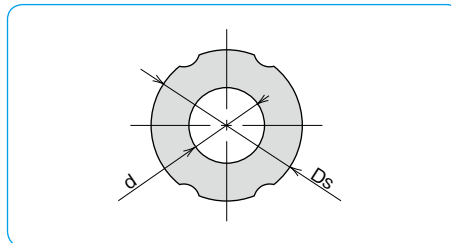


Table B-8 Recommended Inner Diameter for Hollow Spline Shaft

part number	shaft diameter Ds mm	inner diameter d mm	cross-sectional coefficient Z mm ³	second moment of inertia I mm ⁴
SSP 4	4	1.5	5.7	11
SSP 6	6	2	19.4	58
SSP 8	8	3	46.5	186
SSP10	10	4	89.6	448
SSP13A	13	6	193	1,260
SSP16A	16	8	348	2,780
SSP20A	20	10	686	6,860
SSP25A	25	15	1,230	15,400



MOUNTING

Fit

A transition fit is used for the SSP/SSPM-type spline nut and its housing bore to minimize the clearance. If high accuracy is not required, then a clearance fit can be used.

In case of the SSPT/SSPF type spline nut, for a light load and little torque application, a hole slightly larger than the outer diameter of the nut can suffice.

Insertion of Spline Nut

When inserting a spline nut into the housing, use a jig like the one shown in Figure B-7. Carefully insert the nut so as not to hit the side ring and seal.

Table B-10 Recommended Jig Dimensions unit/mm

part number	D	d	part number	D	d
SSP 4	9.5	3.5	SSP 20	31.5	16.5
SSP 6	13.5	5	SSP 25	36.5	20.5
SSP 8	15.5	7	SSP 30	44.5	25
SSP 10	20.5	8.5	SSP 40	59.5	33
SSP 13A	23.5	12	SSP 50	74	41
SSP 16A	30.5	14.5	SSP 60	89	50
SSP 20A	34.5	18			
SSP 25A	41.5	22.5			
SSP 30A	46.5	27			
SSP 40A	63.5	35.6			
SSP 50A	79	44			
SSP 60A	89	53.5			
SSP 80	119	74			
SSP 80L					
SSP100	149	92			
SSP100L					

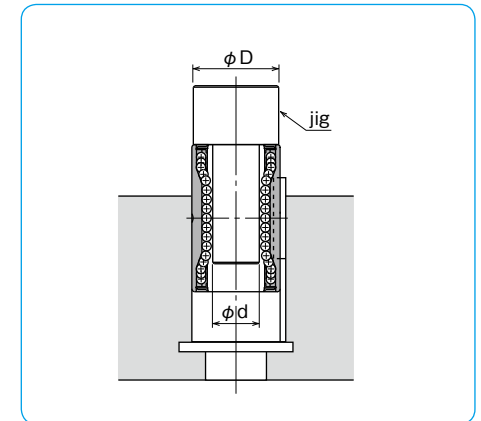
Insertion of Spline Shaft

When inserting the spline shaft into the spline nut, ensure that the ball elements do not drop out. This is done by aligning the raceway grooves of the shaft with the rows of ball elements and the seal-lip of the nut. Then carefully insert the spline shaft through the spline nut.

Table B-9 Fit for the Spline Nut

type of spline nut	clearance fit	transition fit
SSP	H7	J6
SSPM		

Figure B-7 Insertion of Spline Nut into Housing



Mounting of SSP Type

Examples of installing the SSP type are shown in Figures B-8 and B-9.

Figure B-8 Using a Retaining Ring

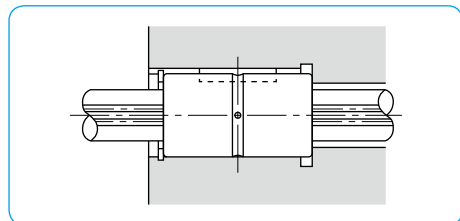
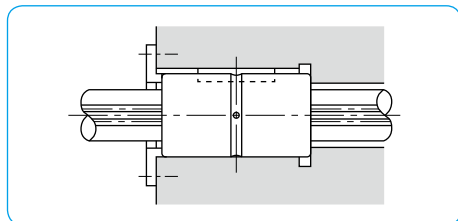


Figure B-9 Using a Push Plate



Key

The SSP type spline nut comes with a key shown in Figure B-10.

Figure B-10 Key for SSP Type

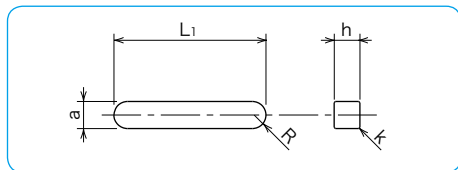


Table B-11 Major Dimensions of Key

part number	a		h		L ₁	R	k
	mm	tolerance μm	mm	tolerance μm			
SSP 4	2	+16 + 6	2	0 -25	6	1	0.2
SSP 6	2.5		2.5		10.5	1.25	
SSP 8	2.5		2.5		10.5	1.25	
SSP 10	3		3		13	1.5	
SSP 13A	3		3		15	1.5	
SSP 16A	3.5	+24 +12	3.5	0 -30	17.5	1.75	0.5
SSP 20A	4		4		29	2	
SSP 25A	4		4		36	2	
SSP 30A	4		4		42	2	
SSP 40A	6		6		52	3	
SSP 50A	8	+30/+15	7	0 -36	58	4	0.5
SSP 60A	12		8		67	6	0.8
SSP 80	16	+36 +18	10	-36	76	8	0.5
SSP 80L					110		
SSP100	20	+43 +22	13	0 -43	110	10	0.8
SSP100L					160		
SSP 20	4	+24	4	0	26	2	0.2
SSP 25	5	+12	5	-30	33	2.5	0.3
SSP 30	7	+30	7	0 -36	41	3.5	0.3
SSP 40	10	+15	8		55	5	0.5
SSP 50	15	+36	10	-36	60	7.5	0.5
SSP 60	18	+18	11	0/-43	68	9	0.5

Mounting of SSPM Type

Examples of installing the SSPM type are shown in Figures B-11 to B-14.

Figure B-11 Using F Type Lock Plates

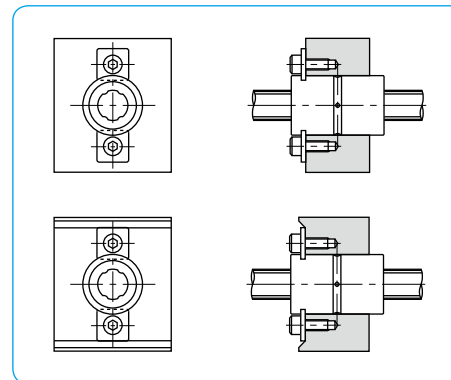


Figure B-12 Using LP Type Lock Plates

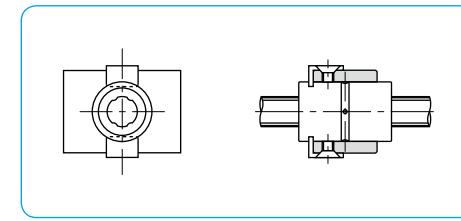


Figure B-14 Using Special Lock Plates (2)

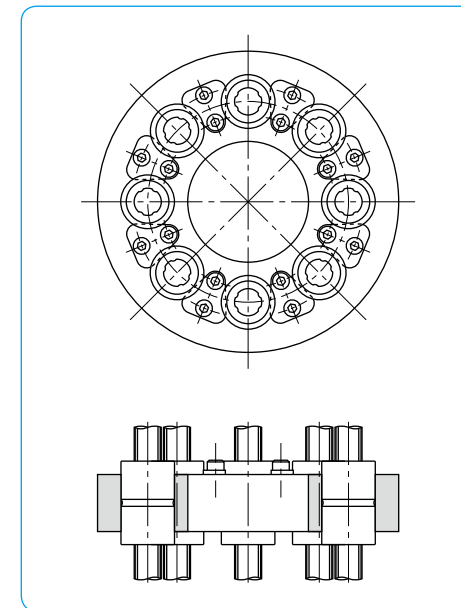
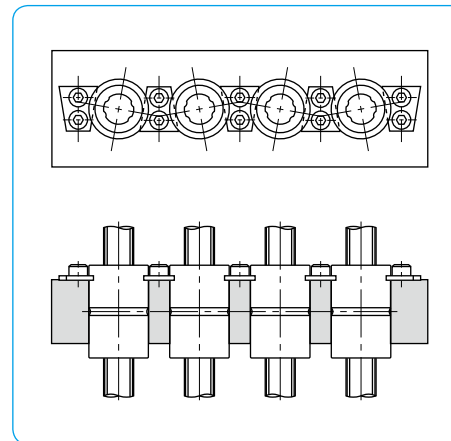


Figure B-13 Using Special Lock Plates (1)



F Type Lock Plate (Standard Plate)

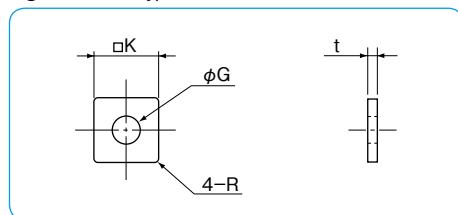
The lock plate shown in Figure B-15 is provided with the SSPM spline nut.

Material: SUS304CSP

Table B-12 F Type Lock Plate

part number	K mm	G mm	t mm	R mm	applicable spline nut
FP 6	6.8	2.9	1.0	0.5	SSPM 6
FP 8	8.5	3.5	1.2	0.5	SSPM 8
FP10	8.5	3.5	1.2	0.5	SSPM10

Figure B-15 F Type Lock Plate



LP Type Lock Plate (Optional Plate)

The LP type lock plate is also available for purchase with the SSPM spline nut.

Material: SUS304CSP

Figure B-16 LP Type Lock Plate

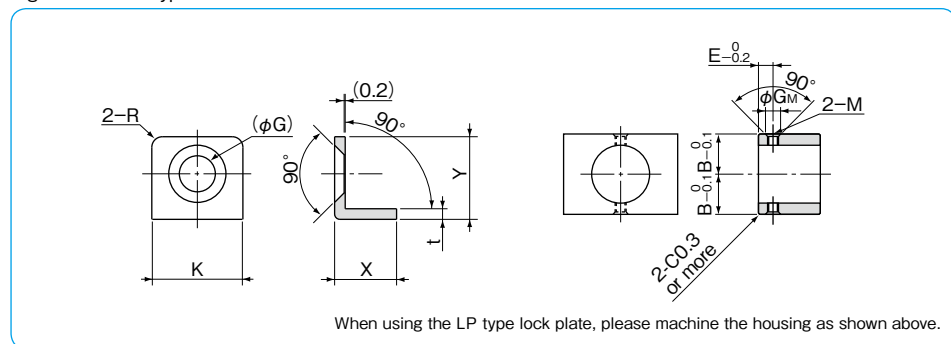


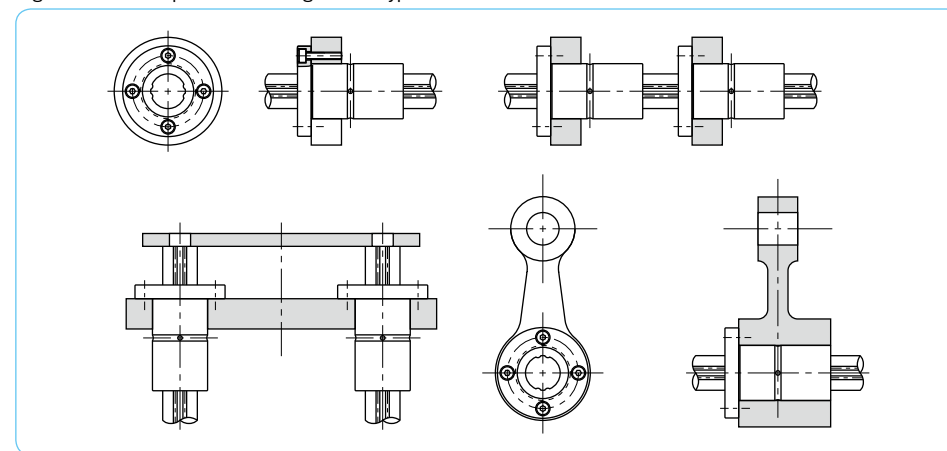
Table B-13 LP Type Lock Plate

part number	lock plate major dimensions						machined housing dimensions				applicable spline nut
	K mm	G mm	t mm	R mm	X mm	Y mm	B mm	E mm	GM mm	M	
LP 6	8.6	3.8	1.0	1	5.85	7.8	11.1	3.3	3.5	M2.5	SSPM 6
LP 8	9.15	4.5	1.2	1	6.45	9.2	12.3	4.0	4.2	M3	SSPM 8
LP10	9.15	4.5	1.2	1	6.45	9.2	14.8	4.0	4.2	M3	SSPM10

Mounting of SSPF Type

Examples of installing the SSPF type are shown in Figure B-17.

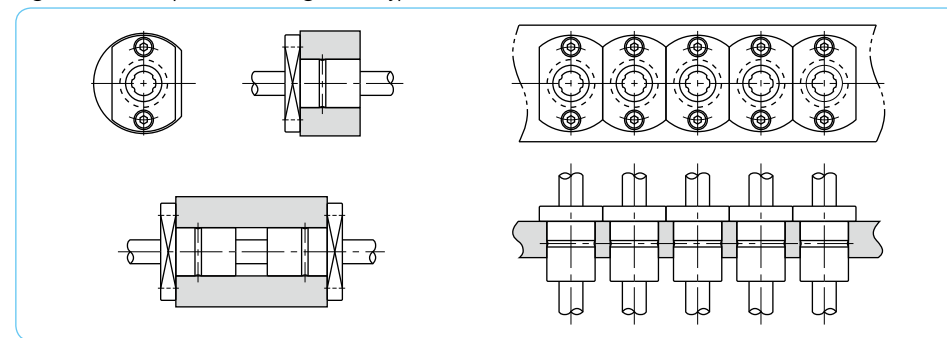
Figure B-17 Examples of installing SSPF Type



Mounting of SSPT Type

Examples of installing SSPT type are shown in Figure B-18.

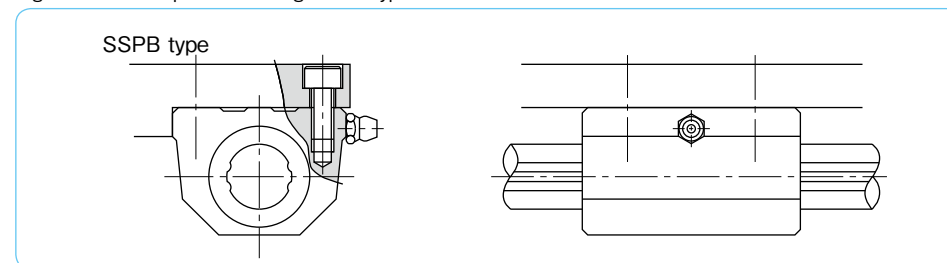
Figure B-18 Examples of installing SSPT Type



Mounting of SSPB Type

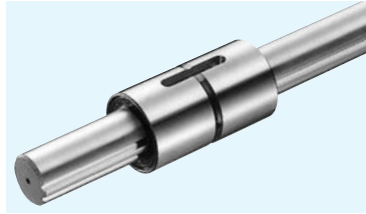
Example of installing SSPB type is shown in Figure B-19.

Figure B-19 Example of installing SSPB Type



SSP TYPE

- Cylindrical Spline Nut -



part number structure

example **SSP 80 L-2 T1-600-P/CU**

specification
SSP: standard
SSPS: anti-corrosion

nominal diameter

nut length
blank: standard
L: long

number of nuts attached to one shaft

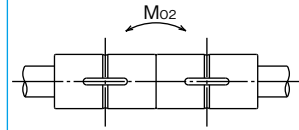
Note: retainer material is resin.

with special specification

accuracy grade
blank: high
P: precision

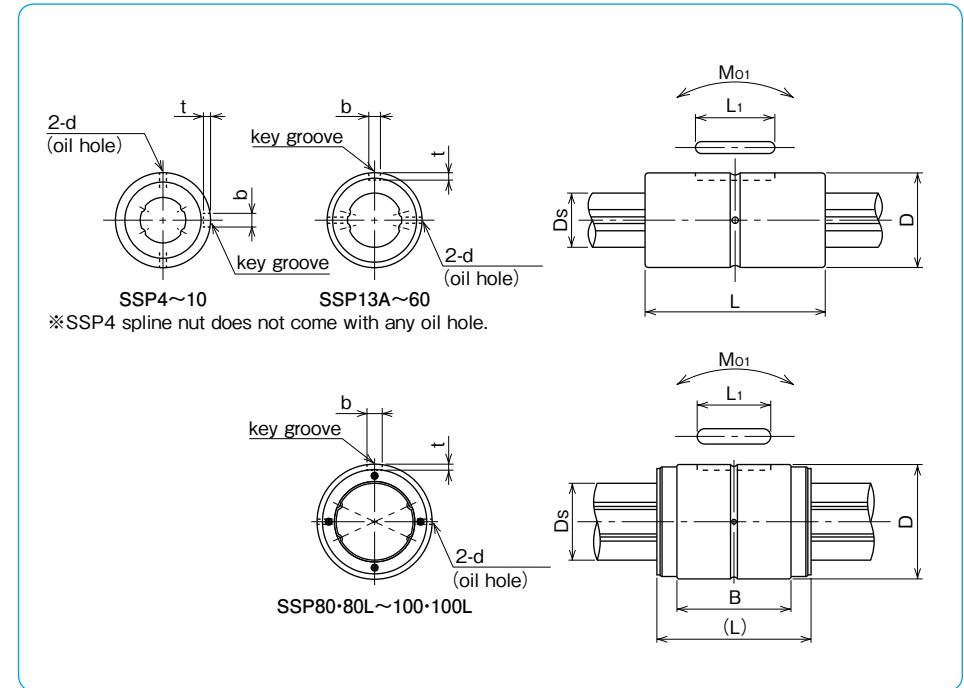
spline shaft total length

preload symbol
blank: standard
T1: light
T2: medium



When two spline nuts are used in close contact.

part number		major dimensions													
standard	anti-corrosion	D	L	B	b	t	L ₁	d	D _s	tolerance	tolerance	tolerance	tolerance		
mm	mm	mm	mm	mm	mm	mm	mm	mm	mm	μm	μm	μm	μm		
SSP 4	SSPS 4	10	16	0	-0.2	2	1.2	6	-	4	0				
SSP 6	SSPS 6	14	25			2.5	+14	1.2	10.5	1	6	-12			
SSP 8	SSPS 8	16	25			2.5	0	1.2	10.5	1.5	8	0			
SSP 10	SSPS10	21	33			3	0	1.5	13	1.5	10	-15			
SSP 13A	SSPS13A	24	36			3	0	1.5	15	1.5	13	0			
SSP 16A	SSPS16A	31	50			3.5	0	2	17.5	2	16	-18			
SSP 20A	SSPS20A	35	63			4	0	2.5	29	2	20	0			
SSP 25A	SSPS25A	42	71			4	0	2.5	36	3	25	-21			
SSP 30A	-	47	80			4	0	2.5	42	3	30	0			
SSP 40A	-	64	100			6	-0.3	3.5	52	4	40	0			
SSP 50A	-	80	125	8	-0.3	+22/0	4	58	4	50	-25				
SSP 60A	-	90	140	12	-0.3	0	5	67	4	60	0				
SSP 80	-	120	160	118.2	-0.2	+27	0	76	5	80	-30	0			
SSP 80L	-	120	217					110							
SSP 100	-	150	185	132.6	-0.2	+33	0	110	5	100	0	0			
SSP100L	-	150	248					160							
SSP 20	SSPS20	32	60	0	-0.2	4	+18	2.5	26	2	18.2	0	0		
SSP 25	SSPS25	37	70					5	0	3	33			3	23
SSP 30	-	45	80					7	+22	4	41			3	28
SSP 40	-	60	100					10	0	4.5	55			4	37.4
SSP 50	-	75	112					15	+27	5	60			4	47
SSP 60	-	90	127					18	0	6	68			4	56.5

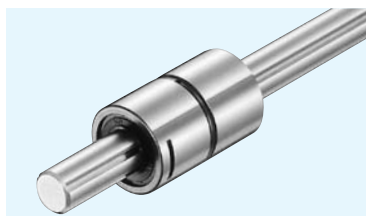


basic torque rating		basic load rating		allowable static moment		second cross-sectional	cross-sectional	mass		size
dynamic	static	dynamic	static	Mo ₁	Mo ₂	moment of inertia	coefficient	nut	shaft	
C _T	Co _T	C	Co	N·m	N·m	mm ⁴	mm ³	kg	kg/m	
N·m	N·m	kN	kN							
0.74	1.05	0.86	1.22	1.97	10.3	1.18×10 ³	5.90	0.0065	0.10	4
1.5	2.4	1.22	2.28	5.1	40	5.9 × 10 ³	1.97 × 10 ³	0.019	0.21	6
2.1	3.7	1.45	2.87	7.4	50	1.9 × 10 ²	4.76 × 10 ³	0.023	0.38	8
4.4	8.2	2.73	5.07	18.0	116	4.61 × 10 ²	9.22 × 10 ³	0.054	0.60	10
21	39.2	2.67	4.89	13.7	109	1.38 × 10 ³	2.13 × 10 ²	0.07	1.0	13A
60	110	6.12	11.2	46	299	2.98 × 10 ³	3.73 × 10 ²	0.15	1.5	16A
105	194	8.9	16.3	110	560	7.35 × 10 ³	7.34 × 10 ²	0.22	2.4	20A
189	346	12.8	23.4	171	1,029	1.79 × 10 ⁴	1.43 × 10 ³	0.33	3.7	25A
307	439	18.6	23.2	181	1,470	3.66 × 10 ⁴	2.44 × 10 ³	0.36	5.38	30A
674	934	30.8	37.5	358	2,940	1.15 × 10 ⁵	5.75 × 10 ³	0.95	9.55	40A
1,291	2,955	40.3	64.9	690	4,084	2.83 × 10 ⁵	1.13 × 10 ⁴	1.9	15.0	50A
1,577	2,629	47.7	79.5	881	5,473	5.91 × 10 ⁵	1.97 × 10 ⁴	2.3	21.6	60A
3,860	6,230	83.1	134	2,000	11,100	1.93 × 10 ⁶	4.83 × 10 ⁴	5.1	39	80
5,120	9,340	110	201	4,410	21,100			7.6		80L
6,750	11,570	135	199	3,360	19,300			9.7	61	100
8,960	17,300	179	298	7,340	37,700	4.69 × 10 ⁶	9.38 × 10 ⁴	13.9		100L
83	133	7.84	11.3	63	500	5.05 × 10 ³	5.54 × 10 ²	0.2	2.0	20
162	239	12.3	16.1	104	830	1.27 × 10 ⁴	1.11 × 10 ³	0.22	3.1	25
289	412	18.6	23.2	181	1,470	2.75 × 10 ⁴	1.96 × 10 ³	0.35	4.8	30
637	882	30.8	37.5	358	2,940	8.73 × 10 ⁴	4.67 × 10 ³	0.81	8.6	40
1,390	3,180	46.1	74.2	696	4,400	2.16 × 10 ⁵	9.21 × 10 ³	1.5	13.1	50
2,100	4,800	58.0	127	1,300	8,800	4.51 × 10 ⁵	1.60 × 10 ⁴	2.5	19	60

1kN=102kgf 1N·m=0.102kgf·m

SSPM TYPE

– Keyless Spline Nut –



part number structure

example **SSPM 10-2-T1-200-P/CU**

SSPM type

nominal diameter

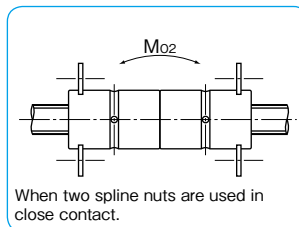
number of nuts attached to one shaft

spline shaft total length

with special specification

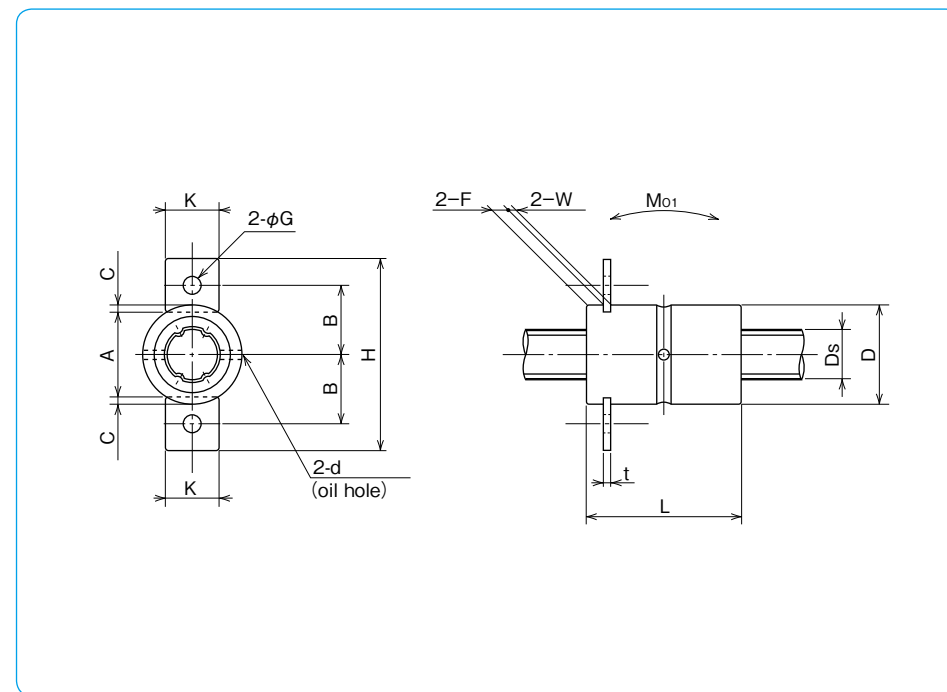
accuracy grade
blank: high
P: precision

preload symbol
blank: standard
T1: light



When two spline nuts are used in close contact.

part number	major dimensions												
	D mm	D tolerance μm	L mm	L tolerance mm	F mm	W mm	C mm	A mm	d mm	B mm	H mm	K mm	G mm
SSPM 6	14	0	25	0	2.2	1.1	1.0	12.0	1	9.4	25.6	6.8	2.9
SSPM 8	16	-11	25	-0.2	2.7	1.3	1.2	13.6	1.5	11	30.6	8.5	3.5
SSPM10	21	0/-13	33	-0.2	2.7	1.3	1.2	18.6	1.5	13.5	35.6	8.5	3.5

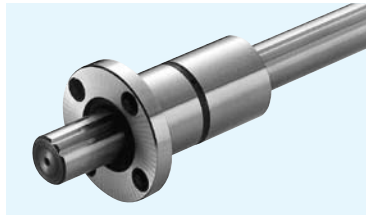


t mm	Ds mm	Ds tolerance μm	basic torque rating		basic load rating		allowable static moment		second cross-sectional moment of inertia mm ⁴	cross-sectional coefficient mm ³	mass		size
			dynamic C _τ N·m	static C _{0τ} N·m	dynamic C	static C ₀ kN	Mo ₁ N·m	Mo ₂ N·m			nut kg	shaft kg/m	
1.0	6	0/-12	1.5	2.4	1.22	2.28	5.1	40	5.9 × 10	1.97 × 10	0.019	0.21	6
1.2	8	0	2.1	3.7	1.45	2.87	7.4	50	1.9 × 10 ²	4.76 × 10	0.023	0.38	8
1.2	10	-15	4.4	8.2	2.73	5.07	18.0	116	4.61 × 10 ²	9.22 × 10	0.054	0.60	10

1kN≒102kgf 1N·m≒0.102kgf·m

SSPF TYPE

— Flange Type Nut —



part number structure

example **SSPF 25-2-T1-436-P/CU**

specification
SSPF: standard
SSPFS: anti-corrosion

nominal diameter

number of nuts attached to one shaft

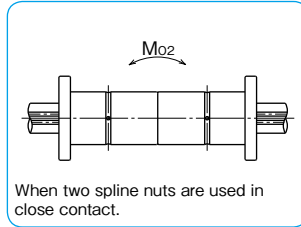
Note: retainer material is resin.

spline shaft total length

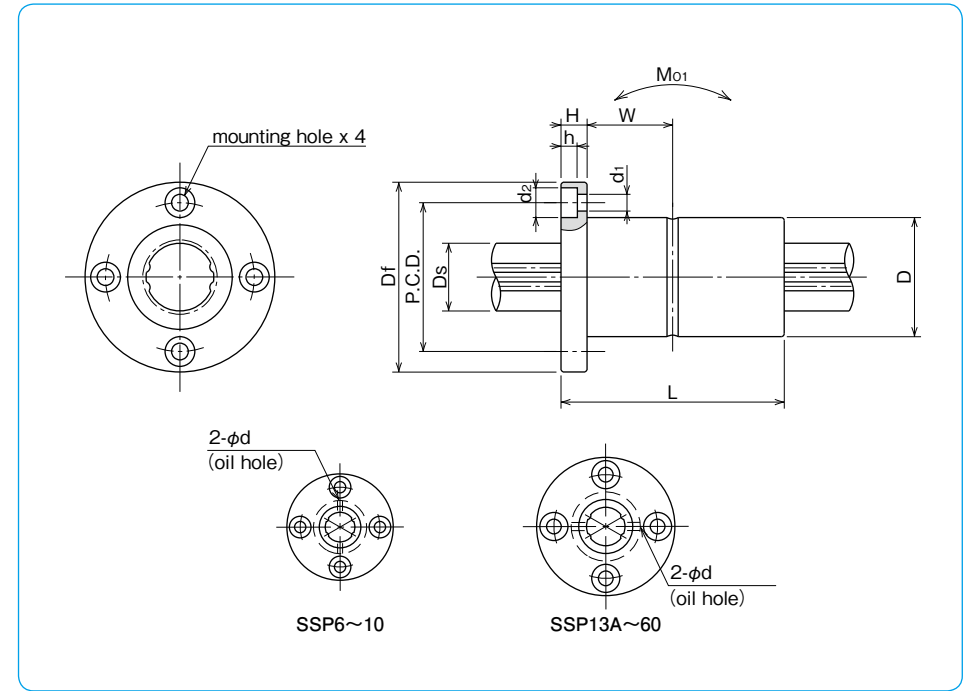
with special specification

accuracy grade
blank: high
P: precision

preload symbol
blank: standard
T1: light
T2: medium



When two spline nuts are used in close contact.



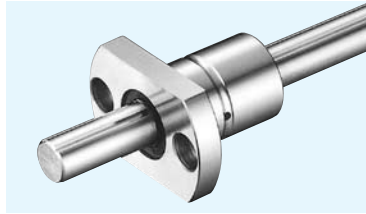
part number		major dimensions									
standard	anti-corrosion	D	L	Df	H	P.C.D.	d ₁ × d ₂ × h	W	d		
		mm	mm	mm	mm	mm	mm	mm	mm	mm	mm
SSPF 6	SSPFS 6	14	25	30	5	22	3.4×6.5×3.3	7.5	1		
SSPF 8	SSPFS 8	16	25	32	5	24	3.4×6.5×3.3	7.5	1.5		
SSPF10	SSPFS10	21	33	42	6	32	4.5×8×4.4	10.5	1.5		
SSPF13A	SSPFS13A	24	36	43	7	33	4.5×8×4.4	11	1.5		
SSPF16A	SSPFS16A	31	50	50	7	40	4.5×8×4.4	18	2		
SSPF20A	SSPFS20A	35	63	58	9	45	5.5×9.5×5.4	22.5	2		
SSPF25A	SSPFS25A	42	71	65	9	52	5.5×9.5×5.4	26.5	3		
SSPF30A	—	47	80	75	10	60	6.6×11×6.5	30	3		
SSPF40A	—	64	100	100	14	82	9×14×8.6	36	4		
SSPF50A	—	80	125	124	16	102	11×17.5×11	46.5	4		
SSPF60A	—	90	140	129	18	107	11×17.5×11	52	4		
SSPF20	SSPFS20	32	60	51	7	40	4.5×8×4.4	23	2		
SSPF25	SSPFS25	37	70	60	9	47	5.5×9.5×5.4	26	3		
SSPF30	—	45	80	70	10	54	6.6×11×6.5	30	3		
SSPF40	—	60	100	90	14	72	9×14×8.6	36	4		
SSPF50	—	75	112	113	16	91	11×17.5×11	40	4		
SSPF60	—	90	127	129	18	107	11×17.5×11	45.5	4		

Ds	tolerance	basic torque rating		basic load rating		allowable static moment		second cross-sectional moment of inertia	cross-sectional coefficient	mass		size
		dynamic	static	dynamic	static	Mo ₁	Mo ₂			nut	shaft	
mm	μm	C _T	Co _T	C	Co	N·m	N·m	mm ⁴	mm ³	kg	kg/m	
6	0/-12	1.5	2.4	1.22	2.28	5.1	40	5.9 × 10 ⁴	1.97 × 10 ³	0.037	0.21	6
8	0	2.1	3.7	1.45	2.87	7.4	50	1.9 × 10 ²	4.76 × 10 ³	0.042	0.38	8
10	-15	4.4	8.2	2.73	5.07	18.0	116	4.61 × 10 ²	9.22 × 10 ³	0.094	0.6	10
13	0	21	39.2	2.67	4.89	13.7	109	1.38 × 10 ³	2.13 × 10 ²	0.1	1	13A
16	-18	60	110	6.12	11.2	46	299	2.98 × 10 ³	3.73 × 10 ²	0.2	1.5	16A
20	0	105	194	8.9	16.3	110	560	7.35 × 10 ³	7.34 × 10 ²	0.33	2.4	20A
25	0	189	346	12.8	23.4	171	1,029	1.79 × 10 ⁴	1.43 × 10 ³	0.45	3.7	25A
30	-21	307	439	18.6	23.2	181	1,470	3.66 × 10 ⁴	2.44 × 10 ³	0.55	5.38	30A
40	0	647	934	30.8	37.5	358	2,940	1.15 × 10 ⁵	5.75 × 10 ³	1.41	9.55	40A
50	-25	1,291	2,955	40.3	64.9	690	4,084	2.83 × 10 ⁵	1.13 × 10 ⁴	2.73	15.0	50A
60	0/-30	1,577	2,629	47.7	79.5	881	5,473	5.91 × 10 ⁵	1.97 × 10 ⁴	3.2	21.6	60A
18.2	0	83	133	7.84	11.3	63	500	5.05 × 10 ³	5.54 × 10 ²	0.22	2	20
23	-21	162	239	12.3	16.1	104	830	1.27 × 10 ⁴	1.11 × 10 ³	0.32	3.1	25
28	0	289	412	18.6	23.2	181	1,470	2.75 × 10 ⁴	1.96 × 10 ³	0.51	4.8	30
37.4	0	637	882	30.8	37.5	358	2,940	8.73 × 10 ⁴	4.67 × 10 ³	1.15	8.6	40
47	-25	1,390	3,180	46.1	74.2	696	4,400	2.16 × 10 ⁵	9.21 × 10 ³	2.1	13.1	50
56.5	0/-30	2,100	4,800	58.0	127	1,300	8,800	4.51 × 10 ⁵	1.60 × 10 ⁴	3.3	19	60

1kN≒102kgf 1N·m≒0.102kgf·m

SSPT TYPE

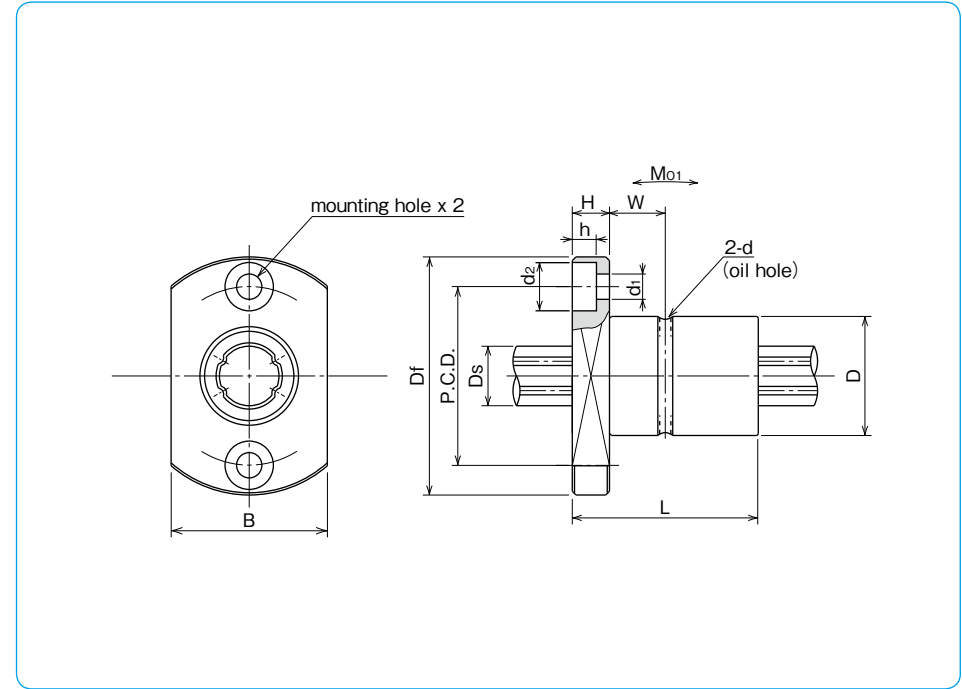
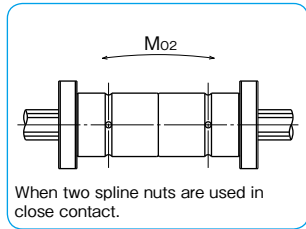
– Two Side Cut Flange Type –



part number structure

example **SSPT 10-2-T1-436-P/CU**

- SSPT type
- nominal diameter
- number of nuts attached to one shaft
- spline shaft total length
- preload symbol
blank: standard
T1: light
- accuracy grade
blank: high
P: precision
- with special specification



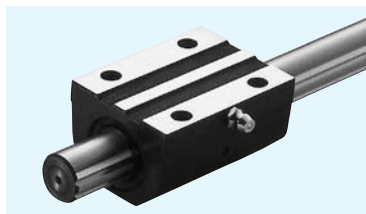
part number	D		L		major dimensions				d ₁ × d ₂ × h	W	d
	mm	tolerance μm	mm	tolerance mm	Df	B	H	P.C.D.			
SSPT 6	14	0	25	0	30	18	5	22	3.4 × 6.5 × 3.3	7.5	1
SSPT 8	16	-11	25	-0.2	32	21	5	24	3.4 × 6.5 × 3.3	7.5	1.5
SSPT 10	21	0/-13	33	-0.2	42	25	6	32	4.5 × 8 × 4.4	10.5	1.5

mm	D _s tolerance μm	basic torque rating		basic load rating		allowable static moment		second cross-sectional moment of inertia mm ⁴	cross-sectional coefficient mm ³	mass		size
		dynamic C _T N·m	static C _{0T} N·m	dynamic C kN	static C ₀ kN	M _{O1} N·m	M _{O2} N·m			nut kg	shaft kg/m	
6	0/-12	1.5	2.4	1.22	2.28	5.1	40	5.9 × 10	1.97 × 10	0.029	0.21	6
8	0	2.1	3.7	1.45	2.87	7.4	50	1.9 × 10 ²	4.76 × 10	0.035	0.38	8
10	-15	4.4	8.2	2.73	5.07	18.0	116	4.61 × 10 ²	9.22 × 10	0.075	0.6	10

1kN≒102kgf 1N·m≒0.102kgf·m

SSPB Type

– Block Type –



part number structure

example **SSPB 25 - 2 - T1 - 436 - P / CU**

SSPB type

nominal diameter

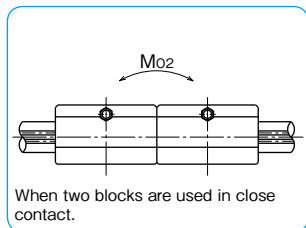
number of blocks attached to one shaft

with special specification

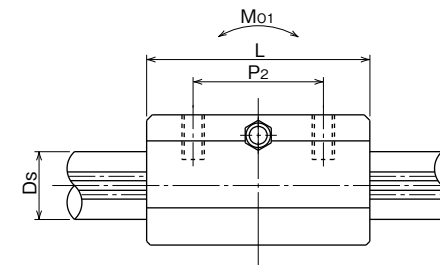
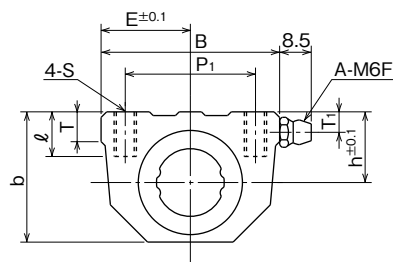
accuracy grade
blank: high
P: precision

spline shaft total length

preload symbol
blank: standard
T1: light
T2: medium



When two blocks are used in close contact.

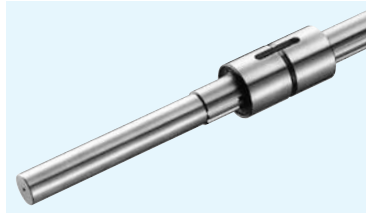


part number	major dimensions										
	h	B	L	E	b	T	P ₁	P ₂	S	l	T ₁
	mm	mm	mm	mm	mm	mm	mm	mm		mm	mm
SSPB20	19	48	60	24	35	8	35	35	M6	12	5.5
SSPB25	22	60	70	30	41.5	10	40	40	M8	12	6
SSPB30	26	70	80	35	50	12	50	50	M8	12	7
SSPB40	32	86	100	43	63	15	60	60	M10	15	8

D _s	tolerance	basic torque rating		basic load rating		allowable static moment		second cross-sectional moment of inertia	cross-sectional coefficient	mass		size
		dynamic C _T	static C _{0T}	dynamic C	static C ₀	M _{O1}	M _{O2}			block	shaft	
mm	μm	N·m	N·m	kN	kN	N·m	N·m	mm ⁴	mm ³	kg	kg/m	
18.2	0 -21	83	133	7.84	11.3	63	500	5.05 × 10 ³	5.54 × 10 ²	0.55	2.0	20
23		162	239	12.3	16.1	104	830	1.27 × 10 ⁴	1.11 × 10 ³	0.9	3.1	25
28		289	412	18.6	23.2	181	1,470	2.75 × 10 ⁴	1.96 × 10 ³	1.4	4.8	30
37.4		637	882	30.8	37.5	358	2,940	8.73 × 10 ⁴	4.67 × 10 ³	2.5	8.6	40

1kN≒102kgf 1N·m≒0.102kgf·m

STANDARD BALL SPLINE



part number structure

example **SSP 10 S-2-T1-400**

nut shape
SSP: cylindrical type
SSPM: keyless type
SSPF: flange type
SSPT: two side cut flange type
SSPB: block type

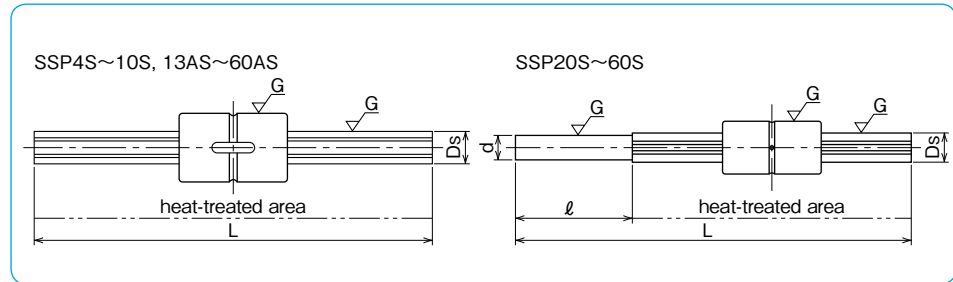
nominal diameter

number of nuts attached to one shaft

standard spline shaft

standard length L

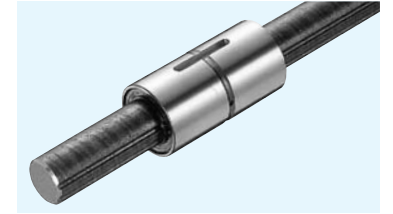
preload symbol
blank: standard
T1: light
T2: medium



nominal diameter	Ds		d		major dimensions					applicable nut					
	mm	tolerance μm	mm	tolerance μm	mm	standard length L mm				SSP	SSPM	SSPF	SSPT	SSPB	
4	4	0	—	—	—	100	150	200	300	—	○	○	○	○	○
6	6	-12	—	—	—	150	200	300	400	—	○	○	○	○	○
8	8	0	—	—	—	150	200	300	400	500	○	○	○	○	○
10	10	-15	—	—	—	200	300	400	500	600	○	○	○	○	○
13A	13	0	—	—	—	200	300	400	500	600	○	○	○	○	○
16A	16	-18	—	—	—	200	300	400	500	600	○	○	○	○	○
20A	20	0	—	—	—	300	400	500	800	1,000	○	○	○	○	○
25A	25	-21	—	—	—	300	400	500	800	1,000	○	○	○	○	○
30A	30	0	—	—	—	500	1,000	1,500	2,000	—	○	○	○	○	○
40A	40	0	—	—	—	500	1,000	1,500	2,000	—	○	○	○	○	○
50A	50	-25	—	—	—	500	1,000	1,500	2,000	—	○	○	○	○	○
60A	60	0/-30	—	—	—	500	1,000	1,500	2,000	—	○	○	○	○	○
20	18.2	0	15	0/-18	150	350	450	550	650	—	○	○	○	○	○
25	23	-21	20	0	150	350	450	550	650	850	○	○	○	○	○
30	28	0	25	-21	150	450	550	650	750	1,150	○	○	○	○	○
40	37.4	0	30	0	150	550	750	950	1,150	—	○	○	○	○	○
50	47	-25	40	0	150	650	850	1,150	1,350	—	○	○	○	○	○
60	56.5	0/-30	45	-25	150	650	850	1,150	1,350	—	○	○	○	○	○

• Tolerance of length L for nominal diameter sizes 4 to 10, 13A to 60A: JIS B0405 coarse grade. ○ yes — none
 • Please refer to dimension tables for nut shape and dimensions.

COMMERCIAL BALL SPLINE



part number structure

example **SSPF 25 C-2-436/CU**

nut shape
SSP: cylindrical type
SSPF: flange type
SSPB: block type

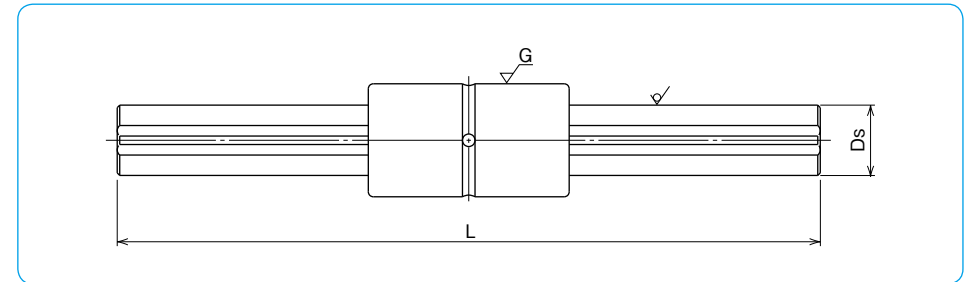
nominal diameter

commercial spline shaft

number of nuts attached to one shaft

spline shaft total length

with special specification



nominal diameter	Ds		major dimensions					applicable nut			
	mm	mm	standard length L mm					SSP	SSPF	SSPB	
20	18.2	—	500	1,000	2,000	3,000	4,000	5,000	○	○	○
25	23	—	500	1,000	2,000	3,000	4,000	5,000	○	○	○
30	28	—	500	1,000	2,000	3,000	4,000	5,000	○	○	○
40	37.4	—	500	1,000	2,000	3,000	4,000	5,000	○	○	○
50	47	—	500	1,000	2,000	3,000	4,000	5,000	○	○	○

• Tolerance of total length and length of splined portion
 total length up to 4,000: JIS B0405 coarse grade
 total length greater than 4,000: ±5.0mm
 Please specify tolerances when required.
 • Please refer to dimension tables for nut shape and dimensions.
 • When a commercial shaft is used, the load rating of the nut is approximately 70% of indicated rating in the dimension tables.

ROTARY BALL SPLINE

The NB rotary ball spline can be used for both rotational motion and linear motion. The applications include SCARA robots, the vertical shaft of assembly equipment, tool changers, and loaders, etc.

STRUCTURE AND ADVANTAGES

The NB rotary ball spline nut consists of a spline nut and a rotating portion using cross rollers.

Reduced Number of Parts

Because of the single-body construction consisting of the rotating element and the spline element, the number of parts is reduced so that the accumulated errors are also reduced.

Compact and Light

The cross rollers are directly attached to the ball spline's outer cylinder, resulting in a compact and light design.

Substantial Reduction in Installation Cost

The use of cross rollers keeps the housing thickness to a minimum, making the ball spline light and easy to install.

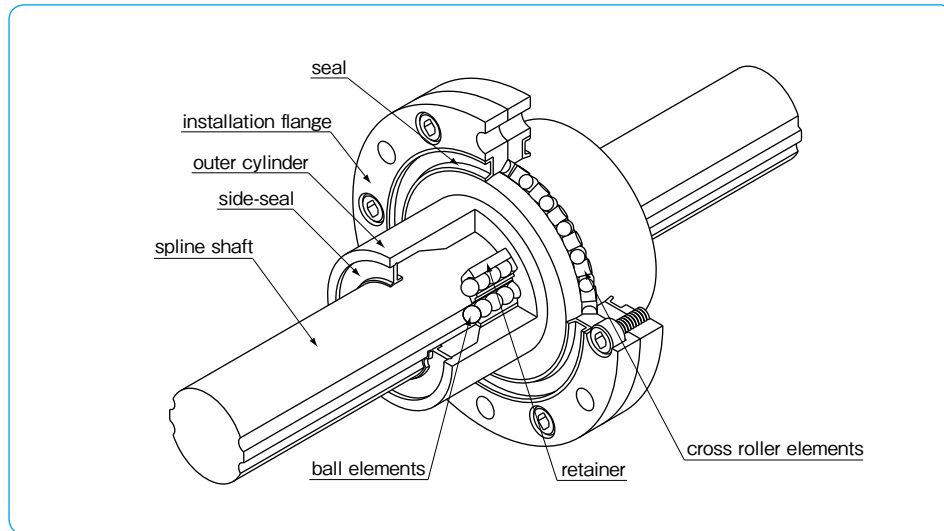
High Rigidity

The use of cross rollers and 4-row ball circuits structure provide high rigidity in spite of the compact design.

High Accuracy

The cross rollers ensure accurate positioning in the rotational direction.

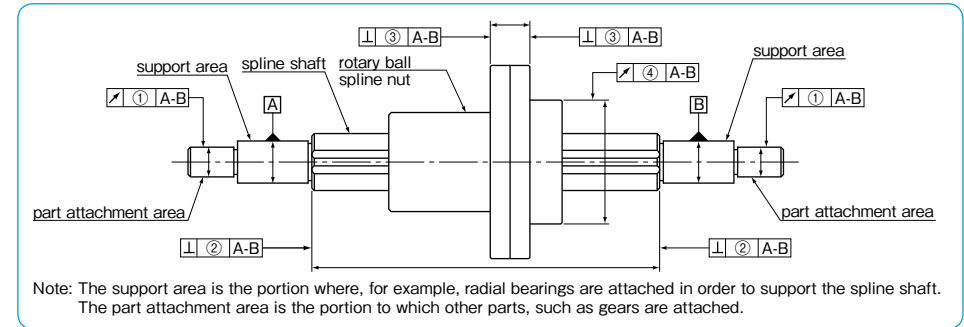
Figure B-20 Structure of NB Rotary Ball Spline



ACCURACY

The accuracy of the NB rotary ball spline is measured at the points shown in Figure B-21.

Figure B-21 Accuracy Measurement Points



Tolerance of Spline Shaft Groove Torsion (Max.)

The groove torsion is indicated per 100mm, arbitrarily set as the effective length of the spline section. When the spline length is under 100mm or exceeds 100mm, the value shown in Table B-14 decreases or increases proportionally to the spline length.

Table B-14 Tolerance of Spline Shaft Groove Torsion (Max.)

tolerance
13 μm/100mm

Table B-15 Tolerance Relative to Spline Support Area (Max.)

part number	unit/μm		
	①radial runout of part attachment area	②perpendicularity of the end of the spline shaft section	③perpendicularity of the flange
SPR 6	14	9	14
SPR 8			
SPR10			
SPR13	17	11	18
SPR16			
SPR20A			
SPR25A	22	13	21
SPR30A			
SPR40A			
SPR50A	25	16	25
SPR60A			
SPR20			
SPR25			
SPR30			
SPR40	22	13	21
SPR50			
SPR60			
SPR20	19	11	18
SPR25			
SPR30			
SPR40	25	16	25
SPR50			
SPR60			
SPR20	19	19	29
SPR25			
SPR30			

Table B-16 ④Radial Runout of Outer Surface of Rotary Spline Nut Relative to Spline Support Area (Max.) unit/μm

spline shaft total length (mm) greater than or less	part number							
	SPR 6, 8	SPR 10	SPR 13, 16	SPR 20A, 20, 25A, 25, 30A, 30	SPR 40A, 40, 50A, 50	SPR 60A, 60	SPR 60A, 60	SPR 60A, 60
—	200	46	36	34	32	32	30	30
200	315	89	54	45	39	36	34	34
315	400	126	68	53	44	39	36	36
400	500	163*	82	62	50	43	38	38
500	630	—	102	75	57	47	41	41
630	800	—	—	92	68	54	45	45
800	1,000	—	—	115	83	63	51	51
1,000	1,250	—	—	153	102	76	59	59
1,250	1,600	—	—	195*	130	93	70	70
1,600	2,000	—	—	—	171	118	86	86

*Please contact NB for spline shafts exceeding 2000mm. * SPR6 shaft Max. length: 400mm SPR13, SPR16 Max.length: 1500mm

PRELOAD AND CLEARANCE

The amount of clearance and preload for the spline portion and the cross roller portion are expressed in terms of the clearance in the rotational direction and the clearance in the radial direction, respectively. Three levels of preload are available: standard, light (T1), and medium (T2).

Table B-17 Preload and Clearance in Rotational and Radial Direction unit / μm

	part number	standard	light (T1)	medium (T2)
linear motion	SPR 6	-2~+1	- 6~-2	-
	SPR 8			
	SPR10			
	SPR13	-3~+1	- 8~-3	-13~- 8
	SPR16			
	SPR20A	-4~+2	-12~-4	-20~-12
	SPR25A			
	SPR30A			
	SPR40A	-6~+3	-18~-6	-30~-18
	SPR50A			
SPR60A				
rotational motion	SPR 6	-1~+3		
	SPR60			
	SPR20			
	SPR25			
	SPR30			
	SPR40			
	SPR50			
SPR60				

Table B-18 Operating Conditions and Preload

preload	symbol	operating conditions
standard	blank	minute vibration is applied. a precise motion is required. moment is applied in a given direction.
light	T1	light vibration is applied. light torsional load is applied. cyclic torque is applied.
medium	T2	shock/vibration is applied. over-hang load is applied. torsional load is applied.

SPECIAL REQUIREMENTS

NB provides customization such as shaft-end machining, spline nut machining, and surface treatment per customer requests. Table B-19 shows a list of recommended inner diameters for hollow spline shaft. Please contact NB for the inner diameter of SPR20~SPR60.

Figure B-22 Examples of Shaft-end Machining

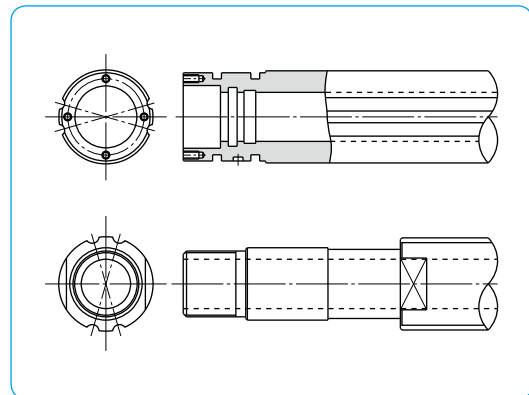
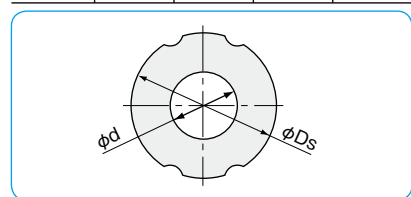


Table B-19 Recommended Inner Diameter for Hollow Spline Shaft

part number	outer diameter Ds mm	inner diameter d mm	cross-sectional coefficient Z mm	second moment of inertia I mm ⁴
SPR 6	6	2	19.4	58
SPR 8	8	3	46.5	186
SPR10	10	4	89.6	448
SPR13	13	6	193	1,260
SPR16	16	8	348	2,780
SPR20A	20	10	686	6,860
SPR25A	25	15	1,230	15,400



MOUNTING

The flange attachment screws have been pre-adjusted for smooth rotary movement and should never be loosened. Shock loading to the flange assembly should be avoided as this can degrade the accuracy of movement and deteriorate the overall performance.

Mounting of Rotary Ball Spline

When the flange is to be used with a faucet joint (as shown in Figure B-23) the housing bore should be machined to a tolerance of H7 and to a minimum depth of 60% of the flange thickness. If only a light load is applied to the SPR in operation, the flange can be used without a pilot end. Please fix the mounting screws diagonally in steps with progressively applying more torque at each step. Please use a torque wrench for a uniform torque. The recommended torque values for medium-hardness steel screws are listed in Table B-20.

Insertion of Spline Shaft

When inserting the spline shaft into the rotary ball spline nut, ensure that the ball elements do not drop out. This is done by aligning the raceway grooves of the shaft with the rows of ball elements and the seal -lip of the nut. Then carefully insert the spline shaft through the spline nut.

LUBRICATION

Since NB rotary ball spline nuts are equipped with seals at both the spline portion and the rotational portion, the lubricant is retained for an extended period of time. The spline nut is prelubricated with lithium soap based grease prior to shipment for immediate use. Please relubricate with a similar type of grease periodically depending on the operating conditions.

Low dust generation grease is available from NB standard grease. (refer to page Eng-39) However, an oil lubricant is recommended for high-speed applications. A grease fitting is optional (Figure B-24), please contact NB for details.

Figure B-23 Flange Mounting Method

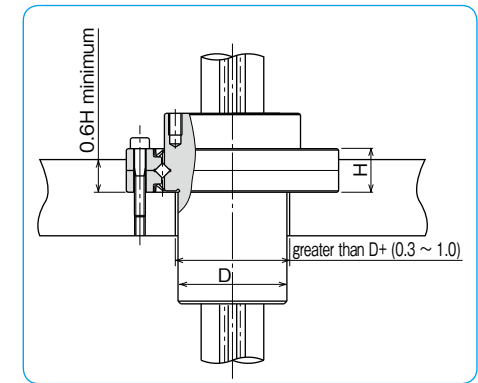
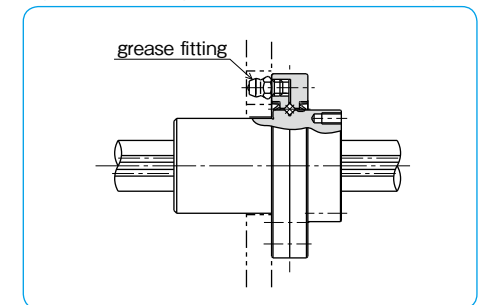


Table B-20 Recommended Torque unit / N·m

mounting screw	M2	M2.5	M3	M4	M6	M8
recommended torque	0.4	0.9	1.4	3.2	11.2	27.6

(for alloy steel screw)

Figure B-24 Example of Installed Grease Fitting



OPERATING CONDITIONS

The performance of the rotary ball spline is affected by the operating conditions of the application. The operating conditions should therefore be carefully taken into consideration.

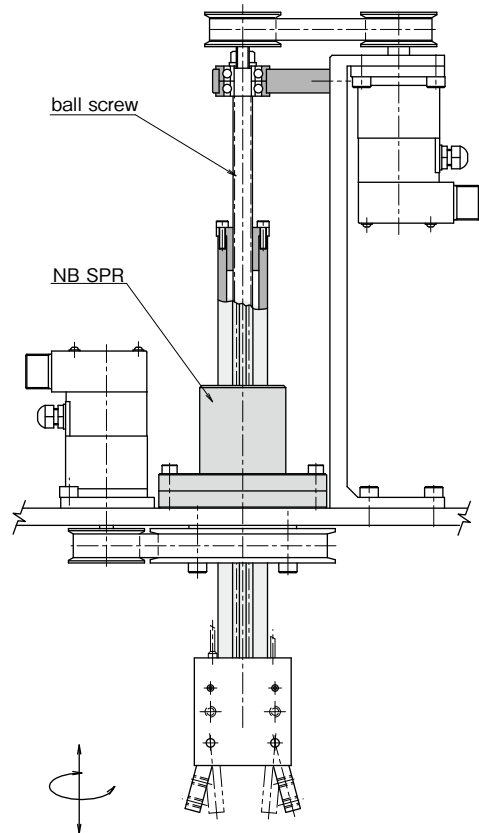
Operating Temperature

Resin retainers are used in the rotary ball spline, so the operating temperature should never exceed 80°C.

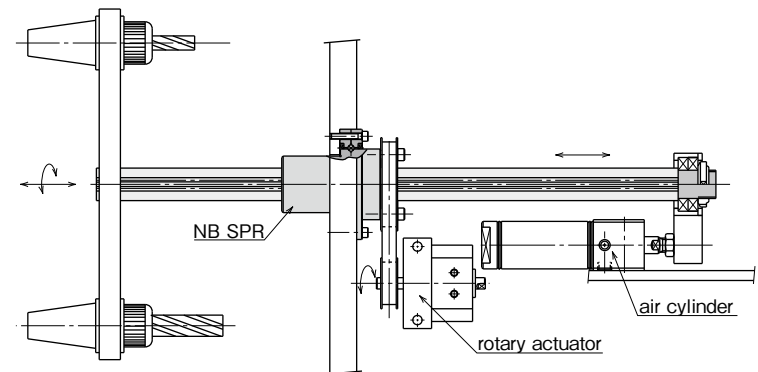
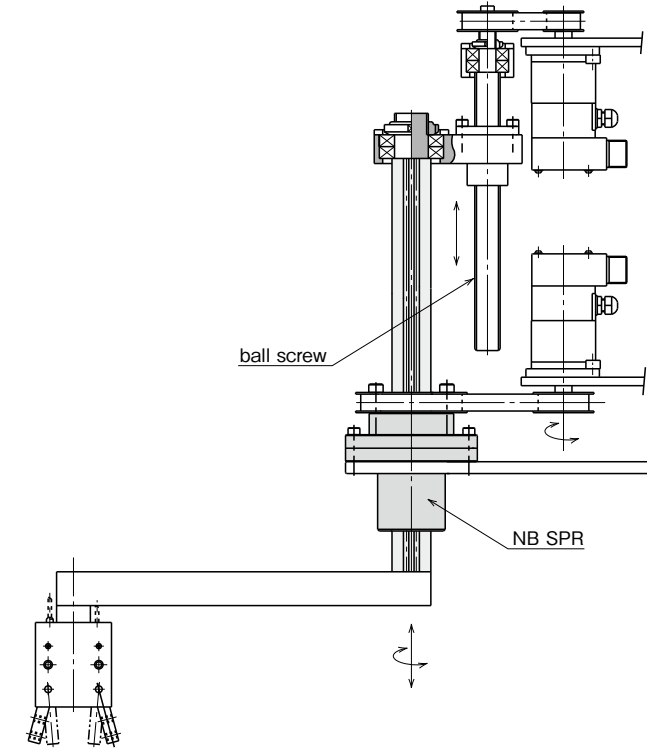
Dust Prevention

Foreign particles or dust in the rotary ball spline nut affects the motion accuracy and shortens the life time. Standard seals will perform well for dust prevention under normal operating conditions, however, in a harsh environment it is necessary to attach bellows or protective covers.

APPLICATION EXAMPLES

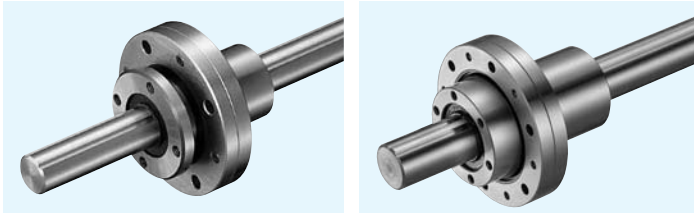


B-30

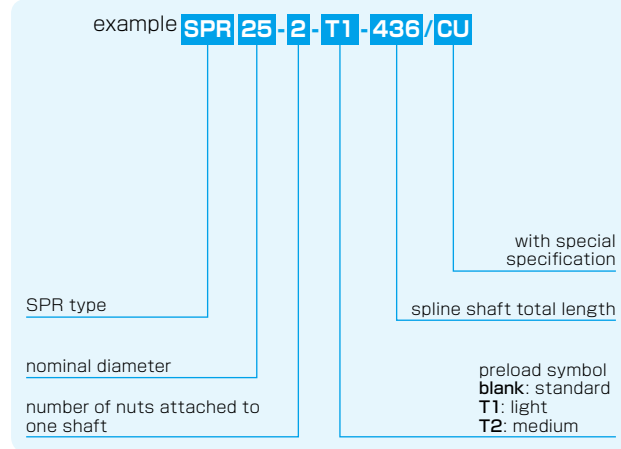


B-31

SPR TYPE

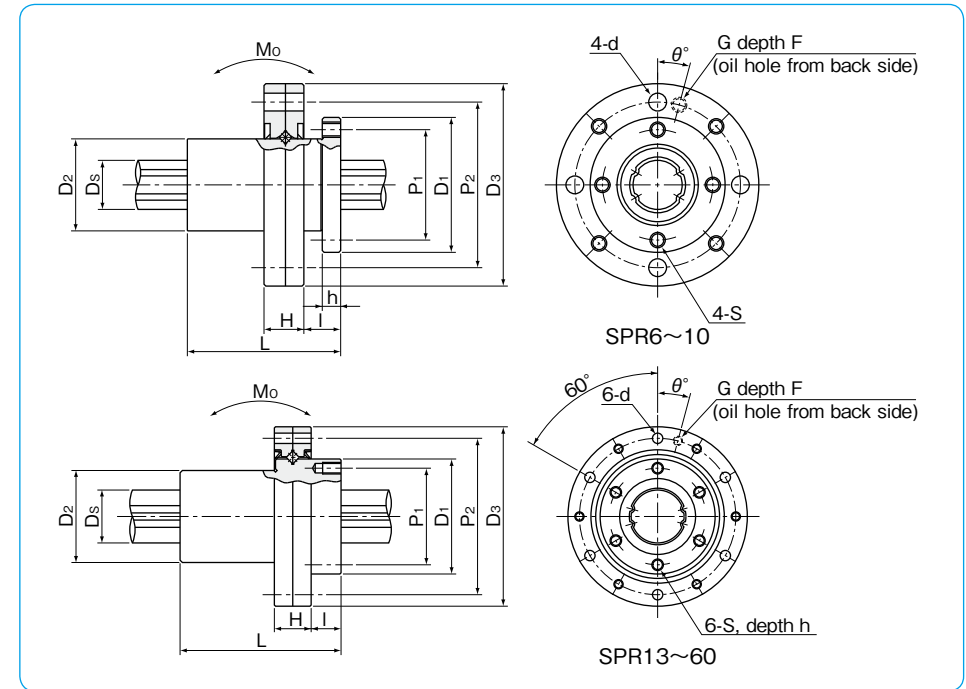


part number structure



part number	major dimensions					major dimensions of cross roller bearing										
	D ₁ tolerance	D ₂	L	P ₁ P.C.D.	S	h	I	H	D ₃ tolerance	P ₂ P.C.D.	d	G	F	θ		
	mm	mm	mm	mm	mm	mm	mm	mm	mm	mm	mm	mm	mm	mm	°	
SPR 6	20		13	25	16	M2	2.5	5	6.5	30	0/-21	24	2.4	M3	2.6	20°
SPR 8	22	0	15	25	18	M2.5	3	6	6.5	33	0	27	2.9	M3	2.6	20°
SPR10	27	-21	19	33	22	M3	4	8	7	40	-25	33	3.4	M3	2.8	20°
SPR13	29		24	36	24	M3	5	8	9	50		42	3.4	M3	3.6	15°
SPR16	36	0	31	50	30	M4	6	10	11	60	0	50	4.5	M3	4.4	15°
SPR20A	44	-25	35	63	38	M4	7	12	13	72	-30	62	4.5	M6×0.75	5.2	15°
SPR25A	55		42	71	47	M5	8	13	16	82		72	4.5	M6×0.75	6.4	15°
SPR30A	61	0	47	80	52	M6	10	17	17	100	0	86	6.6	M6×0.75	6.8	15°
SPR40A	76	-30	64	100	66	M6	10	23	20	120	-35	104	9	M6×0.75	8	15°
SPR50A	92	0	80	125	80	M8	13	24	22	134	0	118	9	M6×0.75	8.8	15°
SPR60A	107	-35	90	140	95	M8	13	25	25	155	-40	137	9	M6×0.75	10	15°
SPR20	40	0	34	60	34	M4	7	12	13	66	0	56	4.5	M6×0.75	5.2	15°
SPR25	50	-25	40	70	42	M5	8	13	16	78	-30	68	4.5	M6×0.75	6.4	15°
SPR30	61	0	47	80	52	M6	10	17	17	100	0	86	6.6	M6×0.75	6.8	15°
SPR40	76	-30	62	100	64	M6	10	23	20	120	-35	104	9	M6×0.75	8	15°
SPR50	88	0	75	112	77	M8	13	24	22	130	0	114	9	M6×0.75	8.8	15°
SPR60	102	-35	90	127	90	M8	13	25	25	150	-40	132	9	M6×0.75	10	15°

*Please contact NB for the grease fitting and relubrication method.



spline shaft D _s tolerance	rotary ball spline				cross roller bearing		allowable static moment Mo N·m	second cross-sectional moment of inertia mm ⁴	cross-sectional coefficient	mass		%maximum revolutions	size	
	basic torque rating dynamic C _T N·m	basic torque rating static C _{0T} N·m	basic load rating dynamic C kN	basic load rating static C ₀ kN	dynamic C _R kN	static C _{0R} kN				nut kg	shaft kg/m			
mm	μm											rpm		
6	0/-12	1.5	2.4	1.22	2.28	0.6	0.5	5.1	5.9 × 10 ³	1.97 × 10 ³	0.04	0.21	2,940	6
8	0	2.1	3.7	1.45	2.87	1.2	1.10	7.4	1.9 × 10 ³	4.76 × 10 ³	0.05	0.38	2,580	8
10	-15	4.4	8.2	2.73	5.07	2.4	2.45	18.0	4.61 × 10 ³	9.22 × 10 ³	0.09	0.60	2,060	10
13	0	21	39.2	2.67	4.89	2.9	3.70	13.7	1.38 × 10 ³	2.13 × 10 ³	0.17	1.0	1,350	13
16	-18	60	110	6.12	11.2	5.6	6.70	46	2.98 × 10 ³	3.73 × 10 ³	0.33	1.5	1,080	16
20	0	105	194	8.9	16.3	6.55	8.79	63	7.35 × 10 ³	7.34 × 10 ³	0.57	2.4	890	20A
25	-21	189	346	12.8	23.4	9.63	12.7	171	1.79 × 10 ⁴	1.43 × 10 ³	0.81	3.7	700	25A
30	0	307	439	18.6	23.2	11.8	17.1	181	3.66 × 10 ³	2.44 × 10 ³	1.19	5.38	640	30A
40	0	674	934	30.8	37.5	23.0	32.3	358	1.15 × 10 ⁴	5.75 × 10 ³	2.25	9.55	510	40A
50	-25	1,291	2,955	40.3	64.9	27.8	44.0	690	2.83 × 10 ³	1.13 × 10 ⁴	3.57	15.0	430	50A
60	0/-30	1,577	2,629	47.7	79.5	29.0	48.8	881	5.91 × 10 ³	1.97 × 10 ⁴	5.03	21.6	370	60A
18.2	0	83	133	7.84	11.3	5.90	7.35	63	5.05 × 10 ³	5.54 × 10 ²	0.45	2.0	980	20
23	-21	162	239	12.3	16.1	9.11	11.5	104	1.27 × 10 ⁴	1.11 × 10 ³	0.75	3.1	770	25
28	0	289	412	18.6	23.2	11.8	17.1	181	2.75 × 10 ⁴	1.96 × 10 ³	1.25	4.8	640	30
37.4	0	637	882	30.8	37.5	22.8	32.3	358	8.73 × 10 ⁴	4.67 × 10 ³	2.30	8.6	510	40
47	-25	1,390	3,180	46.1	74.2	27.2	42.1	696	2.16 × 10 ³	9.21 × 10 ³	3.10	13.1	450	50
56.5	0/-30	2,100	4,800	58.0	127.4	26.5	42.6	1,300	4.51 × 10 ³	1.60 × 10 ⁴	4.70	19	400	60

*Maximum revolutions for grease lubrication.

Contact NB for further information in case oil lubrication is required.

1N = 102kgf 1N·m = 0.102kgf·m

STROKE BALL SPLINE

The NB stroke ball spine SPLFS type is a high accuracy linear motion bearing with a limited stroke, to which both radial load and torque can be applied at the same time. It operates with extremely small dynamic friction.

STRUCTURE AND ADVANTAGES

The NB stroke ball spline consists of a nut and a shaft both with raceway grooves. The flanged spline nut consists of an outer cylinder, a retainer, side-rings, and ball elements. Since the retainer in the nut is equipped with ball pockets, the ball elements do not contact each other, which allows for a smooth linear motion. The stroke is limited since the retainer is a non-circulating type. For normal operation, it is recommended to consider 80% of the maximum stroke shown in the dimension table as an actual stroke length.

Extremely Small Dynamic Friction and Low Noise

The rolling elements are separated by the ball pockets so that they do not contact each other. The stroke length is limited, but extremely small dynamic friction and low noise are realized because the rolling elements do not circulate.

Compact-Size

With the nut about 20% smaller than conventional ball splines, it contributes to space saving.

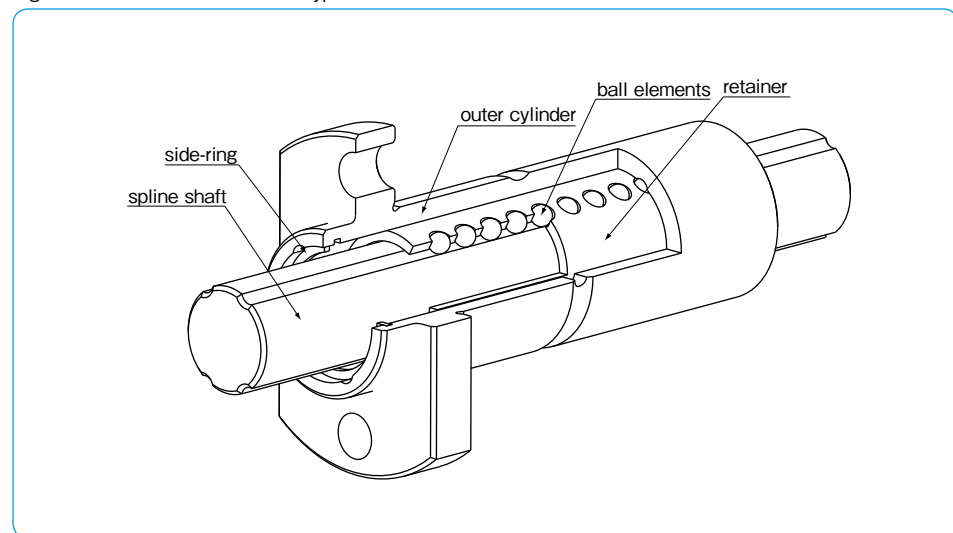
All Stainless Steel Type

Since all the components are made of stainless steel, this stroke ball spline has an excellent corrosion resistance and heat resistance (operating temperature: -20 to 140°C). It is ideal for clean room or vacuum applications.

Lubrication

A lubricant groove and two lubrication holes are provided on the outer surface of the nut, which allow for an easy designing of lubricant replenishment.

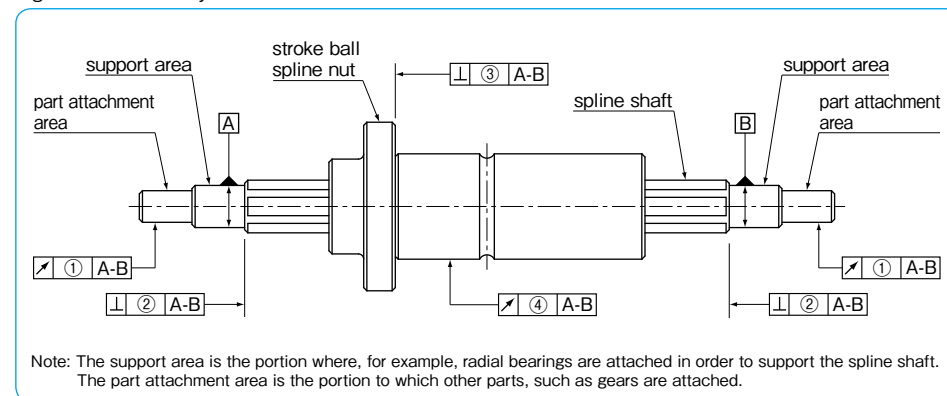
Figure B-25 Structure of SPLFS type



ACCURACY

The accuracy of the NB stroke ball spline is measured at the points shown in Figure B-26.

Figure B-26 Accuracy Measurement Points



Tolerance of Spline Shaft Groove Torsion (Max.)

The groove torsion is indicated per 100mm, arbitrarily set as the effective length of the spline section. When the spline length is under 100mm or exceeds 100mm, the value shown in Table B-21 decreases or increases proportionally to the spline length.

Table B-21 Tolerance of Spline Shaft Groove Torsion (Max.)

tolerance
13 μm/100mm

Table B-22 Tolerance Relative to Spline Support Area (Max.)

part number	unit/μm		
	① radial runout of part attachment area	② perpendicularity of the end of the spline shaft section	③ perpendicularity of the flange
SPLFS 6	14	9	11
SPLFS 8	14	9	11
SPLFS10	17	9	13
SPLFS13	19	11	13
SPLFS16	19	11	13

Table B-23 ④ Radial Runout of Outer Surface of Spline Nut Relative to Spline Support Area (Max.) unit/μm

spline shaft total length (mm)		part number		
greater than	or less	SPLFS6, 8	SPLFS10	SPLFS13, 16
—	200	46	36	34
200	315	89	54	45
315	400	126*	68	53
400	500	163*	82	62
500	630	—	102	75
630	800	—	—	92
800	1,000	—	—	115
1,000	1,250	—	—	153
1,250	1,500	—	—	195

* SPLFS6 maximum shaft length: 400 mm

PRELOAD AND CLEARANCE

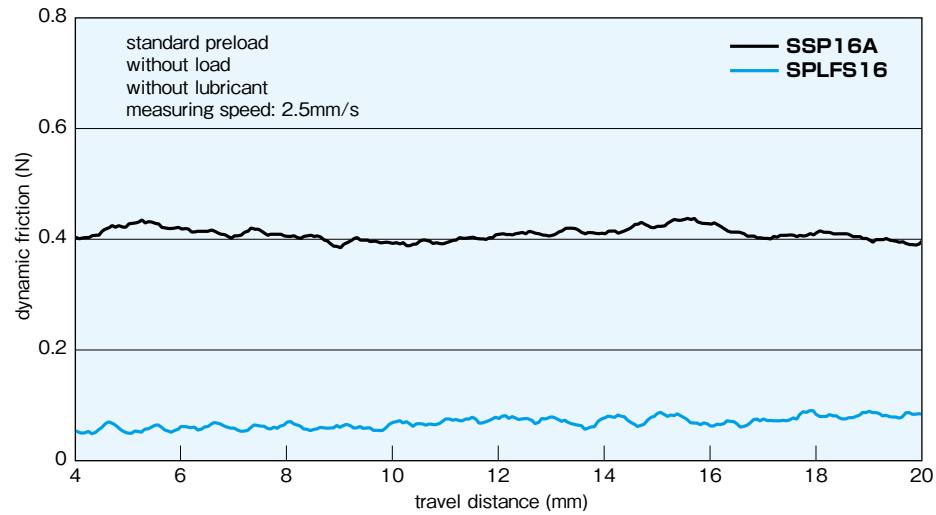
Preload and clearance are expressed in terms of clearance in the rotational direction. For the SPLFS type, only the standard preload is available as shown in Table B-24. Please contact NB if a special preload is required.

Table B-24 Preload and Clearance in Rotational Direction unit/ μm

part number	standard
SPLFS 6	-4~0
SPLFS 8	-4~0
SPLFS10	-4~0
SPLFS13	-4~0
SPLFS16	-4~0

COMPARISON OF DYNAMIC FRICTIONAL RESISTANCE

Figure B-27 Comparison of Dynamic Friction



NOTES ON USE

Dust Prevention

Since the stroke ball spline is designed and manufactured for operation with an extremely small dynamic frictional resistance, seals that increase frictional resistance are not equipped as a standard feature. Please contact NB for a special requirement of seals. For use under harsh conditions, the stroke ball spline should be protected using bellows and protective covers.

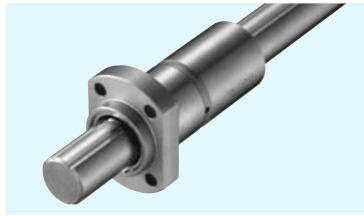
Retainer Slippage

If the stroke ball spline is used at a high speed or with a vertical shaft, or under an asymmetric load or oscillation, a retainer slippage may occur. For general operation, it is recommended to consider 80% of the maximum stroke length shown in the dimension table as a stroke length.

To prevent the retainer slippage, it is recommended to do a full-stroke movement of the nut whenever necessary in order for the retainer to be relocated to the center.

SPLFS TYPE

– Two Side Cut Flange Type –



part number structure

example **SPLFS 16 - 2 - 200 / CU**

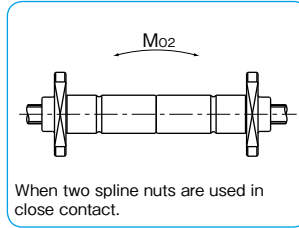
SPLFS type

nominal diameter

number of nuts attached to one shaft

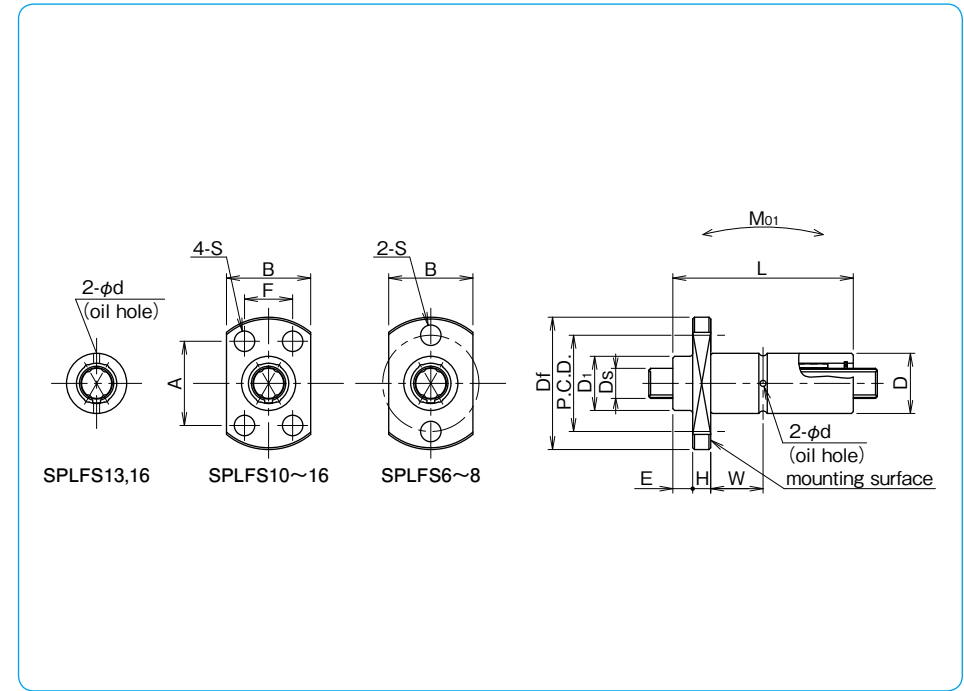
spline shaft total length

with special specification



When two spline nuts are used in close contact.

part number	maximum stroke	D		D ₁	L	major dimensions								
		tolerance				E	D _f	H	B	P.C.D.	A	F	S	
	mm	mm	μm	mm	mm	mm	mm	mm	mm	mm	mm	mm	mm	mm
SPLFS 6	22	11	0	10	40	3.3	23	4	14	17	—	—	3.4	
SPLFS 8	20	13	—8	12.5	40	3.3	25.5	4	16	19.5	—	—	3.4	
SPLFS 10	28	16	—8	15.5	50	3.3	28.5	5	20	—	18	13	3.4	
SPLFS 13	24	20	0	19.5	50	4.8	36	5	25	—	22	17	3.4	
SPLFS 16	26	24	-9	23.5	60	4.8	40	7	29	—	25	19	4.5	



W	d	Ds	basic torque rating		basic load rating		allowable static moment		second cross-sectional moment of inertia	cross-sectional coefficient	mass		size	
			dynamic	static	dynamic	static	M _{O1}	M _{O2}			nut	shaft		
mm	mm	mm	tolerance	C _T	C _{OT}	C	C _O	N·m	N·m	mm ⁴	mm ³	g	kg/m	
12.7	1.2	6	0/-12	2.3	3.8	1.8	3.0	11.2	45	5.9 × 10 ²	1.97 × 10	21.5	0.21	6
12.7	1.2	8	0	3.3	5.5	2.02	3.37	13.1	52	1.9 × 10 ²	4.76 × 10	27.0	0.38	8
16.7	1.5	10	-15	6.5	10.9	3.21	5.35	25.6	102	4.61 × 10 ²	9.22 × 10	47.7	0.6	10
15.2	1.5	13	0	27.6	50.7	4.15	7.6	38.8	155	1.38 × 10 ³	2.13 × 10 ²	75.3	1.0	13
18.2	2.0	16	-18	62.8	115	7.66	14	88.3	353	2.98 × 10 ³	3.73 × 10 ²	123.5	1.5	16

1kN=102kgf 1N·m=0.102kgf·m

SLIDE BUSH

SLIDE BUSH

The NB slide bush is a linear motion mechanism utilizing the rotational motion of ball elements. Since linear motion is obtained using a simple mechanism, the slide bush can be used in a wide variety of applications, including transportation equipment, food processing equipment, and semiconductor manufacturing equipment.

STRUCTURE AND ADVANTAGES

The outer cylinder of slide bush contains a ball retainer that is perfectly designed to control the circulation of ball elements, resulting in smooth linear motion.

Compact Mechanism

The NB slide bush uses a round shaft for the guiding axis, resulting in space-saving, which allows for compact designs.

A Wide Variety of Shapes and Installation Methods

The NB slide bush is available in various types, standard, clearance-adjustable, open, flange, etc., for a various applications.

Selection According to Environment

NB slide bushes are available in standard and anti-corrosion types. Available options include steel-retainer suitable for use in harsh environments and resin retainer for low acoustic, low-cost requirement. Other options can be specified according to the application requirements.

Compatibility

The NB slide bush is fully compatible with a variety of shaft types.

Low Friction

The raceway surface is precision ground. Since the

contact surface between the ball elements and the raceway surface is minimized, the NB slide bush provides low friction compared to other linear motion mechanisms.

GM Series

The GM slide bush makes efficient use of resin sub-parts making it possible to achieve an overall weight reduction of 30~50% compared with the SM slide bush. The ball return section is made of resin material, which serves for low noise operation. Also, cost-effectiveness expands the use of slide bush in many applications.

Block Type Series

Block type series is a unit of NB slide bush and a block type housing. A variety of block types are available such as precision-machined blocks, resin-made blocks, and cost-effective units, each contributes to higher accuracy, light-weight, and low-cost and design-time saving, respectively.

FIT Series

FIT series is a combination of NB slide bush and precision-machined shaft. The best-fit between slide bush and shaft achieves a smooth, high-accuracy performance meeting the customer requirements.

(see page F-16)

Figure C-1 Basic Structure of NB Slide Bush (SM, KB, SW)

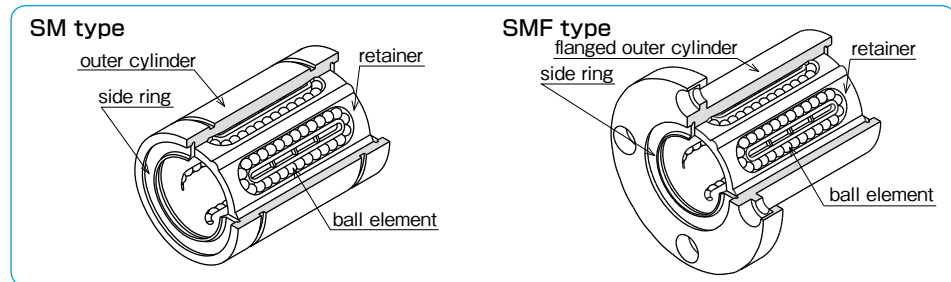
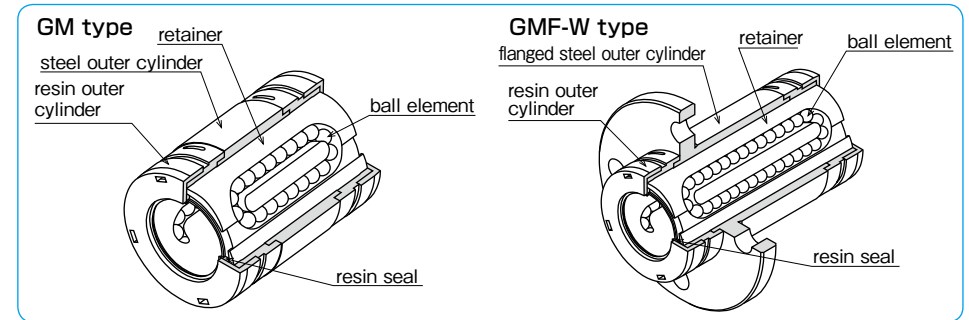


Figure C-2 Basic Structure of NB Slide Bush (GM)



TYPES

Table C-1 Type (1)

type	standard	anti-corrosion	page
standard type	SM	SMS	C- 14
	KB	KBS	C- 68
	SW	SWS	C- 90
clearance-adjustable (AJ) type	SM-AJ	SMS-AJ	C- 16
	KB-AJ	KBS-AJ	C- 70
	SW-AJ	SWS-AJ	C- 92
open (OP) type	SM-OP	SMS-OP	C- 18
	KB-OP	KBS-OP	C- 72
	SW-OP	SWS-OP	C- 94
long type	SM-G-L	—	C- 20
double-wide type	SM-W	SMS-W	C- 22
	KB-W	KBS-W	C- 74
	SW-W	SWS-W	C- 96

Table C-2 Type (2)

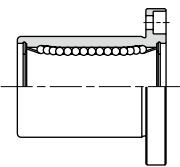
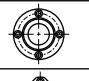
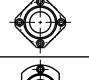
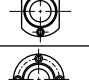
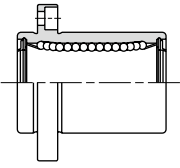
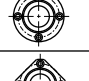
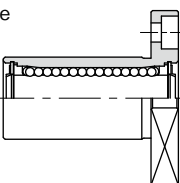
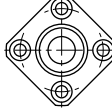
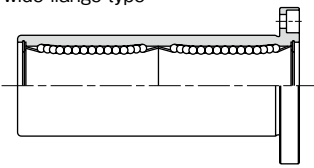
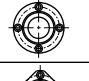
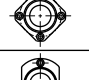
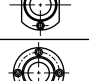
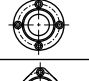
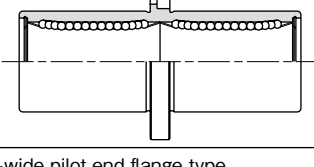
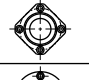
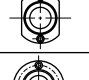
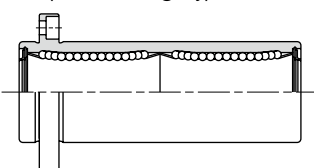
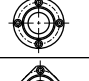
type		standard	anti-corrosion	page	
flange type 		SMF	SMSF	C- 24	
		KBF	KBSF	C- 76	
		SWF	SWSF	C- 98	
		SMK	SMSK	C- 26	
		KBK	KBSK	C- 78	
		SWK	SWSK	C-100	
		SMT	SMST	C- 28	
		KBT	KBST	C- 80	
		SWT	SWST	C-102	
flange type with pilot end 		SMF-E	SMSF-E	C- 30	
		SMK-E	SMSK-E	C- 32	
		SMT-E	SMST-E	C- 34	
long flange type 		SMK-G-L	-	C- 36	
double wide flange type 		SMF-W	SMSF-W	C- 38	
		KBF-W	KBSF-W	C- 82	
		SWF-W	SWSF-W	C-104	
		SMK-W	SMSK-W	C- 40	
		KBK-W	KBSK-W	C- 84	
		SWK-W	SWSK-W	C-106	
		SMT-W	SMST-W	C- 42	
			SMFC	SMSFC	C- 44
			KBFC	KBSFC	C- 86
SWFC	SWSFC		C-108		
center mount flange type 		SMKC	SMSKC	C- 46	
		KBKC	KBSKC	C- 88	
		SWKC	SWSKC	C-110	
	SMTC	SMSTC	C- 48		
	double-wide pilot end flange type 		SMF-W-E	SMSF-W-E	C- 50
			SMK-W-E	SMSK-W-E	C- 52
SMT-W-E			SMST-W-E	C- 54	

Table C-3 Type (3)

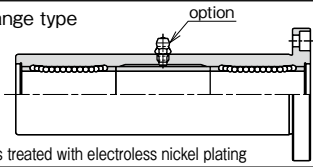
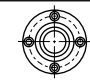
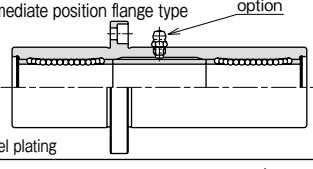
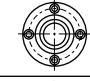
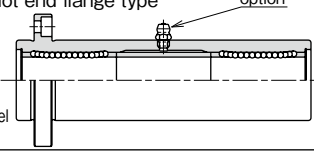
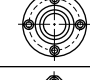
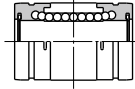
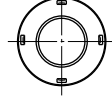
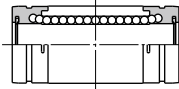
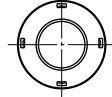
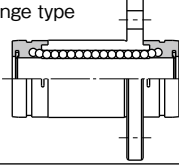
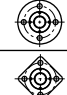
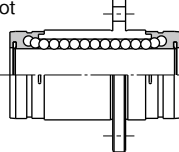
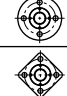
type		standard	anti-corrosion	page
triple wide flange type 		TRF	-	C- 56
		TRK	-	C- 58
※ Outer cylinder is treated with electroless nickel plating				
triple-wide intermediate position flange type 		TRFC	-	C- 60
		TRKC	-	C- 62
※ Outer cylinder is treated with electroless nickel plating				
triple-wide pilot end flange type 		TRF-E	-	C- 64
		TRK-E	-	C- 66
※ Outer cylinder is treated with electroless nickel plating				

Table C-4 Type (4) GM Series

type		standard	page
GM/GW single type 		GM	C- 112
		GW	C-126
GM double-wide type 		GM-W	C-113
GM double-wide flange type 		GMF-W	C-114
		GMK-W	C-116
		GMT-W	C-118
GM double-wide pilot end flange type 		GMF-W-E	C-120
		GMK-W-E	C-122
		GMT-W-E	C-124

BLOCK SERIES

SMA·AK·SMB·SWA Type

This type is the most commonly used standard type. The housing is made of aluminum alloy. The wide (W) type is also available for SMA and AK types.

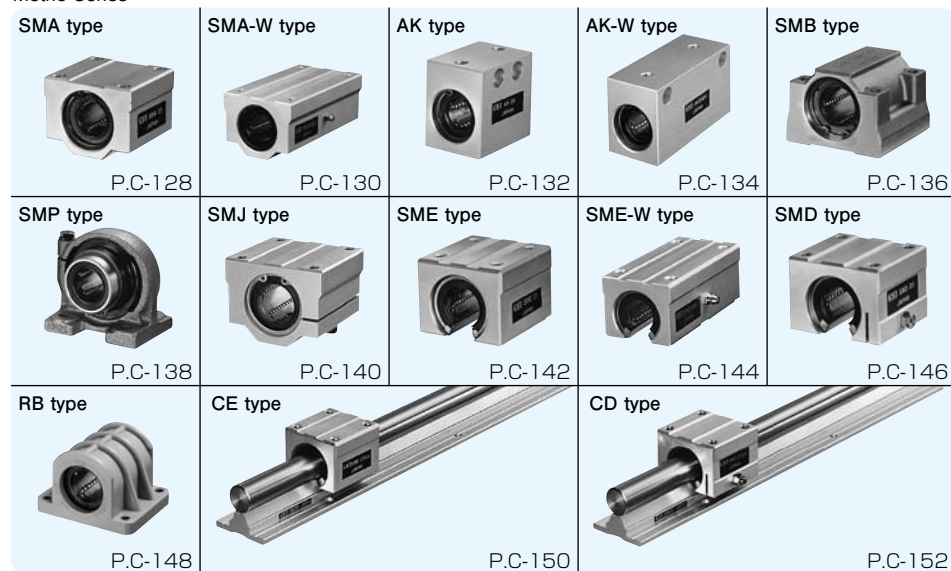
SMJ · SWJ Type

Clearance-adjustment is achieved by creating a slit on the SMA/SWA type housing. Less clearance between block and shaft results in higher positioning accuracy by tightening the adjustment screw.

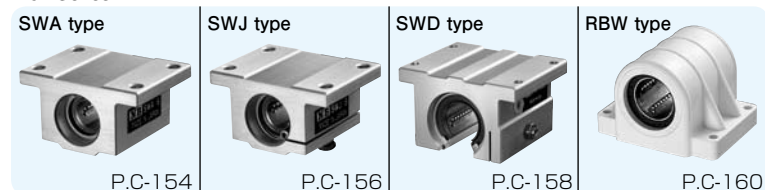
RB · RBW Type

The housing is made of ABS resin for light-weight and low-cost. Inside is a standard slide bush of a resin retainer type with seals.

Metric Series



Inch Series



SMP Type

The housing has a self-aligning feature. This feature will absorb inaccuracy of the installation base so that a smooth movement is expected.

SME·SMD·SWD Type

Open type housing allows a support from below so that a deflection of the shaft is minimized for high loading or long-stroke applications. The wide(W) type is also available for SME type.

CE·CD Type

This type is a unit of block(s), shaft, and support rail that contributes to a total cost reduction. The maximum length is 2,000mm for the support rail and for the shaft the maximum length is 4,500mm.

SPECIFICATIONS

Series

The NB slide bush is available in three primary dimensional series, each with different dimensions and tolerances depending on the location of use. Please select the series that is most appropriate for your location.

Allowable Load

NB slide bushes are categorized into three functional types depending on the number and location of retainers: single, double, and triple. Table C-6 shows load ratings and static moment in comparison. The single type uses only one retainer, so when a moment load is to be applied, the double or triple type is recommended.

Material

The outer cylinder of standard type is made of bearing steel and the outer cylinder of anti-corrosion type is made of Martensitic stainless steel. The retainer is available in steel (stainless steel for anti-corrosion), and resin for low acoustic operation. The steel retainer is made of one plate (seamless type).

Seal

The seals prevent dust from entering the slide bush in order to retain the motion accuracy, resulting in a long life time. The UU type is a standard option that has seals on both sides. The U type has a seal on one side only and is available for the standard, clearance adjustable, and open types. Nitril rubber, which has low wear and good sealing characteristics, is used as the seal material.

* Resin seals are used for GM series.

Table C-5 Series and Use Location

series	location			
	Japan	Asia	Europe	North America
metric	SM	◎	◎	○
	GM	○	○	○
	KB	○	○	◎
inch	SW	○	○	◎

◎ generally used ○ rarely used

Table C-6 Load Comparison

type	basic dynamic load rating	basic static load rating	allowable static moment
single	1	1	1
long	1.3	1.8	approx. 4
GM-W	1.6	2	approx. 4
SM double	1.6	2	approx. 6
triple	1.6	2	approx.21

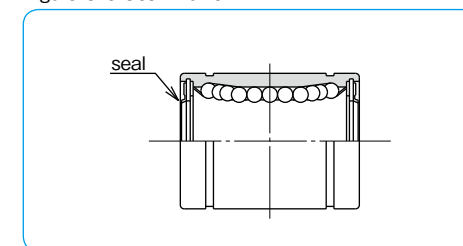
※ The single type is designated as "1" for comparison purposes.

Table C-7 Operating Environment Temperature

material	temperature range	
	outer cylinder	retainer
steel	steel	-20°C~110°C
	resin	-20°C~ 80°C
stainless	steel	-20°C~140°C*
	resin	-20°C~ 80°C

* If a seal is used in the stainless steel slide bush, the temperature is up to 120°C. Please contact NB if a temperature range exceeds 140°C.

Figure C-3 Seal Profile



LIFE CALCULATION

Since ball elements are used as the rolling element in the NB slide bush, the following equation is used to calculate the travel life.

$$L = \left(\frac{f_H \cdot f_T \cdot f_C}{f_W} \cdot \frac{C}{P} \right)^3 \cdot 50$$

L: rated life (km) f_H: hardness coefficient
 f_T: temperature coefficient f_C: contact coefficient
 f_W: applied load coefficient C: basic dynamic load rating (N)
 P: applied load (N)
 *Refer to page Eng-5 for the coefficients.

If the stroke distance and number of strokes per unit time are constant, the life time is calculated using the following equation.

$$L_h = \frac{L \cdot 10^3}{2 \cdot l_s \cdot n \cdot 60}$$

L_h: life time (hr) l_s: stroke length (m)
 L: rated life (km) n: number of cycles per minute (cpm)

LOAD RATING FOR OPEN TYPE SLIDE BUSH

For the open type slide bush an opening is provided to allow the shaft to be supported from underneath. In case a load is constantly applied in the direction of the opening (for example, being used with a vertical shaft or an overhang loading is applied), the load rating decreases due to less number of loaded rows of ball elements. (Table C-8) Therefore, the load rating must be calibrated at the time of design based on the direction of the loading.

Table C-8 Direction of Load and Basic Static Load Rating

part number	SM10G~16G-OP KB10G~16G-OP SW 8G~10G-OP SME (D) 10G~16G CE (D) 16	SM20 (G) -OP KB20 (G) -OP SW12 (G) -OP SME (D) 20 CE (D) 20	SM25 (G) ~100-OP KB25 (G) ~80-OP SW16 (G) ~64-OP SME (D) 25~30 CE (D) 25~30	SM120,150-OP
loading from above				
	C	C	C	C
loading from below				
	0.64C	0.54C	0.57C	0.35C

※ Excluding all the 3-row steel retainer types. Please contact NB in case of 3-row steel retainer.

MOUNTING

Examples of Mounting methods are shown in Figures C-4 ~7.

Figure C-4 Standard Type

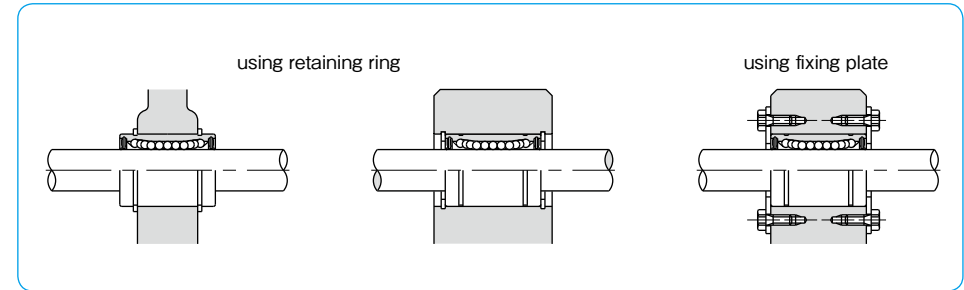


Figure C-5 Clearance Adjustable Type

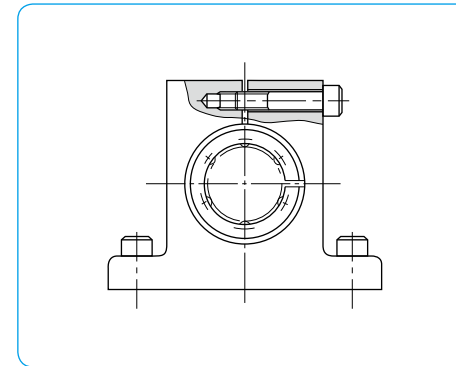


Figure C-6 Open Type

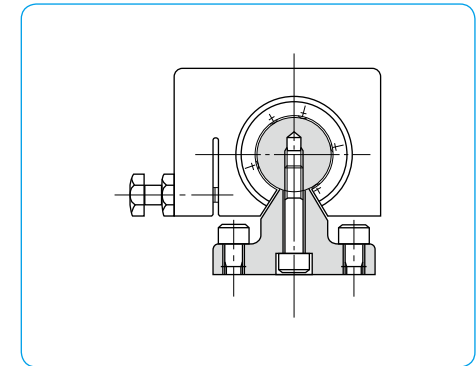
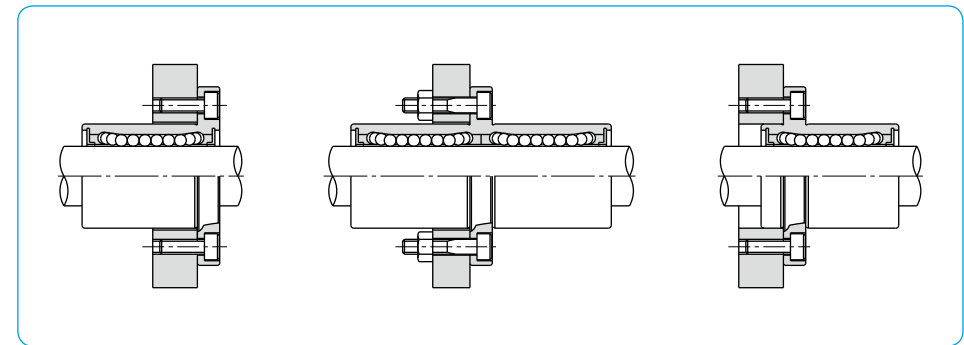


Figure C-7 Flange Type



Fit

The normal clearance fit listed in Table C-9 is generally selected as a shaft outer diameter tolerance for the NB slide bush. The transition fit is selected for a higher accuracy by reducing clearance between slide bush and shaft. Matching bush and shaft (FIT series) is also available for customer's specified clearance. Please be cautious not to apply excess preloading with clearance adjustable and open types. Please keep preloading within the maximum radial clearance listed in the dimension table. The flange-type bush is generally inserted into an installation bore, which is slightly larger than the outer cylinder. However, if the outer cylinder is used as the pilot, H7 tolerance is recommended for housing.

The recommended clearances for the flange type are listed in Table C-10.

Table C-9 Recommended Fit

series	accuracy grade	shaft		housing	
		clearance fit	transition fit	clearance fit	transition fit
SM	high	g6	h6	H7	J7
	precision(P)	g5	h5	H6	J6
SM-G-L	high	g6	—	H7	—
SM-W	high	g6	—	H7	—
KB	high	h6	j6	H7	J7
KB-W	high	h6	—	H7	—
SW	high	g6	h6	H7	J7
	precision(P)	g5	h5	H6	J6
SW-W	high	g6	—	H7	—
GM	high	g6	h6	H7	—
GM-W	high	g6	—	H7	—

Table C-10 Recommended Fit (Flange Type)

series	shaft	
	clearance fit	transition fit
SMF	g6	h6
SMK-G-L	g6	—
SMF-W	g6	—
TRF	g6	—
KBF	h6	j6
KBF-W	h6	—
SWF	g6	h6
SWF-W	g6	—
GMF-W	g6	—

Notes on Installation

When inserting a slide bush into a housing, carefully insert it by using a jig to apply a uniform pushing force at the end of the outer cylinder, as illustrated in Figure C-8. Motion performance may be diminished if an excessive force is applied to the resin portion of the outer cylinder, the side-ring, or the seal.

Ensure that all burrs are removed from the shaft and carefully install the bush by aligning it with the center of the bore. Excessive force may drop out the ball elements during insertion.

When two or more shafts are used, the parallelism of the shafts will greatly affect the motion characteristics and life of the slide bush. Please check the parallelism by moving the slide bush back and forth the length of stroke to check for freedom of movement before final fixing of the shaft.

Please refer to page F-3 for shaft specifications.

GM Standard Type

Please avoid a tension load when retaining rings are used for installation.

Figure C-8 Insertion of Slide Bush

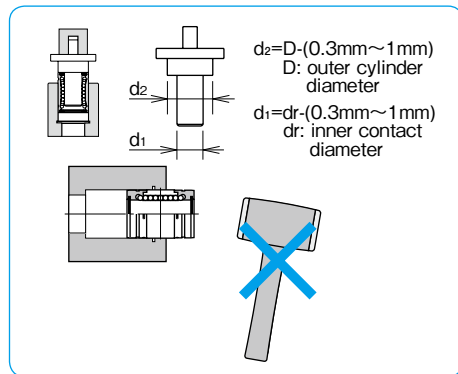
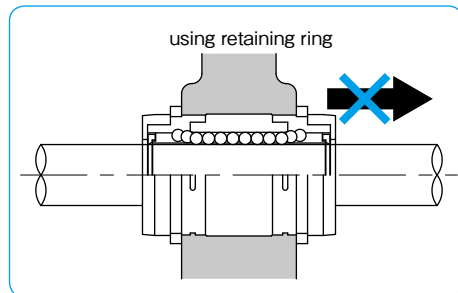


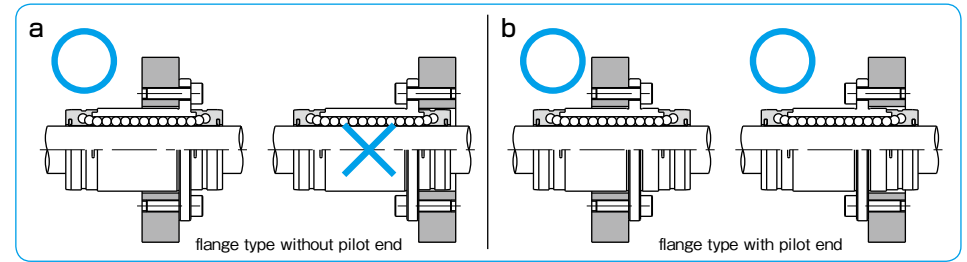
Figure C-9 Installation of GM Standard Type



GM Flange Type

The flange of GM type has a reference plane on one side only as Figure C-10a, please do not use the other side as a reference plane. In case of using the pilot-end flange type, as Figure C-10b shows, both sides can be used as a reference plane. H7 is recommended for the housing bore tolerance.

Figure C-10 Installation of GM Flange type



LUBRICATION

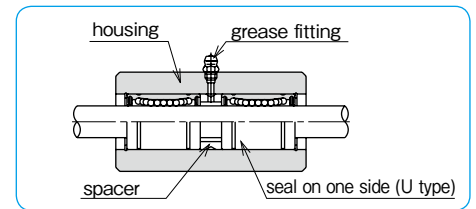
It is important to lubricate the slide bush for an accurate operation and for a long life. Anti-rust oil is applied to NB slide bush prior to shipment. The NB selected anti-rust oil has a little effect on the lubricant, however, please apply lubricant after cleaning the slide bush by, for example, kerosene, etc.

Grease Lubricant

Prior to usage, please apply grease, then re-lubricate periodically according to the operating conditions. (Lithium soap-based grease is recommended.) Re-lubrication can be done by directly applying grease inside the ball bush or by using a grease fitting as Figure C-11 shows.

A special low dust generating grease is optional for clean room application, please refer to page Eng-39.

Figure C-11 Grease Fitting

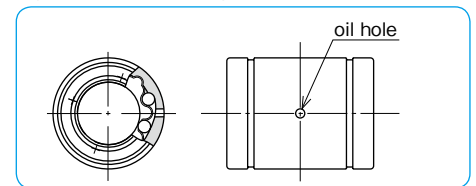


Oil Lubricant

Prior to usage, please apply oil directly to the shaft surface or by using an oil hole as Figure C-12 shows. Turbine oil (ISO standard VG32-68) is recommended.

Oil holes can be machined (see Figure C-12) in the center portion of the outer cylinder. Please contact NB for oil hole specification.

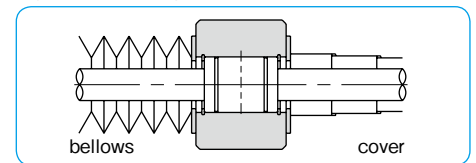
Figure C-12 Oil Hole -Specification-



DUST PREVENTION

A smooth ball circulation is hindered by dust or foreign particles inside the slide bush. Seals on both sides is a standard option for the NB slide bush, however, in a harsh environment it is necessary to attach bellows or protective covers.

Figure C-13 Example of Dust Prevention

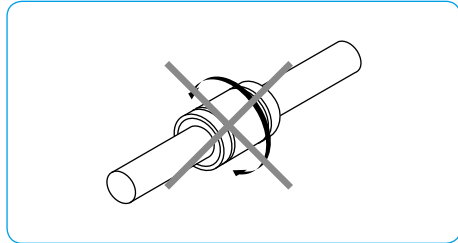


NOTES ON HANDLING

The NB slide bush is a precision component, please handle with care to maintain its high motion accuracy.

The slide bush is designed for linear motion, so that for applications in which a combination of linear and rotational motion is a requirement, let us recommend Stroke Bush, Slide Rotary Bush, or Rotary Ball Spline.

Figure C-14 Direction of Motion



OTHER SPECIFICATIONS

● Flange Type Slide Bush with Surface-Treatment
The following surface treatments are available as standard option:

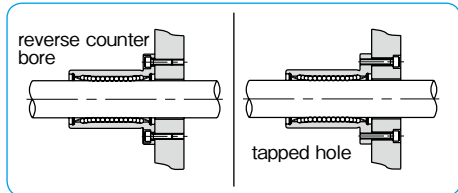
SK	electroless nickel plating
LF	low temperature black chrome treatment with fluoride coating
SB	black oxide (excluding anti-corrosion type)
SC	industrial chrome plating

* Please contact NB for the thickness of coating and the resulting outer diameter tolerance.

● Special Specifications

Please contact NB for more information on surface treatment, oil hole (Figure C-12), flange mounting hole (Figure C-15), etc.

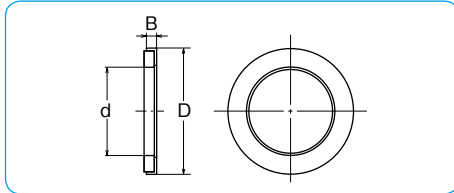
Figure C-15 Examples of Special Installation Hole



FELT SEAL

A felt seal FLM strengthens lubrication characteristics and extends re-lubrication period of the NB slide bush.

Figure C-16 Felt Seal

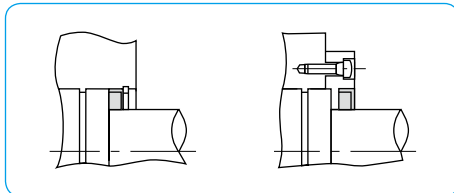


part number	major dimensions(mm)			applicable slide bush
	d	D	B	
FLM 6	6	12	2	SM 6 / GM 6
FLM 8	8	15	2	SM 8 / GM 8
FLM 10	10	19	3	SM 10 / GM10
FLM 12	12	21	3	SM 12 / GM12
FLM 13	13	23	3	SM 13 / GM13
FLM 16	16	28	4	SM 16 / GM16
FLM 20	20	32	4	SM 20 / GM20
FLM 25	25	40	5	SM 25 / GM25
FLM 30	30	45	5	SM 30 / GM30
FLM 35	35	52	5	SM 35
FLM 40	40	60	5	SM 40
FLM 50	50	80	10	SM 50
FLM 60	60	90	10	SM 60
FLM 80	80	120	10	SM 80
FLM100	100	150	10	SM100

Felt Seal Installation

The felt seal does not work as a retaining ring. Figure C-17 shows how to install the felt seal.

Figure C-17 Example of Felt Seal Installation



ACCURACY

The accuracy of CE/CD-type support rails are measured as shown in Figure C-18.

Figure C-18 Accuracy Measurement

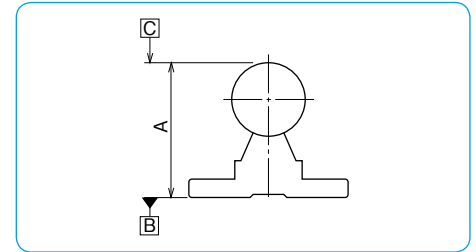
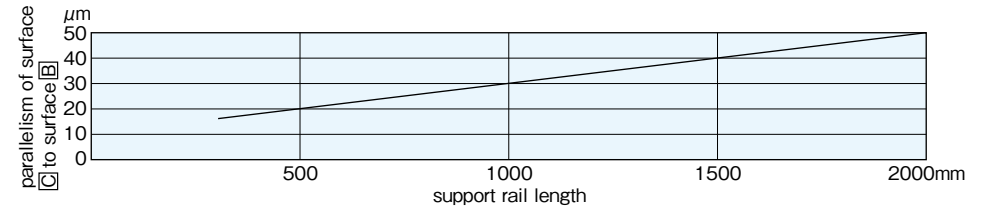


Figure C-19 Accuracy of CE/CD-type Support Rails

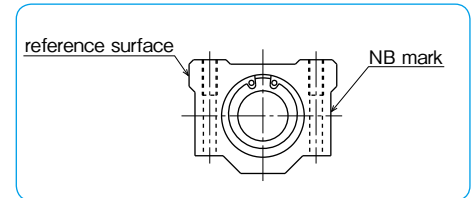


NOTES ON USAGE OF BLOCK SERIES

Reference Surface

The NB slide units have a reference surface as shown in Figure C-20. Accuracy is achieved by simply pushing the reference surface against the shoulder of the installation surface. (Excluding RB and SMP types)

Figure C-20 Reference Surface



Clearance Adjustment

On the clearance adjustment type please avoid excessive preloading. In the same manner please do not apply excessive torque when tightening the screws.

Mounting of RB Type

RB type has a resin housing. Table C-11 shows proper torque values.

Table C-11 Recommended Torque for RB Type

part number	mounting screw	torque N · m
RB10~16	M4	1.8
RB20	M5	5.3

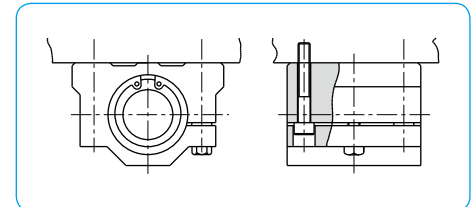
Recommended Fit

For clearance fit please use a shaft with g6 tolerance and for transition fit a shaft with h6 tolerance. (Excluding adjustable-clearance and open types)

Special Installation Case of SMJ Type

Special mounting holes will be required for installations such as Figure C-21 shows. Please contact NB for special requirements.

Figure C-21 Special Installation of SMJ Type



SM TYPE

– Standard Type –



part number structure

example **SMS 25 G UU - P**

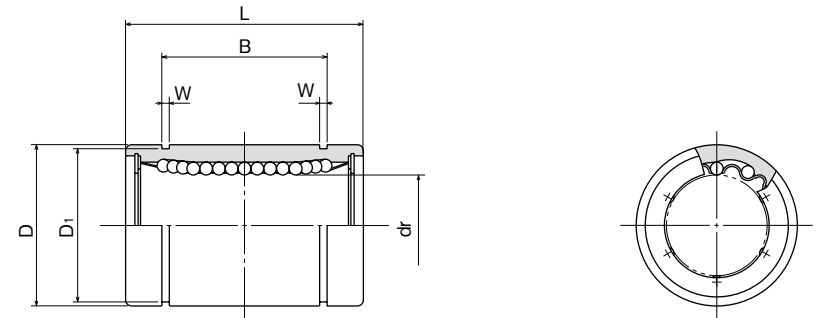
specification
SM: standard
SMS: anti-corrosion

inner contact diameter (dr)

retainer material
blank: standard/steel
 anti-corrosion/stainless steel
G: resin

accuracy grade
blank: high
P: precision

seal
blank: without seal
U: seal on one side
UU: seals on both sides



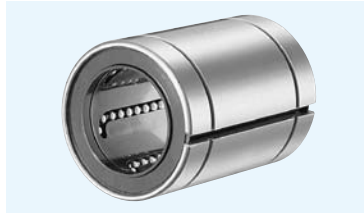
part number				number of ball circuits	major dimensions				
standard		anti-corrosion			mm	dr tolerance μm		D	
steel retainer	resin retainer	stainless retainer	resin retainer			precision	high	mm	tolerance μm
SM 3	SM 3G	SMS 3	SMS 3G	4	3			7	0
SM 4	SM 4G	SMS 4	SMS 4G	4	4	0	0	8	0
SM 5	SM 5G	SMS 5	SMS 5G	4	5	-5	-8	10	-9
SM 6	SM 6G	SMS 6	SMS 6G	4	6			12	0
SM 8s	SM 8sG	SMS 8s	SMS 8sG	4	8			15	-11
SM 8	SM 8G	SMS 8	SMS 8G	4	8			15	
SM 10	SM10G	SMS10	SMS10G	4	10	0	0	19	0
SM 12	SM12G	SMS12	SMS12G	4	12	-6	-9	21	0
SM 13	SM13G	SMS13	SMS13G	4	13			23	-13
SM 16	SM16G	SMS16	SMS16G	4	16			28	
SM 20	SM20G	SMS20	SMS20G	5	20			32	0
SM 25	SM25G	SMS25	SMS25G	6	25	-7	-10	40	-16
SM 30	SM30G	SMS30	SMS30G	6	30			45	
SM 35	SM35G	SMS35	SMS35G	6	35			52	0
SM 40	SM40G	SMS40	SMS40G	6	40	0	0	60	0
SM 50	SM50G	SMS50	SMS50G	6	50	-8	-12	80	-19
SM 60	SM60G	SMS60	SMS60G	6	60	0	0	90	0
SM 80	SM80G	SMS80	SMS80G	6	80	-9	-15	120	-22
SM100	-	-	-	6	100	0	0	150	0
SM120	-	-	-	8	120	-10	-20	180	-25
SM150	-	-	-	8	150	0/-13	0/-25	210	0/-29

mm	L tolerance mm	B tolerance mm		W mm	D1 mm	eccentricity		radial clearance (maximum) μm	basic load rating		mass g	shaft diameter mm
		mm	mm			precision μm	high μm		C N	Co N		
10		-	-	-	-				69	105	1.4	3
12	0	-	-	-	-	4	8		88	127	2.0	4
15	-0.12	10.2		1.1	9.6			-3	167	206	4.0	5
19		13.5		1.1	11.5				206	265	8.5	6
17		11.5		1.1	14.3				176	216	11	8
24		17.5		1.1	14.3				274	392	17	8
29	0	22	0	1.3	18	8	12		372	549	36	10
30	-0.2	23	-0.2	1.3	20			-4	510	784	42	12
32		23		1.3	22				510	784	49	13
37		26.5		1.6	27				774	1,180	76	16
42		30.5		1.6	30.5			-6	882	1,370	100	20
59		41		1.85	38	10	15		980	1,570	240	25
64		44.5		1.85	43				1,570	2,740	270	30
70	0	49.5	0	2.1	49			-8	1,670	3,140	425	35
80	-0.3	60.5	-0.3	2.1	57	12	20	-10	2,160	4,020	654	40
100		74		2.6	76.5				3,820	7,940	1,700	50
110		85		3.15	86.5			-13	4,700	10,000	2,000	60
140		105.5		4.15	116	17	25		7,350	16,000	4,520	80
175	0	125.5	0	4.15	145			-20	14,100	34,800	8,600	100
200	-0.4	158.6	-0.4	4.15	175	20	30		16,400	40,000	15,000	120
240		170.6		5.15	204	25	40	-25	21,100	54,300	20,250	150

1N=0.102kgf

SM-AJ TYPE

– Clearance Adjustable Type –



part number structure

example **SMS 25 G UU-AJ**

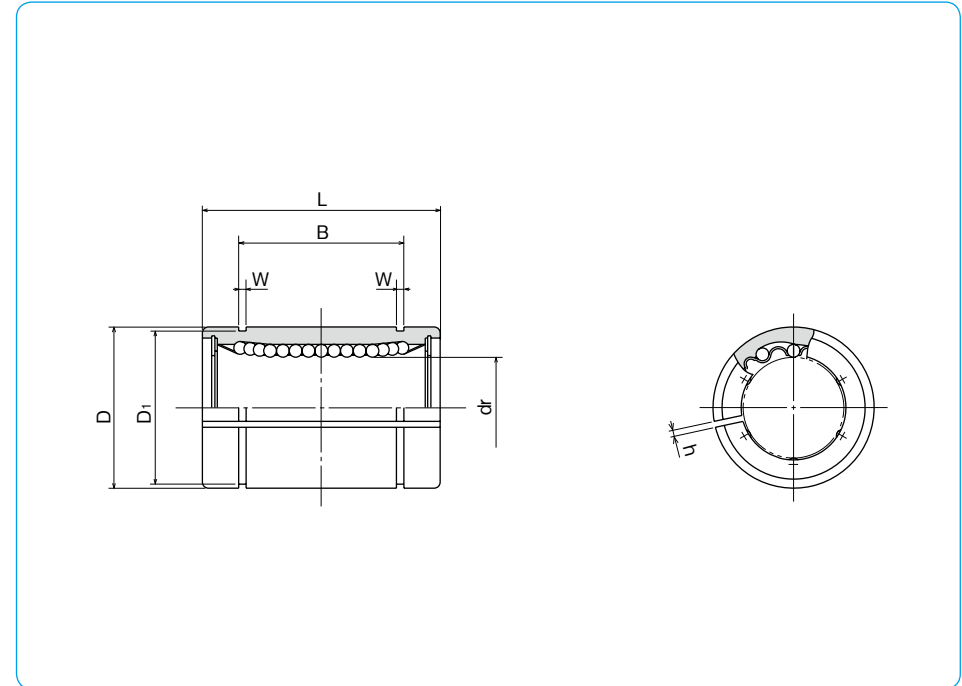
specification
SM: standard
SMS: anti-corrosion

inner contact diameter (dr)

retainer material
blank: standard/steel
U: anti-corrosion/stainless steel
G: resin

clearance-adjustable

seal
blank: without seal
U: seal on one side
UU: seals on both sides



part number		number of ball circuits	dr	major dimensions			
standard	anti-corrosion			D	D		
steel retainer	resin retainer	stainless retainer	resin retainer	mm	tolerance* μm	mm	tolerance* μm
—	SM 6G-AJ	—	SMS 6G-AJ	4	6	12	0
—	SM 8sG-AJ	—	SMS 8sG-AJ	4	8	15	-11
—	SM 8G-AJ	—	SMS 8G-AJ	4	8	15	0
—	SM10G-AJ	—	SMS10G-AJ	4	10	19	-9
SM 12-AJ	SM12G-AJ	SMS 12-AJ	SMS12G-AJ	4	12	21	0
SM 13-AJ	SM13G-AJ	SMS 13-AJ	SMS13G-AJ	4	13	23	-13
SM 16-AJ	SM16G-AJ	SMS 16-AJ	SMS16G-AJ	4	16	28	0
SM 20-AJ	SM20G-AJ	SMS20-AJ	SMS20G-AJ	5	20	32	0
SM 25-AJ	SM25G-AJ	SMS25-AJ	SMS25G-AJ	6	25	40	-16
SM 30-AJ	SM30G-AJ	SMS30-AJ	SMS30G-AJ	6	30	45	0
SM 35-AJ	SM35G-AJ	SMS35-AJ	SMS35G-AJ	6	35	52	0
SM 40-AJ	SM40G-AJ	SMS40-AJ	SMS40G-AJ	6	40	60	-19
SM 50-AJ	SM50G-AJ	SMS50-AJ	SMS50G-AJ	6	50	80	0
SM 60-AJ	SM60G-AJ	SMS60-AJ	SMS60G-AJ	6	60	90	0
SM 80-AJ	SM80G-AJ	—	—	6	80	120	-22
SM100-AJ	—	—	—	6	100	150	0
SM120-AJ	—	—	—	8	120	180	-25
SM150-AJ	—	—	—	8	150	210	0/-29

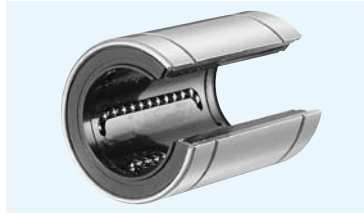
* Accuracy is measured prior to machining clearance slit.

mm	L tolerance mm	B		W mm	D ₁ mm	h mm	eccentricity* μm	basic load rating		mass g	shaft diameter mm
		mm	tolerance mm					dynamic C N	static Co N		
19	0 -0.2	13.5	0 -0.2	1.1	11.5	1	12	206	265	7.5	6
17		11.5		1.1	14.3	1		176	216	10	8
24		17.5		1.1	14.3	1		274	392	14.7	8
29		22		1.3	18	1		372	549	29	10
30		23		1.3	20	1.5		510	784	41	12
32		23		1.3	22	1.5		510	784	48	13
37	0 -0.3	26.5	0 -0.3	1.6	27	1.5	15	774	1,180	75	16
42		30.5		1.6	30.5	1.5		882	1,370	98	20
59		41		1.85	38	2		980	1,570	237	25
64		44.5		1.85	43	2.5		1,570	2,740	262	30
70		49.5		2.1	49	2.5		1,670	3,140	420	35
80		60.5		2.1	57	3		2,160	4,020	640	40
100	0 -0.4	74	0 -0.4	2.6	76.5	3	20	3,820	7,940	1,680	50
110		85		3.15	86.5	3		4,700	10,000	1,980	60
140		105.5		4.15	116	3		7,350	16,000	4,400	80
175		125.5		4.15	145	3		14,100	34,800	8,540	100
200		158.6		4.15	175	3		16,400	40,000	14,900	120
240		170.6		5.15	204	3		21,100	54,300	20,150	150

1N≒0.102kgf

SM-OP TYPE

– Open Type –



part number structure

example **SMS 25 G UU -OP**

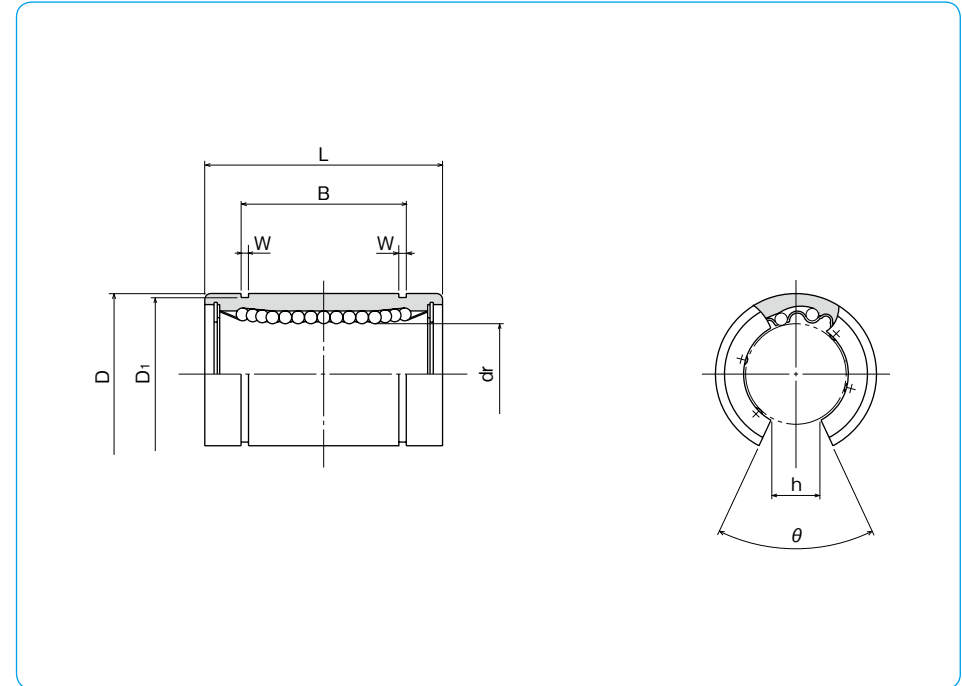
specification
SM: standard
SMS: anti-corrosion

inner contact diameter (dr)

retainer material
blank: standard/steel
 anti-corrosion/stainless steel
G: resin

open type

seal
blank: without seal
U: seal on one side
UU: seals on both sides



part number				number of ball circuits	mm	dr tolerance* μm	major dimensions	
standard steel retainer	resin retainer	anti-corrosion stainless retainer	resin retainer				mm	D tolerance* μm
–	SM10G-OP	–	SMS10G-OP	3	10		19	
SM 12-OP	SM12G-OP	SMS12-OP	SMS12G-OP	3	12	0	21	0
SM 13-OP	SM13G-OP	SMS13-OP	SMS13G-OP	3	13	– 9	23	–13
SM 16-OP	SM16G-OP	SMS16-OP	SMS16G-OP	3	16		28	
SM 20-OP	SM20G-OP	SMS20-OP	SMS20G-OP	4	20	0	32	0
SM 25-OP	SM25G-OP	SMS25-OP	SMS25G-OP	5	25	–10	40	–16
SM 30-OP	SM30G-OP	SMS30-OP	SMS30G-OP	5	30		45	
SM 35-OP	SM35G-OP	SMS35-OP	SMS35G-OP	5	35	0	52	0
SM 40-OP	SM40G-OP	SMS40-OP	SMS40G-OP	5	40	–12	60	–19
SM 50-OP	SM50G-OP	SMS50-OP	SMS50G-OP	5	50	0	80	0
SM 60-OP	SM60G-OP	SMS60-OP	SMS60G-OP	5	60	0	90	0
SM 80-OP	SM80G-OP	–	–	5	80	–15	120	–22
SM100-OP	–	–	–	5	100	0	150	0
SM120-OP	–	–	–	6	120	–20	180	–25
SM150-OP	–	–	–	6	150	0/–25	210	0/–29

* Accuracy is measured prior to machining open slit.

mm	L tolerance mm	B tolerance mm		W mm	D1 mm	h mm	θ	eccentricity* μm	basic load rating		mass g	shaft diameter mm
		mm	mm						C N	Co N		
29	0 –0.2	22	0 –0.2	1.3	18	6.8	80°	12	372	549	23	10
30		23		1.3	20	8	80°		510	784	32	12
32		23		1.3	22	9	80°		510	784	37	13
37		26.5		1.6	27	11	80°		774	1,180	58	16
42		30.5		1.6	30.5	11	60°		882	1,370	79	20
59	0 –0.3	41	0 –0.3	1.85	38	12	50°	15	980	1,570	203	25
64		44.5		1.85	43	15	50°		1,570	2,740	228	30
70		49.5		2.1	49	17	50°		1,670	3,140	355	35
80		60.5		2.1	57	20	50°		2,160	4,020	546	40
100		74		2.6	76.5	25	50°		3,820	7,940	1,420	50
110	0 –0.4	85	0 –0.4	3.15	86.5	30	50°	25	4,700	10,000	1,650	60
140		105.5		4.15	116	40	50°		7,350	16,000	3,750	80
175		125.5		4.15	145	50	50°		14,100	34,800	7,200	100
200		158.6		4.15	175	85	80°		16,400	40,000	11,600	120
240		170.6		5.15	204	105	80°		21,100	54,300	15,700	150

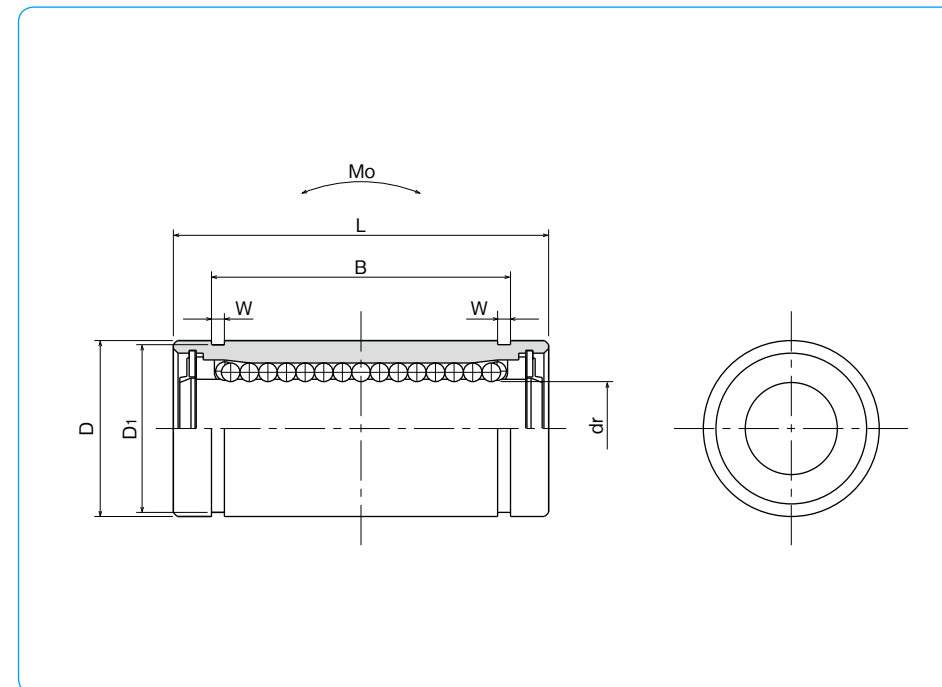
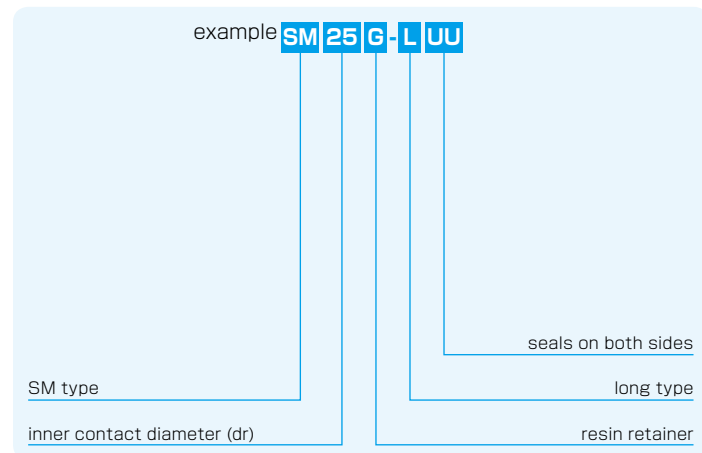
1N≐0.102kgf

SM-G-L TYPE

– Long Type –



part number structure



part number*	number of ball circuits	dr		D		major dimensions			
		mm	tolerance μm	mm	tolerance μm	mm	tolerance mm	mm	tolerance mm
SM 6G-LUU	4	6	0	12	0	26	0	20.5	-0.2
SM 8G-LUU	4	8		15	-13	32		25.5	
SM10G-LUU	4	10		19	39	32			
SM12G-LUU	4	12		21	0	41		34	
SM13G-LUU	4	13		23	-16	45		36	
SM16G-LUU	4	16		28	53	42			
SM20G-LUU	5	20	32	0	59	47.5	0		
SM25G-LUU	6	25	40	0	83	69			
SM30G-LUU	6	30	45	-19	90	75		-0.3	

*UU type is standard.

W	D ₁	eccentricity	basic load rating		allowable static moment M ₀ N · m	mass g	shaft diameter mm
			dynamic C N	static C ₀ N			
1.1	11.5	15	262	476	1.15	10	6
1.1	14.3		352	615	1.94	19	8
1.3	18		493	1,005	3.98	38	10
1.3	20		637	1,430	6.26	43	12
1.3	22		682	1,560	7.68	62	13
1.6	27		1,039	2,350	13.2	99	16
1.6	30.5	20	1,160	2,740	17.9	125	20
1.85	38		1,300	2,960	27.2	315	25
1.85	43		2,160	5,880	61.3	347	30

1N \div 0.102kgf 1N · m \div 0.102kgf · m

SM-W TYPE

– Double-Wide Type –



part number structure

example **SMS 25 G W UU**

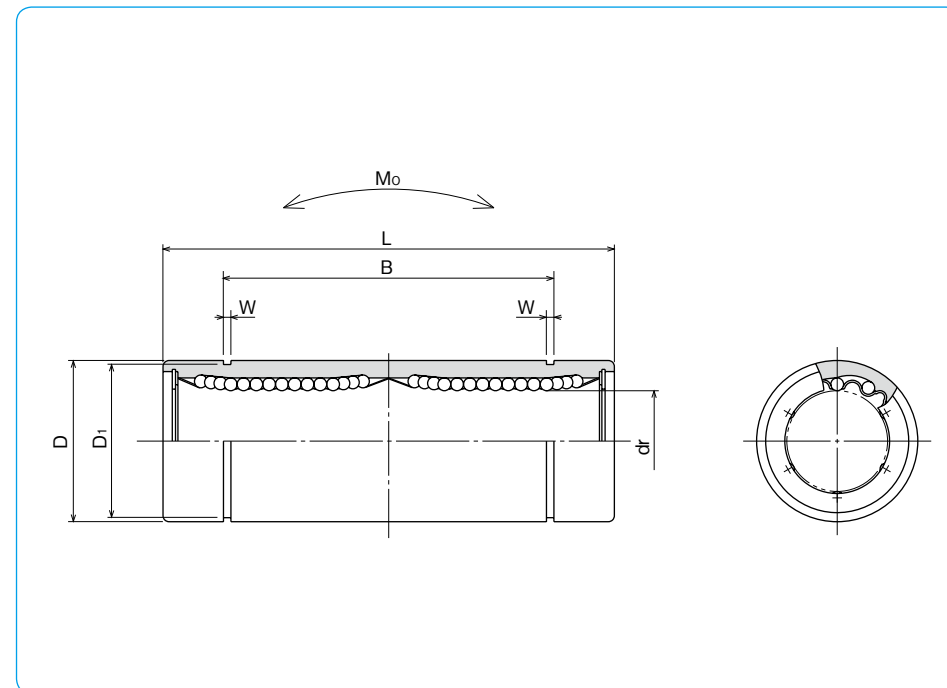
specification
SM: standard
SMS: anti-corrosion

inner contact diameter (dr)

retainer material
blank: standard/steel
 anti-corrosion/stainless steel
G: resin

seal
blank: without seal
UU: seals on both sides

double-wide type



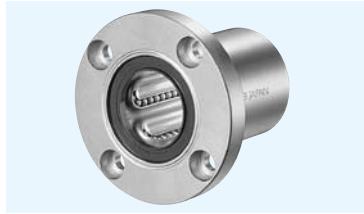
part number				number of ball circuits	dr		major dimensions	
standard steel retainer	resin retainer	anti-corrosion stainless retainer	resin retainer		mm	tolerance μm	mm	tolerance μm
SM 3W	SM 3GW	SMS 3W	SMS 3GW	4	3	0 -10	7	0
SM 4W	SM 4GW	SMS 4W	SMS 4GW	4	4		8	-11
SM 5W	SM 5GW	SMS 5W	SMS 5GW	4	5		10	0
SM 6W	SM 6GW	SMS 6W	SMS 6GW	4	6		12	-13
SM 8W	SM 8GW	SMS 8W	SMS 8GW	4	8		15	0
SM10W	SM10GW	SMS10W	SMS10GW	4	10		19	-16
SM12W	SM12GW	SMS12W	SMS12GW	4	12		21	0
SM13W	SM13GW	SMS13W	SMS13GW	4	13		23	-19
SM16W	SM16GW	SMS16W	SMS16GW	4	16		28	0
SM20W	SM20GW	SMS20W	SMS20GW	5	20		32	-22
SM25W	SM25GW	SMS25W	SMS25GW	6	25		40	0
SM30W	SM30GW	SMS30W	SMS30GW	6	30		45	-12
SM35W	SM35GW	SMS35W	SMS35GW	6	35	52	0	
SM40W	SM40GW	SMS40W	SMS40GW	6	40	60	-15	
SM50W	SM50GW	SMS50W	SMS50GW	6	50	80	0	
SM60W	SM60GW	SMS60W	SMS60GW	6	60	0/-20	90	0/-25

mm	L tolerance mm	B tolerance mm		W mm	D ₁ mm	eccentricity μm	basic load rating		allowable static moment Mo N·m	mass g	shaft diameter mm
		mm	mm				dynamic C N	static Co N			
19	0 -0.3	—	—	—	—	10	138	210	0.51	3.2	3
23		—	—	—	—		176	254	0.63	4.8	4
28		20.4	0 -0.3	1.1	9.6		265	412	1.38	11	5
35		27		1.1	11.5	323	530	2.18	16	6	
45		35		1.1	14.3	431	784	4.31	31	8	
55		44		1.3	18	588	1,100	7.24	62	10	
57		46		1.3	20	813	1,570	10.9	80	12	
61		46		1.3	22	813	1,570	11.6	90	13	
70		53		1.6	27	1,230	2,350	19.7	145	16	
80		61		1.6	30.5	1,400	2,740	26.8	180	20	
112		82		1.85	38	1,560	3,140	43.4	440	25	
123		89		1.85	43	2,490	5,490	82.8	480	30	
135	99	2.1		49	2,650	6,270	110	795	35		
151	121	2.1		57	3,430	8,040	147	1,170	40		
192	148	2.6	76.5	6,080	15,900	397	3,100	50			
209	170	3.15	86.5	7,550	20,000	530	3,500	60			

1N \approx 0.102kgf 1N · m \approx 0.102kgf · m

SMF TYPE

– Round Flange Type –



part number structure

example **SMSF 25 G UU-SK**

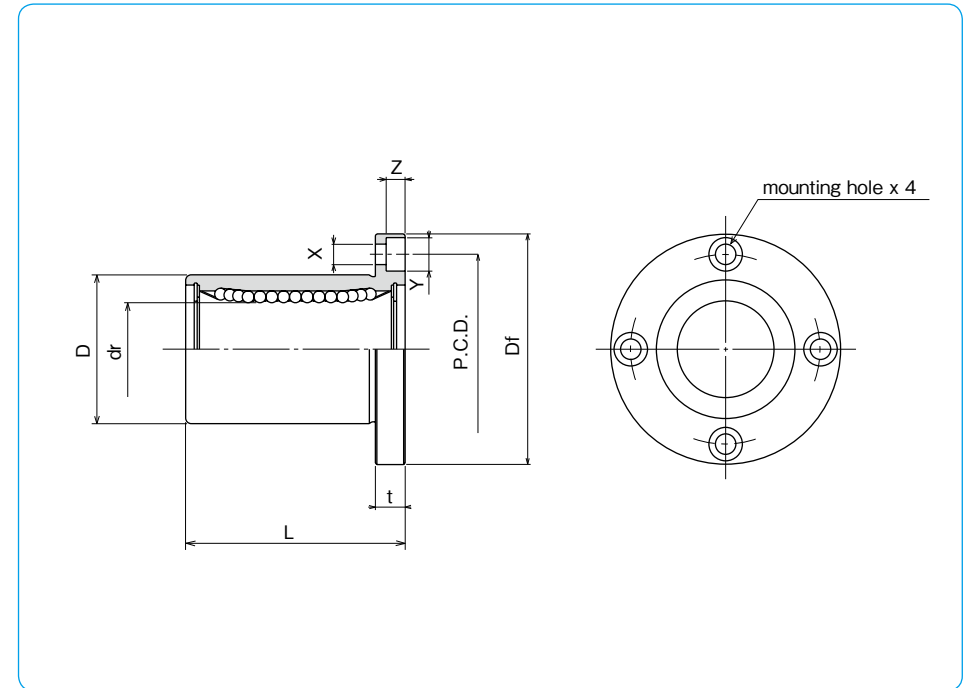
specification
SMF: standard
SMSF: anti-corrosion

inner contact diameter (dr)

retainer material
blank: standard/steel
 anti-corrosion/stainless steel
G: resin

outer cylinder surface treatment
blank: no surface treatment
SK: electroless nickel plating
LF: low temperature black chrome treatment with fluoride coating
SB: black oxide (not available on anti-corrosion type)
SC: industrial chrome plating

seal
blank: without seal
UU: seals on both sides



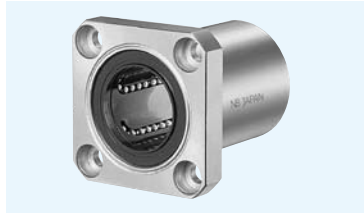
part number				number of ball circuits	major dimensions				
standard steel retainer	anti-corrosion resin retainer	stainless steel retainer	resin retainer		dr mm	tolerance μm	D mm	tolerance μm	L ±0.3 mm
SMF 6	SMF 6G	SMSF 6	SMSF 6G	4	6		12		19
SMF 8s	SMF 8sG	SMSF 8s	SMSF 8sG	4	8		15	0	17
SMF 8	SMF 8G	SMSF 8	SMSF 8G	4	8		15	-13	24
SMF 10	SMF10G	SMSF10	SMSF10G	4	10		19		29
SMF 12	SMF12G	SMSF12	SMSF12G	4	12	-9	21	0	30
SMF 13	SMF13G	SMSF13	SMSF13G	4	13		23	-16	32
SMF 16	SMF16G	SMSF16	SMSF16G	4	16		28		37
SMF 20	SMF20G	SMSF20	SMSF20G	5	20		32	0	42
SMF 25	SMF25G	SMSF25	SMSF25G	6	25	-10	40	-19	59
SMF 30	SMF30G	SMSF30	SMSF30G	6	30		45		64
SMF 35	SMF35G	SMSF35	SMSF35G	6	35		52	0	70
SMF 40	SMF40G	SMSF40	SMSF40G	6	40	-12	60	-22	80
SMF 50	SMF50G	SMSF50	SMSF50G	6	50		80		100
SMF 60	SMF60G	SMSF60	SMSF60G	6	60	0	90	0	110
SMF 80	-	-	-	6	80	-15	120	-25	140
SMF100	-	-	-	6	100	0/-20	150	0/-29	175

Df mm	t mm	flange P.C.D. mm	X×Y×Z mm	eccentricity μm	perpendicularity μm	basic load rating		mass g	shaft diameter mm
						dynamic C N	static Co N		
28	5	20	3.5×6×3.1	12	12	206	265	24	6
32	5	24	3.5×6×3.1			176	216	32	8
32	5	24	3.5×6×3.1			274	392	37	8
40	6	29	4.5×7.5×4.1			372	549	72	10
42	6	32	4.5×7.5×4.1			510	784	76	12
43	6	33	4.5×7.5×4.1			510	784	88	13
48	6	38	4.5×7.5×4.1	15	15	774	1,180	120	16
54	8	43	5.5×9×5.1			882	1,370	180	20
62	8	51	5.5×9×5.1			980	1,570	340	25
74	10	60	6.6×11×6.1			1,570	2,740	470	30
82	10	67	6.6×11×6.1			1,670	3,140	650	35
96	13	78	9×14×8.1			2,160	4,020	1,060	40
116	13	98	9×14×8.1	20	20	3,820	7,940	2,200	50
134	18	112	11×17×11.1			4,700	10,000	3,000	60
164	18	142	11×17×11.1			7,350	16,000	5,800	80
200	20	175	14×20×13.1			14,100	34,800	10,600	100

1N≒0.102kgf

SMK TYPE

– Square Flange Type –



part number structure

example **SMSK 25 G UU-SK**

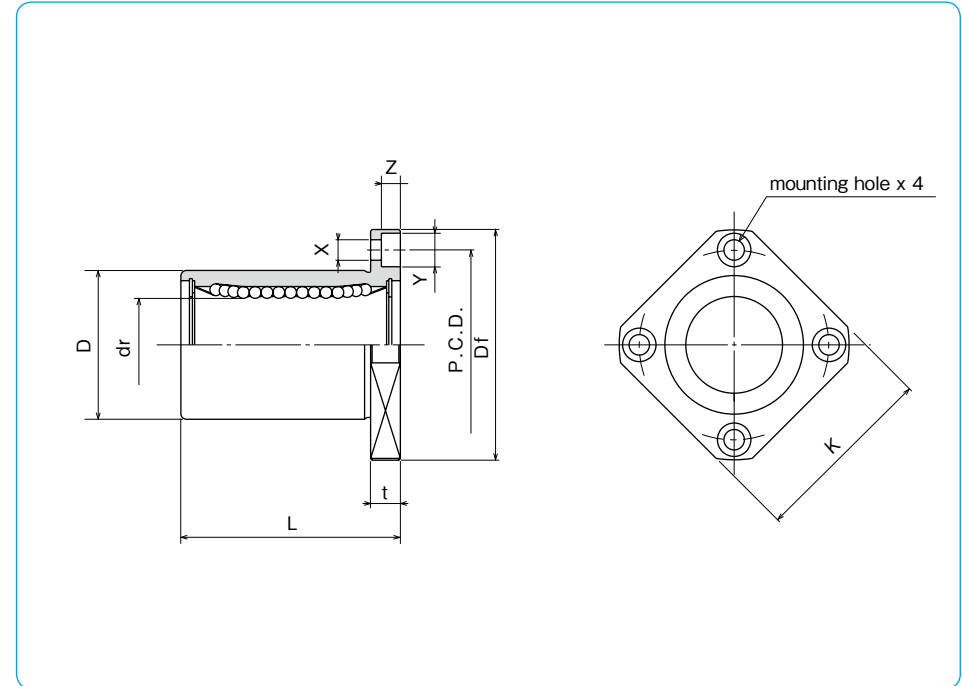
specification
SMK: standard
SMSK: anti-corrosion

inner contact diameter (dr)

retainer material
blank: standard/steel
 anti-corrosion/stainless steel
G: resin

outer cylinder surface treatment
blank: no surface treatment
SK: electroless nickel plating
LF: low temperature black chrome treatment with fluoride coating
SB: black oxide (not available on anti-corrosion type)
SC: industrial chrome plating

seal
blank: without seal
UU: seals on both sides



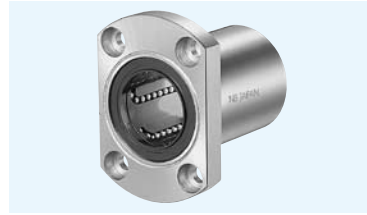
part number				number of ball circuits	major dimensions				
standard steel retainer	resin retainer	anti-corrosion stainless retainer	anti-corrosion resin retainer		dr mm	dr tolerance μm	D mm	D tolerance μm	L ±0.3 mm
SMK 6	SMK 6G	SMSK 6	SMSK 6G	4	6		12	0	19
SMK 8s	SMK 8sG	SMSK 8s	SMSK 8sG	4	8		15	-13	17
SMK 8	SMK 8G	SMSK 8	SMSK 8G	4	8		15		24
SMK 10	SMK10G	SMSK10	SMSK10G	4	10	-9	19	0	29
SMK 12	SMK12G	SMSK12	SMSK12G	4	12		21	0	30
SMK 13	SMK13G	SMSK13	SMSK13G	4	13		23	-16	32
SMK 16	SMK16G	SMSK16	SMSK16G	4	16		28		37
SMK 20	SMK20G	SMSK20	SMSK20G	5	20	0	32	0	42
SMK 25	SMK25G	SMSK25	SMSK25G	6	25	-10	40	-19	59
SMK 30	SMK30G	SMSK30	SMSK30G	6	30		45		64
SMK 35	SMK35G	SMSK35	SMSK35G	6	35	0	52	0	70
SMK 40	SMK40G	SMSK40	SMSK40G	6	40	-12	60	-22	80
SMK 50	SMK50G	SMSK50	SMSK50G	6	50		80		100
SMK 60	SMK60G	SMSK60	SMSK60G	6	60	0	90	0	110
SMK 80	-	-	-	6	80	-15	120	-25	140
SMK100	-	-	-	6	100	0/-20	150	0/-29	175

Df mm	K mm	flange			eccentricity μm	perpendicularity μm	basic load rating		mass g	shaft diameter mm
		t mm	P.C.D. mm	X×Y×Z mm			dynamic C N	static Co N		
28	22	5	20	3.5×6×3.1	12	12	206	265	18	6
32	25	5	24	3.5×6×3.1			176	216	24	8
32	25	5	24	3.5×6×3.1			274	392	29	8
40	30	6	29	4.5×7.5×4.1			372	549	52	10
42	32	6	32	4.5×7.5×4.1			510	784	57	12
43	34	6	33	4.5×7.5×4.1			510	784	72	13
48	37	6	38	4.5×7.5×4.1	774	1,180	104	16		
54	42	8	43	5.5×9×5.1	882	1,370	145	20		
62	50	8	51	5.5×9×5.1	980	1,570	300	25		
74	58	10	60	6.6×11×6.1	1,570	2,740	375	30		
82	64	10	67	6.6×11×6.1	1,670	3,140	560	35		
96	75	13	78	9×14×8.1	2,160	4,020	880	40		
116	92	13	98	9×14×8.1	3,820	7,940	2,000	50		
134	106	18	112	11×17×11.1	4,700	10,000	2,560	60		
164	136	18	142	11×17×11.1	7,350	16,000	5,300	80		
200	170	20	175	14×20×13.1	14,100	34,800	9,900	100		

1N≒0.102kgf

SMT TYPE

– Two Side Cut Flange Type –



part number structure

example **SMST 25 G UU -SK**

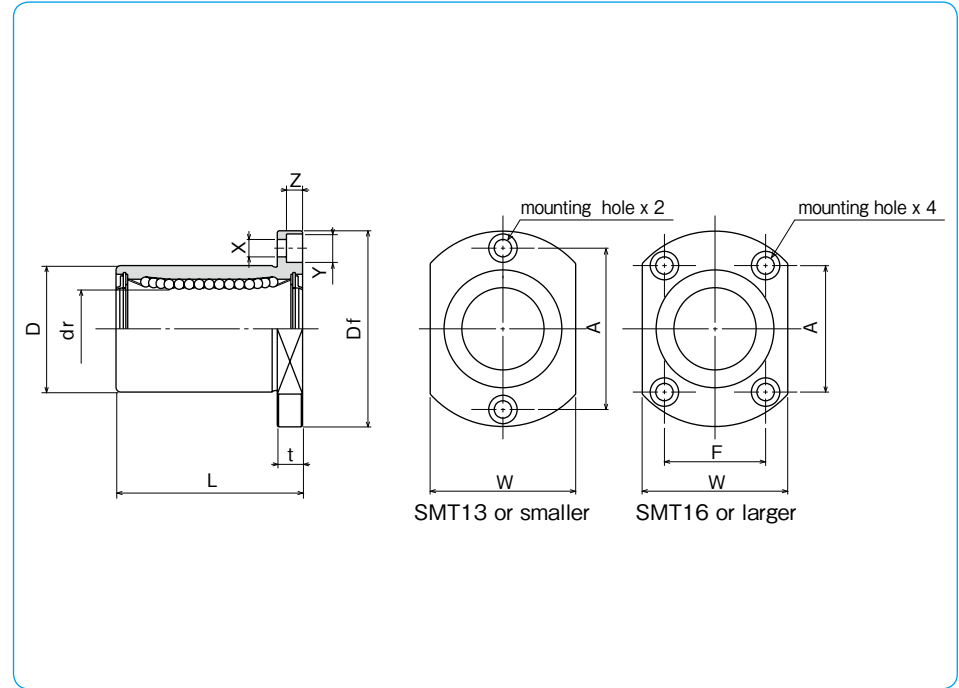
specification
SMT: standard
SMST: anti-corrosion

inner contact diameter (dr)

retainer material
blank: standard/steel
 anti-corrosion/stainless steel
G: resin

outer cylinder surface treatment
blank: no surface treatment
SK: electroless nickel plating
LF: low temperature black chrome treatment with fluoride coating
SB: black oxide (not available on anti-corrosion type)
SC: industrial chrome plating

seals on both sides



part number*				number of ball circuits	dr mm	dr tolerance μm	major dimensions		
standard steel retainer	standard resin retainer	anti-corrosion stainless retainer	anti-corrosion resin retainer				D mm	D tolerance μm	L ±0.3 mm
SMT 6UU	SMT 6GUU	SMST 6UU	SMST 6GUU	4	6	0	12	0	19
SMT 8UU	SMT 8GUU	SMST 8UU	SMST 8GUU	4	8	-9	15	-13	24
SMT 10UU	SMT 10GUU	SMST 10UU	SMST 10GUU	4	10	0	19	0	29
SMT 12UU	SMT 12GUU	SMST 12UU	SMST 12GUU	4	12	-9	21	0	30
SMT 13UU	SMT 13GUU	SMST 13UU	SMST 13GUU	4	13	0	23	-16	32
SMT 16UU	SMT 16GUU	SMST 16UU	SMST 16GUU	4	16	-9	28	-16	37
SMT 20UU	SMT 20GUU	SMST 20UU	SMST 20GUU	5	20	0	32	0	42
SMT 25UU	SMT 25GUU	SMST 25UU	SMST 25GUU	6	25	-10	40	-19	59
SMT 30UU	SMT 30GUU	SMST 30UU	SMST 30GUU	6	30	-10	45	-19	64

* UU type is standard.

Df mm	W mm	t mm	flange			X×Y×Z mm	eccentricity μm	perpendicularity μm	basic load rating		mass g	shaft diameter mm
			A mm	F mm	C N				Co N			
28	18	5	20	—	3.5×6×3.1	12	12	206	265	21	6	
32	21	5	24	—	3.5×6×3.1			274	392	33	8	
40	25	6	29	—	4.5×7.5×4.1			372	549	64	10	
42	27	6	32	—	4.5×7.5×4.1			510	784	68	12	
43	29	6	33	—	4.5×7.5×4.1			510	784	81	13	
48	34	6	31	22	4.5×7.5×4.1	774	1,180	112	16			
54	38	8	36	24	5.5×9×5.1	882	1,370	167	20			
62	46	8	40	32	5.5×9×5.1	980	1,570	325	25			
74	51	10	49	35	6.6×11×6.1	1,570	2,740	388	30			

1N≐0.102kgf

SMF-E TYPE

– Round Flange Type with Pilot End –



part number structure

example **SMSF 25 G UU - E - SK**

specification
SMF: standard
SMSF: anti-corrosion

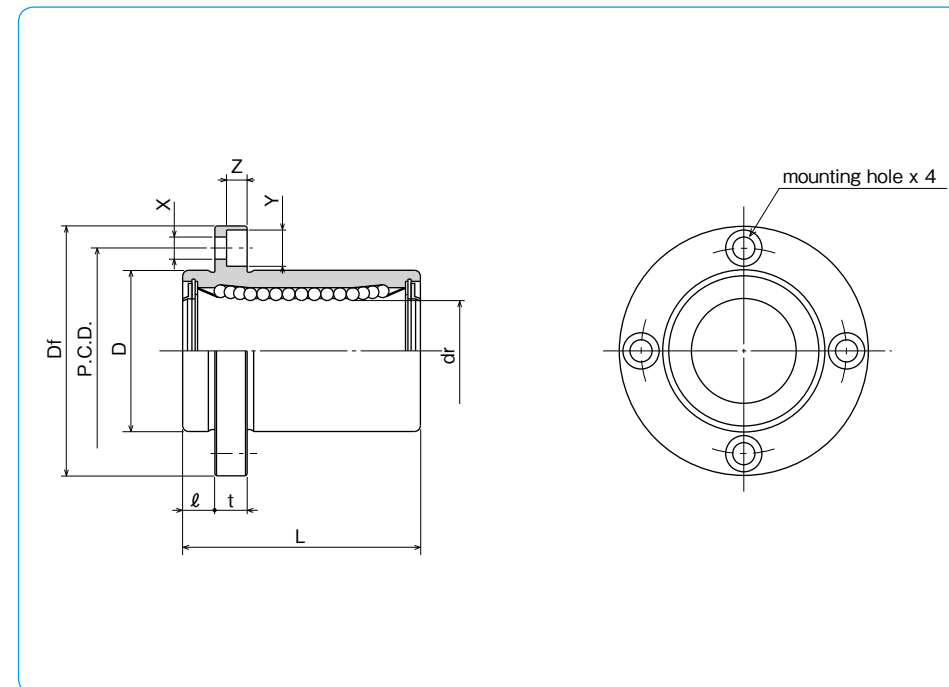
inner contact diameter (dr)

retainer material
blank: standard/steel
 anti-corrosion/stainless steel
G: resin

outer cylinder surface treatment
blank: no surface treatment
SK: electroless nickel plating
LF: low temperature black chrome treatment with fluoride coating
SB: black oxide (not available on anti-corrosion type)
SC: industrial chrome plating

with pilot end

seals on both sides



part number*				number of ball circuits	dr		major dimensions		
standard steel retainer	standard resin retainer	anti-corrosion stainless retainer	anti-corrosion resin retainer		mm	tolerance μm	D mm	tolerance μm	L ± 0.3 mm
SMF 6UU-E	SMF 6GUU-E	SMSF 6UU-E	SMSF 6GUU-E	4	6	12	0	19	
SMF 8UU-E	SMF 8GUU-E	SMSF 8UU-E	SMSF 8GUU-E	4	8	15	-13	24	
SMF 10UU-E	SMF 10GUU-E	SMSF 10UU-E	SMSF 10GUU-E	4	10	19	0	29	
SMF 12UU-E	SMF 12GUU-E	SMSF 12UU-E	SMSF 12GUU-E	4	12	21	0	30	
SMF 13UU-E	SMF 13GUU-E	SMSF 13UU-E	SMSF 13GUU-E	4	13	23	-16	32	
SMF 16UU-E	SMF 16GUU-E	SMSF 16UU-E	SMSF 16GUU-E	4	16	28		37	
SMF 20UU-E	SMF 20GUU-E	SMSF 20UU-E	SMSF 20GUU-E	5	20	32	0	42	
SMF 25UU-E	SMF 25GUU-E	SMSF 25UU-E	SMSF 25GUU-E	6	25	40	-19	59	
SMF 30UU-E	SMF 30GUU-E	SMSF 30UU-E	SMSF 30GUU-E	6	30	45		64	
SMF 35UU-E	SMF 35GUU-E	—	—	6	35	52	0	70	
SMF 40UU-E	SMF 40GUU-E	—	—	6	40	60	0	80	
SMF 50UU-E	SMF 50GUU-E	—	—	6	50	80	-22	100	
SMF 60UU-E	SMF 60GUU-E	—	—	6	60	90	0/-25	110	

* UU type is standard.

ℓ mm	D_f mm	flange			eccentricity μm	perpendicularity μm	basic load rating		mass g	shaft diameter mm		
		t mm	P.C.D. mm	$X \times Y \times Z$ mm			dynamic C N	static Co N				
5	28	5	20	3.5×6×3.1	12	12	206	265	24	6		
5	32	5	24	3.5×6×3.1			274	392	37	8		
6	40	6	29	4.5×7.5×4.1			372	549	72	10		
6	42	6	32	4.5×7.5×4.1			510	784	76	12		
6	43	6	33	4.5×7.5×4.1			510	784	88	13		
6	48	6	38	4.5×7.5×4.1			774	1,180	120	16		
8	54	8	43	5.5×9×5.1	15	15	882	1,370	180	20		
8	62	8	51	5.5×9×5.1			980	1,570	340	25		
10	74	10	60	6.6×11×6.1			1,570	2,740	470	30		
10	82	10	67	6.6×11×6.1	20	20	1,670	3,140	650	35		
13	96	13	78	9×14×8.1			2,160	4,020	1,060	40		
13	116	13	98	9×14×8.1			3,820	7,940	2,200	50		
18	134	18	112	11×17×11.1			25	25	4,700	10,000	3,000	60

1N=0.102kgf

SMK-E TYPE

– Square Flange Type with Pilot End –



part number structure

example **SMSK 25 G UU - E - SK**

specification
SMK: standard
SMSK: anti-corrosion

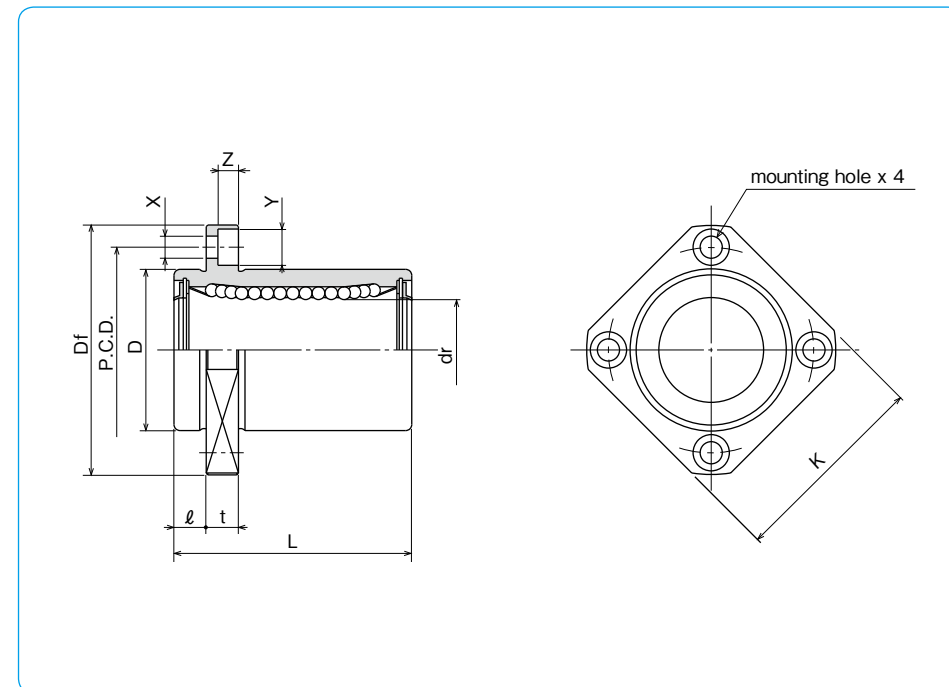
outer cylinder surface treatment
blank: no surface treatment
SK: electroless nickel plating
LF: low temperature black chrome treatment with fluoride coating
SB: black oxide (not available on anti-corrosion type)
SC: industrial chrome plating

inner contact diameter (dr)

retainer material
blank: standard/steel
 anti-corrosion/stainless steel
G: resin

with pilot end

seals on both sides



part number*				number of ball circuits	dr		major dimensions		
standard steel retainer	standard resin retainer	anti-corrosion stainless retainer	anti-corrosion resin retainer		mm	tolerance μm	D mm	tolerance μm	L ± 0.3 mm
SMK 6UU-E	SMK 6GUU-E	SMSK 6UU-E	SMSK 6GUU-E	4	6	12	0	19	
SMK 8UU-E	SMK 8GUU-E	SMSK 8UU-E	SMSK 8GUU-E	4	8	15	-13	24	
SMK 10UU-E	SMK 10GUU-E	SMSK 10UU-E	SMSK 10GUU-E	4	10	19	0	29	
SMK 12UU-E	SMK 12GUU-E	SMSK 12UU-E	SMSK 12GUU-E	4	12	21	0	30	
SMK 13UU-E	SMK 13GUU-E	SMSK 13UU-E	SMSK 13GUU-E	4	13	23	-16	32	
SMK 16UU-E	SMK 16GUU-E	SMSK 16UU-E	SMSK 16GUU-E	4	16	28	0	37	
SMK 20UU-E	SMK 20GUU-E	SMSK 20UU-E	SMSK 20GUU-E	5	20	32	0	42	
SMK 25UU-E	SMK 25GUU-E	SMSK 25UU-E	SMSK 25GUU-E	6	25	40	-19	59	
SMK 30UU-E	SMK 30GUU-E	SMSK 30UU-E	SMSK 30GUU-E	6	30	45	0	64	
SMK 35UU-E	SMK 35GUU-E	—	—	6	35	52	0	70	
SMK 40UU-E	SMK 40GUU-E	—	—	6	40	60	-22	80	
SMK 50UU-E	SMK 50GUU-E	—	—	6	50	80	0	100	
SMK 60UU-E	SMK 60GUU-E	—	—	6	60	90	0/-15	110	

* UU type is standard.

l mm	Df mm	flange			P.C.D. mm	X×Y×Z mm	eccentricity μm	perpendicularity μm	basic load rating		mass g	shaft diameter mm
		K mm	t mm	dynamic C N					static Co N			
5	28	22	5	20	3.5×6×3.1	12	12	206	265	18	6	
5	32	25	5	24	3.5×6×3.1			274	392	29	8	
6	40	30	6	29	4.5×7.5×4.1			372	549	52	10	
6	42	32	6	32	4.5×7.5×4.1			510	784	57	12	
6	43	34	6	33	4.5×7.5×4.1			510	784	72	13	
6	48	37	6	38	4.5×7.5×4.1			774	1,180	104	16	
8	54	42	8	43	5.5×9×5.1	15	15	882	1,370	145	20	
8	62	50	8	51	5.5×9×5.1			980	1,570	300	25	
10	74	58	10	60	6.6×11×6.1			1,570	2,740	375	30	
10	82	64	10	67	6.6×11×6.1	20	20	1,670	3,140	560	35	
13	96	75	13	78	9×14×8.1			2,160	4,020	880	40	
13	116	92	13	98	9×14×8.1			3,820	7,940	2,000	50	
18	134	106	18	112	11×17×11.1			4,700	10,000	2,560	60	

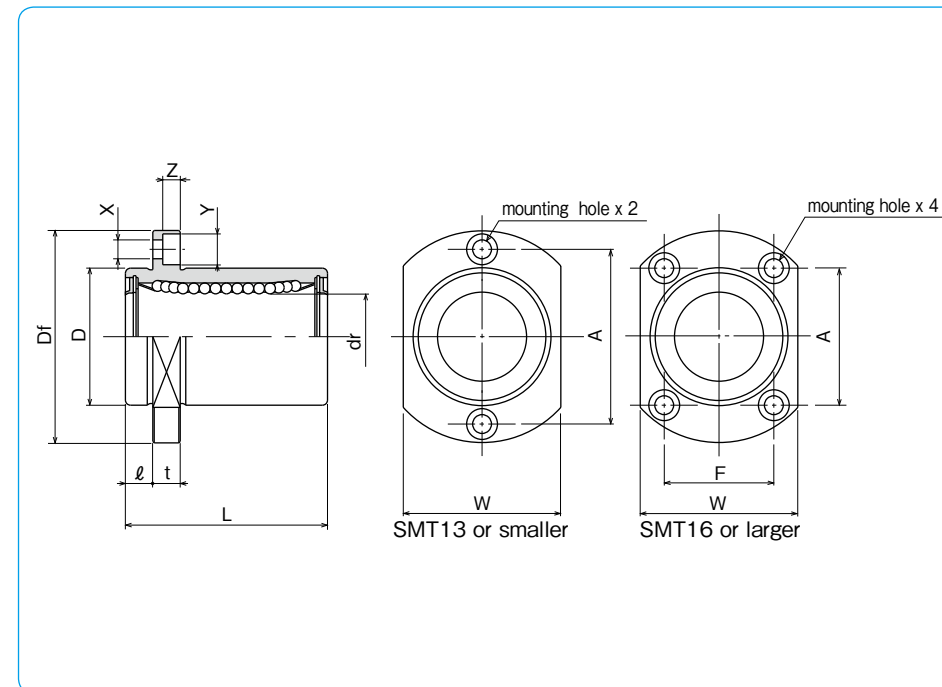
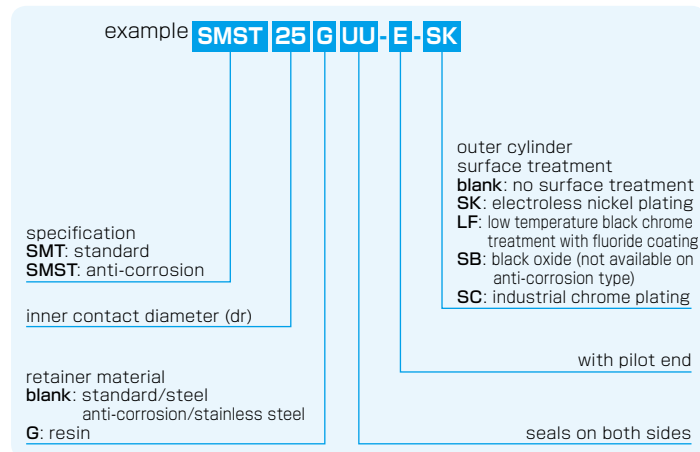
1N=0.102kgf

SMT-E TYPE

– Two Side Cut Pilot End Flange Type –



part number structure



part number*				number of ball circuits	dr mm	dr tolerance μm	major dimensions		
standard steel retainer	standard resin retainer	anti-corrosion stainless retainer	anti-corrosion resin retainer				D mm	D tolerance μm	L ± 0.3 mm
SMT 6UU-E	SMT 6GUU-E	SMST 6UU-E	SMST 6GUU-E	4	6	0	12	19	
SMT 8UU-E	SMT 8GUU-E	SMST 8UU-E	SMST 8GUU-E	4	8	-9	15	24	
SMT 10UU-E	SMT 10GUU-E	SMST 10UU-E	SMST 10GUU-E	4	10	0	19	29	
SMT 12UU-E	SMT 12GUU-E	SMST 12UU-E	SMST 12GUU-E	4	12	-9	21	30	
SMT 13UU-E	SMT 13GUU-E	SMST 13UU-E	SMST 13GUU-E	4	13	0	23	32	
SMT 16UU-E	SMT 16GUU-E	SMST 16UU-E	SMST 16GUU-E	4	16	-16	28	37	
SMT 20UU-E	SMT 20GUU-E	SMST 20UU-E	SMST 20GUU-E	5	20	0	32	42	
SMT 25UU-E	SMT 25GUU-E	SMST 25UU-E	SMST 25GUU-E	6	25	-10	40	59	
SMT 30UU-E	SMT 30GUU-E	SMST 30UU-E	SMST 30GUU-E	6	30	0	45	64	

* UU type is standard.

l mm	D_f mm	flange					eccentricity μm	perpendicularity μm	basic load rating		mass g	shaft diameter mm
		W mm	t mm	A mm	F mm	X×Y×Z mm			dynamic C N	static Co N		
5	28	18	5	20	—	3.5×6×3.1	12	12	206	265	21	6
5	32	21	5	24	—	3.5×6×3.1			274	392	33	8
6	40	25	6	29	—	4.5×7.5×4.1			372	549	64	10
6	42	27	6	32	—	4.5×7.5×4.1			510	784	68	12
6	43	29	6	33	—	4.5×7.5×4.1			510	784	81	13
6	48	34	6	31	22	4.5×7.5×4.1			774	1,180	112	16
8	54	38	8	36	24	5.5×9×5.1	15	15	882	1,370	167	20
8	62	46	8	40	32	5.5×9×5.1			980	1,570	325	25
10	74	51	10	49	35	6.6×11×6.1			1,570	2,740	388	30

1N≐0.102kgf

SMK-G-L TYPE

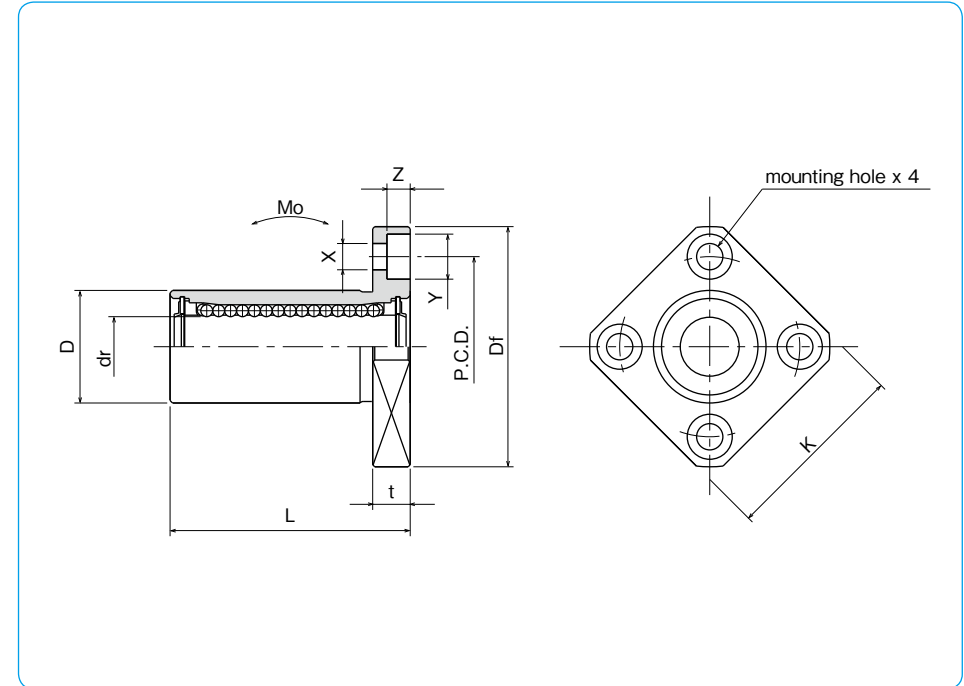
– Square Flange Long type –



part number structure

example **SMK 25 G-L UU-SK**

SMK type	inner contact diameter (dr)	resin retainer	outer cylinder surface treatment	blank: no surface treatment	SK: electroless nickel plating	LF: low temperature black chrome treatment with fluoride coating	SB: black oxide (not available on anti-corrosion type)	SC: industrial chrome plating	seals on both sides	long type
----------	-----------------------------	----------------	----------------------------------	-----------------------------	--------------------------------	--	--	-------------------------------	---------------------	-----------



part number*	number of ball circuits	dr		D		major dimensions				
		mm	tolerance μm	mm	tolerance μm	L ± 0.3 mm	Df mm	K mm	t mm	flange P.C.D. mm
SMK 6G-LUU	4	6	0	12	0	26	28	22	5	20
SMK 8G-LUU	4	8		15	-13	32	32	25	5	24
SMK 10G-LUU	4	10		19	-16	39	40	30	6	29
SMK 12G-LUU	4	12		21		0	41	42	32	6
SMK 13G-LUU	4	13	23	0		45	43	34	6	33
SMK 16G-LUU	4	16	28	0		53	48	37	6	38
SMK 20G-LUU	5	20	-12	32	0	59	54	42	8	43
SMK 25G-LUU	6	25		40	-19	83	62	50	8	51
SMK 30G-LUU	6	30		45	0	90	74	58	10	60

* UU type is standard.

X×Y×Z mm	eccentricity μm	perpendicularity μm	basic load rating		allowable static moment Mo N·m	mass g	shaft diameter mm
			dynamic C N	static Co N			
3.5×6×3.1	15	15	262	476	1.15	20	6
3.5×6×3.1			352	615	1.94	32	8
4.5×7.5×4.1			493	1,005	3.98	59	10
4.5×7.5×4.1			637	1,430	6.26	67	12
4.5×7.5×4.1			682	1,560	7.68	88	13
4.5×7.5×4.1	20	20	1,039	2,350	13.2	125	16
5.5×9×5.1			1,160	2,740	17.9	170	20
5.5×9×5.1			1,300	2,960	27.2	380	25
5.5×9×5.1			1,300	2,960	27.2	380	25
6.6×11×6.1			2,160	5,880	61.3	460	30

1N \approx 0.102kgf 1N·m \approx 0.102kgf·m

SMF-W TYPE

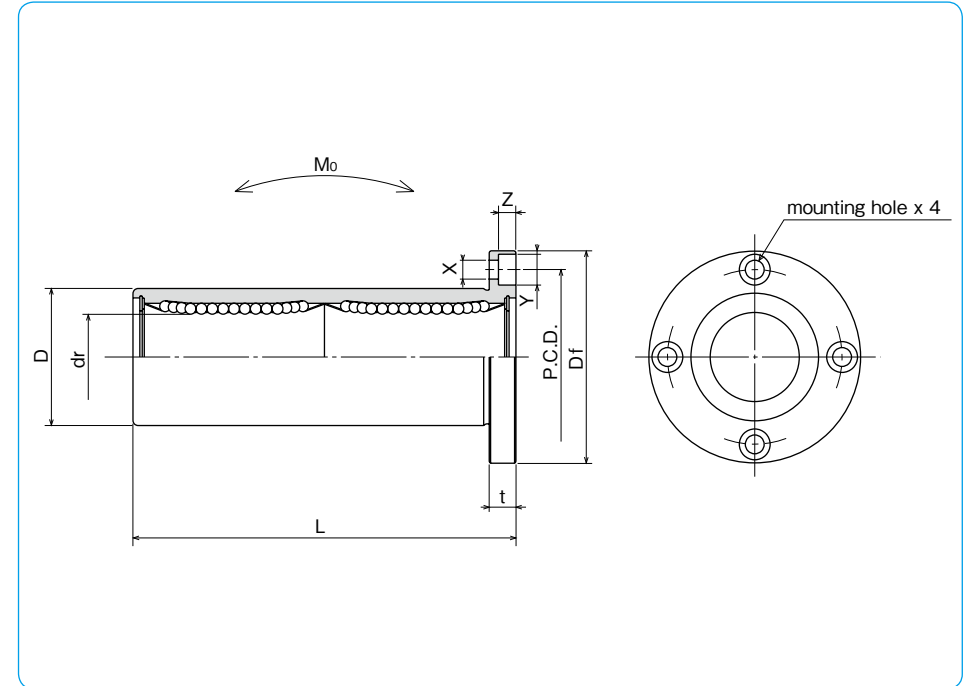
– Round Flange Double-Wide Type –



part number structure

example **SMSF 25 G W UU-SK**

specification SMF: standard SMSF: anti-corrosion	inner contact diameter (dr)	retainer material blank: standard/steel anti-corrosion/stainless steel G: resin	outer cylinder surface treatment blank: no surface treatment SK: electroless nickel plating LF: low temperature black chrome treatment with fluoride coating SB: black oxide (not available on anti-corrosion type) SC: industrial chrome plating	seal blank: without seal UU: seals on both sides	double-wide type
--	-----------------------------	--	--	--	------------------



part number				number of ball circuits	dr		major dimensions		
standard steel retainer	resin retainer	anti-corrosion stainless retainer	anti-corrosion resin retainer		mm	tolerance μm	D mm	tolerance μm	L ± 0.3 mm
SMF 6W	SMF 6GW	SMSF 6W	SMSF 6GW	4	6	0	12	0	35
SMF 8W	SMF 8GW	SMSF 8W	SMSF 8GW	4	8	0	15	-13	45
SMF10W	SMF10GW	SMSF10W	SMSF10GW	4	10	0	19	0	55
SMF12W	SMF12GW	SMSF12W	SMSF12GW	4	12	-10	21	0	57
SMF13W	SMF13GW	SMSF13W	SMSF13GW	4	13	0	23	-16	61
SMF16W	SMF16GW	SMSF16W	SMSF16GW	4	16	0	28	0	70
SMF20W	SMF20GW	SMSF20W	SMSF20GW	5	20	0	32	0	80
SMF25W	SMF25GW	SMSF25W	SMSF25GW	6	25	-12	40	-19	112
SMF30W	SMF30GW	SMSF30W	SMSF30GW	6	30	0	45	0	123
SMF35W	SMF35GW	SMSF35W	SMSF35GW	6	35	0	52	0	135
SMF40W	SMF40GW	SMSF40W	SMSF40GW	6	40	-15	60	-22	151
SMF50W	SMF50GW	SMSF50W	SMSF50GW	6	50	0	80	0	192
SMF60W	SMF60GW	SMSF60W	SMSF60GW	6	60	0/-20	90	0/-25	209

Df mm	t mm	flange P.C.D. mm	X × Y × Z mm	eccentricity μm	perpendicularity μm	basic load rating		allowable static moment M_o N · m	mass g	shaft diameter mm
						dynamic C N	static C_o N			
28	5	20	3.5 × 6 × 3.1	15	15	323	530	2.18	31	6
32	5	24	3.5 × 6 × 3.1			431	784	4.31	51	8
40	6	29	4.5 × 7.5 × 4.1			588	1,100	7.24	98	10
42	6	32	4.5 × 7.5 × 4.1			813	1,570	10.9	110	12
43	6	33	4.5 × 7.5 × 4.1			813	1,570	11.6	130	13
48	6	38	4.5 × 7.5 × 4.1			1,230	2,350	19.7	190	16
54	8	43	5.5 × 9 × 5.1	20	20	1,400	2,740	26.8	260	20
62	8	51	5.5 × 9 × 5.1			1,560	3,140	43.4	540	25
74	10	60	6.6 × 11 × 6.1			2,490	5,490	82.8	680	30
82	10	67	6.6 × 11 × 6.1			2,650	6,270	110	1,020	35
96	13	78	9 × 14 × 8.1	25	25	3,430	8,040	147	1,570	40
116	13	98	9 × 14 × 8.1			6,080	15,900	397	3,600	50
134	18	112	11 × 17 × 11.1			7,550	20,000	530	4,500	60

1N \approx 0.102kgf 1N · m \approx 0.102kgf · m

SMK-W TYPE

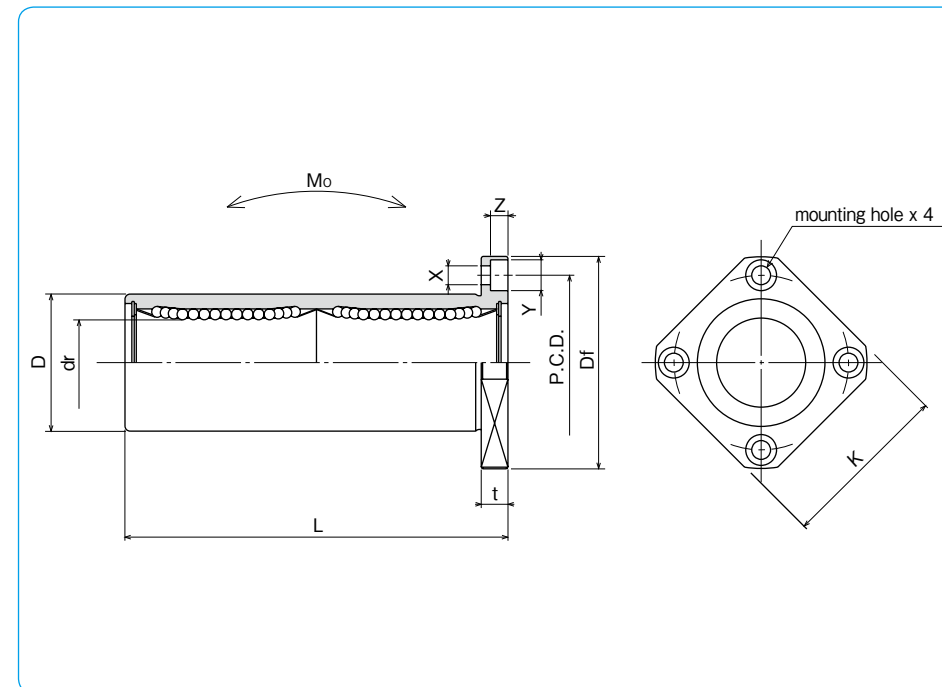
– Square Flange Double-Wide Type –



part number structure

example **SMSK 25 G W UU -SK**

specification SMK: standard SMSK: anti-corrosion	outer cylinder surface treatment blank: no surface treatment SK: electroless nickel plating LF: low temperature black chrome treatment with fluoride coating SB: black oxide (not available on anti-corrosion type) SC: industrial chrome plating
inner contact diameter (dr)	seal blank: without seal UU: seals on both sides
retainer material blank: standard/steel anti-corrosion/stainless steel G: resin	double-wide type



part number				number of ball circuits	major dimensions			
standard		anti-corrosion			dr	D	L	
steel retainer	resin retainer	stainless retainer	resin retainer	mm	tolerance μm	mm	tolerance μm	± 0.3 mm
SMK 6W	SMK 6GW	SMSK 6W	SMSK 6GW	4	6	12	0	35
SMK 8W	SMK 8GW	SMSK 8W	SMSK 8GW	4	8	15	-13	45
SMK 10W	SMK 10GW	SMSK 10W	SMSK 10GW	4	10	19	0	55
SMK 12W	SMK 12GW	SMSK 12W	SMSK 12GW	4	12	21	0	57
SMK 13W	SMK 13GW	SMSK 13W	SMSK 13GW	4	13	23	-16	61
SMK 16W	SMK 16GW	SMSK 16W	SMSK 16GW	4	16	28	0	70
SMK 20W	SMK 20GW	SMSK 20W	SMSK 20GW	5	20	32	0	80
SMK 25W	SMK 25GW	SMSK 25W	SMSK 25GW	6	25	40	-19	112
SMK 30W	SMK 30GW	SMSK 30W	SMSK 30GW	6	30	45	0	123
SMK 35W	SMK 35GW	SMSK 35W	SMSK 35GW	6	35	52	0	135
SMK 40W	SMK 40GW	SMSK 40W	SMSK 40GW	6	40	60	0	151
SMK 50W	SMK 50GW	SMSK 50W	SMSK 50GW	6	50	80	-22	192
SMK 60W	SMK 60GW	SMSK 60W	SMSK 60GW	6	60	90	0/-25	209

Df mm	K mm	flange			eccentricity μm	perpendicularity μm	basic load rating		allowable static moment M_o N · m	mass g	shaft diameter mm
		t mm	P.C.D. mm	X × Y × Z mm			dynamic C N	static Co N			
28	22	5	20	3.5 × 6 × 3.1	15	15	323	530	2.18	25	6
32	25	5	24	3.5 × 6 × 3.1			431	784	4.31	43	8
40	30	6	29	4.5 × 7.5 × 4.1			588	1,100	7.24	78	10
42	32	6	32	4.5 × 7.5 × 4.1			813	1,570	10.9	90	12
43	34	6	33	4.5 × 7.5 × 4.1			813	1,570	11.6	108	13
48	37	6	38	4.5 × 7.5 × 4.1			1,230	2,350	19.7	165	16
54	42	8	43	5.5 × 9 × 5.1	20	20	1,400	2,740	26.8	225	20
62	50	8	51	5.5 × 9 × 5.1			1,560	3,140	43.4	500	25
74	58	10	60	6.6 × 11 × 6.1			2,490	5,490	82.8	590	30
82	64	10	67	6.6 × 11 × 6.1			2,650	6,270	110	930	35
96	75	13	78	9 × 14 × 8.1	25	25	3,430	8,040	147	1,380	40
116	92	13	98	9 × 14 × 8.1			6,080	15,900	397	3,400	50
134	106	18	112	11 × 17 × 11.1			7,550	20,000	530	4,060	60

1N \approx 0.102kgf 1N · m \approx 0.102kgf · m

SMT-W TYPE

– Two Side Cut Double-Wide Flange Type –



part number structure

example **SMST 25 G W UU -SK**

specification
SMT: standard
SMST: anti-corrosion

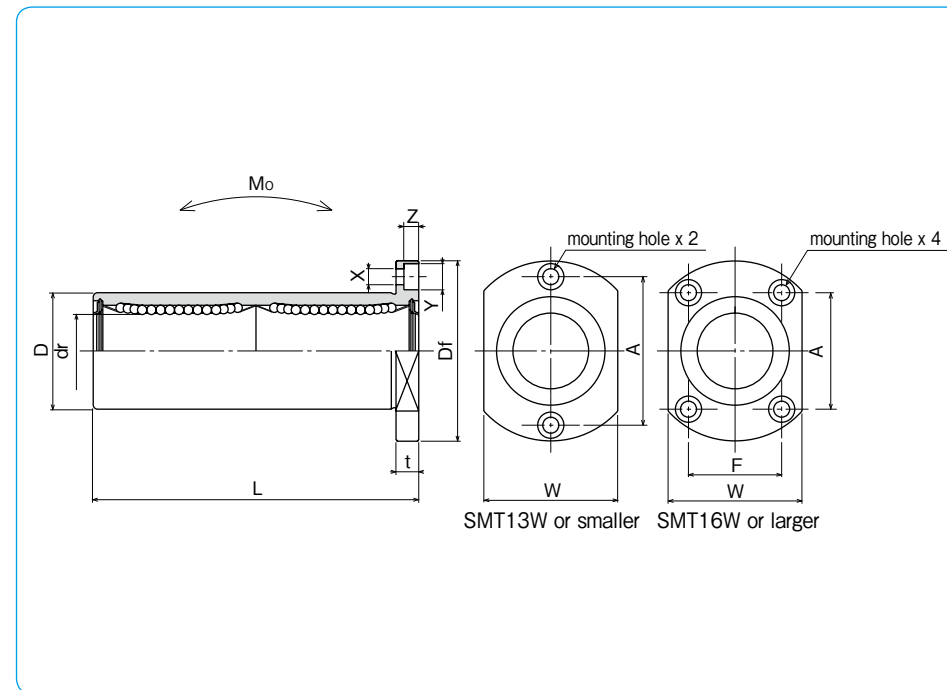
inner contact diameter (dr)

retainer material
blank: standard/steel
 anti-corrosion/stainless steel
G: resin

outer cylinder surface treatment
blank: no surface treatment
SK: electroless nickel plating
LF: low temperature black chrome treatment with fluoride coating
SB: black oxide (not available on anti-corrosion type)
SC: industrial chrome plating

seals on both sides

double-wide type



part number*				number of ball circuits	dr		major dimensions		
standard steel retainer	resin retainer	anti-corrosion stainless retainer	anti-corrosion resin retainer		mm	tolerance μm	D mm	tolerance μm	L ± 0.3 mm
SMT 6WUU	SMT 6GWUU	SMST 6WUU	SMST 6GWUU	4	6	12	0	35	
SMT 8WUU	SMT 8GWUU	SMST 8WUU	SMST 8GWUU	4	8	15	-13	45	
SMT10WUU	SMT10GWUU	SMST10WUU	SMST10GWUU	4	10	19	0	55	
SMT12WUU	SMT12GWUU	SMST12WUU	SMST12GWUU	4	12	21	0	57	
SMT13WUU	SMT13GWUU	SMST13WUU	SMST13GWUU	4	13	23	-16	61	
SMT16WUU	SMT16GWUU	SMST16WUU	SMST16GWUU	4	16	28		70	
SMT20WUU	SMT20GWUU	SMST20WUU	SMST20GWUU	5	20	32	0	80	
SMT25WUU	SMT25GWUU	SMST25WUU	SMST25GWUU	6	25	40	-19	112	
SMT30WUU	SMT30GWUU	SMST30WUU	SMST30GWUU	6	30	45		123	

* UU type is standard.

Df mm	W mm	t mm	flange			X×Y×Z mm	eccentricity μm	perpendicularity μm	basic load rating		allowable static moment $\text{N} \cdot \text{m}$	mass g	shaft diameter mm
			A mm	F mm	C N				Co N				
28	18	5	20	—	3.5×6×3.1	15	15	323	530	2.18	28	6	
32	21	5	24	—	3.5×6×3.1			431	784	4.31	47	8	
40	25	6	29	—	4.5×7.5×4.1			588	1,100	7.24	90	10	
42	27	6	32	—	4.5×7.5×4.1			813	1,570	10.9	102	12	
43	29	6	33	—	4.5×7.5×4.1			813	1,570	11.6	123	13	
48	34	6	31	22	4.5×7.5×4.1			1,230	2,350	19.7	182	16	
54	38	8	36	24	5.5×9×5.1	20	20	1,400	2,740	26.8	247	20	
62	46	8	40	32	5.5×9×5.1			1,560	3,140	43.4	525	25	
74	51	10	49	35	6.6×11×6.1			2,490	5,490	82.8	645	30	

1N \div 0.102kgf 1N \cdot m \div 0.102kgf \cdot m

SMFC TYPE

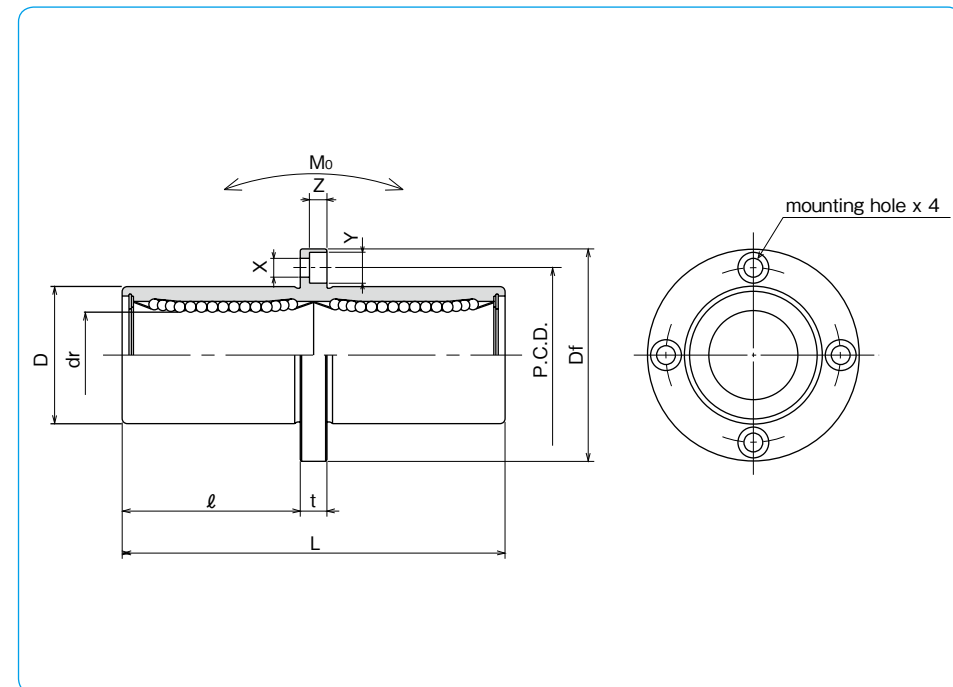
– Center Mount Round Flange Type –



part number structure

example **SMSFC 25 G UU -SK**

specification SMFC: standard SMSFC: anti-corrosion	outer cylinder surface treatment blank: no surface treatment SK: electroless nickel plating LF: low temperature black chrome treatment with fluoride coating SB: black oxide (not available on anti-corrosion type) SC: industrial chrome plating
inner contact diameter (dr)	seal blank: without seal UU: seals on both sides
retainer material blank: standard/steel G: resin	



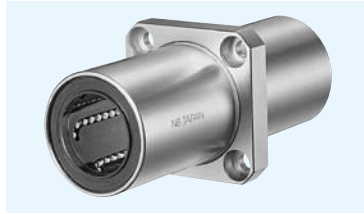
part number				number of ball circuits	major dimensions			
standard steel retainer	anti-corrosion resin retainer	stainless steel retainer	resin retainer		dr mm	D mm	L mm	
				mm	tolerance μm	tolerance μm	± 0.3 mm	
SMFC 6	SMFC 6G	SMSFC 6	SMSFC 6G	4	6	12	0	35
SMFC 8	SMFC 8G	SMSFC 8	SMSFC 8G	4	8	15	-13	45
SMFC10	SMFC10G	SMSFC10	SMSFC10G	4	10	19	0	55
SMFC12	SMFC12G	SMSFC12	SMSFC12G	4	12	21	0	57
SMFC13	SMFC13G	SMSFC13	SMSFC13G	4	13	23	-16	61
SMFC16	SMFC16G	SMSFC16	SMSFC16G	4	16	28		70
SMFC20	SMFC20G	SMSFC20	SMSFC20G	5	20	32	0	80
SMFC25	SMFC25G	SMSFC25	SMSFC25G	6	25	40	-19	112
SMFC30	SMFC30G	SMSFC30	SMSFC30G	6	30	45		123
SMFC35	SMFC35G	SMSFC35	SMSFC35G	6	35	52	0	135
SMFC40	SMFC40G	SMSFC40	SMSFC40G	6	40	60	0	151
SMFC50	SMFC50G	SMSFC50	SMSFC50G	6	50	80	-22	192
SMFC60	SMFC60G	SMSFC60	SMSFC60G	6	60	90	0/-25	209

ℓ mm	D_f mm	flange			eccentricity μm	perpendicularity μm	basic load rating		allowable static moment M_o N·m	mass g	shaft diameter mm
		t mm	P.C.D. mm	X×Y×Z mm			dynamic C N	static Co N			
15	28	5	20	3.5×6×3.1	15	15	323	530	2.18	31	6
20	32	5	24	3.5×6×3.1			431	784	4.31	51	8
24.5	40	6	29	4.5×7.5×4.1			588	1,100	7.24	98	10
25.5	42	6	32	4.5×7.5×4.1			813	1,570	10.9	110	12
27.5	43	6	33	4.5×7.5×4.1			813	1,570	11.6	130	13
32	48	6	38	4.5×7.5×4.1			1,230	2,350	19.7	190	16
36	54	8	43	5.5×9×5.1	20	20	1,400	2,740	26.8	260	20
52	62	8	51	5.5×9×5.1			1,560	3,140	43.4	540	25
56.5	74	10	60	6.6×11×6.1			2,490	5,490	82.8	680	30
62.5	82	10	67	6.6×11×6.1	25	25	2,650	6,270	110	1,020	35
69	96	13	78	9×14×8.1			3,430	8,040	147	1,570	40
89.5	116	13	98	9×14×8.1			6,080	15,900	397	3,600	50
95.5	134	18	112	11×17×11.1	30	30	7,550	20,000	530	4,500	60

1N \approx 0.102kgf 1N·m \approx 0.102kgf·m

SMKC TYPE

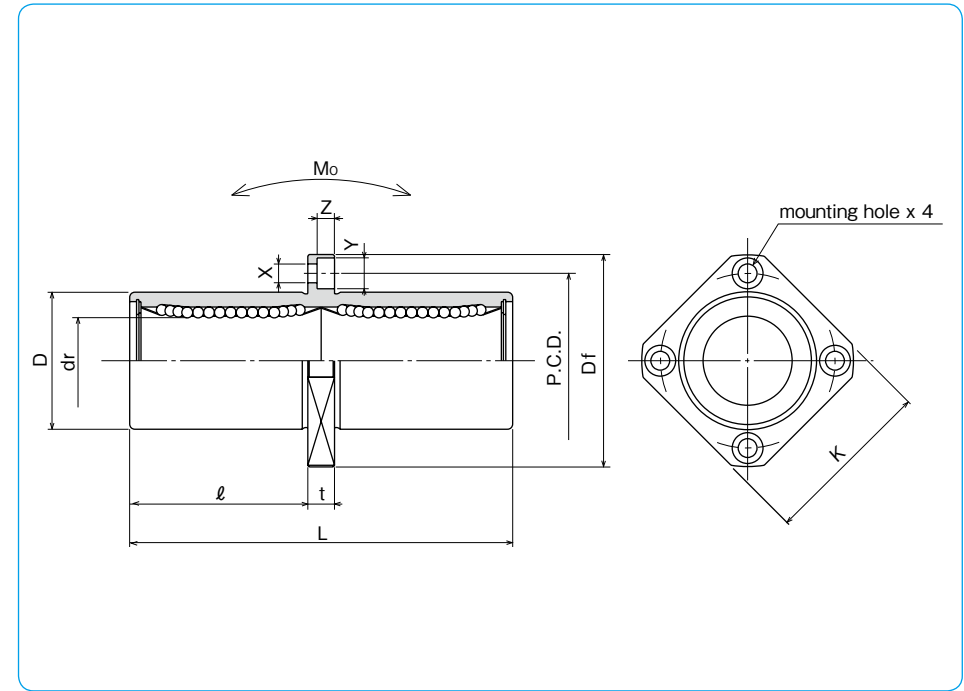
– Center Mount Square Flange Type –



part number structure

example **SMSKC 25 G UU -SK**

specification SMKC: standard SMSKC: anti-corrosion	outer cylinder surface treatment blank: no surface treatment SK: electroless nickel plating LF: low temperature black chrome treatment with fluoride coating SB: black oxide (not available on anti-corrosion type) SC: industrial chrome plating
inner contact diameter (dr)	seal blank: without seal UU: seals on both sides
retainer material blank: standard/steel anti-corrosion/stainless steel G: resin	



part number				number of ball circuits	major dimensions		
standard steel retainer	anti-corrosion resin retainer	stainless steel retainer	resin retainer		dr mm	D mm	L mm
					tolerance μm	tolerance μm	± 0.3 mm
SMKC 6	SMKC 6G	SMSKC 6	SMSKC 6G	4	6	12	35
SMKC 8	SMKC 8G	SMSKC 8	SMSKC 8G	4	8	15	45
SMKC10	SMKC10G	SMSKC10	SMSKC10G	4	10	19	55
SMKC12	SMKC12G	SMSKC12	SMSKC12G	4	12	21	57
SMKC13	SMKC13G	SMSKC13	SMSKC13G	4	13	23	61
SMKC16	SMKC16G	SMSKC16	SMSKC16G	4	16	28	70
SMKC20	SMKC20G	SMSKC20	SMSKC20G	5	20	32	80
SMKC25	SMKC25G	SMSKC25	SMSKC25G	6	25	40	112
SMKC30	SMKC30G	SMSKC30	SMSKC30G	6	30	45	123
SMKC35	SMKC35G	SMSKC35	SMSKC35G	6	35	52	135
SMKC40	SMKC40G	SMSKC40	SMSKC40G	6	40	60	151
SMKC50	SMKC50G	SMSKC50	SMSKC50G	6	50	80	192
SMKC60	SMKC60G	SMSKC60	SMSKC60G	6	60	90	209

l mm	Df mm	flange			eccentricity μm	perpendicularity μm	basic load rating		allowable static moment $N \cdot m$	mass g	shaft diameter mm	
		K mm	t mm	P.C.D. mm			X × Y × Z mm	dynamic C N				static Co N
15	28	22	5	20	3.5 × 6 × 3.1	15	15	323	530	2.18	25	6
20	32	25	5	24	3.5 × 6 × 3.1			431	784	4.31	43	8
24.5	40	30	6	29	4.5 × 7.5 × 4.1			588	1,100	7.24	78	10
25.5	42	32	6	32	4.5 × 7.5 × 4.1			813	1,570	10.9	90	12
27.5	43	34	6	33	4.5 × 7.5 × 4.1			813	1,570	11.6	108	13
32	48	37	6	38	4.5 × 7.5 × 4.1	20	20	1,230	2,350	19.7	165	16
36	54	42	8	43	5.5 × 9 × 5.1			1,400	2,740	26.8	225	20
52	62	50	8	51	5.5 × 9 × 5.1			1,560	3,140	43.4	500	25
56.5	74	58	10	60	6.6 × 11 × 6.1			2,490	5,490	82.8	590	30
62.5	82	64	10	67	6.6 × 11 × 6.1			2,650	6,270	110	930	35
69	96	75	13	78	9 × 14 × 8.1	25	25	3,430	8,040	147	1,380	40
89.5	116	92	13	98	9 × 14 × 8.1			6,080	15,900	397	3,400	50
95.5	134	106	18	112	11 × 17 × 11.1			7,550	20,000	530	4,060	60

1N \approx 0.102kgf 1N · m \approx 0.102kgf · m

SMTC TYPE

– Two Side Cut Center Flange Type –



part number structure

example **SMSTC 25 G UU -SK**

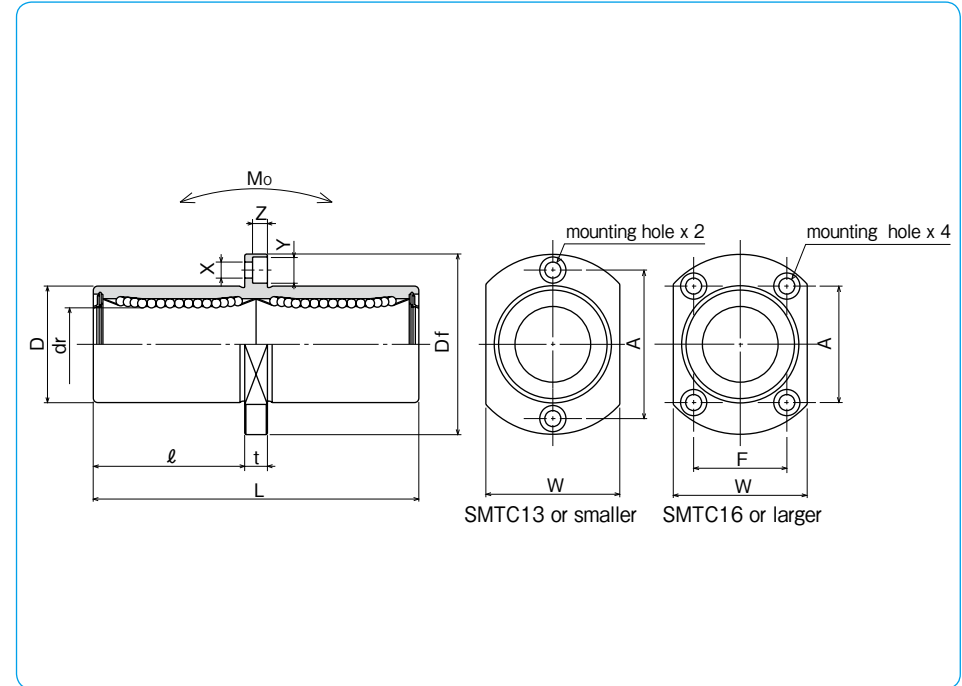
specification
SMTC: standard
SMSTC: anti-corrosion

inner contact diameter (dr)

retainer material
blank: standard/steel
 anti-corrosion/stainless steel
G: resin

outer cylinder
 surface treatment
blank: no surface treatment
SK: electroless nickel plating
LF: low temperature black chrome
 treatment with fluoride coating
SB: black oxide (not available on
 anti-corrosion type)
SC: industrial chrome plating

seals on both sides



part number*				number of ball circuits	major dimensions			
standard	anti-corrosion	dr	D		L			
steel retainer	resin retainer			stainless retainer		resin retainer	mm	tolerance μm
SMTC 6UU	SMTC 6GUU	SMSTC 6UU	SMSTC 6GUU	4	6	12	0	35
SMTC 8UU	SMTC 8GUU	SMSTC 8UU	SMSTC 8GUU	4	8	15	-13	45
SMTC10UU	SMTC10GUU	SMSTC10UU	SMSTC10GUU	4	10	19	0	55
SMTC12UU	SMTC12GUU	SMSTC12UU	SMSTC12GUU	4	12	21	0	57
SMTC13UU	SMTC13GUU	SMSTC13UU	SMSTC13GUU	4	13	23	-16	61
SMTC16UU	SMTC16GUU	SMSTC16UU	SMSTC16GUU	4	16	28	0	70
SMTC20UU	SMTC20GUU	SMSTC20UU	SMSTC20GUU	5	20	32	0	80
SMTC25UU	SMTC25GUU	SMSTC25UU	SMSTC25GUU	6	25	40	-19	112
SMTC30UU	SMTC30GUU	SMSTC30UU	SMSTC30GUU	6	30	45	0	123

* UU type is standard.

l mm	D_f mm	W mm	t mm	A mm	F mm	X×Y×Z mm	eccentricity μm	perpendicularity μm	basic load rating		allowable static moment N·m	mass g	shaft diameter mm
									dynamic C N	static Co N			
15	28	18	5	20	—	3.5×6×3.1	15	15	323	530	2.18	28	6
20	32	21	5	24	—	3.5×6×3.1			431	784	4.31	47	8
24.5	40	25	6	29	—	4.5×7.5×4.1			588	1,100	7.24	90	10
25.5	42	27	6	32	—	4.5×7.5×4.1			813	1,570	10.9	102	12
27.5	43	29	6	33	—	4.5×7.5×4.1			813	1,570	11.6	123	13
32	48	34	6	31	22	4.5×7.5×4.1			1,230	2,350	19.7	182	16
36	54	38	8	36	24	5.5×9×5.1	20	20	1,400	2,740	26.8	247	20
52	62	46	8	40	32	5.5×9×5.1			1,560	3,140	43.4	525	25
56.5	74	51	10	49	35	6.6×11×6.1			2,490	5,490	82.8	645	30

1N \approx 0.102kgf 1N·m \approx 0.102kgf·m

SMF-W-E TYPE

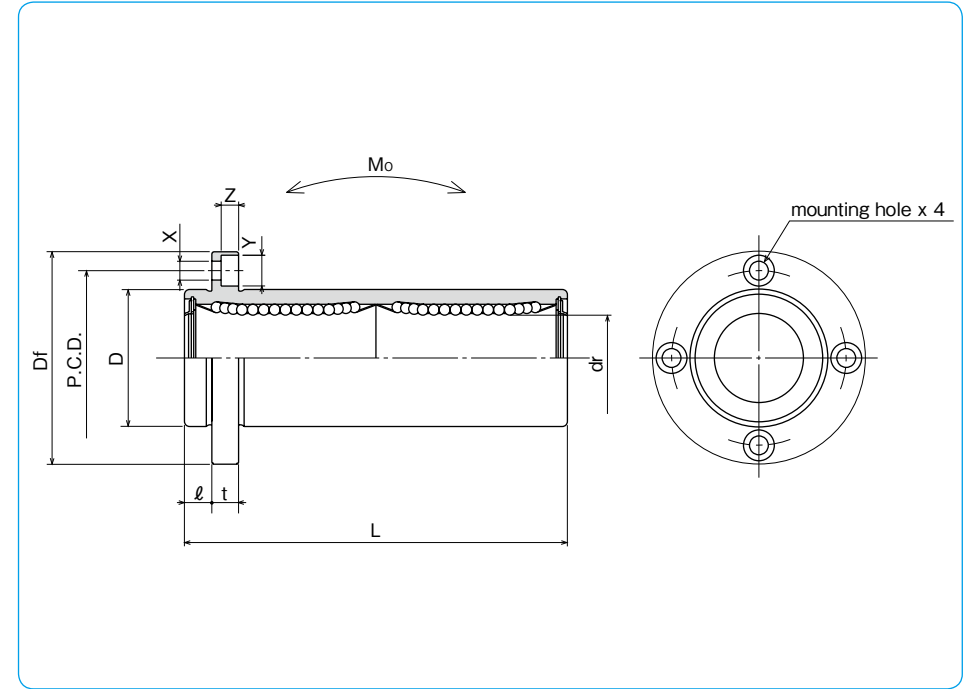
— Round Flange Double-Wide Pilot End Type —



part number structure

example **SMSF 25 G W UU - E - SK**

specification SMF : standard SMSF : anti-corrosion	outer cylinder surface treatment blank : no surface treatment SK : electroless nickel plating LF : low temperature black chrome treatment with fluoride coating SB : black oxide (not available on anti-corrosion type) SC : industrial chrome plating
inner contact diameter (dr)	
retainer material blank : standard/steel anti-corrosion/stainless steel G : resin	with pilot end
double-wide type	seals on both sides



part number*				number of ball circuits	dr		major dimensions		
standard	anti-corrosion	number of ball circuits	tolerance		D	L	tolerance	±0.3	
steel retainer	resin retainer	stainless retainer	resin retainer	mm	μm	mm	μm	mm	
SMF 6WUU-E	SMF 6GWUU-E	SMSF 6WUU-E	SMSF 6GWUU-E	4	6	12	0	35	
SMF 8WUU-E	SMF 8GWUU-E	SMSF 8WUU-E	SMSF 8GWUU-E	4	8	15	-13	45	
SMF 10WUU-E	SMF 10GWUU-E	SMSF 10WUU-E	SMSF 10GWUU-E	4	10	19	0	55	
SMF 12WUU-E	SMF 12GWUU-E	SMSF 12WUU-E	SMSF 12GWUU-E	4	12	21	0	57	
SMF 13WUU-E	SMF 13GWUU-E	SMSF 13WUU-E	SMSF 13GWUU-E	4	13	23	-16	61	
SMF 16WUU-E	SMF 16GWUU-E	SMSF 16WUU-E	SMSF 16GWUU-E	4	16	28		70	
SMF 20WUU-E	SMF 20GWUU-E	SMSF 20WUU-E	SMSF 20GWUU-E	5	20	32	0	80	
SMF 25WUU-E	SMF 25GWUU-E	SMSF 25WUU-E	SMSF 25GWUU-E	6	25	40	-19	112	
SMF 30WUU-E	SMF 30GWUU-E	SMSF 30WUU-E	SMSF 30GWUU-E	6	30	45		123	
SMF 35WUU-E	SMF 35GWUU-E	—	—	6	35	52	0	135	
SMF 40WUU-E	SMF 40GWUU-E	—	—	6	40	60	0	151	
SMF 50WUU-E	SMF 50GWUU-E	—	—	6	50	80	-22	192	
SMF 60WUU-E	SMF 60GWUU-E	—	—	6	60	90	0/-25	209	

* UU type is standard.

l mm	Df mm	flange			eccentricity μm	perpendicularity μm	basic load rating			allowable static moment Mo N·m	mass g	shaft diameter mm
		t mm	P.C.D. mm	X×Y×Z mm			dynamic C N	static Co N				
5	28	5	20	3.5×6×3.1	15	15	323	530	2.18	31	6	
5	32	5	24	3.5×6×3.1			431	784	4.31	51	8	
6	40	6	29	4.5×7.5×4.1			588	1,100	7.24	98	10	
6	42	6	32	4.5×7.5×4.1			813	1,570	10.9	110	12	
6	43	6	33	4.5×7.5×4.1			813	1,570	11.6	130	13	
6	48	6	38	4.5×7.5×4.1			1,230	2,350	19.7	190	16	
8	54	8	43	5.5×9×5.1	20	20	1,400	2,740	26.8	260	20	
8	62	8	51	5.5×9×5.1			1,560	3,140	43.4	540	25	
10	74	10	60	6.6×11×6.1			2,490	5,490	82.8	680	30	
10	82	10	67	6.6×11×6.1	25	25	2,650	6,270	110	1,020	35	
13	96	13	78	9×14×8.1			3,430	8,040	147	1,570	40	
13	116	13	98	9×14×8.1			6,080	15,900	397	3,600	50	
18	134	18	112	11×17×11.1			7,550	20,000	530	4,500	60	

1N ≅ 0.102kgf 1N · m ≅ 0.102kgf · m

SMK-W-E TYPE

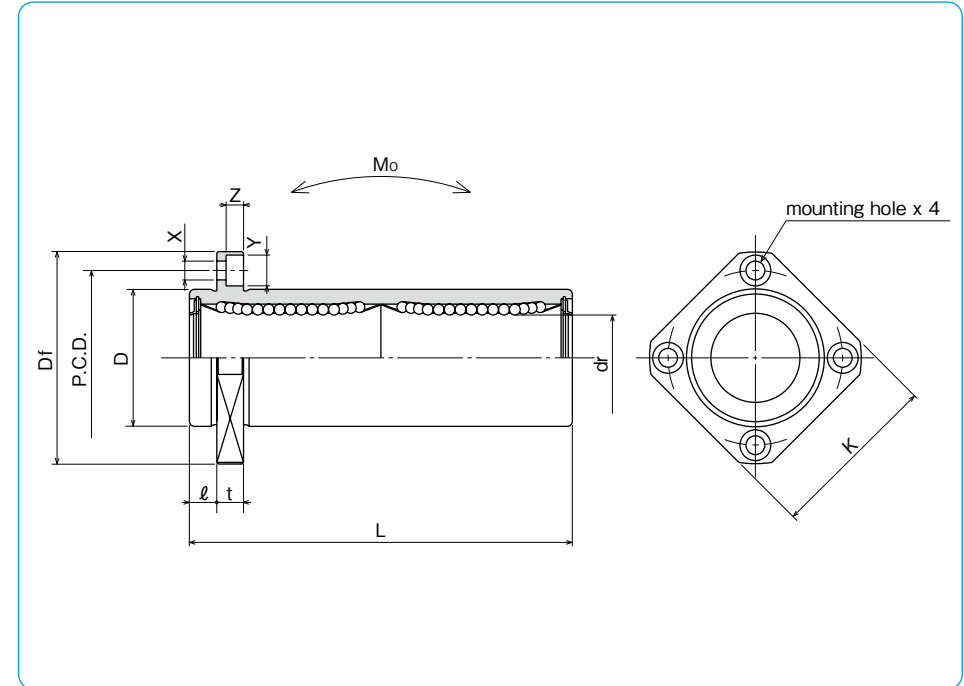
— Square Flange Double-Wide Pilot End Type —



part number structure

example **SMSK 25 G W UU - E - SK**

specification SMK : standard SMSK : anti-corrosion	outer cylinder surface treatment blank : no surface treatment SK : electroless nickel plating LF : low temperature black chrome treatment with fluoride coating SB : black oxide (not available on anti-corrosion type) SC : industrial chrome plating
inner contact diameter (dr)	
retainer material blank : standard/steel anti-corrosion/stainless steel G : resin	with pilot end
double-wide type	seals on both sides



part number*				number of ball circuits	major dimensions		
standard steel retainer	standard resin retainer	anti-corrosion stainless retainer	anti-corrosion resin retainer		dr mm	D mm	L mm
					tolerance μm	tolerance μm	±0.3 mm
SMK 6WUU-E	SMK 6GWUU-E	SMSK 6WUU-E	SMSK 6GWUU-E	4	6	12	35
SMK 8WUU-E	SMK 8GWUU-E	SMSK 8WUU-E	SMSK 8GWUU-E	4	8	15	45
SMK 10WUU-E	SMK 10GWUU-E	SMSK 10WUU-E	SMSK 10GWUU-E	4	10	19	55
SMK 12WUU-E	SMK 12GWUU-E	SMSK 12WUU-E	SMSK 12GWUU-E	4	12	21	57
SMK 13WUU-E	SMK 13GWUU-E	SMSK 13WUU-E	SMSK 13GWUU-E	4	13	23	61
SMK 16WUU-E	SMK 16GWUU-E	SMSK 16WUU-E	SMSK 16GWUU-E	4	16	28	70
SMK 20WUU-E	SMK 20GWUU-E	SMSK 20WUU-E	SMSK 20GWUU-E	5	20	32	80
SMK 25WUU-E	SMK 25GWUU-E	SMSK 25WUU-E	SMSK 25GWUU-E	6	25	40	112
SMK 30WUU-E	SMK 30GWUU-E	SMSK 30WUU-E	SMSK 30GWUU-E	6	30	45	123
SMK 35WUU-E	SMK 35GWUU-E	—	—	6	35	52	135
SMK 40WUU-E	SMK 40GWUU-E	—	—	6	40	60	151
SMK 50WUU-E	SMK 50GWUU-E	—	—	6	50	80	192
SMK 60WUU-E	SMK 60GWUU-E	—	—	6	60	90	209

* UU type is standard.

l mm	Df mm	flange			P.C.D. mm	X×Y×Z mm	eccentricity μm	perpendicularity μm	basic load rating		allowable static moment Mo N·m	mass g	shaft diameter mm
		K mm	t mm	C N					Co N				
5	28	22	5	20	3.5×6×3.1	15	15	323	530	2.18	25	6	
5	32	25	5	24	3.5×6×3.1			431	784	4.31	43	8	
6	40	30	6	29	4.5×7.5×4.1			588	1,100	7.24	78	10	
6	42	32	6	32	4.5×7.5×4.1			813	1,570	10.9	90	12	
6	43	34	6	33	4.5×7.5×4.1			813	1,570	11.6	108	13	
6	48	37	6	38	4.5×7.5×4.1			1,230	2,350	19.7	165	16	
8	54	42	8	43	5.5×9×5.1	20	20	1,400	2,740	26.8	225	20	
8	62	50	8	51	5.5×9×5.1			1,560	3,140	43.4	500	25	
10	74	58	10	60	6.6×11×6.1			2,490	5,490	82.8	590	30	
10	82	64	10	67	6.6×11×6.1			2,650	6,270	110	930	35	
13	96	75	13	78	9×14×8.1			3,430	8,040	147	1,380	40	
13	116	92	13	98	9×14×8.1			6,080	15,900	397	3,400	50	
18	134	106	18	112	11×17×11.1	30	30	7,550	20,000	530	4,060	60	

1N ≅ 0.102kgf 1N · m ≅ 0.102kgf · m

SMT-W-E TYPE

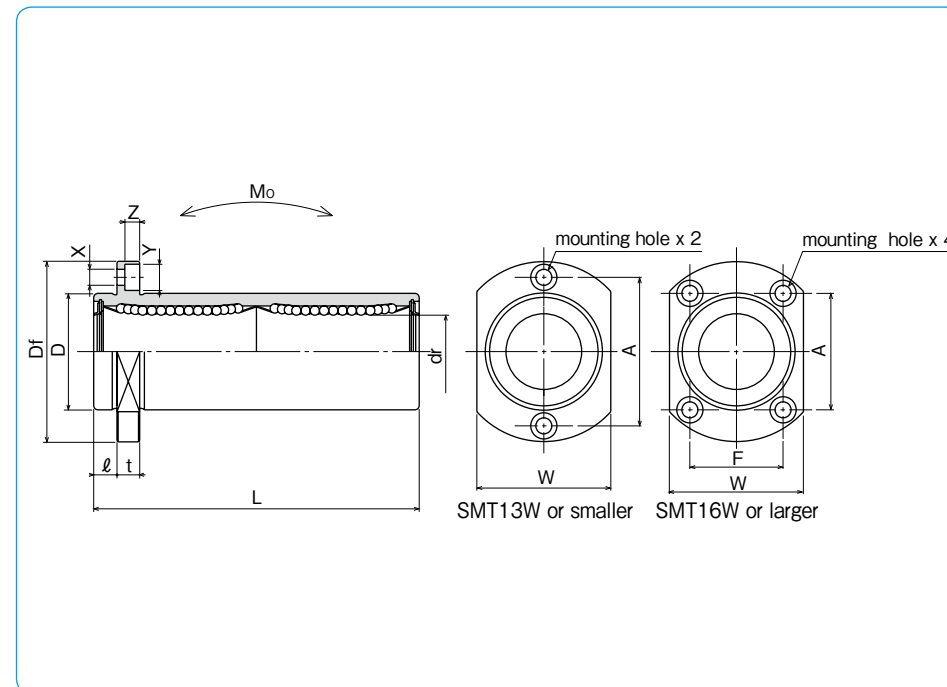
— Two Side Cut Double-Wide Flange Pilot End Type —



part number structure

example **SMST 25 G W UU - E - SK**

specification SMT : standard SMST : anti-corrosion	outer cylinder surface treatment blank : no surface treatment SK : electroless nickel plating LF : low temperature black chrome treatment with fluoride coating SB : black oxide (not available on anti-corrosion type) SC : industrial chrome plating
inner contact diameter (dr)	with pilot end
retainer material blank : standard/steel anti-corrosion/stainless steel G : resin	seals on both sides
double-wide type	



part number*				number of ball circuits	dr		major dimensions		
standard steel retainer	standard resin retainer	anti-corrosion stainless retainer	anti-corrosion resin retainer		mm	tolerance μm	D mm	tolerance μm	L ± 0.3 mm
SMT 6WUU-E	SMT 6GWUU-E	SMST 6WUU-E	SMST 6GWUU-E	4	6	12	0	35	
SMT 8WUU-E	SMT 8GWUU-E	SMST 8WUU-E	SMST 8GWUU-E	4	8	15	-13	45	
SMT 10WUU-E	SMT 10GWUU-E	SMST 10WUU-E	SMST 10GWUU-E	4	10	19	0	55	
SMT 12WUU-E	SMT 12GWUU-E	SMST 12WUU-E	SMST 12GWUU-E	4	12	21	0	57	
SMT 13WUU-E	SMT 13GWUU-E	SMST 13WUU-E	SMST 13GWUU-E	4	13	23	-16	61	
SMT 16WUU-E	SMT 16GWUU-E	SMST 16WUU-E	SMST 16GWUU-E	4	16	28	0	70	
SMT 20WUU-E	SMT 20GWUU-E	SMST 20WUU-E	SMST 20GWUU-E	5	20	32	0	80	
SMT 25WUU-E	SMT 25GWUU-E	SMST 25WUU-E	SMST 25GWUU-E	6	25	40	-19	112	
SMT 30WUU-E	SMT 30GWUU-E	SMST 30WUU-E	SMST 30GWUU-E	6	30	45	0	123	

* UU type is standard.

l mm	D_f mm	W mm	t mm	A mm	F mm	X × Y × Z mm	eccentricity μm	perpendicularity μm	basic load rating		allowable static moment $\text{N} \cdot \text{m}$	mass g	shaft diameter mm
									dynamic C N	static Co N			
5	28	18	5	20	—	3.5 × 6 × 3.1	15	15	323	530	2.18	28	6
5	32	21	5	24	—	3.5 × 6 × 3.1			431	784	4.31	47	8
6	40	25	6	29	—	4.5 × 7.5 × 4.1			588	1,100	7.24	90	10
6	42	27	6	32	—	4.5 × 7.5 × 4.1			813	1,570	10.9	102	12
6	43	29	6	33	—	4.5 × 7.5 × 4.1			813	1,570	11.6	123	13
6	48	34	6	31	22	4.5 × 7.5 × 4.1			1,230	2,350	19.7	182	16
8	54	38	8	36	24	5.5 × 9 × 5.1	20	20	1,400	2,740	26.8	247	20
8	62	46	8	40	32	5.5 × 9 × 5.1			1,560	3,140	43.4	525	25
10	74	51	10	49	35	6.6 × 11 × 6.1			2,490	5,490	82.8	645	30

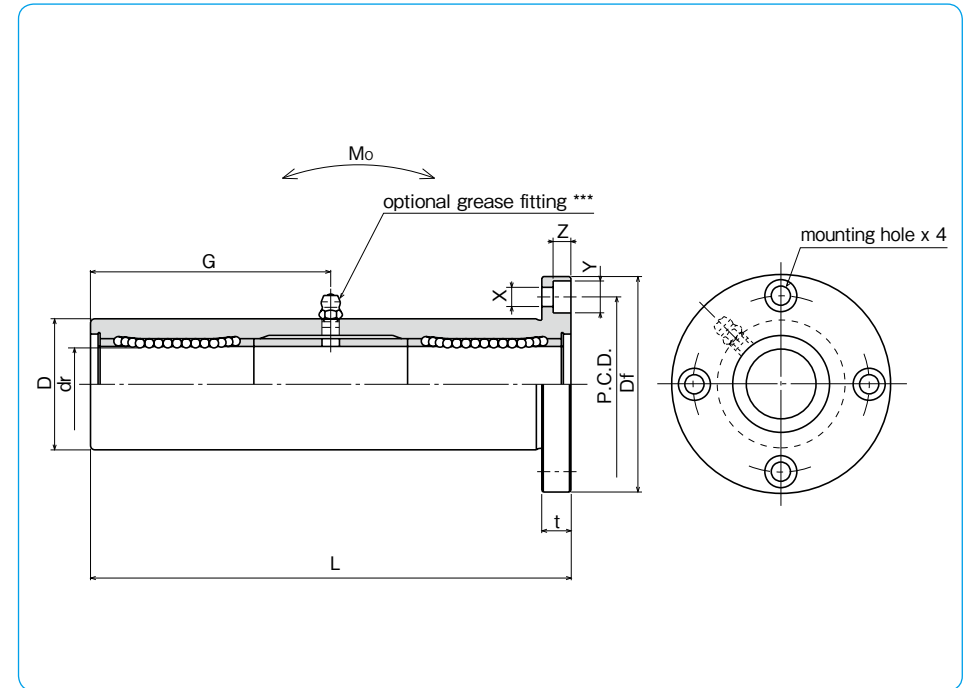
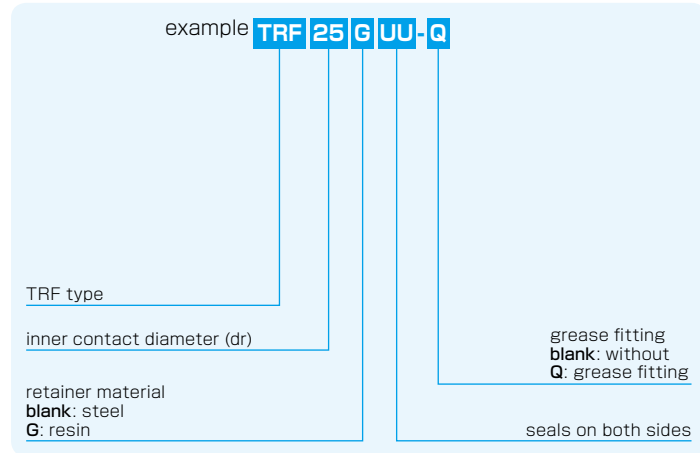
1N \div 0.102kgf 1N \cdot m \div 0.102kgf \cdot m

TRF TYPE

– Triple-Wide Round Flange Type –



part number structure



part number*		number of ball circuits	dr		major dimensions		
steel retainer	resin retainer		mm	tolerance μm	D mm	tolerance μm	L ± 0.3 mm
TRF 6UU	TRF 6GUU	4	6		15	0/-18	51
TRF 8UU	TRF 8GUU	4	8	0	19		66
TRF10UU	TRF10GUU	4	10	-12	23	0	80
TRF12UU	TRF12GUU	4	12		26	-21	84
TRF13UU	TRF13GUU	4	13	0	28		90
TRF16UU	TRF16GUU	4	16	-15	32	0	103
TRF20UU	TRF20GUU	5	20		40		118
TRF25UU	TRF25GUU	6	25	0	45	-25	165
TRF30UU	TRF30GUU	6	30	-18	52	0	182
TRF35UU	TRF35GUU	6	35		60	0	200
TRF40UU	TRF40GUU	6	40	0	65	-30	230
TRF50UU	TRF50GUU	6	50	-21	85	0	290
TRF60UU	TRF60GUU	6	60	0/-25	100	-35	310

* UU type is standard.

** Outer cylinder is treated with electroless nickel plating.

*** TRF6~8: A-M6x1 TRF10~30: A-M6F TRF35~60: A-R1/8

Df mm	t mm	flange P.C.D. mm	X×Y×Z mm	grease fitting G mm	eccentricity μm	perpendicularity μm	basic load rating		allowable static moment $\text{N} \cdot \text{m}$	mass g	shaft diameter mm
							dynamic C N	static Co N			
32	5	24	3.5×6×3.1	20.5	20	20	323	530	8.2	66	6
40	6	29	4.5×7.5×4.1	29			431	784	16.0	135	8
43	6	33	4.5×7.5×4.1	38			588	1,100	27.0	205	10
46	6	36	4.5×7.5×4.1	41			813	1,570	40.1	248	12
48	6	38	4.5×7.5×4.1	45			813	1,570	42.9	308	13
54	8	43	5.5×9×5.1	51	25	25	1,230	2,350	73.5	412	16
62	8	51	5.5×9×5.1	59			1,400	2,740	98.0	752	20
74	10	60	6.6×11×6.1	82.5			1,560	3,140	157	1,244	25
82	10	67	6.6×11×6.1	91			2,490	5,490	297	1,636	30
96	13	78	9×14×8.1	100			2,650	6,270	373	2,580	35
101	13	83	9×14×8.1	115	30	30	3,430	8,040	553	2,950	40
129	18	107	11×17×11.1	145			6,080	15,900	1,370	6,860	50
144	18	122	11×17×11.1	155			7,550	20,000	1,800	9,660	60

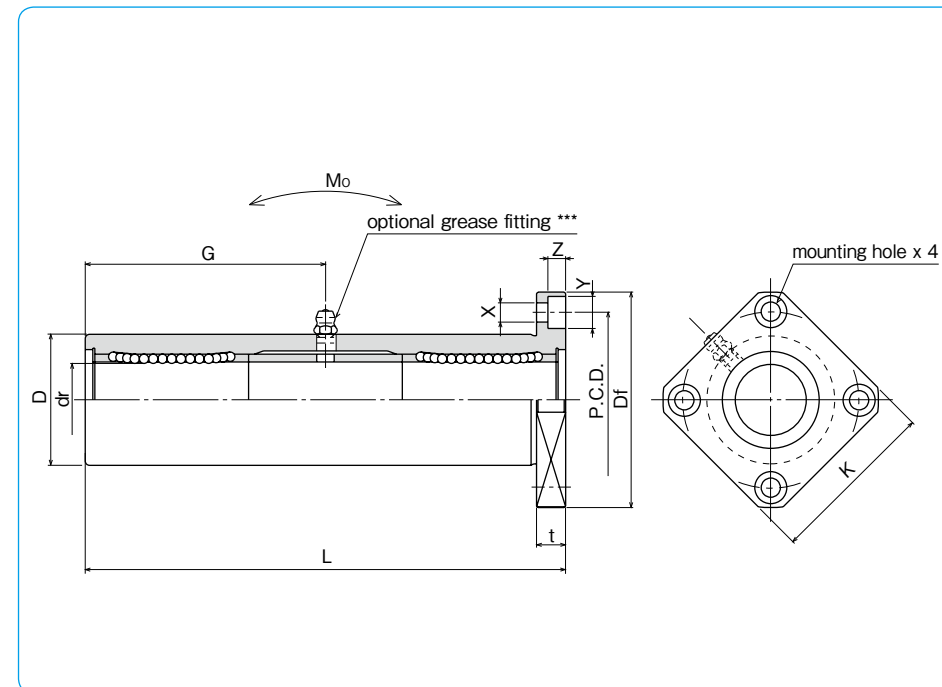
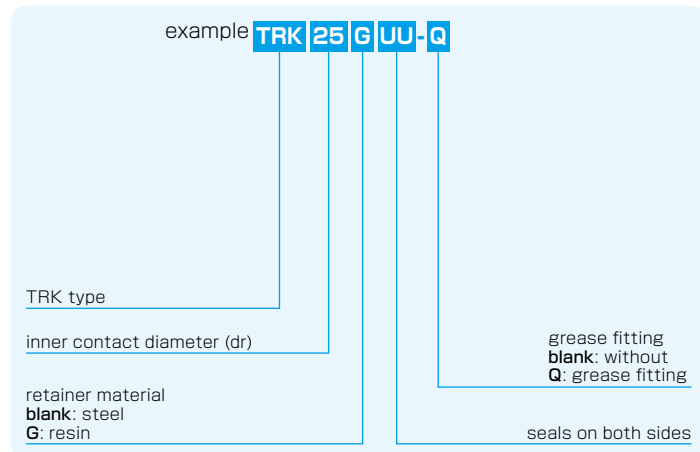
1N \approx 0.102kgf 1N · m \approx 0.102kgf · m

TRK TYPE

– Triple-Wide Square Flange Type –



part number structure



part number*		number of ball circuits	dr		major dimensions		
steel retainer	resin retainer		mm	tolerance μm	D mm	tolerance μm	L ± 0.3 mm
TRK 6UU	TRK 6GUU	4	6		15	0/-18	51
TRK 8UU	TRK 8GUU	4	8	0	19		66
TRK 10UU	TRK 10GUU	4	10	-12	23	0	80
TRK 12UU	TRK 12GUU	4	12		26	-21	84
TRK 13UU	TRK 13GUU	4	13	0	28		90
TRK 16UU	TRK 16GUU	4	16	-15	32		103
TRK 20UU	TRK 20GUU	5	20		40	0	118
TRK 25UU	TRK 25GUU	6	25	0	45	-25	165
TRK 30UU	TRK 30GUU	6	30	-18	52		182
TRK 35UU	TRK 35GUU	6	35		60	0	200
TRK 40UU	TRK 40GUU	6	40	0	65	-30	230
TRK 50UU	TRK 50GUU	6	50	-21	85	0	290
TRK 60UU	TRK 60GUU	6	60	0/-25	100	-35	310

* UU type is standard.

** Outer cylinder is treated with electroless nickel plating.

*** TRK6~8: A-M6x1 TRK10~30: A-M6F TRK35~60: A-R1/8

Df mm	K mm	flange			grease fitting G mm	eccentricity μm	perpendicularity μm	basic load rating		allowable static moment $\text{N} \cdot \text{m}$	mass g	shaft diameter mm
		t mm	P.C.D. mm	X×Y×Z mm				C N	Co N			
32	25	5	24	3.5×6×3.1	20.5	20	20	323	530	8.2	58	6
40	30	6	29	4.5×7.5×4.1	29			431	784	16.0	117	8
43	34	6	33	4.5×7.5×4.1	38			588	1,100	27.0	189	10
46	35	6	36	4.5×7.5×4.1	41			813	1,570	40.1	228	12
48	37	6	38	4.5×7.5×4.1	45			813	1,570	42.9	286	13
54	42	8	43	5.5×9×5.1	51	25	25	1,230	2,350	73.5	376	16
62	50	8	51	5.5×9×5.1	59			1,400	2,740	98.0	714	20
74	58	10	60	6.6×11×6.1	82.5			1,560	3,140	157	1,163	25
82	64	10	67	6.6×11×6.1	91			2,490	5,490	297	1,543	30
96	75	13	78	9×14×8.1	100			2,650	6,270	373	2,400	35
101	80	13	83	9×14×8.1	115	30	30	3,430	8,040	553	2,510	40
129	100	18	107	11×17×11.1	145			6,080	15,900	1,370	6,400	50
144	116	18	122	11×17×11.1	155			7,550	20,000	1,800	9,200	60

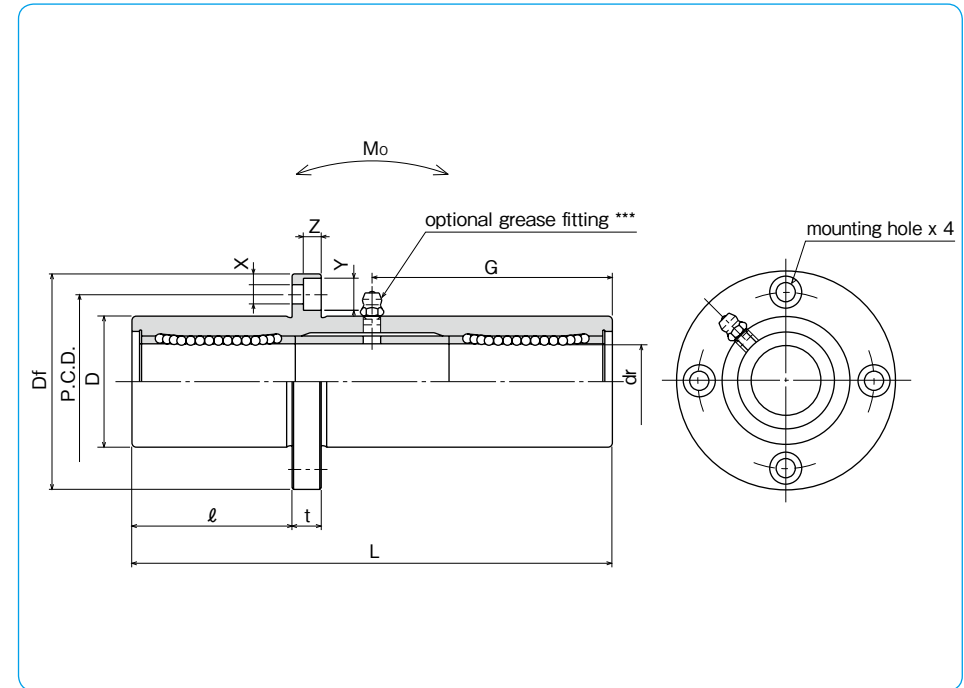
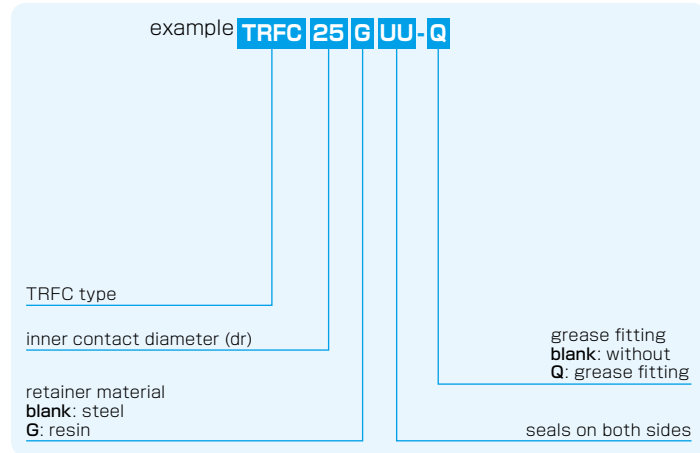
1N \approx 0.102kgf 1N \cdot m \approx 0.102kgf \cdot m

TRFC TYPE

— Triple-Wide Intermediate Position Round Flange Type —



part number structure



part number*		number of ball circuits	dr		major dimensions		
steel retainer	resin retainer		mm	tolerance μm	D	tolerance μm	L ± 0.3 mm
TRFC 6UU	TRFC 6GUU	4	6		15	0/-18	51
TRFC 8UU	TRFC 8GUU	4	8	0	19		66
TRFC 10UU	TRFC 10GUU	4	10	-12	23	0	80
TRFC 12UU	TRFC 12GUU	4	12		26	-21	84
TRFC 13UU	TRFC 13GUU	4	13	0	28		90
TRFC 16UU	TRFC 16GUU	4	16	-15	32	0	103
TRFC 20UU	TRFC 20GUU	5	20		40	-25	118
TRFC 25UU	TRFC 25GUU	6	25	0	45		165
TRFC 30UU	TRFC 30GUU	6	30	-18	52	0	182
TRFC 35UU	TRFC 35GUU	6	35		60	-30	200
TRFC 40UU	TRFC 40GUU	6	40	0	65		230
TRFC 50UU	TRFC 50GUU	6	50	-21	85	0	290
TRFC 60UU	TRFC 60GUU	6	60	0/-25	100	-35	310

l mm	Df mm	flange			grease fitting G mm	eccentricity μm	perpendicularity μm	basic load rating		allowable static moment $\text{N} \cdot \text{m}$	mass g	shaft diameter mm
		t mm	P.C.D. mm	X×Y×Z mm				dynamic C N	static Co N			
17	32	5	24	3.5×6×3.1	20.5	20	20	323	530	8.2	66	6
22	40	6	29	4.5×7.5×4.1	29			431	784	16.0	135	8
27	43	6	33	4.5×7.5×4.1	38			588	1,100	27.0	205	10
28	46	6	36	4.5×7.5×4.1	41			813	1,570	40.1	248	12
30	48	6	38	4.5×7.5×4.1	45			813	1,570	42.9	308	13
35	54	8	43	5.5×9×5.1	51			1,230	2,350	73.5	412	16
40	62	8	51	5.5×9×5.1	59	25	25	1,400	2,740	98.0	752	20
55	74	10	60	6.6×11×6.1	82.5			1,560	3,140	157	1,244	25
61	82	10	67	6.6×11×6.1	91			2,490	5,490	297	1,636	30
67	96	13	78	9×14×8.1	100			2,650	6,270	373	2,580	35
77	101	13	83	9×14×8.1	115			3,430	8,040	553	2,950	40
97	129	18	107	11×17×11.1	145			6,080	15,900	1,370	6,860	50
104	144	18	122	11×17×11.1	155	7,550	20,000	1,800	9,660	60		

* UU type is standard.

** Outer cylinder is treated with electroless nickel plating.

*** TRFC6~8: A-M6x1 TRFC10~30: A-M6F TRFC35~60: A-R1/8

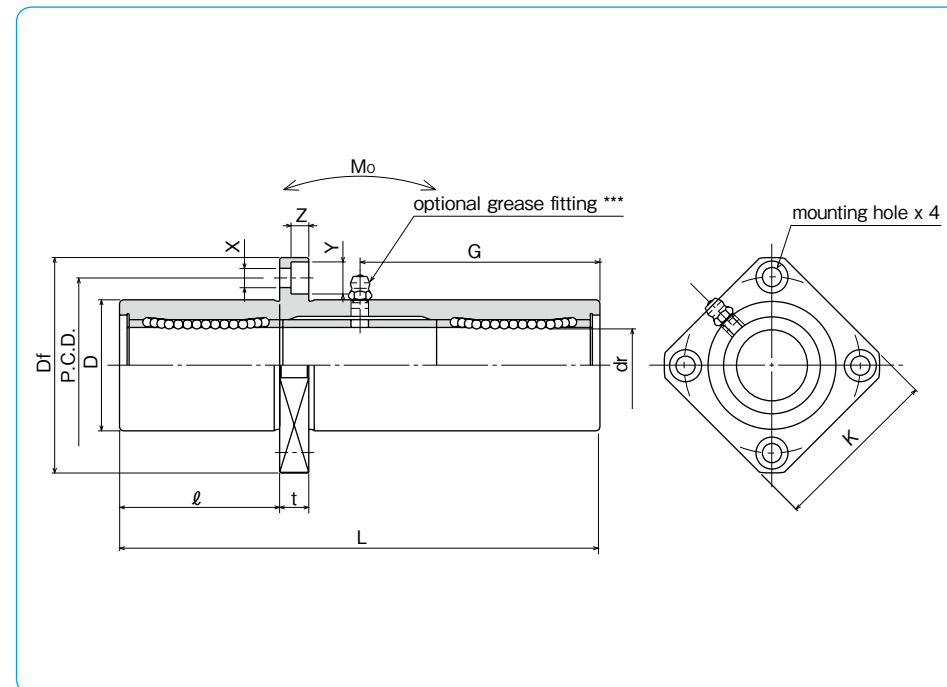
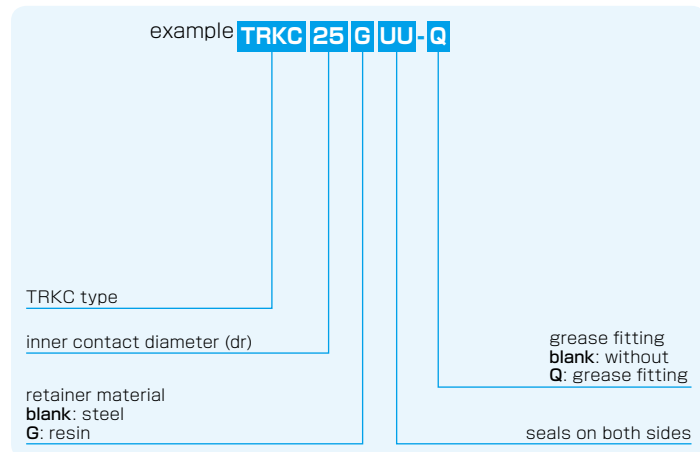
1N \approx 0.102kgf 1N \cdot m \approx 0.102kgf \cdot m

TRKC TYPE

— Triple-Wide Intermediate Position Square Flange Type —



part number structure



part number*		number of ball circuits	dr		major dimensions		
steel retainer	resin retainer		mm	tolerance μm	D mm	tolerance μm	L ± 0.3 mm
TRKC 6UU	TRKC 6GUU	4	6		15	0/-18	51
TRKC 8UU	TRKC 8GUU	4	8	0	19		66
TRKC 10UU	TRKC 10GUU	4	10	-12	23	0	80
TRKC 12UU	TRKC 12GUU	4	12		26	-21	84
TRKC 13UU	TRKC 13GUU	4	13	0	28		90
TRKC 16UU	TRKC 16GUU	4	16	-15	32	0	103
TRKC 20UU	TRKC 20GUU	5	20		40	-25	118
TRKC 25UU	TRKC 25GUU	6	25	-18	45		165
TRKC 30UU	TRKC 30GUU	6	30		52	0	182
TRKC 35UU	TRKC 35GUU	6	35	0	60	-30	200
TRKC 40UU	TRKC 40GUU	6	40	-21	65		230
TRKC 50UU	TRKC 50GUU	6	50		85	0	290
TRKC 60UU	TRKC 60GUU	6	60	0/-25	100	-35	310

* UU type is standard.

** Outer cylinder is treated with electroless nickel plating.

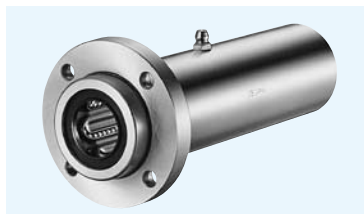
*** TRKC6~8: A-M6x1 TRKC10~30: A-M6F TRKC35~60: A-R1/8

l mm	Df mm	flange			P.C.D. mm	X×Y×Z mm	grease fitting G mm	eccentricity μm	perpendicularity μm	basic load rating		allowable static moment $\text{N} \cdot \text{m}$	mass g	shaft diameter mm
		K mm	t mm	C N						Co N				
17	32	25	5	24	3.5×6×3.1	20.5	20	20	323	530	8.2	58	6	
22	40	30	6	29	4.5×7.5×4.1	29			431	784	16.0	117	8	
27	43	34	6	33	4.5×7.5×4.1	38			588	1,100	27.0	189	10	
28	46	35	6	36	4.5×7.5×4.1	41			813	1,570	40.1	228	12	
30	48	37	6	38	4.5×7.5×4.1	45			813	1,570	42.9	286	13	
35	54	42	8	43	5.5×9×5.1	51	25	25	1,230	2,350	73.5	376	16	
40	62	50	8	51	5.5×9×5.1	59			1,400	2,740	98.0	714	20	
55	74	58	10	60	6.6×11×6.1	82.5			1,560	3,140	157	1,163	25	
61	82	64	10	67	6.6×11×6.1	91			2,490	5,490	297	1,543	30	
67	96	75	13	78	9×14×8.1	100			2,650	6,270	373	2,400	35	
77	101	80	13	83	9×14×8.1	115	30	30	3,430	8,040	553	2,510	40	
97	129	100	18	107	11×17×11.1	145			6,080	15,900	1,370	6,400	50	
104	144	116	18	122	11×17×11.1	155			7,550	20,000	1,800	9,200	60	

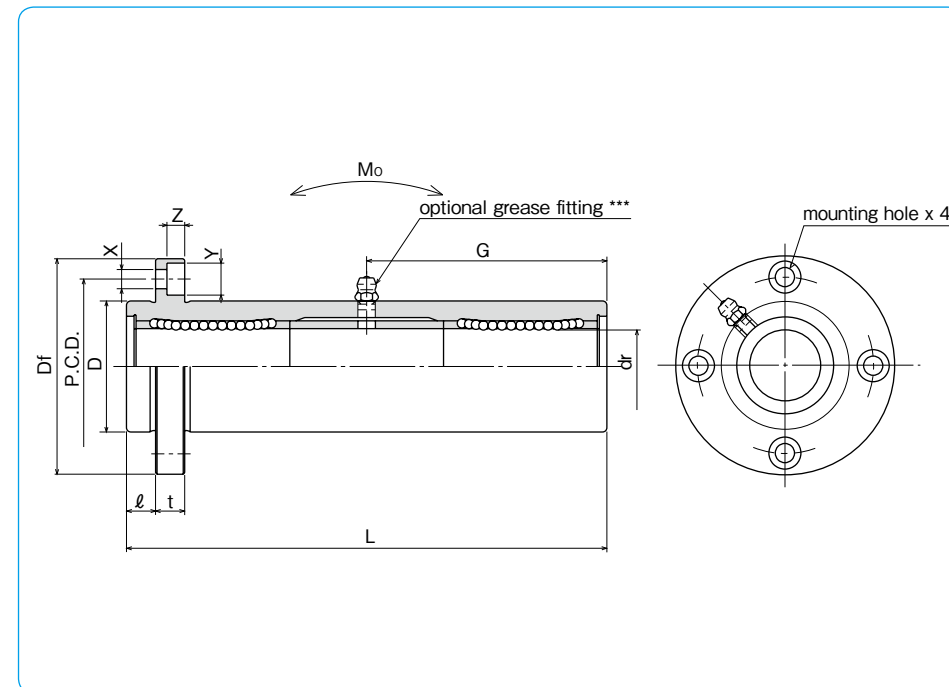
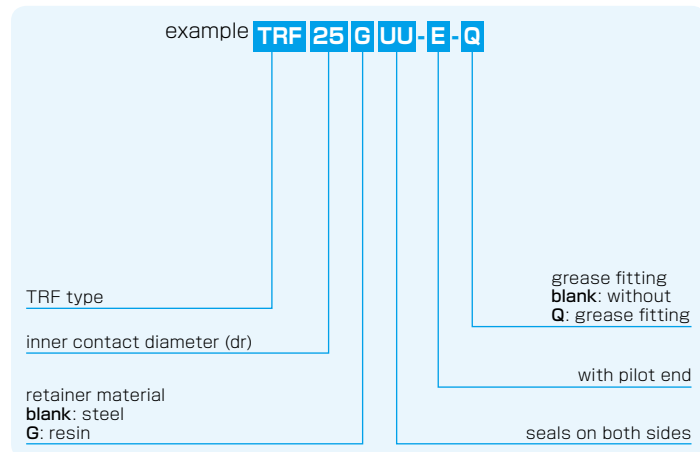
1N \approx 0.102kgf 1N · m \approx 0.102kgf · m

TRF-E TYPE

– Triple-Wide Round Flange Pilot End Type –



part number structure



part number*		number of ball circuits	dr		major dimensions		
steel retainer	resin retainer		mm	tolerance μm	D	tolerance μm	L ± 0.3 mm
TRF 6UU-E	TRF 6GUU-E	4	6	0	15	0/-18	51
TRF 8UU-E	TRF 8GUU-E	4	8	-12	19		66
TRF 10UU-E	TRF 10GUU-E	4	10		23	0	80
TRF 12UU-E	TRF 12GUU-E	4	12		26	-21	84
TRF 13UU-E	TRF 13GUU-E	4	13	0	28		90
TRF 16UU-E	TRF 16GUU-E	4	16	-15	32		103
TRF 20UU-E	TRF 20GUU-E	5	20		40	0	118
TRF 25UU-E	TRF 25GUU-E	6	25	0	45	-25	165
TRF 30UU-E	TRF 30GUU-E	6	30	-18	52		182
TRF 35UU-E	TRF 35GUU-E	6	35		60	0	200
TRF 40UU-E	TRF 40GUU-E	6	40	0	65	-30	230
TRF 50UU-E	TRF 50GUU-E	6	50	-21	85	0	290
TRF 60UU-E	TRF 60GUU-E	6	60	0/-25	100	-35	310

* UU type is standard.

** Outer cylinder is treated with electroless nickel plating.

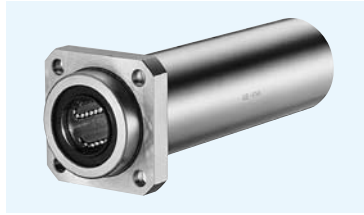
*** TRF6~8: A-M6x1 TRF10~30: A-M6F TRF35~60: A-R1/8

l mm	Df mm	flange			grease fitting G mm	eccentricity μm	perpendicularity μm	basic load rating		allowable static moment Mo N·m	mass g	shaft diameter mm
		t mm	P.C.D. mm	X×Y×Z mm				dynamic C N	static Co N			
5	32	5	24	3.5×6×3.1	20.5	20	20	323	530	8.2	66	6
6	40	6	29	4.5×7.5×4.1	29			431	784	16.0	135	8
6	43	6	33	4.5×7.5×4.1	38			588	1,100	27.0	205	10
6	46	6	36	4.5×7.5×4.1	41			813	1,570	40.1	248	12
6	48	6	38	4.5×7.5×4.1	45			813	1,570	42.9	308	13
8	54	8	43	5.5×9×5.1	51			1,230	2,350	73.5	412	16
8	62	8	51	5.5×9×5.1	59	25	25	1,400	2,740	98.0	752	20
10	74	10	60	6.6×11×6.1	82.5			1,560	3,140	157	1,244	25
10	82	10	67	6.6×11×6.1	91			2,490	5,490	297	1,636	30
13	96	13	78	9×14×8.1	100			2,650	6,270	373	2,580	35
13	101	13	83	9×14×8.1	115			3,430	8,040	553	2,950	40
18	129	18	107	11×17×11.1	145			6,080	15,900	1,370	6,860	50
18	144	18	122	11×17×11.1	155	30	30	7,550	20,000	1,800	9,660	60

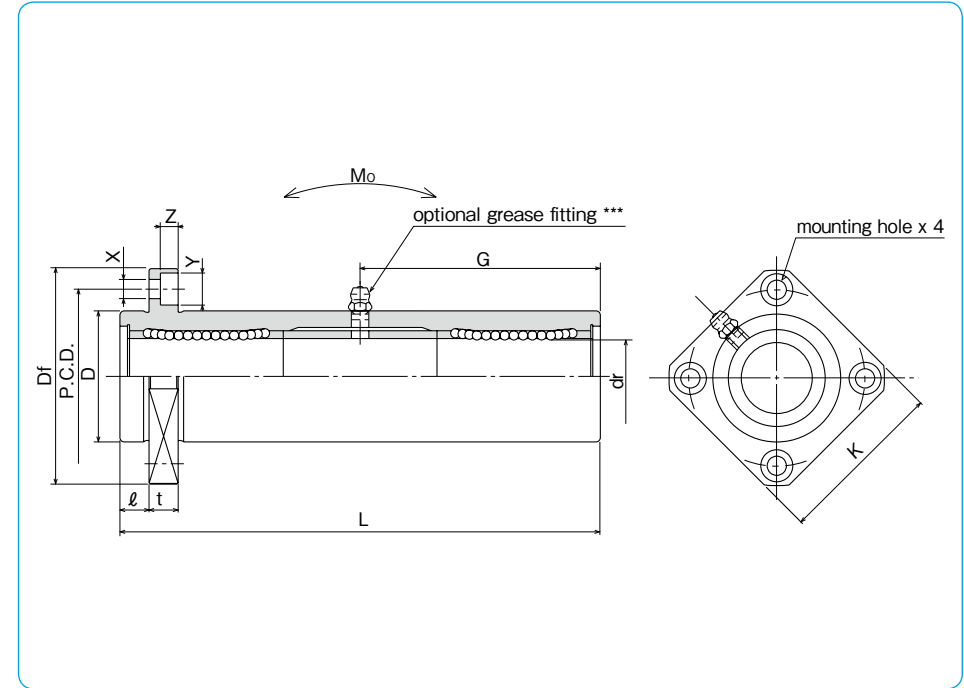
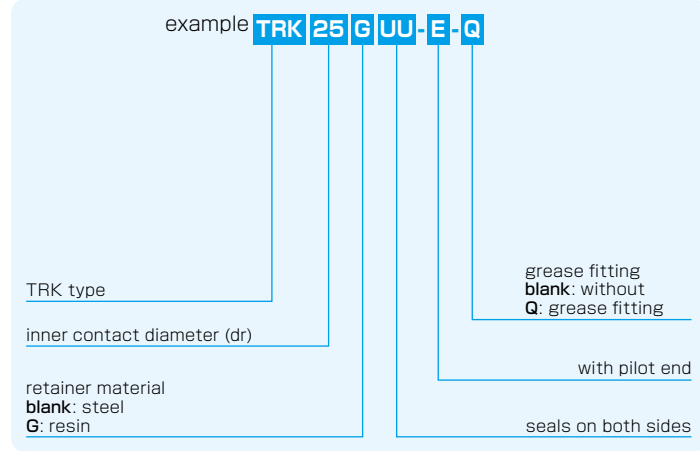
1N \approx 0.102kgf 1N · m \approx 0.102kgf · m

TRK-E TYPE

– Triple-Wide Square Flange Pilot End Type –



part number structure



part number*		number of ball circuits	dr		major dimensions		
steel retainer	resin retainer		mm	tolerance μm	D mm	tolerance μm	L ± 0.3 mm
TRK 6UU-E	TRK 6GUU-E	4	6	0	15	0/-18	51
TRK 8UU-E	TRK 8GUU-E	4	8	-12	19		66
TRK 10UU-E	TRK 10GUU-E	4	10		23	0	80
TRK 12UU-E	TRK 12GUU-E	4	12		26	-21	84
TRK 13UU-E	TRK 13GUU-E	4	13	0	28		90
TRK 16UU-E	TRK 16GUU-E	4	16	-15	32		103
TRK 20UU-E	TRK 20GUU-E	5	20		40	0	118
TRK 25UU-E	TRK 25GUU-E	6	25	0	45	-25	165
TRK 30UU-E	TRK 30GUU-E	6	30	-18	52		182
TRK 35UU-E	TRK 35GUU-E	6	35		60	0	200
TRK 40UU-E	TRK 40GUU-E	6	40	0	65	-30	230
TRK 50UU-E	TRK 50GUU-E	6	50	-21	85	0	290
TRK 60UU-E	TRK 60GUU-E	6	60	0/-25	100	-35	310

* UU type is standard.

** Outer cylinder is treated with electroless nickel plating.

*** TRK6~8: A-M6x1 TRK10~30: A-M6F TRK35~60: A-R1/8

l mm	Df mm	flange			P.C.D. mm	X×Y×Z mm	grease fitting G mm	eccentricity μm	perpendicularity μm	basic load rating		allowable static moment $\text{N} \cdot \text{m}$	mass g	shaft diameter mm
		K mm	t mm	C N						Co N				
5	32	25	5	24	3.5×6×3.1	20.5	20	20	323	530	8.2	58	6	
6	40	30	6	29	4.5×7.5×4.1	29			431	784	16.0	117	8	
6	43	34	6	33	4.5×7.5×4.1	38			588	1,100	27.0	189	10	
6	46	35	6	36	4.5×7.5×4.1	41			813	1,570	40.1	228	12	
6	48	37	6	38	4.5×7.5×4.1	45	25	25	813	1,570	42.9	286	13	
8	54	42	8	43	5.5×9×5.1	51			1,230	2,350	73.5	376	16	
8	62	50	8	51	5.5×9×5.1	59			1,400	2,740	98.0	714	20	
10	74	58	10	60	6.6×11×6.1	82.5			1,560	3,140	157	1,163	25	
10	82	64	10	67	6.6×11×6.1	91	30	30	2,490	5,490	297	1,543	30	
13	96	75	13	78	9×14×8.1	100			2,650	6,270	373	2,400	35	
13	101	80	13	83	9×14×8.1	115			3,430	8,040	553	2,510	40	
18	129	100	18	107	11×17×11.1	145			6,080	15,900	1,370	6,400	50	
18	144	116	18	122	11×17×11.1	155	7,550	20,000	1,800	9,200	60			

1N \approx 0.102kgf 1N · m \approx 0.102kgf · m

KB TYPE (Euro Standard)

– Standard Type –



part number structure

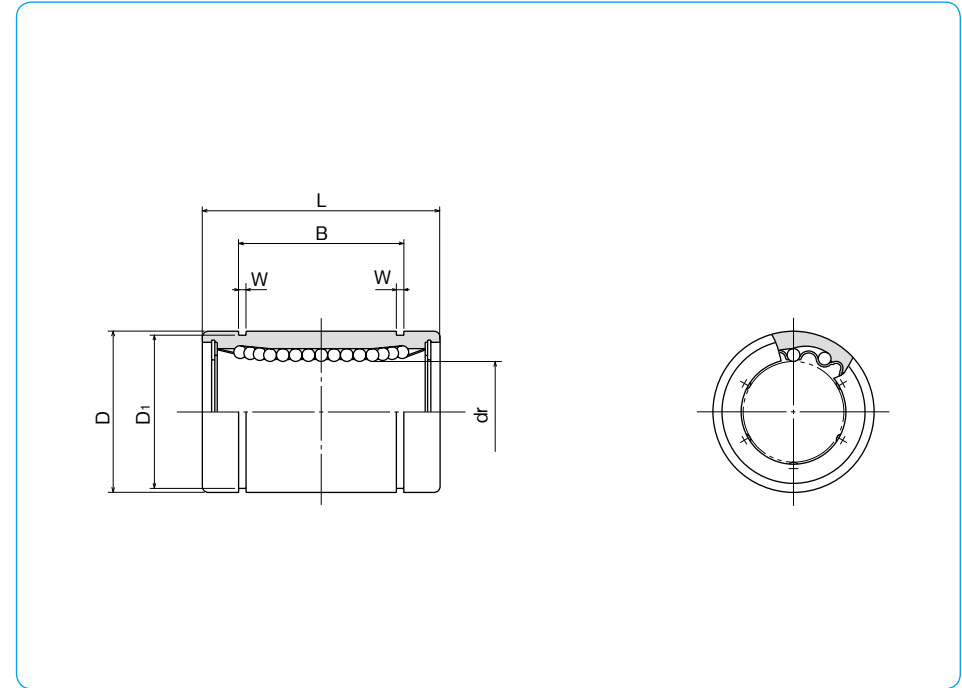
example **KBS 25 G UU**

specification
KB: standard
KBS: anti-corrosion

inner contact diameter (dr)

retainer material
blank: standard/steel
G: anti-corrosion/stainless steel
G: resin

seal
blank: without seal
U: seal on one side
UU: seals on both sides



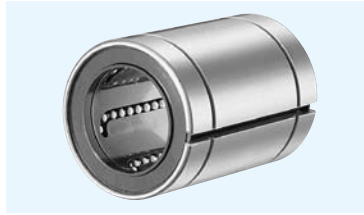
part number				number of ball circuits	dr		major dimensions	
standard steel retainer	resin retainer	anti-corrosion stainless retainer	resin retainer		mm	tolerance μm	D mm	tolerance μm
KB 3	KB 3G	KBS 3	KBS 3G	4	3	+ 8 0	7	0 - 8
KB 4	KB 4G	KBS 4	KBS 4G	4	4		8	
KB 5	KB 5G	KBS 5	KBS 5G	4	5		12	
KB 8	KB 8G	KBS 8	KBS 8G	4	8		16	
KB10	KB10G	KBS10	KBS10G	4	10	+ 9 - 1	19	0 - 9
KB12	KB12G	KBS12	KBS12G	4	12		22	
KB16	KB16G	KBS16	KBS16G	4	16		26	
KB20	KB20G	KBS20	KBS20G	5	20		32	
KB25	KB25G	KBS25	KBS25G	6	25	+11	40	-11
KB30	KB30G	KBS30	KBS30G	6	30	- 1	47	
KB40	KB40G	KBS40	KBS40G	6	40	+13 - 2	62	0 -13
KB50	KB50G	KBS50	KBS50G	6	50		75	
KB60	KB60G	KBS60	KBS60G	6	60		90	0
KB80	—	—	—	6	80	+16/-4	120	-15

mm	L	mm	B	mm	mm	mm	eccentricity μm	radial clearance (maximum) μm	basic load rating		mass g	shaft diameter mm
	tolerance mm		tolerance mm						dynamic C N	static Co N		
10	0	—	—	—	—	—	10	- 3	69	105	1.4	3
12	-0.12	—	—	—	—	—			88	127	2	4
22	0	14.5	0	1.1	11.5	12			206	265	11	5
25		16.5		1.1	15.2		265	402	22	8		
29		22		1.3	18		372	549	36	10		
32		-0.2		22.9	-0.2		1.3	21	510	784	45	12
36	0	24.9	0	1.3	24.9	15	- 4	578	892	60	16	
45		31.5		1.6	30.3			862	1,370	102	20	
58		44.1		1.85	37.5			980	1,570	235	25	
68	0	52.1	0	1.85	44.5	17	- 6	1,570	2,740	360	30	
80		-0.3		60.6	-0.3			2.15	59	2,160	4,020	770
100	0	77.6	0	2.65	72	20	- 8	3,820	7,940	1,250	50	
125		101.7		3.15	86.5			4,700	9,800	2,220	60	
165		-0.4		133.7	-0.4			4.15	116	7,350	16,000	5,140

1N=0.102kgf

KB-AJ TYPE (Euro Standard)

– Clearance Adjustable Type –



part number structure

example **KBS 25 G UU-AJ**

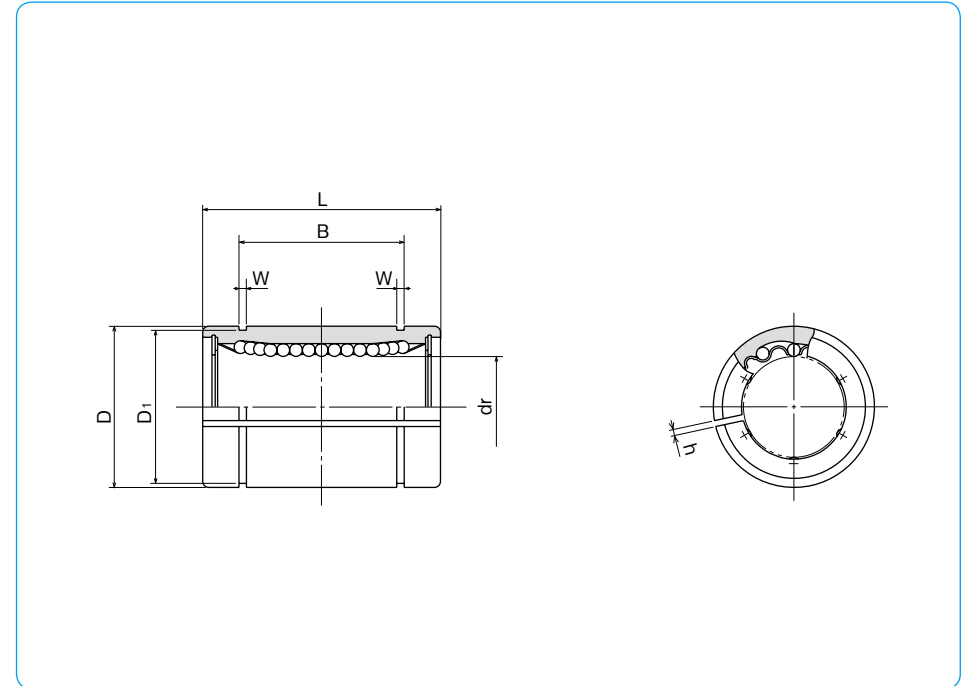
specification
KB: standard
KBS: anti-corrosion

inner contact diameter (dr)

retainer material
blank: standard/steel
U: anti-corrosion/stainless steel
G: resin

clearance-adjustable

seal
blank: without seal
U: seal on one side
UU: seals on both sides



part number		number of ball circuits	dr		major dimensions	
standard	anti-corrosion		mm	tolerance* μm	D	tolerance* μm
—	KB 5G-AJ	—	5		12	0
—	KB 8G-AJ	—	8	+ 8	16	- 8
—	KB10G-AJ	—	10	0	19	0
KB12-AJ	KB12G-AJ	KBS12-AJ	12		22	0
KB16-AJ	KB16G-AJ	KBS16-AJ	16	+ 9	26	- 9
KB20-AJ	KB20G-AJ	KBS20-AJ	20	- 1	32	0
KB25-AJ	KB25G-AJ	KBS25-AJ	25	+11	40	0
KB30-AJ	KB30G-AJ	KBS30-AJ	30	- 1	47	-11
KB40-AJ	KB40G-AJ	KBS40-AJ	40	+13	62	0
KB50-AJ	KB50G-AJ	KBS50-AJ	50	- 2	75	-13
KB60-AJ	KB60G-AJ	KBS60-AJ	60		90	0
KB80-AJ	—	—	80	+16/-4	120	-15

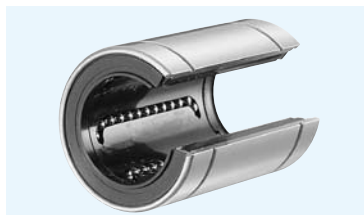
* Accuracy is measured prior to machining clearance slit.

mm	L tolerance mm	B		W mm	D ₁ mm	h mm	eccentricity* μm	basic load rating		mass g	shaft diameter mm
		mm	tolerance mm					dynamic C N	static Co N		
22		14.5		1.1	11.5	1	12	206	265	10	5
25		16.5		1.1	15.2	1		265	402	19.5	8
29	0	22	0	1.3	18	1		372	549	29	10
32	-0.2	22.9	-0.2	1.3	21	1.5		510	784	44	12
36		24.9		1.3	24.9	1.5		578	892	59	16
45		31.5		1.6	30.3	2	15	862	1,370	100	20
58		44.1		1.85	37.5	2		980	1,570	230	25
68	0	52.1	0	1.85	44.5	2		1,570	2,740	355	30
80	-0.3	60.6	-0.3	2.15	59	3	17	2,160	4,020	758	40
100		77.6		2.65	72	3		3,820	7,940	1,230	50
125	0	101.7	0	3.15	86.5	3	20	4,700	9,800	2,170	60
165	-0.4	133.7	-0.4	4.15	116	3		7,350	16,000	5,000	80

1N≒0.102kgf

KB-OP TYPE (Euro Standard)

– Open Type –



part number structure

example **KBS 25 G UU-OP**

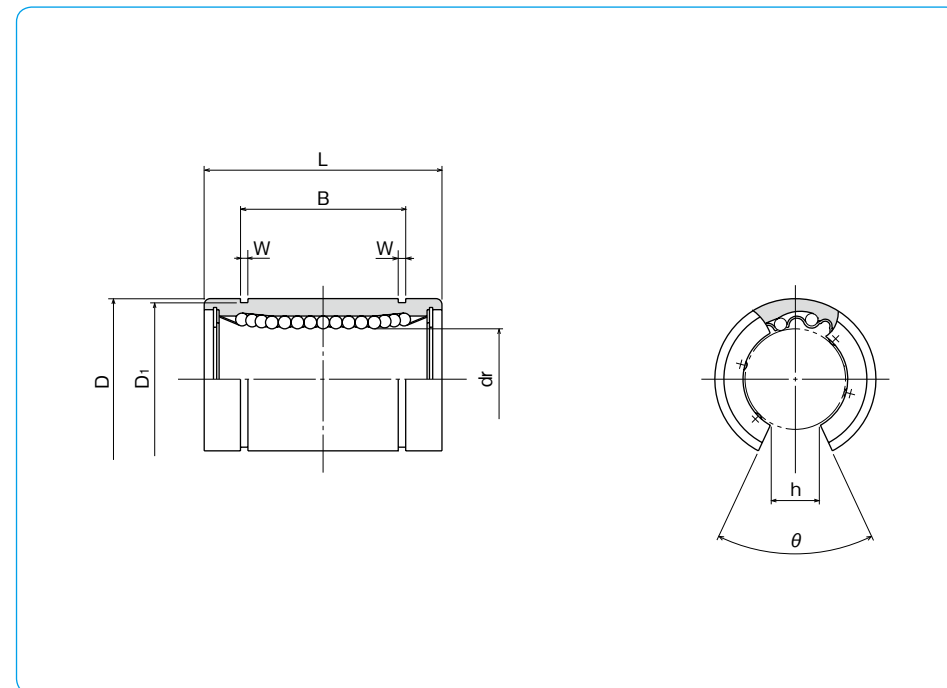
specification
KB: standard
KBS: anti-corrosion

inner contact diameter (dr)

retainer material
blank: standard/steel
 anti-corrosion/stainless steel
G: resin

open type

seal
blank: without seal
U: seal on one side
UU: seals on both sides



part number				number of ball circuits	dr		major dimensions	
standard steel retainer	resin retainer	anti-corrosion stainless retainer	resin retainer		mm	tolerance* μm	D mm	tolerance* μm
–	KB10G-OP	–	KBS10G-OP	3	10	+ 8	19	0
KB12-OP	KB12G-OP	KBS12-OP	KBS12G-OP	3	12	0	22	– 9
KB16-OP	KB16G-OP	KBS16-OP	KBS16G-OP	3	16	+ 9	26	0
KB20-OP	KB20G-OP	KBS20-OP	KBS20G-OP	4	20	– 1	32	– 11
KB25-OP	KB25G-OP	KBS25-OP	KBS25G-OP	5	25	+ 11	40	0
KB30-OP	KB30G-OP	KBS30-OP	KBS30G-OP	5	30	– 1	47	– 13
KB40-OP	KB40G-OP	KBS40-OP	KBS40G-OP	5	40	+ 13	62	0
KB50-OP	KB50G-OP	KBS50-OP	KBS50G-OP	5	50	– 2	75	– 15
KB60-OP	KB60G-OP	KBS60-OP	KBS60G-OP	5	60		90	0
KB80-OP	–	–	–	5	80	+16/–4	120	– 15

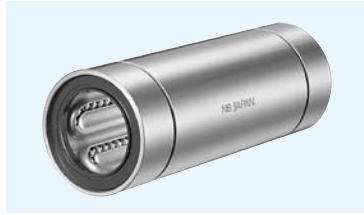
* Accuracy is measured prior to machining open slit.

mm	L tolerance mm	B tolerance mm		W mm	D1 mm	h mm	θ	eccentricity* μm	basic load rating		mass g	shaft diameter mm
		mm	mm						dynamic C N	static Co N		
29		22		1.3	18	6.8	80°	12	372	549	23	10
32	0	22.9	0	1.3	21	7.5	78°		510	784	35	12
36	–0.2	24.9	–0.2	1.3	24.9	10	78°		578	892	48	16
45		31.5		1.6	30.3	10	60°	15	862	1,370	84	20
58		44.1		1.85	37.5	12.5	60°		980	1,570	195	25
68	0	52.1	0	1.85	44.5	12.5	50°		1,570	2,740	309	30
80	–0.3	60.6	–0.3	2.15	59	16.8	50°	17	2,160	4,020	665	40
100		77.6		2.65	72	21	50°		3,820	7,940	1,080	50
125	0	101.7	0	3.15	86.5	27.2	54°		4,700	9,800	1,900	60
165	–0.4	133.7	–0.4	4.15	116	36.3	54°	20	7,350	16,000	4,380	80

1N≐0.102kgf

KB-W TYPE (Euro Standard)

– Double-Wide Type –



part number structure

example **KBS 25 G W UU**

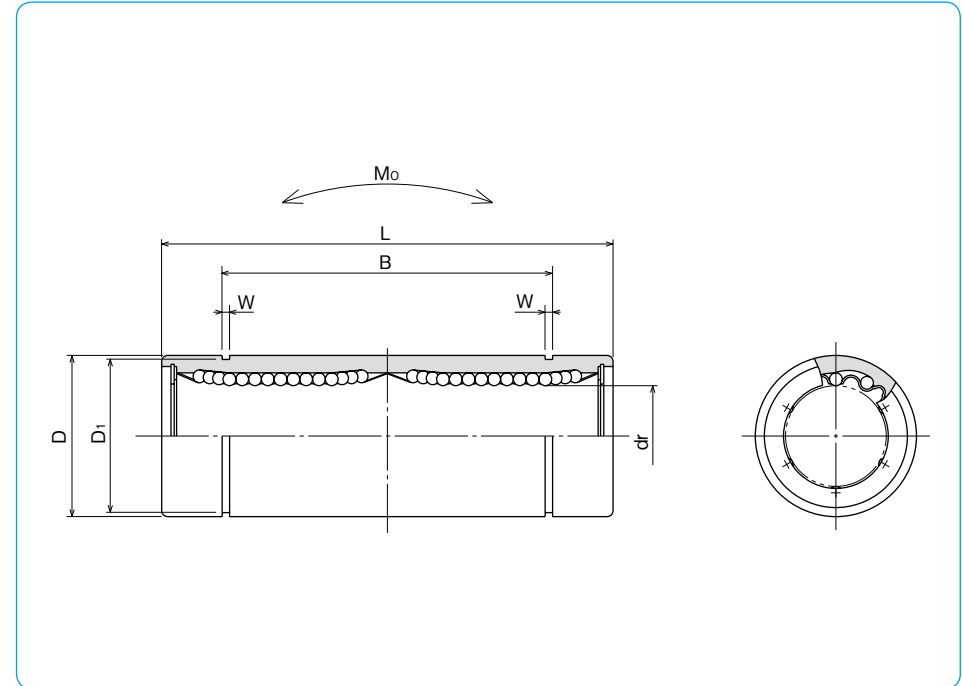
specification
KB: standard
KBS: anti-corrosion

inner contact diameter (dr)

retainer material
blank: standard/steel
 anti-corrosion/stainless steel
G: resin

seal
blank: without seal
UU: seals on both sides

double-wide type



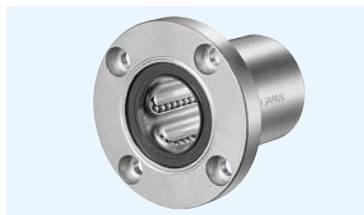
part number				number of ball circuits	dr		major dimensions	
standard steel retainer	resin retainer	anti-corrosion stainless retainer	resin retainer		mm	tolerance μm	D mm	tolerance μm
KB 8W	KB 8GW	KBS 8W	KBS 8GW	4	8	+ 9	16	0/-9
KB12W	KB12GW	KBS12W	KBS12GW	4	12	- 1	22	0
KB16W	KB16GW	KBS16W	KBS16GW	4	16	+11	26	-11
KB20W	KB20GW	KBS20W	KBS20GW	5	20	- 1	32	0
KB25W	KB25GW	KBS25W	KBS25GW	6	25	+13	40	-13
KB30W	KB30GW	KBS30W	KBS30GW	6	30	- 2	47	0
KB40W	KB40GW	KBS40W	KBS40GW	6	40	+16	62	0
KB50W	KB50GW	KBS50W	KBS50GW	6	50	- 4	75	-15
KB60W	KB60GW	KBS60W	KBS60GW	6	60		90	0/-20

mm	L tolerance mm	mm	B tolerance mm	W mm	D ₁ mm	eccentricity μm	basic load rating		allowable static moment Mo N·m	mass g	shaft diameter mm
							dynamic C N	static Co N			
46		33		1.1	15.2	15	421	804	4.3	40	8
61	0	45.8	0	1.3	21		813	1,570	11.7	80	12
68	-0.3	49.8	-0.3	1.3	24.9		921	1,780	14.2	115	16
80		61		1.6	30.5	17	1,370	2,740	25.0	180	20
112		82		1.85	38		1,570	3,140	44.0	430	25
123		104.2		1.85	44.5		2,500	5,490	78.9	615	30
151	0	121.2	0	2.15	59	20	3,430	8,040	147	1,400	40
192	-0.4	155.2	-0.4	2.65	72		6,080	15,900	396	2,320	50
209		170		3.15	86.5		7,550	20,000	487	3,920	60

1N \approx 0.102kgf 1N · m \approx 0.102kgf · m

KBF TYPE (Euro Standard)

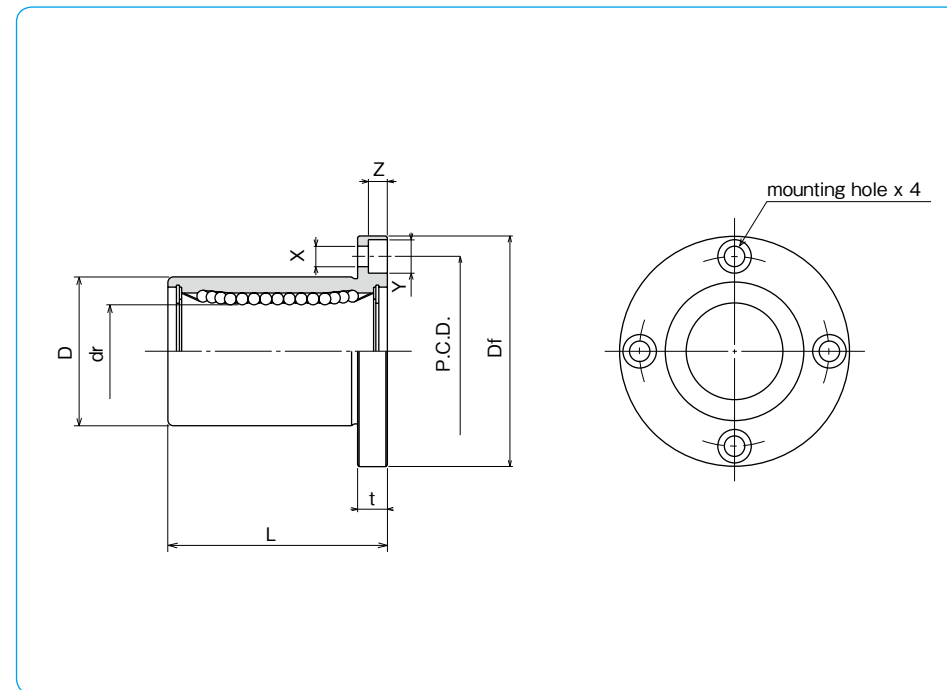
– Round Flange Type –



part number structure

example **KBSF 25 G UU-SK**

specification KBF: standard KBSF: anti-corrosion	inner contact diameter (dr)	retainer material blank: standard/steel anti-corrosion/stainless steel G: resin	outer cylinder surface treatment blank: no surface treatment SK: electroless nickel plating LF: low temperature black chrome treatment with fluoride coating SB: black oxide (not available on anti-corrosion type) SC: industrial chrome plating	seal blank: without seal UU: seals on both sides
--	-----------------------------	--	--	--



part number				number of ball circuits	dr		major dimensions		
standard steel retainer	resin retainer	anti-corrosion stainless retainer	resin retainer		mm	tolerance μm	D mm	tolerance μm	L ± 0.3 mm
—	KBF 5G	—	KBSF 5G	4	5		12	0	22
KBF 8	KBF 8G	KBSF 8	KBSF 8G	4	8	+ 8	16	-13	25
KBF12	KBF12G	KBSF12	KBSF12G	4	12	0	22	0	32
KBF16	KBF16G	KBSF16	KBSF16G	4	16	+ 9	26	-16	36
KBF20	KBF20G	KBSF20	KBSF20G	5	20	- 1	32	0	45
KBF25	KBF25G	KBSF25	KBSF25G	6	25	+11	40	0	58
KBF30	KBF30G	KBSF30	KBSF30G	6	30	- 1	47	-19	68
KBF40	KBF40G	KBSF40	KBSF40G	6	40		62	0	80
KBF50	KBF50G	KBSF50	KBSF50G	6	50	+13	75	-22	100
KBF60	KBF60G	KBSF60	KBSF60G	6	60	- 2	90	0	125
KBF80	—	—	—	6	80	+16/-4	120	-25	165

Df mm	t mm	flange		eccentricity μm	perpendicularity μm	basic load rating		mass g	shaft diameter mm
		P.C.D. mm	X×Y×Z mm			dynamic C N	static Co N		
28	5	20	3.5×6×3.1	12	12	206	265	26	5
32	5	24	3.5×6×3.1			265	402	41	8
42	6	32	4.5×7.5×4.1			510	784	80	12
46	6	36	4.5×7.5×4.1			578	892	103	16
54	8	43	5.5×9×5.1	15	15	862	1,370	182	20
62	8	51	5.5×9×5.1			980	1,570	335	25
76	10	62	6.6×11×6.1			1,570	2,740	560	30
98	13	80	9×14×8.1	17	17	2,160	4,020	1,175	40
112	13	94	9×14×8.1			3,820	7,940	1,745	50
134	18	112	11×17×11.1	20	20	4,700	9,800	3,220	60
164	18	142	11×17×11.1			7,350	16,000	6,420	80

1N \approx 0.102kgf

KBK TYPE (Euro Standard)

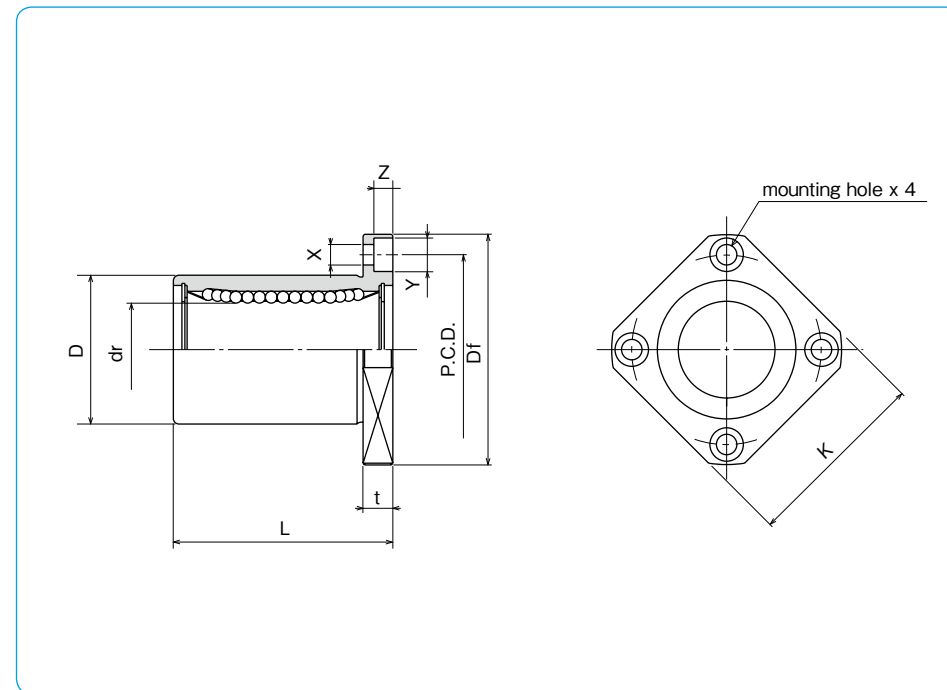
– Square Flange Type –



part number structure

example **KBSK 25 G UU-SK**

specification KBK: standard KBSK: anti-corrosion	inner contact diameter (dr)	retainer material blank: standard/steel anti-corrosion/stainless steel G: resin	outer cylinder surface treatment blank: no surface treatment SK: electroless nickel plating LF: low temperature black chrome treatment with fluoride coating SB: black oxide (not available on anti-corrosion type) SC: industrial chrome plating	seal blank: without seal UU: seals on both sides
--	-----------------------------	--	--	--



part number				number of ball circuits	dr		major dimensions		
standard steel retainer	resin retainer	anti-corrosion stainless retainer	resin retainer		mm	tolerance μm	D mm	tolerance μm	L ± 0.3 mm
—	KBK 5G	—	KBSK 5G	4	5	+ 8	12	0	22
KBK 8	KBK 8G	KBSK 8	KBSK 8G	4	8	0	16	-13	25
KBK 12	KBK 12G	KBSK 12	KBSK 12G	4	12	0	22	0	32
KBK 16	KBK 16G	KBSK 16	KBSK 16G	4	16	+ 9	26	-16	36
KBK 20	KBK 20G	KBSK 20	KBSK 20G	5	20	- 1	32	0	45
KBK 25	KBK 25G	KBSK 25	KBSK 25G	6	25	+11	40	0	58
KBK 30	KBK 30G	KBSK 30	KBSK 30G	6	30	- 1	47	-19	68
KBK 40	KBK 40G	KBSK 40	KBSK 40G	6	40	+13	62	0	80
KBK 50	KBK 50G	KBSK 50	KBSK 50G	6	50	- 2	75	-22	100
KBK 60	KBK 60G	KBSK 60	KBSK 60G	6	60	0	90	0	125
KBK 80	—	—	—	6	80	+16/-4	120	-25	165

flange					eccentricity μm	perpendicularity μm	basic load rating		mass g	shaft diameter mm
Df mm	K mm	t mm	P.C.D. mm	X×Y×Z mm			dynamic C N	static Co N		
28	22	5	20	3.5×6×3.1	12	12	206	265	20	5
32	25	5	24	3.5×6×3.1			265	402	33	8
42	32	6	32	4.5×7.5×4.1			510	784	64	12
46	35	6	36	4.5×7.5×4.1			578	892	90	16
54	42	8	43	5.5×9×5.1	15	15	862	1,370	147	20
62	50	8	51	5.5×9×5.1			980	1,570	295	25
76	60	10	62	6.6×11×6.1			1,570	2,740	465	30
98	75	13	80	9×14×8.1	17	17	2,160	4,020	975	40
112	88	13	94	9×14×8.1			3,820	7,940	1,545	50
134	106	18	112	11×17×11.1			4,700	9,800	2,780	60
164	136	18	142	11×17×11.1	20	20	7,350	16,000	5,920	80

1N \approx 0.102kgf

KBT TYPE (Euro Standard)

– Two Side Cut Flange Type –



part number structure

example **KBST 25 G UU -SK**

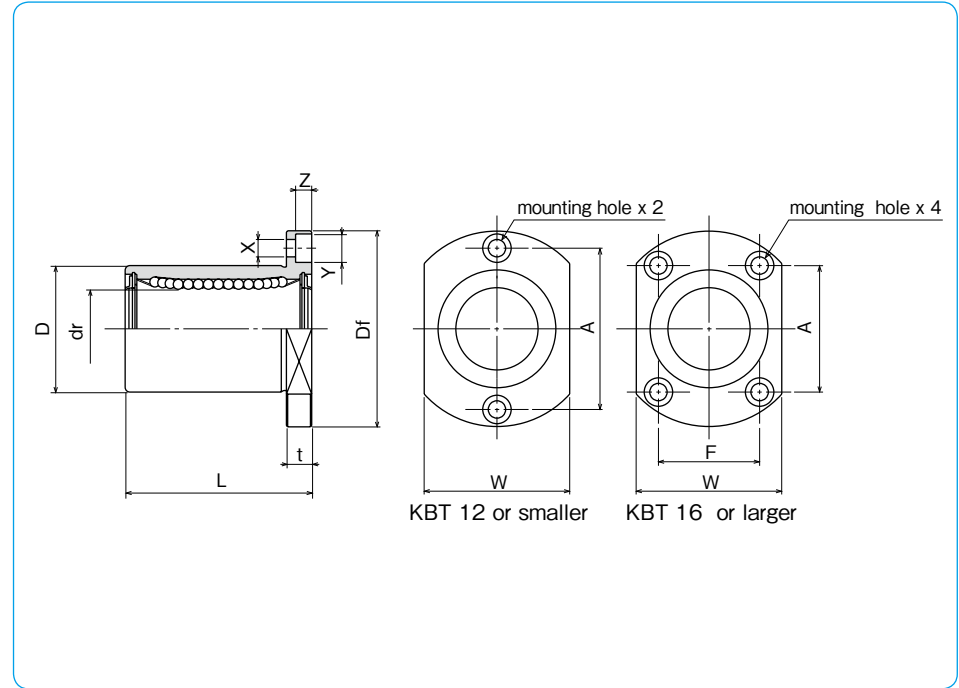
specification
KBT: standard
KBST: anti-corrosion

inner contact diameter (dr)

retainer material
blank: standard/steel
G: anti-corrosion/stainless steel
UU: resin

outer cylinder surface treatment
blank: no surface treatment
SK: electroless nickel plating
LF: low temperature black chrome treatment with fluoride coating
SB: black oxide (not available on anti-corrosion type)
SC: industrial chrome plating

seals on both sides



part number				number of ball circuits	dr		major dimensions		
standard steel retainer	standard resin retainer	anti-corrosion stainless retainer	anti-corrosion resin retainer		mm	tolerance μm	D mm	tolerance μm	L ± 0.3 mm
KBT 5 UU	KBT 5G UU	KBST 5 UU	KBST 5G UU	4	5	+ 8	12	0	22
KBT 8 UU	KBT 8G UU	KBST 8 UU	KBST 8G UU	4	8	0	16	-13	25
KBT12 UU	KBT12G UU	KBST12 UU	KBST12G UU	4	12	0	22	0	32
KBT16 UU	KBT16G UU	KBST16 UU	KBST16G UU	4	16	+ 9	26	-16	36
KBT20 UU	KBT20G UU	KBST20 UU	KBST20G UU	5	20	- 1	32	0	45
KBT25 UU	KBT25G UU	KBST25 UU	KBST25G UU	6	25	+11	40	-19	58
KBT30 UU	KBT30G UU	KBST30 UU	KBST30G UU	6	30	- 1	47	-19	68

* UU type is standard.

Df mm	W mm	flange				X×Y×Z mm	eccentricity μm	perpendicularity μm	basic load rating		mass g	shaft diameter mm
		t mm	A mm	F mm	dynamic C N				static Co N			
28	18	5	20	—	3.5×6×3.1	12	12	206	265	25	5	
32	22	5	24	—	3.5×6×3.1			265	402	37	8	
42	28	6	32	—	4.5×7.5×4.1			510	784	73	12	
46	32	6	28	22	4.5×7.5×4.1			578	892	90	16	
54	38	8	36	24	5.5×9×5.1			862	1,370	155	20	
62	46	8	40	32	5.5×9×5.1	15	15	980	1,570	295	25	
76	53	10	48	36	6.6×11×6.1			1,570	2,740	471	30	

1N≒0.102kgf

KBF-W TYPE (Euro Standard)

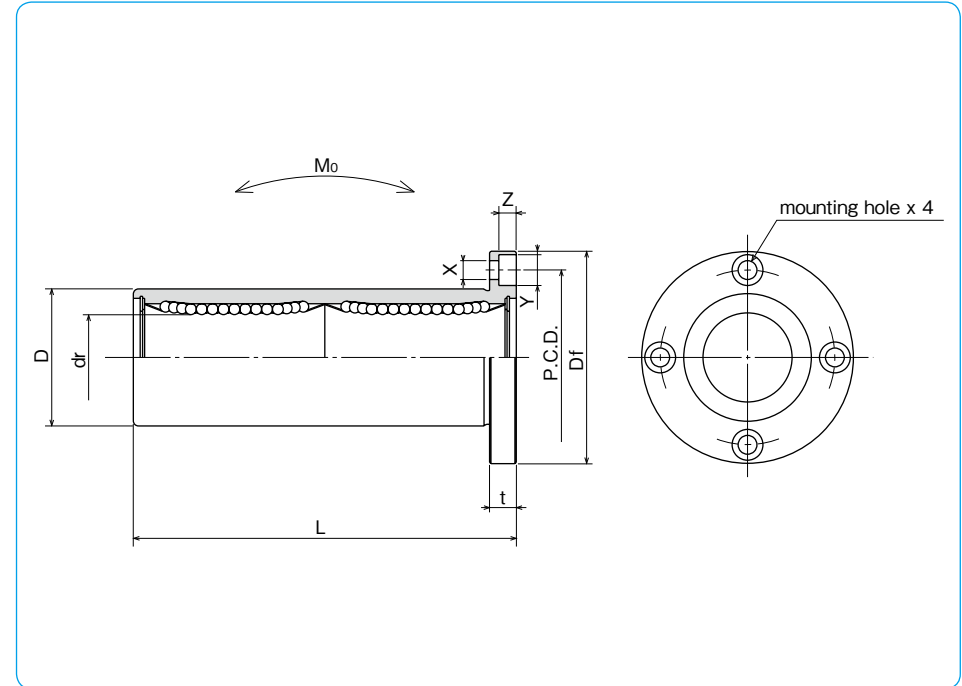
– Round Flange Double-Wide Type –



part number structure

example **KBSF 25 G W UU -SK**

specification KBF: standard KBSF: anti-corrosion	inner contact diameter (dr)	retainer material blank: standard/steel anti-corrosion/stainless steel G: resin	outer cylinder surface treatment blank: no surface treatment SK: electroless nickel plating LF: low temperature black chrome treatment with fluoride coating SB: black oxide (not available on anti-corrosion type) SC: industrial chrome plating	seal blank: without seal UU: seals on both sides	double-wide type
--	-----------------------------	--	--	--	------------------



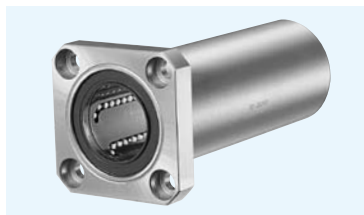
part number				number of ball circuits	dr		major dimensions		
standard steel retainer	standard resin retainer	anti-corrosion stainless retainer	anti-corrosion resin retainer		mm	tolerance μm	D mm	tolerance μm	L ± 0.3 mm
KBF 8W	KBF 8GW	KBSF 8W	KBSF 8GW	4	8	+ 9	16	0/-13	46
KBF12W	KBF12GW	KBSF12W	KBSF12GW	4	12	- 1	22	0	61
KBF16W	KBF16GW	KBSF16W	KBSF16GW	4	16	+ 11	26	-16	68
KBF20W	KBF20GW	KBSF20W	KBSF20GW	5	20	- 1	32	0	80
KBF25W	KBF25GW	KBSF25W	KBSF25GW	6	25	+ 13	40	-19	112
KBF30W	KBF30GW	KBSF30W	KBSF30GW	6	30	- 2	47	0	123
KBF40W	KBF40GW	KBSF40W	KBSF40GW	6	40	+ 16	62	0	151
KBF50W	KBF50GW	KBSF50W	KBSF50GW	6	50	- 4	75	-22	192
KBF60W	KBF60GW	KBSF60W	KBSF60GW	6	60		90	0/-25	209

Df mm	t mm	flange P.C.D. mm	X × Y × Z mm	eccentricity μm	perpendicularity μm	basic load rating		allowable static moment M_o N · m	mass g	shaft diameter mm
						dynamic C N	static C_o N			
32	5	24	3.5 × 6 × 3.1	15	15	421	804	4.3	59	8
42	6	32	4.5 × 7.5 × 4.1			813	1,570	11.7	110	12
46	6	36	4.5 × 7.5 × 4.1			921	1,780	14.2	160	16
54	8	43	5.5 × 9 × 5.1	17	17	1,370	2,740	25.0	260	20
62	8	51	5.5 × 9 × 5.1			1,570	3,140	44.0	540	25
76	10	62	6.6 × 11 × 6.1			2,500	5,490	78.9	815	30
98	13	80	9 × 14 × 8.1	20	20	3,430	8,040	147	1,805	40
112	13	94	9 × 14 × 8.1			6,080	15,900	396	2,820	50
134	18	112	11 × 17 × 11.1			7,550	20,000	487	4,920	60

1N = 0.102kgf 1N · m = 0.102kgf · m

KBK-W TYPE (Euro Standard)

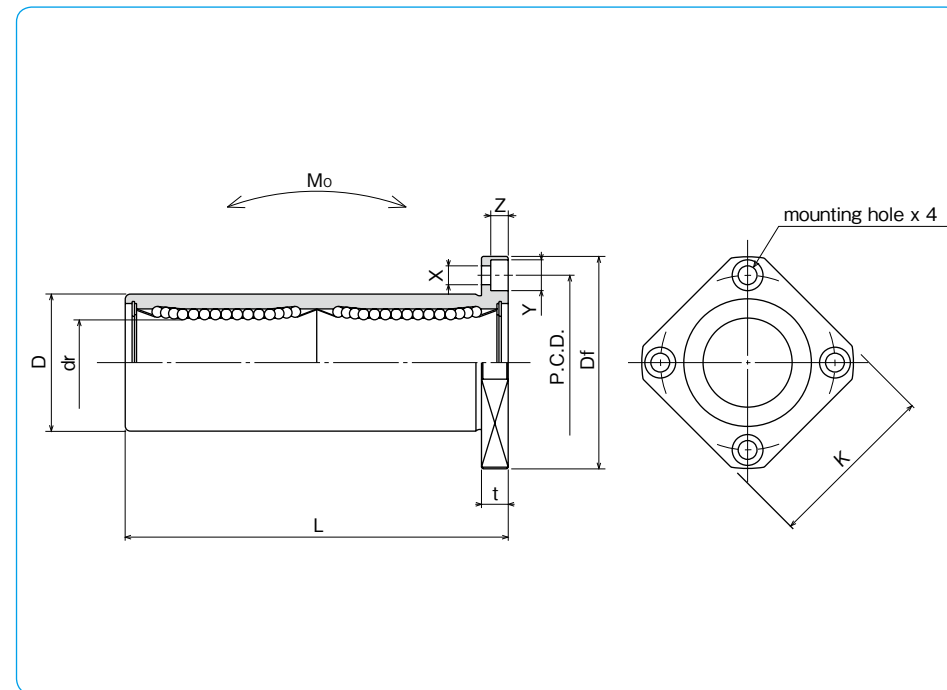
– Square Flange Double-Wide Type –



part number structure

example **KBSK 25 G W UU-SK**

specification KBK : standard KBSK : anti-corrosion	outer cylinder surface treatment blank : no surface treatment SK : electroless nickel plating LF : low temperature black chrome treatment with fluoride coating SB : black oxide (not available on anti-corrosion type) SC : industrial chrome plating
inner contact diameter (dr)	seal blank : without seal UU : seals on both sides
retainer material blank : standard/steel anti-corrosion/stainless steel G : resin	double-wide type



part number				number of ball circuits	dr		major dimensions		
standard steel retainer	standard resin retainer	anti-corrosion stainless retainer	anti-corrosion resin retainer		mm	tolerance μm	D mm	tolerance μm	L ± 0.3 mm
KBK 8W	KBK 8GW	KBSK 8W	KBSK 8GW	4	8	+ 9	16	0/-13	46
KBK 12W	KBK 12GW	KBSK 12W	KBSK 12GW	4	12	- 1	22	0	61
KBK 16W	KBK 16GW	KBSK 16W	KBSK 16GW	4	16	+ 11	26	-16	68
KBK 20W	KBK 20GW	KBSK 20W	KBSK 20GW	5	20	- 1	32	0	80
KBK 25W	KBK 25GW	KBSK 25W	KBSK 25GW	6	25	+ 13	40	-19	112
KBK 30W	KBK 30GW	KBSK 30W	KBSK 30GW	6	30	- 2	47	0	123
KBK 40W	KBK 40GW	KBSK 40W	KBSK 40GW	6	40	+ 16	62	0	151
KBK 50W	KBK 50GW	KBSK 50W	KBSK 50GW	6	50	- 4	75	-22	192
KBK 60W	KBK 60GW	KBSK 60W	KBSK 60GW	6	60		90	0/-25	209

Df mm	K mm	flange			eccentricity μm	perpendicularity μm	basic load rating		allowable static moment M_o N·m	mass g	shaft diameter mm
		t mm	P.C.D. mm	X×Y×Z mm			dynamic C N	static C_o N			
32	25	5	24	3.5×6×3.1	15	15	421	804	4.3	51	8
42	32	6	32	4.5×7.5×4.1			813	1,570	11.7	90	12
46	35	6	36	4.5×7.5×4.1			921	1,780	14.2	135	16
54	42	8	43	5.5×9×5.1	17	17	1,370	2,740	25.0	225	20
62	50	8	51	5.5×9×5.1			1,570	3,140	44.0	500	25
76	60	10	62	6.6×11×6.1			2,500	5,490	78.9	720	30
98	75	13	80	9×14×8.1	20	20	3,430	8,040	147	1,600	40
112	88	13	94	9×14×8.1			6,080	15,900	396	2,620	50
134	106	18	112	11×17×11.1			7,550	20,000	487	4,480	60

1N \div 0.102kgf 1N · m \div 0.102kgf · m

KBFC TYPE (Euro Standard)

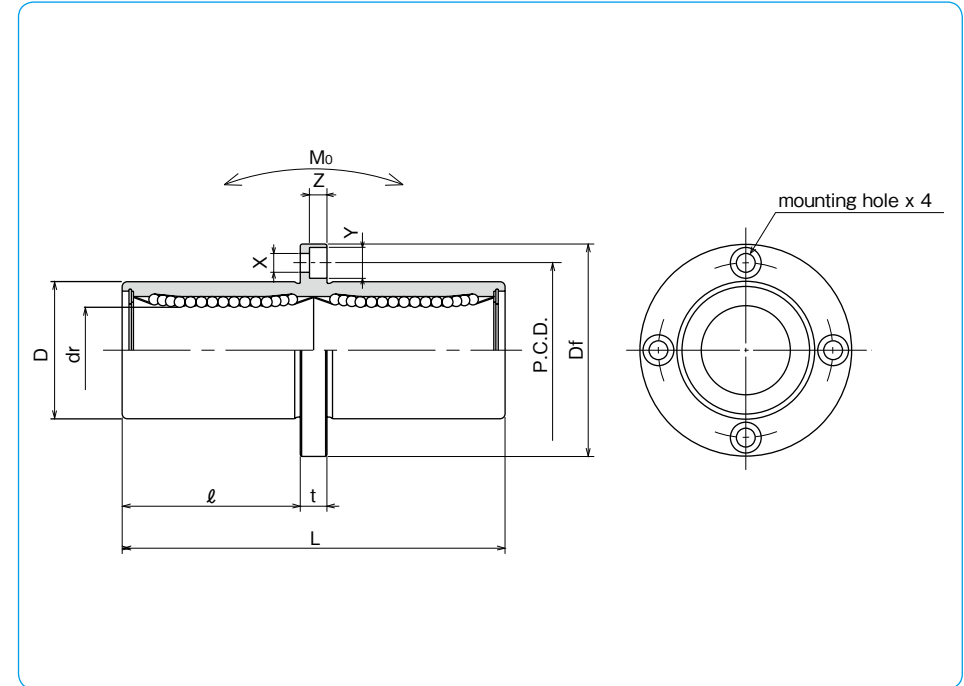
– Center Mount Round Flange Type –



part number structure

example **KBSFC 25 G UU -SK**

specification KBFC: standard KBSFC: anti-corrosion	outer cylinder surface treatment blank: no surface treatment SK: electroless nickel plating LF: low temperature black chrome treatment with fluoride coating SB: black oxide (not available on anti-corrosion type) SC: industrial chrome plating
inner contact diameter (dr)	seal blank: without seal UU: seals on both sides
retainer material blank: standard/steel G: resin	



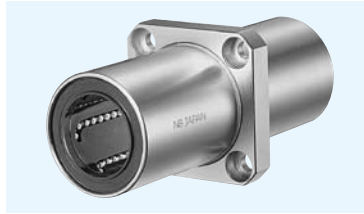
part number				number of ball circuits	dr		major dimensions		
standard steel retainer	resin retainer	anti-corrosion stainless retainer	anti-corrosion resin retainer		mm	tolerance μm	D mm	tolerance μm	L ± 0.3 mm
KBFC 8	KBFC 8G	KBSFC 8	KBSFC 8G	4	8	+ 9	16	0/-13	46
KBFC12	KBFC12G	KBSFC12	KBSFC12G	4	12	- 1	22	0	61
KBFC16	KBFC16G	KBSFC16	KBSFC16G	4	16	+ 11	26	-16	68
KBFC20	KBFC20G	KBSFC20	KBSFC20G	5	20	- 1	32	0	80
KBFC25	KBFC25G	KBSFC25	KBSFC25G	6	25	+ 13	40	-19	112
KBFC30	KBFC30G	KBSFC30	KBSFC30G	6	30	- 2	47	0	123
KBFC40	KBFC40G	KBSFC40	KBSFC40G	6	40	+ 16	62	0	151
KBFC50	KBFC50G	KBSFC50	KBSFC50G	6	50	- 4	75	-22	192
KBFC60	KBFC60G	KBSFC60	KBSFC60G	6	60		90	0/-25	209

l mm	Df mm	t mm	flange		eccentricity μm	perpendicularity μm	basic load rating		allowable static moment $\text{N} \cdot \text{m}$	mass g	shaft diameter mm
			P.C.D. mm	X×Y×Z mm			dynamic C N	static Co N			
20.5	32	5	24	3.5×6×3.1	15	15	421	804	4.3	59	8
27.5	42	6	32	4.5×7.5×4.1			813	1,570	11.7	110	12
31	46	6	36	4.5×7.5×4.1			921	1,780	14.2	160	16
36	54	8	43	5.5×9×5.1	17	17	1,370	2,740	25.0	260	20
52	62	8	51	5.5×9×5.1			1,570	3,140	44.0	540	25
56.5	76	10	62	6.6×11×6.1			2,500	5,490	78.9	815	30
69	98	13	80	9×14×8.1	20	20	3,430	8,040	147	1,805	40
89.5	112	13	94	9×14×8.1			6,080	15,900	396	2,820	50
95.5	134	18	112	11×17×11.1			7,550	20,000	487	4,920	60

1N \div 0.102kgf 1N · m \div 0.102kgf · m

KBKC TYPE (Euro Standard)

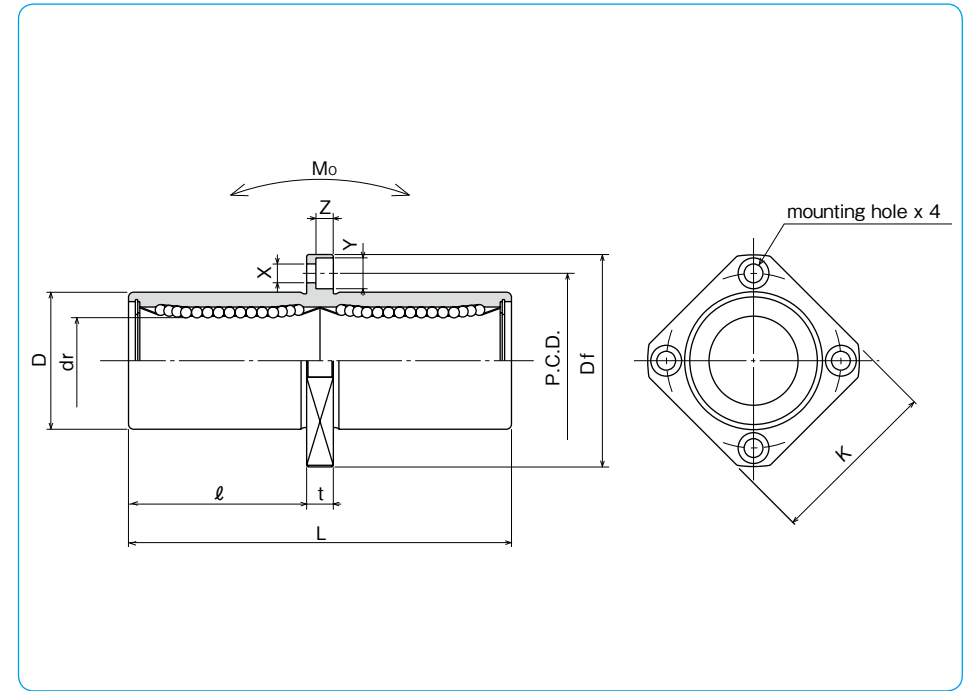
– Center Mount Square Flange Type –



part number structure

example **KBKSC 25 G UU -SK**

specification KBKC: standard KBSKC: anti-corrosion	outer cylinder surface treatment blank: no surface treatment SK: electroless nickel plating LF: low temperature black chrome treatment with fluoride coating SB: black oxide (not available on anti-corrosion type) SC: industrial chrome plating
inner contact diameter (dr)	seal blank: without seal UU: seals on both sides
retainer material blank: standard/steel G: resin	



part number				number of ball circuits	dr		major dimensions		
standard	anti-corrosion				D	L			
steel retainer	resin retainer	stainless retainer	resin retainer		mm	tolerance μm	mm	tolerance μm	± 0.3 mm
KBKC 8	KBKC 8G	KBSKC 8	KBSKC 8G	4	8	+ 9	16	0/-13	46
KBKC12	KBKC12G	KBSKC12	KBSKC12G	4	12	- 1	22	0	61
KBKC16	KBKC16G	KBSKC16	KBSKC16G	4	16	+11	26	-16	68
KBKC20	KBKC20G	KBSKC20	KBSKC20G	5	20	- 1	32	0	80
KBKC25	KBKC25G	KBSKC25	KBSKC25G	6	25	+13	40	-19	112
KBKC30	KBKC30G	KBSKC30	KBSKC30G	6	30	- 2	47	0	123
KBKC40	KBKC40G	KBSKC40	KBSKC40G	6	40	+16	62	0	151
KBKC50	KBKC50G	KBSKC50	KBSKC50G	6	50	- 4	75	-22	192
KBKC60	KBKC60G	KBSKC60	KBSKC60G	6	60		90	0/-25	209

l mm	Df mm	flange				eccentricity μm	perpendicularity μm	basic load rating		allowable static moment $\text{N} \cdot \text{m}$	mass g	shaft diameter mm
		K mm	t mm	P.C.D. mm	X×Y×Z mm			dynamic C N	static Co N			
20.5	32	25	5	24	3.5×6×3.1	15	15	421	804	4.3	51	8
27.5	42	32	6	32	4.5×7.5×4.1			813	1,570	11.7	90	12
31	46	35	6	36	4.5×7.5×4.1			921	1,780	14.2	135	16
36	54	42	8	43	5.5×9×5.1	17	17	1,370	2,740	25.0	225	20
52	62	50	8	51	5.5×9×5.1			1,570	3,140	44.0	500	25
56.5	76	60	10	62	6.6×11×6.1			2,500	5,490	78.9	720	30
69	98	75	13	80	9×14×8.1	20	20	3,430	8,040	147	1,600	40
89.5	112	88	13	94	9×14×8.1			6,080	15,900	396	2,620	50
95.5	134	106	18	112	11×17×11.1			7,550	20,000	487	4,480	60

1N \div 0.102kgf 1N \cdot m \div 0.102kgf \cdot m

SW TYPE (Inch Standard)

– Standard Type –

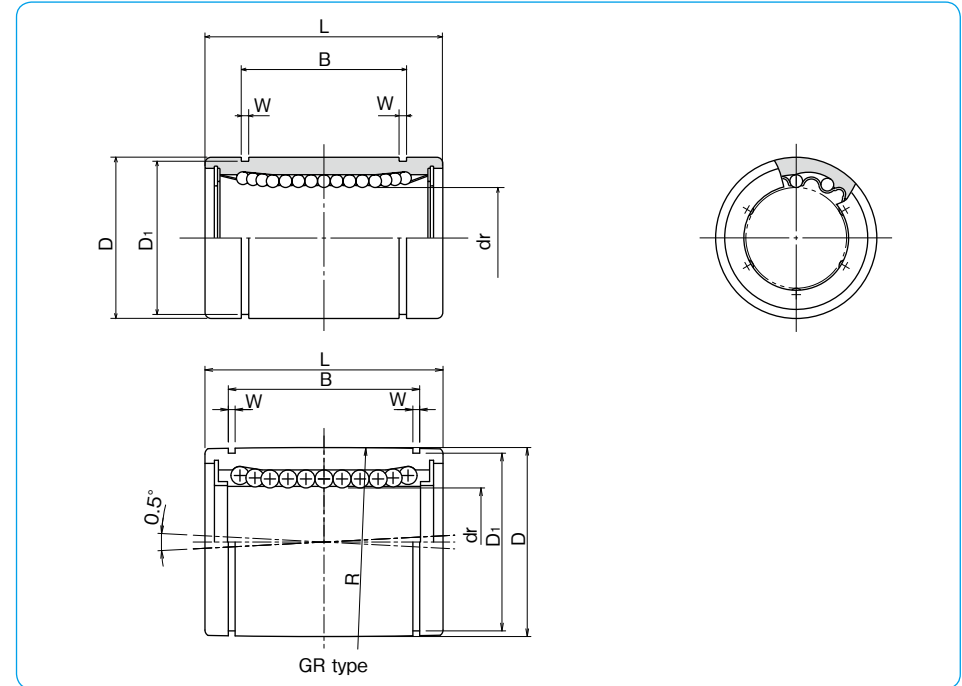


part number structure

example **SWS16GRUU-P**

specification SW : standard SWS : anti-corrosion	size	retainer material blank : standard/steel anti-corrosion/stainless steel G : resin	seal blank : without seal U : seal on one side UU : seals on both sides	accuracy grade blank : high P : precision	self aligning blank : non self aligning R : self aligning
--	------	--	---	---	---

*Seals are not available on SWS2 and SWS3.

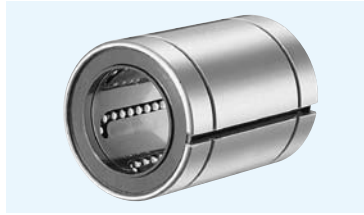


steel retainer	partnumber				number of ball circuits	majordimensions					
	standard		anti-corrosion			dr		D		inch (mm)	tolerance inch/(μm)
	resinretainer	retainer	stainless retainer	resin retainer		inch (mm)	tolerance precision	inch/(μm) high	inch (mm)		
-	-	-	SWS2	SWS2G	4	.1250 (3.175)	-	0 (-0.00035)	.3125 (7.938)	0 (-0.00040)	
-	-	-	SWS3	SWS3G	4	.1875 (4.763)	-	0 (-0.00035)	.3750 (9.525)	0 (-0.00040)	
SW4	SW4G	SW4GR	SWS4	SWS4G	4	2500 (6.350)	-	0 (-0.00045)	.5000 (12.700)	0 (-0.00045)	
SW6	SW6G	SW6GR	SWS6	SWS6G	4	.3750 (9.525)	0 (-0.00025)	0 (-0.00040)	.6250 (15.875)	0 (-0.00040)	
SW8	SW8G	SW8GR	SWS8	SWS8G	4	.5000 (12.700)	0 (-0.00025)	0 (-0.00040)	.8750 (22.225)	0 (-0.00050)	
SW10	SW10G	SW10GR	SWS10	SWS10G	4	.625 (15.875)	0 (-0.00025)	0 (-0.00040)	1.1250 (28.575)	0 (-0.00050)	
SW12	SW12G	SW12GR	SWS12	SWS12G	5	.7500 (19.050)	0 (-0.00030)	0 (-0.00040)	1.2500 (31.750)	0 (-0.00065)	
SW16	SW16G	SW16GR	SWS16	SWS16G	6	1.0000 (25.400)	0 (-0.00030)	0 (-0.00040)	1.5625 (39.688)	0 (-0.00065)	
SW20	SW20G	SW20GR	SWS20	SWS20G	6	1.2500 (31.750)	0 (-0.00030)	0 (-0.00040)	2.0000 (50.800)	0 (-0.00075)	
SW24	SW24G	SW24GR	SWS24	SWS24G	6	1.5000 (38.100)	0 (-0.00035)	0 (-0.00050)	2.3750 (60.325)	0 (-0.00075)	
SW32	SW32G	SW32GR	SWS32	SWS32G	6	2.0000 (50.800)	0 (-0.00035)	0 (-0.00050)	3.0000 (76.200)	0 (-0.00090)	
SW40	-	-	-	-	6	2.5000 (63.500)	0 (-0.00040)	0 (-0.00060)	3.7500 (95.250)	0 (-0.00090)	
SW48	-	-	-	-	6	3.0000 (76.200)	0 (-0.00040)	0 (-0.00060)	4.5000 (114.300)	0 (-0.00090)	
SW64	-	-	-	-	6	4.0000 (101.600)	0 (-0.00040)	0 (-0.00060)	6.0000 (152.400)	0 (-0.00100)	

L	B	W	D1	eccentricity		radial clearance (maximum) inch/(μm)	basicloadrating		mass g	shaft diameter inch (mm)
				precision	high		dynamic C N	static Co N		
				inch/(μm)	inch/(μm)					
5000 (12.700)		.3681 (9.35)	.2902 (7.370)	-	.0003 (8)	-.0001 (-2)	59	76	2.8 (3.175)	
.5625 (14.275)		.4311 (10.95)	.3520 (8.940)		.0003 (8)		91	110	3.6 (4.763)	
.7500 (19.050)	0 (-0.008)	.5110 (12.98)	.4687 (11.906)		.0003 (8)	.0005 (12)	206	265	9.5 (6.350)	
.8750 (22.225)		.6358 (16.15)	.5880 (14.935)		.0003 (8)	.0005 (12)	225	314	15 (9.525)	
1.2500 (31.750)		.9625 (24.46)	.8209 (20.853)		.0003 (8)	.0005 (12)	510	784	42 (12.700)	
1.5000 (38.100)		1.1039 (28.575)	1.0590 (26.899)		.0003 (8)	.0005 (12)	774	1,180	85 (15.875)	
1.6250 (41.275)		1.1657 (29.61)	1.1760 (29.870)		.0004 (10)	.0006 (15)	862	1,370	104 (19.050)	
1.7500 (44.450)		1.7547 (44.57)	1.4687 (37.306)		.0004 (10)	.0006 (15)	980	1,570	220 (25.400)	
2.6250 (66.675)	0 (-0.012)	2.0047 (50.800)	1.8859 (47.904)		.0005 (12)	.0008 (20)	1,570	2,740	465 (1-1/4 (31.750))	
3.0000 (76.200)		2.4118 (61.26)	2.2389 (56.870)		.0005 (12)	.0008 (20)	2,180	4,020	720 (1-1/2 (38.100))	
4.0000 (101.600)		3.1917 (81.07)	2.8379 (72.085)		.0007 (17)	.0010 (25)	3,820	7,940	1,310 (50.800)	
5.0000 (127.000)		3.9760 (100.99)	3.5519 (90.220)		.0007 (17)	.0010 (25)	4,700	10,000	2,600 (63.500)	
6.0000 (152.400)	0 (-0.016)	4.726 (120.04)	4.3100 (109.474)		.0008 (20)	.0012 (30)	7,350	16,000	4,380 (76.200)	
8.0000 (203.200)		6.258 (158.95)	5.745 (145.923)		.0008 (20)	.0012 (30)	14,100	34,800	10,200 (101.600)	

SW-AJ TYPE (Inch Standard)

– Clearance Adjustable Type –



part number structure

example **SWS16GRUU-AJ**

specification
SW: standard
SWS: anti-corrosion

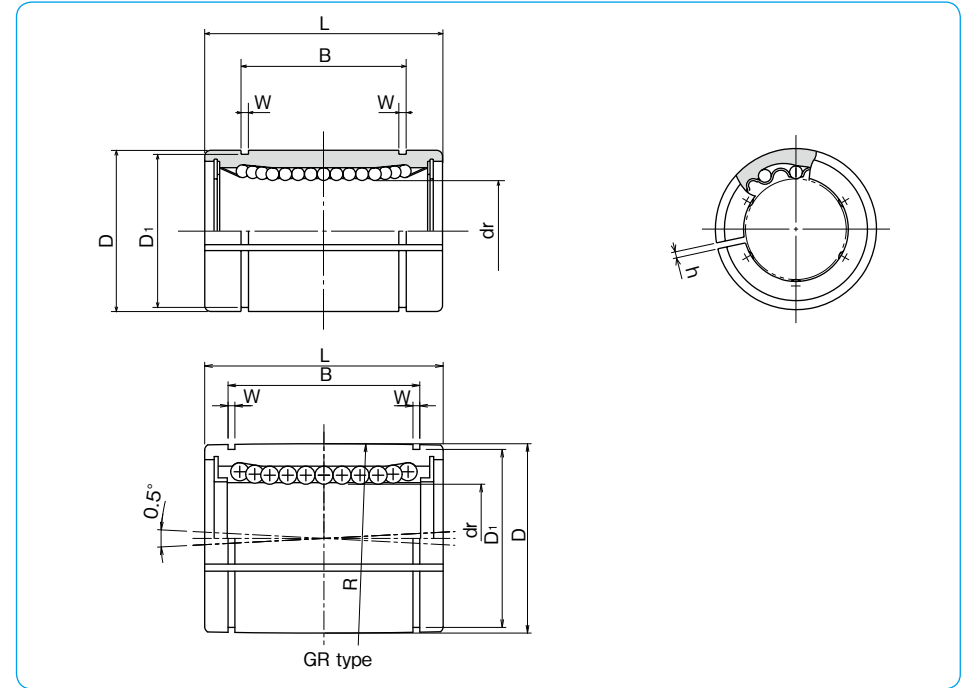
size

retainer material
blank: standard/steel
 anti-corrosion/stainless steel
G: resin

clearance-adjustable

seal
blank: without seal
U: seal on one side
UU: seals on both sides

self aligning
blank: non self aligning
R: self aligning



steelretainer	partnumber		number ofball circuits	majordimensions					
	standard	anti-corrosion		dr		D			
	resinretainer	stainless retainer		inch (mm)	tolerance* inch/(μm)	inch (mm)	tolerance* inch/(μm)		
-	SW4G-AJ	-	-	SWS4G-AJ	4	.2500 (6.350)		.5000 (12.700)	-0.0045 (-11)
-	SW6G-AJ	-	-	SWS6G-AJ	4	.3750 (9.525)	0 (-9)	.6250 (15.875)	0
SW8-AJ	SW8G-AJ	SW8GR-AJ	SWS8-AJ	SWS8G-AJ	4	5.0000 (12.700)		.8750 (22.225)	-0.00050 (-13)
SW10-AJ	SW10G-AJ	SW10GR-AJ	SWS10-AJ	SWS10G-AJ	4	.625 (15.875)		1.1250 (28.575)	0
SW12-AJ	SW12G-AJ	SW12GR-AJ	SWS12-AJ	SWS12G-AJ	5	.7500 (19.050)	0 (-10)	1.2500 (31.750)	-0.00065 (-16)
SW16-AJ	SW16G-AJ	SW16GR-AJ	SWS16-AJ	SWS16G-AJ	6	1.0000 (25.400)		1.5625 (39.688)	0
SW20-AJ	SW20G-AJ	SW20GR-AJ	SWS20-AJ	SWS20G-AJ	6	1.2500 (31.750)	0 (-12)	2.0000 (50.800)	-0.00075 (-19)
SW24-AJ	SW24G-AJ	SW24GR-AJ	SWS24-AJ	SWS24G-AJ	6	1.5000 (38.100)		2.3750 (60.325)	0
SW32-AJ	SW32G-AJ	SW32GR-AJ	SWS32-AJ	SWS32G-AJ	6	2.0000 (50.800)		3.0000 (76.200)	0
SW40-AJ	-	-	-	-	6	2.5000 (63.500)	0 (-15)	3.7500 (95.250)	-0.00090 (-22)
SW48-AJ	-	-	-	-	6	3.0000 (76.200)		4.50000 (114.300)	0
SW64-AJ	-	-	-	-	6	4.0000 (101.600)	-0.00090 (-20)	6.0000 (152.400)	-0.0100 (-25)

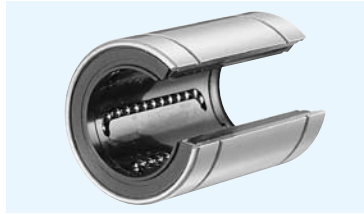
* Accuracy is measured prior to machining clearance slit.

L		B		W	D ₁	h	eccentricity* inch (μm)	basicloadrating		mass g	shaft diameter inch (mm)
inch (mm)	tolerance inch/(mm)	inch (mm)	tolerance inch/(mm)	inch (mm)	inch (mm)	inch (mm)		dynamic C N	static Co N		
.7500 (19.050)	0 (-0.2)	.5100 (12.98)	0 (-0.2)	.0390 (0.992)	.4687 (11.906)	.04 (1)	.0005 (12)	206	265	7.5	1/4 (6.350)
.8750 (22.225)		.6358 (12.15)		.0390 (0.992)	.5880 (14.935)	.04 (1)		225	314	13.5	3/8 (9.525)
1.2500 (31.750)		.9625 (24.46)		.0459 (1.168)	.8209 (20.853)	.06 (1.5)		510	784	41	1/2 (12.700)
1.5000 (38.100)		1.1039 (28.04)		.0559 (1.422)	1.0590 (26.899)	.06 (1.5)		774	1,180	83	5/8 (15.875)
1.6250 (41.275)	0 (-0.3)	1.1657 (29.61)	0 (-0.3)	.0559 (1.422)	1.1760 (29.870)	.06 (1.5)	.0006 (15)	862	1,370	102	3/4 (19.050)
2.2500 (57.150)		1.7547 (44.57)		.0679 (1.727)	1.4687 (37.306)	.06 (1.5)		980	1,570	218	1 (25.400)
2.6250 (66.675)		2.0047 (50.92)		.0679 (1.727)	1.8859 (47.904)	.10 (2.5)		1,570	2,740	455	1-1/4 (31.750)
3.0000 (76.200)		2.4118 (61.26)		0.859 (2.184)	2.2389 (56.870)	.12 (3)		2,180	4,020	710	1-1/2 (38.100)
4.0000 (101.600)	0 (-0.4)	3.1917 (81.07)	0 (-0.4)	.1029 (2.616)	2.8379 (72.085)	.12 (3)	.0010 (25)	3,820	7,940	1,290	2 (50.800)
5.0000 (127.000)		3.9760 (100.99)		.1200 (3.048)	3.5519 (90.220)	.12 (3)		4,700	10,000	2,560	2-1/2 (63.500)
6.0000 (152.400)		4.726 (120.04)		.1200 (3.048)	4.3100 (109.474)	.12 (3)		7,350	16,000	4,350	3 (76.200)
8.0000 (203.200)		6.258 (158.95)		.1389 (3.530)	5.745 (145.923)	.12 (3)		14,100	34,800	10,150	4 (101.600)

1N≅0.225lbf 1kg≅2.205lbs

SW-OP TYPE (Inch Standard)

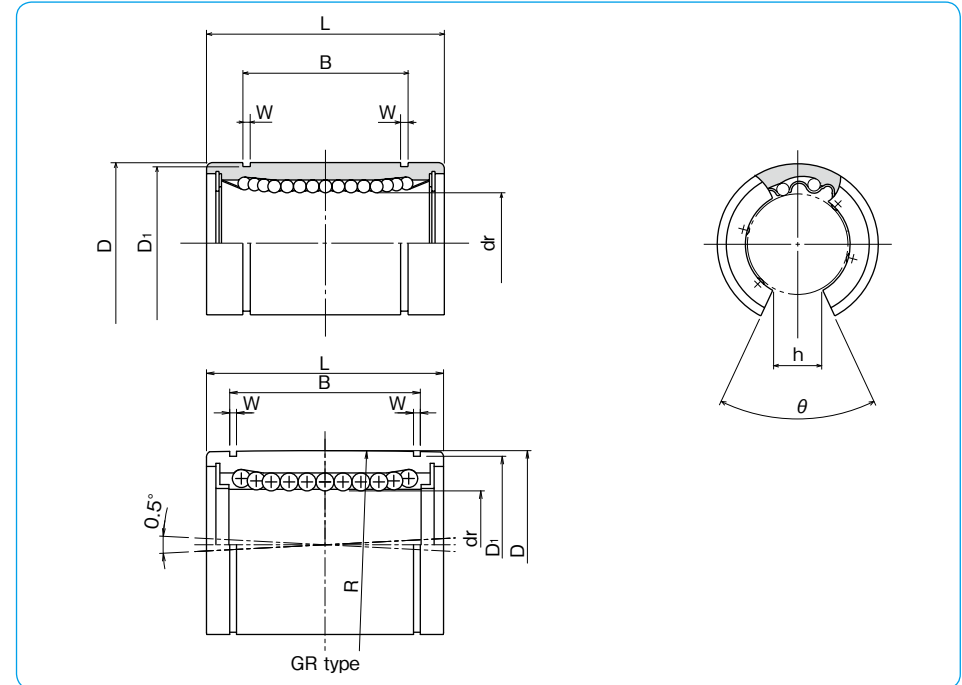
– Open Type –



part number structure

example **SWS 16 G R UU-OP**

specification SW : standard SWS : anti-corrosion	size	retainer material blank : standard/steel anti-corrosion/stainless steel G : resin	open type	seal blank : without seal U : seal on one side UU : seals on both sides	self aligning blank : non self aligning R : self aligning
--	------	--	-----------	---	---



steel retainer	part number				number of ball circuits	major dimensions			
	standard		anti-corrosion			dr		D	
	steel retainer	resin retainer	steel retainer	resin retainer		inch (mm)	tolerance* inch/(μm)	inch (mm)	tolerance* inch/(μm)
SW 8-OP	SW 8G-OP	SW 8GR-OP	SWS 8-OP	SWS 8G-OP	3	.5000 (12.700)	0 (-0.00040)	.8750 (22.225)	0 (-0.00050)
SW10-OP	SW10G-OP	SW10GR-OP	SWS10-OP	SWS10G-OP	3	.625 (15.875)	0 (-0.00040)	1.1250 (28.575)	0 (-0.00050)
SW12-OP	SW12G-OP	SW12GR-OP	SWS12-OP	SWS12G-OP	4	.7500 (19.050)	0 (-0.00040)	1.2500 (31.750)	0 (-0.00065)
SW16-OP	SW16G-OP	SW16GR-OP	SWS16-OP	SWS16G-OP	5	1.0000 (25.400)	0 (-0.00040)	1.5625 (39.688)	0 (-0.00065)
SW20-OP	SW20G-OP	SW20GR-OP	SWS20-OP	SWS20G-OP	5	1.2500 (31.750)	0 (-0.00040)	2.0000 (50.800)	0 (-0.00075)
SW24-OP	SW24G-OP	SW24GR-OP	SWS24-OP	SWS24G-OP	5	1.5000 (38.100)	0 (-0.00050)	2.3750 (60.325)	0 (-0.00075)
SW32-OP	SW32G-OP	SW32GR-OP	SWS32-OP	SWS32G-OP	5	2.0000 (50.800)	0 (-0.00050)	3.0000 (76.200)	0 (-0.00075)
SW40-OP	-	-	-	-	5	2.5000 (63.500)	0 (-0.00060)	3.7500 (95.250)	0 (-0.00090)
SW48-OP	-	-	-	-	5	3.0000 (76.200)	0 (-0.00060)	4.5000 (114.300)	0 (-0.00090)
SW64-OP	-	-	-	-	5	4.0000 (101.600)	0 (-0.00080)	6.0000 (152.400)	0 (-0.00100)

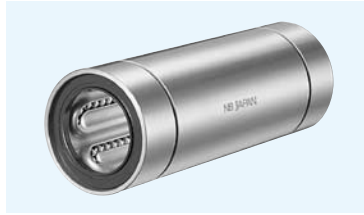
* Accuracy is measured prior to machining clearance slit.

L	tolerance	B	tolerance	W	D ₁	h	θ	eccentricity*	basic load rating		mass	shaft diameter
									dynamic C	static Co		
inch (mm)	inch/(mm)	inch (mm)	inch/(mm)	inch (mm)	inch (mm)	inch (mm)		inch (μm)	N	N	g	inch (mm)
1.2500 (31.750)	0	.9625 (24.46)	0	.0459 (1.168)	.8209 (20.853)	.34 (7.9375)	80°	.0005 (12)	510	784	32	1/2 (12.700)
1.5000 (38.100)	-0.008 (-0.2)	1.1039 (28.04)	-0.008 (-0.2)	.0559 (1.422)	1.0590 (26.899)	.375 (9.5250)	80°	.0005 (12)	774	1,180	64	5/8 (15.875)
1.6250 (41.275)	0	1.1657 (29.61)	0	.0559 (1.422)	1.1760 (29.870)	.4375 (11.1125)	60°	.0006 (15)	862	1,370	86	3/4 (19.050)
2.2500 (57.150)	0	1.7547 (44.57)	0	.0679 (1.727)	1.4687 (37.306)	.5625 (14.2875)	50°	.0006 (15)	980	1,570	190	1 (25.400)
2.6250 (66.675)	0	2.0047 (50.92)	0	.0679 (1.727)	1.8859 (47.904)	.625 (15.875)	50°	.0008 (20)	1,570	2,740	390	1-1/4 (31.750)
3.0000 (76.200)	-0.012 (-0.3)	2.4118 (61.26)	-0.012 (-0.3)	0.859 (2.184)	2.2389 (56.870)	.75 (19.05)	50°	.0008 (20)	2,180	4,020	610	1-1/2 (38.100)
4.0000 (101.600)	0	3.1917 (81.07)	0	.1029 (2.616)	2.8379 (72.085)	1.0 (25.40)	50°	.0010 (25)	3,820	7,940	1,120	2 (50.800)
5.0000 (127.000)	-0.016 (-0.4)	3.9760 (100.99)	-0.016 (-0.4)	.1200 (3.048)	3.5519 (90.220)	1.25 (31.75)	50°	.0010 (25)	4,700	10,000	2,230	2-1/2 (63.500)
6.0000 (152.400)	0	4.726 (120.04)	0	.1200 (3.048)	4.3100 (109.474)	1.5 (38.10)	50°	.0012 (30)	7,350	16,000	3,750	3 (76.200)
8.0000 (203.200)	-0.016 (-0.4)	6.258 (158.95)	-0.016 (-0.4)	.1389 (3.530)	5.745 (145.923)	2.0 (50.80)	50°	.0012 (30)	14,100	34,800	8,740	4 (101.60)

1N≐0.225lbf 1kg≐2.205lbs

SW-W TYPE (Inch Standard)

– Double-Wide Type –



part number structure

example **SWS 16 G W UU**

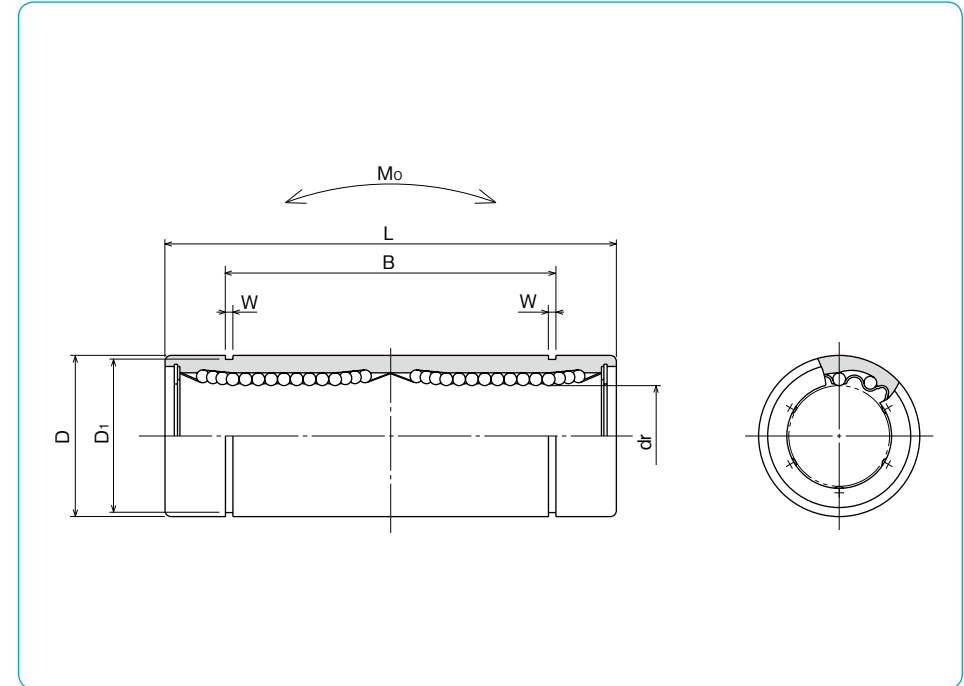
specification
SW: standard
SWS: anti-corrosion

size

retainer material
blank: standard/steel
 anti-corrosion/stainless steel
G: resin

seal
blank: without seal
UU: seals on both sides

double-wide type



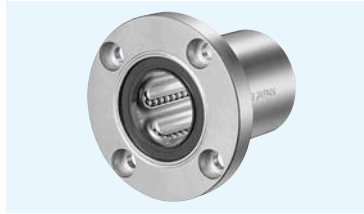
part number				number of ball circuits	dr		major dimensions	
standard steel retainer	resin retainer	anti-corrosion stainless retainer	resin retainer		inch (mm)	tolerance inch/(μm)	inch (mm)	tolerance inch/(μm)
SW 4W	SW 4GW	SWS 4W	SWS 4GW	4	.2500 (6.350)		.5000 (12.700)	⁰ / _{-.00050 (-13)}
SW 6W	SW 6GW	SWS 6W	SWS 6GW	4	.3750 (9.525)	⁰ / _{-.00040 (-10)}	.6250 (15.875)	⁰ / _{-.00065 (-16)}
SW 8W	SW 8GW	SWS 8W	SWS 8GW	4	.5000 (12.700)		.8750 (22.225)	⁰ / _{-.00065 (-16)}
SW 10W	SW 10GW	SWS 10W	SWS 10GW	4	.6250 (15.875)		1.1250 (28.575)	⁰ / _{-.00075 (-19)}
SW 12W	SW 12GW	SWS 12W	SWS 12GW	5	.7500 (19.050)	⁰ / _{-.00050 (-12)}	1.2500 (31.750)	⁰ / _{-.00075 (-19)}
SW 16W	SW 16GW	SWS 16W	SWS 16GW	6	1.0000 (25.400)		1.5625 (39.688)	⁰ / _{-.00090 (-22)}
SW 20W	SW 20GW	SWS 20W	SWS 20GW	6	1.2500 (31.750)	⁰ / _{-.00060 (-15)}	2.0000 (50.800)	⁰ / _{-.00100 (-25)}
SW 24W	SW 24GW	SWS 24W	SWS 24GW	6	1.5000 (38.100)		2.3750 (60.325)	⁰ / _{-.00100 (-25)}
SW 32W	SW 32GW	SWS 32W	SWS 32GW	6	2.0000 (50.800)		3.0000 (76.200)	⁰ / _{-.00100 (-25)}

L		B		W	D ₁	eccentricity inch (μm)	basic load rating		allowable static moment Mo N·m	mass g	shaft diameter inch (mm)
inch (mm)	tolerance inch/(mm)	inch (mm)	tolerance inch/(mm)	inch (mm)	inch (mm)		dynamic C N	static Co N			
1.3750 (34.925)		1.0220 (25.959)		.0390 (0.992)	.4687 (11.906)	.0006 (15)	323	530	2.0	17.5	1/4 (6.350)
1.5938 (40.481)		1.2716 (32.298)		.0390 (0.992)	.5880 (14.935)		353	630	2.7	28	3/8 (9.525)
2.3750 (60.325)	⁰ / _{-.012 (-0.3)}	1.9250 (48.895)	⁰ / _{-.012 (-0.3)}	.0459 (1.168)	.8209 (20.853)	.0008 (20)	813	1,570	11.5	80	1/2 (12.700)
2.8125 (71.438)		2.2079 (56.080)		.0559 (1.422)	1.0590 (26.899)		1,230	2,350	20.0	160	5/8 (15.875)
3.0937 (78.581)		2.3314 (59.218)		.0559 (1.422)	1.1760 (29.870)	.0010 (25)	1,370	2,740	26.5	195	3/4 (19.050)
4.2813 (108.744)		3.5094 (89.139)		.0679 (1.727)	1.4687 (37.306)		1,570	3,140	41.2	410	1 (25.400)
5.0000 (127.000)	⁰ / _{-.016 (-0.4)}	4.0094 (101.839)	⁰ / _{-.016 (-0.4)}	.0679 (1.727)	1.8859 (47.904)	.0012 (30)	2,500	5,490	84.8	820	1-1/4 (31.750)
5.6875 (144.463)		4.8236 (122.519)		.0859 (2.184)	2.2389 (56.870)		3,430	8,040	143	1,250	1-1/2 (38.100)
7.7500 (196.850)		6.3834 (162.138)		.1029 (2.616)	2.8379 (72.085)		6,080	15,900	399	2,350	2 (50.800)

1N≒0.225lbf 1N·m≒0.738lb·ft
 1kg≒2.205lbs

SWF TYPE (Inch Standard)

– Round Flange Type –



part number structure

example **SWSF 16 G UU-SK**

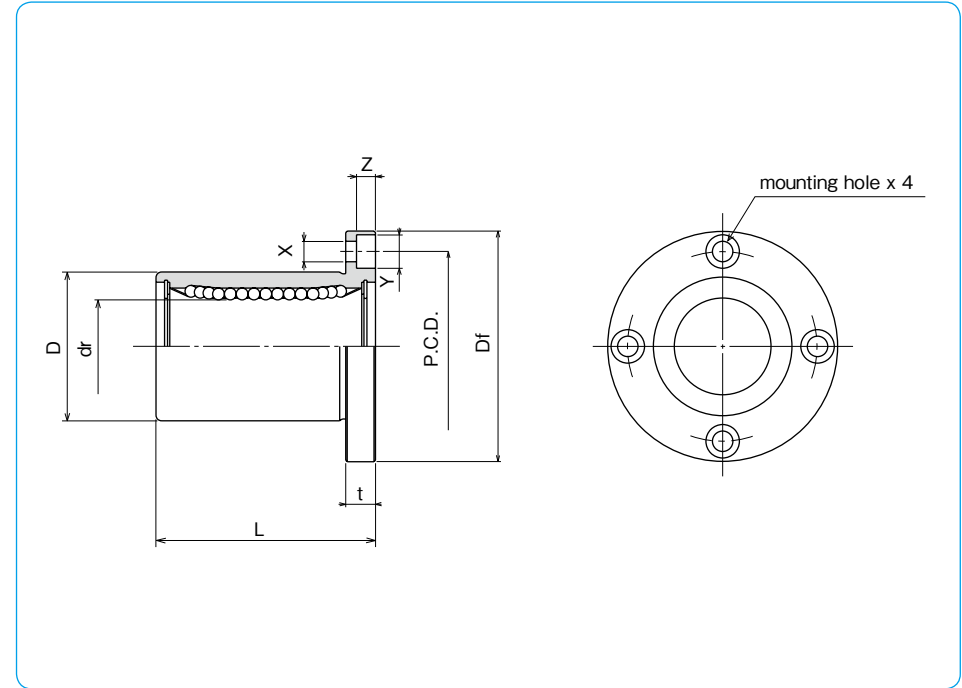
specification
SWF: standard
SWSF: anti-corrosion

size

retainer material
blank: standard/steel
 anti-corrosion/stainless steel
G: resin

outer cylinder
 surface treatment
blank: no surface treatment
SK: electroless nickel plating
LF: low temperature black chrome
 treatment with fluoride coating
SB: black oxide (not available on
 anti-corrosion type)
SC: industrial chrome plating

seal
blank: without seal
UU: seals on both sides



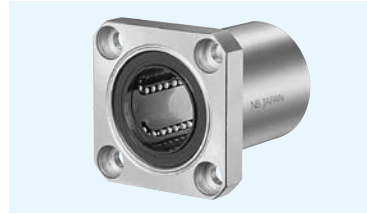
part number				number of ball circuits	major dimensions				
standard	anti-corrosion	number of ball circuits	dr		D	L			
steel retainer	resin retainer	stainless retainer	resin retainer	inch (mm)	tolerance inch/(μm)	inch (mm)	tolerance inch/(μm)	±0.012 (±0.3) inch/(mm)	
SWF 4	SWF 4G	SWSF 4	SWSF 4G	4	.2500 (6.350)		.5000 (12.700)	⁰ _{-.00050 (-13)}	.7500 (19.050)
SWF 6	SWF 6G	SWSF 6	SWSF 6G	4	.3750 (9.525)	⁰ _{-.00040 (-9)}	.6250 (15.875)	⁰ _{-.00065 (-16)}	.8750 (22.225)
SWF 8	SWF 8G	SWSF 8	SWSF 8G	4	.5000 (12.700)		.8750 (22.225)	⁰ _{-.00075 (-19)}	1.2500 (31.750)
SWF10	SWF10G	SWSF10	SWSF10G	4	.6250 (15.875)		1.1250 (28.575)	⁰ _{-.00090 (-22)}	1.5000 (38.100)
SWF12	SWF12G	SWSF12	SWSF12G	5	.7500 (19.050)		1.2500 (31.750)	⁰ _{-.00100 (-25)}	1.6250 (41.275)
SWF16	SWF16G	SWSF16	SWSF16G	6	1.0000 (25.400)		1.5625 (39.688)	⁰ _{-.00115 (-29)}	2.2500 (57.150)
SWF20	SWF20G	SWSF20	SWSF20G	6	1.2500 (31.750)		2.0000 (50.800)	⁰ _{-.00120 (-30)}	2.6250 (66.675)
SWF24	SWF24G	SWSF24	SWSF24G	6	1.5000 (38.100)		2.3750 (60.325)	⁰ _{-.00125 (-31)}	3.0000 (76.200)
SWF32	SWF32G	SWSF32	SWSF32G	6	2.0000 (50.800)		3.0000 (76.200)	⁰ _{-.00130 (-33)}	4.0000 (101.600)
SWF40	–	–	–	6	2.5000 (63.500)		3.7500 (95.250)	⁰ _{-.00135 (-34)}	5.0000 (127.000)
SWF48	–	–	–	6	3.0000 (76.200)		4.5000 (114.300)	⁰ _{-.00140 (-35)}	6.0000 (152.400)
SWF64	–	–	–	6	4.0000 (101.600)		6.0000 (152.400)	⁰ _{-.00145 (-36)}	8.0000 (203.200)

Df	t	flange		eccentricity	perpendicularity	basic load rating		mass	shaft diameter
		P.C.D.	X × Y × Z			dynamic C	static Co		
inch/(mm)	inch/(mm)	inch/(mm)	inch/(mm)	inch (μm)	inch (μm)	N	N	g	inch (mm)
1.2500 (31.750)	0.219 (5.556)	.8750 (22.225)	.1560 × .2500 × .1410 (3.969 × 6.350 × 3.572)	.0005 (12)	.0005 (12)	206	265	32	1/4 (6.350)
1.5000 (38.100)	.2500 (6.350)	1.0620 (26.988)	.1875 × .2970 × .1720 (4.763 × 7.541 × 4.366)			225	314	47	3/8 (9.525)
1.7500 (44.450)	.2500 (6.350)	1.312 (33.338)	.1875 × .2970 × .1720 (4.763 × 7.541 × 4.366)			510	784	88	1/2 (12.700)
2.0000 (50.800)	.2500 (6.350)	1.5620 (39.688)	.1875 × .2970 × .1720 (4.763 × 7.541 × 4.366)			774	1,180	140	5/8 (15.875)
2.1875 (55.563)	.3125 (7.938)	1.7180 (43.660)	.2187 × .3440 × .2030 (5.556 × 8.731 × 5.159)	.0006 (15)	.0006 (15)	862	1,370	190	3/4 (19.050)
2.5000 (63.500)	.3125 (7.938)	2.0310 (51.594)	.2187 × .3440 × .2030 (5.556 × 8.731 × 5.159)			980	1,570	325	1 (25.400)
3.1250 (79.375)	.3750 (9.525)	2.5625 (65.088)	.2812 × .4060 × .2656 (7.144 × 10.319 × 6.747)	.0008 (20)	.0008 (20)	1,570	2,740	665	1-1/4 (31.750)
3.7500 (95.250)	.5000 (12.700)	3.0625 (77.788)	.3440 × .5000 × .3280 (8.731 × 12.700 × 8.334)			2,180	4,020	1,100	1-1/2 (38.100)
4.3750 (111.125)	.5000 (12.700)	3.6875 (93.662)	.3440 × .5000 × .3280 (8.731 × 12.700 × 8.334)	.0010 (25)	.0010 (25)	3,820	7,940	1,760	2 (50.800)
5.3750 (136.525)	.7500 (19.050)	4.5625 (115.887)	.4062 × .6250 × .3750 (10.319 × 15.875 × 9.525)			4,700	10,000	3,570	2-1/2 (63.500)
6.1250 (155.575)	.7500 (19.050)	5.3125 (134.937)	.4062 × .6250 × .3750 (10.319 × 15.875 × 9.525)			7,350	16,000	5,600	3 (76.200)
8.0000 (203.200)	.8750 (22.225)	7.0000 (177.800)	.5000 × .7125 × .5000 (12.700 × 18.097 × 12.700)	.0012 (30)	.0012 (30)	14,100	34,800	12,000	4 (101.600)

1N ≅ 0.225lbf 1kg ≅ 2.205lbf

SWK TYPE (Inch Standard)

– Square Flange Type –



part number structure

example **SWSK 16 G UU-SK**

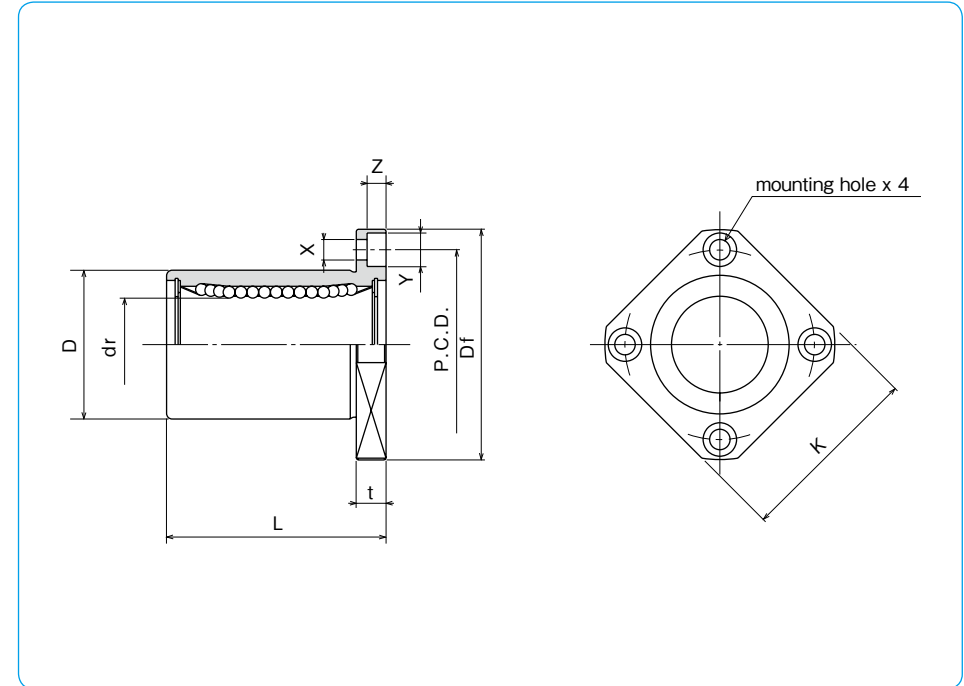
specification
SWK: standard
SWSK: anti-corrosion

size

retainer material
blank: standard/steel
 anti-corrosion/stainless steel
G: resin

outer cylinder
 surface treatment
blank: no surface treatment
SK: electroless nickel plating
LF: low temperature black chrome
 treatment with fluoride coating
SB: black oxide (not available on
 anti-corrosion type)
SC: industrial chrome plating

seal
blank: without seal
UU: seals on both sides



part number				number of ball circuits	major dimensions					
standard steel retainer	anti-corrosion resin retainer	stainless steel retainer	resin retainer		dr		D		L	
inch (mm)	inch (mm)	inch (mm)	inch (mm)	inch (mm)	tolerance inch/(μm)	inch (mm)	tolerance inch/(μm)	±0.012 (±0.3) inch/(mm)		
SWK 4	SWK 4G	SWSK 4	SWSK 4G	4	.2500 (6.350)		.5000 (12.700)	⁰ _{-.00050 (-13)}	.7500 (19.050)	
SWK 6	SWK 6G	SWSK 6	SWSK 6G	4	.3750 (9.525)	⁰ _{-.00040 (-9)}	.6250 (15.875)	⁰ _{-.00065 (-16)}	.8750 (22.225)	
SWK 8	SWK 8G	SWSK 8	SWSK 8G	4	.5000 (12.700)		.7500 (19.050)	⁰ _{-.00075 (-19)}	1.2500 (31.750)	
SWK 10	SWK 10G	SWSK 10	SWSK 10G	4	.6250 (15.875)		1.1250 (28.575)	⁰ _{-.00090 (-22)}	1.5000 (38.100)	
SWK 12	SWK 12G	SWSK 12	SWSK 12G	5	.7500 (19.050)		1.2500 (31.750)	⁰ _{-.00100 (-25)}	1.6250 (41.275)	
SWK 16	SWK 16G	SWSK 16	SWSK 16G	6	1.0000 (25.400)		1.5625 (39.688)	⁰ _{-.00115 (-29)}	2.2500 (57.150)	
SWK20	SWK20G	SWSK20	SWSK20G	6	1.2500 (31.750)		2.0000 (50.800)	⁰ _{-.00125 (-32)}	2.6250 (66.675)	
SWK24	SWK24G	SWSK24	SWSK24G	6	1.5000 (38.100)		2.3750 (60.325)	⁰ _{-.00135 (-34)}	3.0000 (76.200)	
SWK32	SWK32G	SWSK32	SWSK32G	6	2.0000 (50.800)		3.0000 (76.200)	⁰ _{-.00145 (-37)}	4.0000 (101.600)	
SWK40	–	–	–	6	2.5000 (63.500)		3.7500 (95.250)	⁰ _{-.00155 (-39)}	5.0000 (127.000)	
SWK48	–	–	–	6	3.0000 (76.200)		4.5000 (114.300)	⁰ _{-.00165 (-42)}	6.0000 (152.400)	
SWK64	–	–	–	6	4.0000 (101.600)		6.0000 (152.400)	⁰ _{-.00175 (-44)}	8.0000 (203.200)	

flange					eccentricity inch (μm)	perpendicularity inch (μm)	basic load rating		mass g	shaft diameter inch (mm)
Df	K	t	P.C.D.	X×Y×Z			dynamic C N	static Co N		
inch/(mm)	inch/(mm)	inch/(mm)	inch/(mm)	inch/(mm)	inch (μm)	inch (μm)				
1.2500 (31.750)	1.0000 (25.400)	0.219 (5.556)	.8750 (22.225)	.1560 x .2500 x .1410 (3.969 x 6.350 x 3.572)	.0005 (12)	.0005 (12)	206	265	25 (6.350)	1/4
1.5000 (38.100)	1.2500 (31.750)	.2500 (6.350)	1.0620 (26.988)	.1875 x .2970 x .1720 (4.763 x 7.541 x 4.366)			225	314	32 (9.525)	3/8
1.7500 (44.450)	1.3750 (34.925)	.2500 (6.350)	1.312 (33.338)	.1875 x .2970 x .1720 (4.763 x 7.541 x 4.366)			510	784	68 (12.700)	1/2
2.0000 (50.800)	1.5000 (38.100)	.2500 (6.350)	1.5620 (39.688)	.1875 x .2970 x .1720 (4.763 x 7.541 x 4.366)			774	1,180	124 (15.875)	5/8
2.1875 (55.563)	1.6875 (42.863)	.3125 (7.938)	1.7180 (43.660)	2187 x .3440 x .2030 (5.556 x 8.731 x 5.159)	.0006 (15)	.0006 (15)	862	1,370	150 (19.050)	3/4
2.5000 (63.500)	2.0000 (50.800)	.3125 (7.938)	2.0310 (51.594)	2187 x .3440 x .2030 (5.556 x 8.731 x 5.159)			980	1,570	280 (25.400)	1
3.1250 (79.375)	2.5000 (63.500)	.3750 (9.525)	2.5625 (65.088)	2812 x .4060 x .2656 (7.144 x 10.319 x 6.747)			1,570	2,740	580 (31.750)	1-1/4
3.7500 (95.250)	3.0000 (76.200)	.5000 (12.700)	3.0625 (77.788)	3440 x .5000 x .3280 (8.731 x 12.700 x 8.334)			2,180	4,020	930 (38.100)	1-1/2
4.3750 (111.125)	3.5000 (88.900)	.5000 (12.700)	3.6875 (93.662)	3440 x .5000 x .3280 (8.731 x 12.700 x 8.334)	.0008 (20)	.0008 (20)	3,820	7,940	1,580 (50.800)	2
5.3750 (136.525)	4.3750 (111.125)	.7500 (19.050)	4.5625 (115.887)	.4062 x .6250 x .3750 (10.319 x 15.875 x 9.525)			4,700	10,000	3,200 (63.500)	2-1/2
6.1250 (155.575)	5.0000 (127.000)	.7500 (19.050)	5.3125 (134.937)	.4062 x .6250 x .3750 (10.319 x 15.875 x 9.525)			7,350	16,000	5,000 (76.200)	3
8.0000 (203.200)	6.7500 (171.450)	.8750 (22.225)	7.0000 (177.800)	.5000 x .7125 x .5000 (12.700 x 18.097 x 12.700)	.0012 (30)	.0012 (30)	14,100	34,800	11,300 (101.600)	4

1N ≅ 0.225lbf 1kg ≅ 2.205lbf

SWT TYPE (Inch Standard)

– Two Side Cut Flange Type –



part number structure

example **SWST 12 G UU -SK**

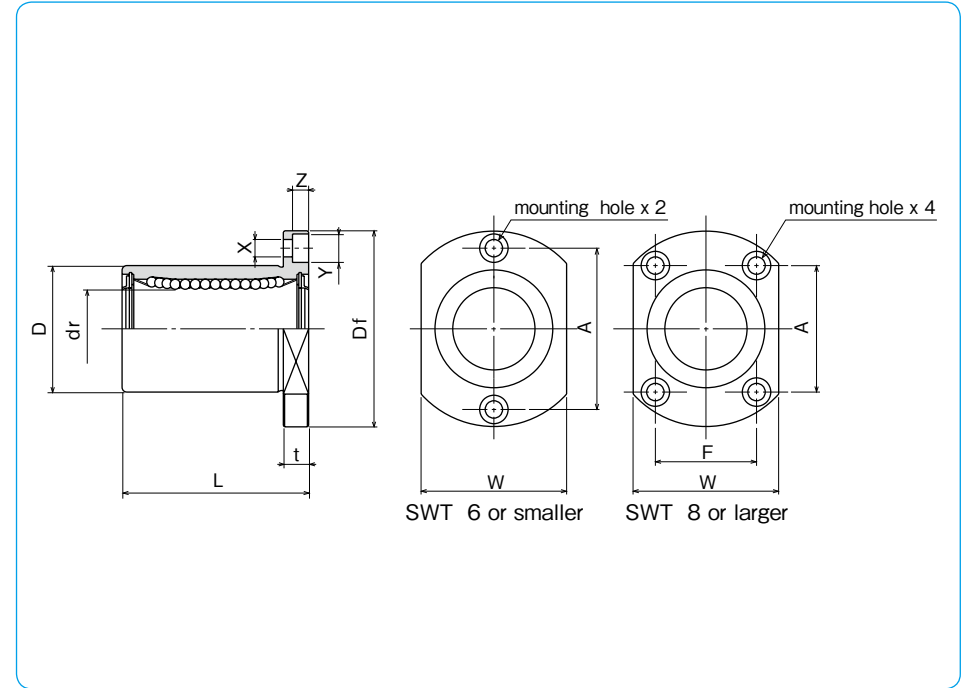
specification
SWT: standard
SWST: anti-corrosion

size

retainer material
blank: standard/steel
 anti-corrosion/stainless steel
G: resin

outer cylinder
 surface treatment
blank: no surface treatment
SK: electroless nickel plating
LF: low temperature black chrome
 treatment with fluoride coating
SB: black oxide (not available on
 anti-corrosion type)
SC: industrial chrome plating

seals on both sides



part number				number of ball circuits	major dimensions			
standard		anti-corrosion			dr		D	
steel retainer	resin retainer	stainless retainer	resin retainer	inch (mm)	tolerance inch/(μm)	inch (mm)	tolerance inch/(μm)	±.012 (±0.3) inch/(mm)
SWT 4 UU	SWT 4G UU	SWST 4 UU	SWST 4G UU	.2500 (6.350)		.5000 (12.700)	⁰ / ₍₋₁₃₎	.7500 (19.050)
SWT 6 UU	SWT 6G UU	SWST 6 UU	SWST 6G UU	.3750 (9.525)	⁰ / ₍₋₉₎	.6250 (15.875)	⁰ / ₍₋₁₆₎	.8750 (22.225)
SWT 8 UU	SWT 8G UU	SWST 8 UU	SWST 8G UU	.5000 (12.700)		.8750 (22.225)	⁰ / ₍₋₁₆₎	1.2500 (31.750)
SWT10 UU	SWT10G UU	SWST10 UU	SWST10G UU	.6250 (15.875)		1.1250 (28.575)		1.5000 (38.100)
SWT12 UU	SWT12G UU	SWST12 UU	SWST12G UU	.7500 (19.050)	⁰ / ₍₋₁₂₎	1.2500 (31.750)	⁰ / ₍₋₁₉₎	1.6250 (41.275)
SWT16 UU	SWT16G UU	SWST16 UU	SWST16G UU	1.0000 (25.400)		1.5625 (39.688)		2.2500 (57.150)
SWT20 UU	SWT20G UU	SWST20 UU	SWST20G UU	1.2500 (31.750)	⁰ / ₍₋₁₂₎	2.0000 (50.800)	⁰ / ₍₋₂₂₎	2.6250 (66.675)

* UU type is standard.

flange						eccentricity inch (μm)	perpendicularity inch (μm)	basic load rating		mass g	shaft diameter inch (mm)
Df	W	t	A	F	X×Y×Z			dynamic C N	static Co N		
1.2500 (31.750)	.7500 (19.050)	.2190 (5.556)	.8750 (22.225)	—	.1560×.2500×.1410 (3.969×6.350×3.572)	.0005 (12)	.0005 (12)	206	265	28	1/4 (6.350)
1.5000 (38.100)	.8750 (22.225)	.2500 (6.350)	1.0625 (26.988)	—	.1875×.2970×.1720 (4.763×7.541×4.366)			225	314	44	3/8 (9.525)
1.7500 (44.450)	1.1250 (28.575)	.2500 (6.350)	1.1250 (33.338)	.6875 (17.463)	.1875×.2970×.1720 (4.763×7.541×4.366)			510	784	77	1/2 (12.700)
2.0000 (50.800)	1.3750 (34.925)	.2500 (6.350)	1.2500 (31.750)	.9375 (23.813)	.1875×.2970×.1720 (4.763×7.541×4.366)			774	1,180	125	5/8 (15.875)
2.1875 (55.563)	1.5000 (38.100)	.3125 (7.938)	1.3750 (34.925)	1.0000 (25.400)	2.187×.3440×.2030 (5.556×8.731×5.159)	.0006 (15)	.0006 (15)	862	1,370	162	3/4 (19.050)
2.5000 (63.500)	1.8750 (47.625)	.3125 (7.938)	1.5625 (39.688)	1.3125 (33.338)	2.187×.3440×.2030 (5.556×8.731×5.159)			980	1,570	293	1 (25.400)
3.1250 (79.375)	2.3750 (60.325)	.3750 (9.525)	1.8750 (47.625)	1.7500 (44.450)	.2812×.4060×.2656 (7.144×10.319×6.747)			.0008 (20)	.0008 (20)	1,570	2,740

1N=0.225lbf 1kg=2.205lbs

SWF-W TYPE (Inch Standard)

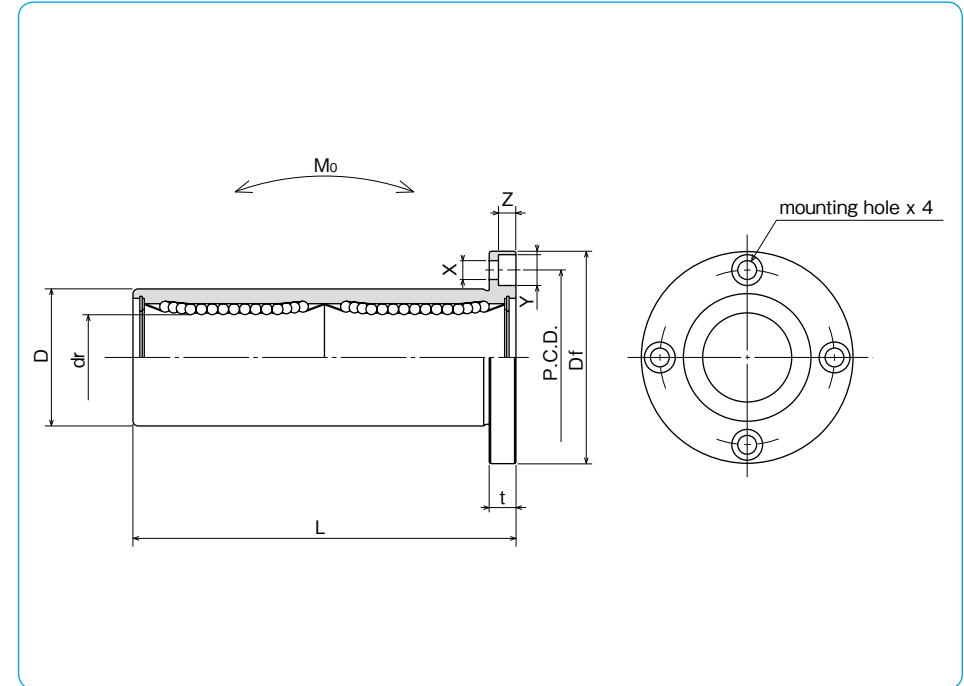
– Round Flange Double-Wide Type –



part number structure

example **SWSF 16 G W UU-SK**

specification SWF : standard SWSF : anti-corrosion	size	retainer material blank : standard/steel anti-corrosion/stainless steel G : resin	outer cylinder surface treatment blank : no surface treatment SK : electroless nickel plating LF : low temperature black chrome treatment with fluoride coating SB : black oxide (not available on anti-corrosion type) SC : industrial chrome plating	seal blank : without seal UU : seals on both sides	double-wide type
--	------	--	--	--	------------------



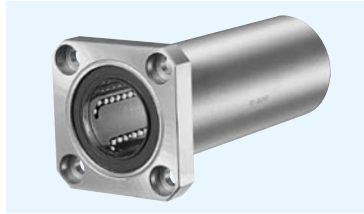
part number				number of ball circuits	major dimensions				
standard		anti-corrosion			dr		D		L
steel retainer	resin retainer	stainless retainer	resin retainer		inch (mm)	tolerance inch/(μm)	inch (mm)	tolerance inch/(μm)	±.012 (±0.3) inch/(mm)
SWF 4W	SWF 4GW	SWSF 4W	SWSF 4GW	4	.2500 (6.350)		.5000 (12.700)	⁰ _{-.00050 (-13)}	1.3750 (34.925)
SWF 6W	SWF 6GW	SWSF 6W	SWSF 6GW	4	.3750 (9.525)	⁰ _{-.00040 (-10)}	.6250 (15.875)	⁰ _{-.00065 (-16)}	1.5938 (40.481)
SWF 8W	SWF 8GW	SWSF 8W	SWSF 8GW	4	.5000 (12.700)		.8750 (22.225)	⁰ _{-.00065 (-16)}	2.3750 (60.325)
SWF10W	SWF10GW	SWSF10W	SWSF10GW	4	.6250 (15.875)		1.1250 (28.575)	⁰ _{-.00075 (-19)}	2.8125 (71.438)
SWF12W	SWF12GW	SWSF12W	SWSF12GW	5	.7500 (19.050)	⁰ _{-.00050 (-12)}	1.2500 (31.750)	⁰ _{-.00075 (-19)}	3.0937 (78.581)
SWF16W	SWF16GW	SWSF16W	SWSF16GW	6	1.0000 (25.400)		1.5625 (39.688)	⁰ _{-.00090 (-22)}	4.2813 (108.744)
SWF20W	SWF20GW	SWSF20W	SWSF20GW	6	1.2500 (31.750)	⁰ _{-.00060 (-15)}	2.0000 (50.800)	⁰ _{-.00090 (-22)}	5.0000 (127.000)
SWF24W	SWF24GW	SWSF24W	SWSF24GW	6	1.5000 (38.100)		2.3750 (60.325)	⁰ _{-.00100 (-25)}	5.6875 (144.463)
SWF32W	SWF32GW	SWSF32W	SWSF32GW	6	2.0000 (50.800)		3.0000 (76.200)	⁰ _{-.00100 (-25)}	7.7500 (196.850)

flange				eccentricity inch (μm)	perpendicularity inch (μm)	basic load rating		allowable static moment Mo N·m	mass g	shaft diameter inch (mm)
Df inch/(mm)	t inch/(mm)	P.C.D. inch/(mm)	X×Y×Z inch/(mm)			dynamic C N	static Co N			
1.2500 (31.750)	.2188 (5.556)	.8750 (22.225)	.1563×.2500×.1406 (3.969×6.350×3.572)	.0006 (15)	.0006 (15)	323	530	2.0	40	1/4 (6.350)
1.5000 (38.100)	.2500 (6.350)	1.0625 (26.988)	.1875×.2969×.1719 (4.763×7.541×4.366)			353	630	2.7	60	3/8 (9.525)
1.7500 (44.450)	.2500 (6.350)	1.3125 (33.338)	.1875×.2969×.1719 (4.763×7.541×4.366)			813	1,570	11.5	126	1/2 (12.700)
2.0000 (50.800)	.2500 (6.350)	1.5625 (39.688)	.1875×.2969×.1719 (4.763×7.541×4.366)			1,230	2,350	20.0	215	5/8 (15.875)
2.1875 (55.563)	.3125 (7.938)	1.7188 (43.656)	.2188×.3438×.2031 (5.556×8.731×5.159)	.0008 (20)	.0008 (20)	1,370	2,740	26.5	280	3/4 (19.050)
2.5000 (63.500)	.3125 (7.938)	2.0313 (51.594)	.2188×.3438×.2031 (5.556×8.731×5.159)			1,570	3,140	41.2	515	1 (25.400)
3.1250 (79.375)	.3750 (9.525)	2.5625 (65.088)	.2813×.4063×.2656 (7.144×10.319×6.747)			2,500	5,490	84.8	1,020	1-1/4 (31.750)
3.7500 (95.250)	.5000 (12.700)	3.0625 (77.788)	.3437×.5000×.3281 (8.731×12.700×8.334)			3,430	8,040	143	1,630	1-1/2 (38.100)
4.3750 (111.125)	.5000 (12.700)	3.6875 (93.662)	.3437×.5000×.3281 (8.731×12.700×8.334)	.0012 (30)	.0012 (30)	6,080	15,900	399	2,800	2 (50.800)

1N≒0.225lbf 1N·m≒0.738lb·ft
1kg≒2.205lbs

SWK-W TYPE (Inch Standard)

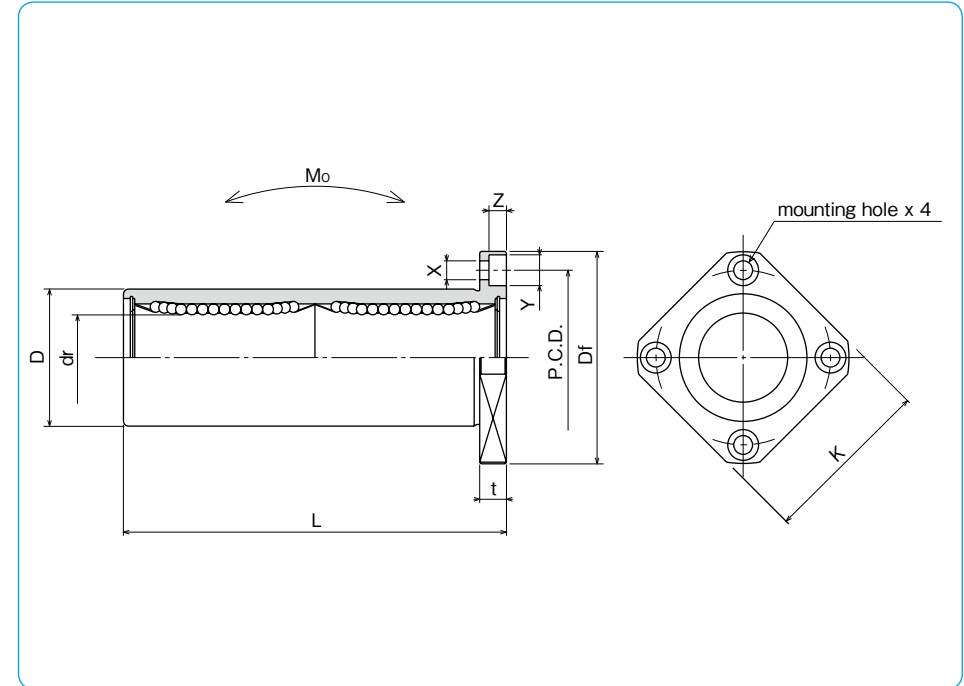
– Square Flange Double-Wide Type –



part number structure

example **SWSK 16 G W UU -SK**

specification SWK : standard SWSK : anti-corrosion	size	retainer material blank : standard/steel anti-corrosion/stainless steel G : resin	outer cylinder surface treatment blank : no surface treatment SK : electroless nickel plating LF : low temperature black chrome treatment with fluoride coating SB : black oxide (not available on anti-corrosion type) SC : industrial chrome plating	seal blank : without seal UU : seals on both sides	double-wide type
--	------	--	--	--	------------------



part number				number of ball circuits	major dimensions				
standard		anti-corrosion			dr		D		L
steel retainer	resin retainer	stainless retainer	resin retainer		inch (mm)	tolerance inch/(μm)	inch (mm)	tolerance inch/(μm)	±.012 (±0.3) inch/(mm)
SWK 4W	SWK 4GW	SWSK 4W	SWSK 4GW	4	.2500 (6.350)		.5000 (12.700)	⁰ _{-.00050 (-13)}	1.3750 (34.925)
SWK 6W	SWK 6GW	SWSK 6W	SWSK 6GW	4	.3750 (9.525)	⁰ _{-.00040 (-10)}	.6250 (15.875)	⁰ _{-.00065 (-16)}	1.5938 (40.481)
SWK 8W	SWK 8GW	SWSK 8W	SWSK 8GW	4	.5000 (12.700)		.8750 (22.225)	⁰ _{-.00075 (-19)}	2.3750 (60.325)
SWK 10W	SWK 10GW	SWSK 10W	SWSK 10GW	4	.6250 (15.875)		1.1250 (28.575)	⁰ _{-.00090 (-22)}	2.8125 (71.438)
SWK 12W	SWK 12GW	SWSK 12W	SWSK 12GW	5	.7500 (19.050)	⁰ _{-.00050 (-12)}	1.2500 (31.750)	⁰ _{-.00075 (-19)}	3.0937 (78.581)
SWK 16W	SWK 16GW	SWSK 16W	SWSK 16GW	6	1.0000 (25.400)		1.5625 (39.688)	⁰ _{-.00090 (-22)}	4.2813 (108.744)
SWK 20W	SWK 20GW	SWSK 20W	SWSK 20GW	6	1.2500 (31.750)	⁰ _{-.00060 (-15)}	2.0000 (50.800)	⁰ _{-.00100 (-25)}	5.0000 (127.000)
SWK 24W	SWK 24GW	SWSK 24W	SWSK 24GW	6	1.5000 (38.100)		2.3750 (60.325)	⁰ _{-.00100 (-25)}	5.6875 (144.463)
SWK 32W	SWK 32GW	SWSK 32W	SWSK 32GW	6	2.0000 (50.800)		3.0000 (76.200)	⁰ _{-.00100 (-25)}	7.7500 (196.850)

flange					eccentricity inch (μm)	perpendicularity inch (μm)	basic load rating		allowable static moment Mo N·m	mass g	shaft diameter inch/(mm)
Df	K	t	P.C.D.	X×Y×Z			dynamic C N	static Co N			
1.2500 (31.750)	1.0000 (25.400)	.2188 (5.556)	.8750 (22.225)	.1563×.2500×.1406 (3.969×6.350×3.572)	.0006 (15)	.0006 (15)	323	530	2.0	33 (6.350)	
1.5000 (38.100)	1.2500 (31.750)	.2500 (6.350)	1.0625 (26.988)	.1875×.2969×.1719 (4.763×7.541×4.366)			353	630	2.7	45 (9.525)	
1.7500 (44.450)	1.3750 (34.925)	.2500 (6.350)	1.3125 (33.338)	.1875×.2969×.1719 (4.763×7.541×4.366)			813	1,570	11.5	106 (12.700)	
2.0000 (50.800)	1.5000 (38.100)	.2500 (6.350)	1.5625 (39.688)	.1875×.2969×.1719 (4.763×7.541×4.366)			1,230	2,350	20.0	200 (15.875)	
2.1875 (55.563)	1.6875 (42.863)	.3125 (7.938)	1.7188 (43.656)	.2188×.3438×.2031 (5.556×8.731×5.159)	.0008 (20)	.0008 (20)	1,370	2,740	26.5	240 (19.050)	
2.5000 (63.500)	2.0000 (50.800)	.3125 (7.938)	2.0313 (51.594)	.2188×.3438×.2031 (5.556×8.731×5.159)			1,570	3,140	41.2	470 (25.400)	
3.1250 (79.375)	2.5000 (63.500)	.3750 (9.525)	2.5625 (65.088)	.2813×.4063×.2656 (7.144×10.319×6.747)			2,500	5,490	84.8	935 (31.750)	
3.7500 (95.250)	3.0000 (76.200)	.5000 (12.700)	3.0625 (77.788)	.3437×.5000×.3281 (8.731×12.700×8.334)			3,430	8,040	143	1,460 (38.100)	
4.3750 (111.125)	3.5000 (88.900)	.5000 (12.700)	3.6875 (93.662)	.3437×.5000×.3281 (8.731×12.700×8.334)	.0012 (30)	.0012 (30)	6,080	15,900	399	2,620 (50.800)	

1N≒0.225lbf 1N·m≒0.738lb·ft
1kg≒2.205lbs

SWFC TYPE (Inch Standard)

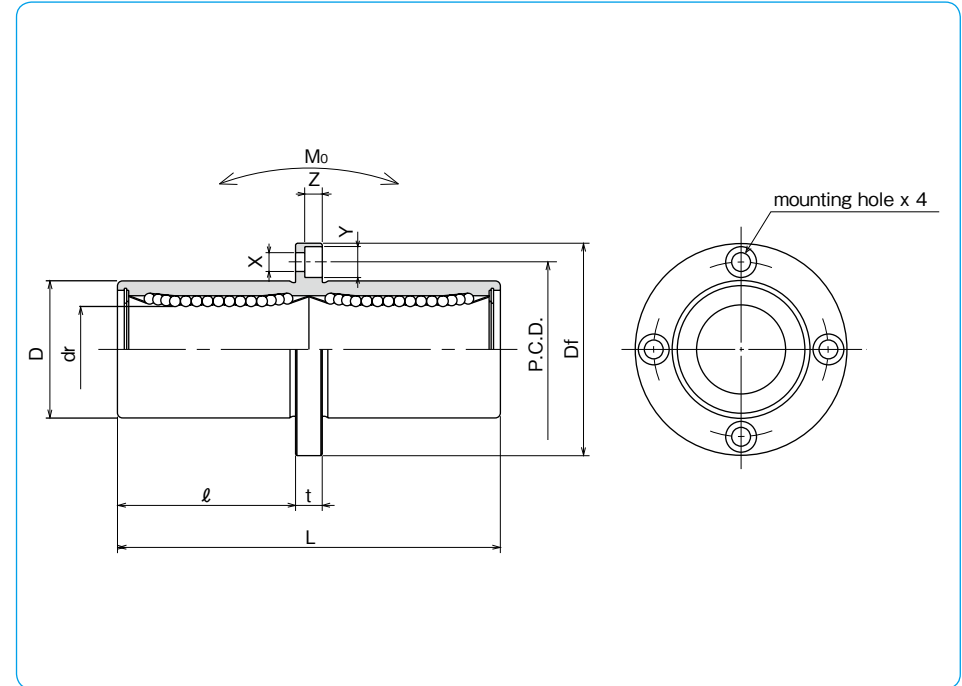
– Center Mount Round Flange Type –



part number structure

example **SWSFC 16 G UU -SK**

specification SWFC: standard SWSFC: anti-corrosion	size	retainer material blank: standard/steel G: resin	outer cylinder surface treatment blank: no surface treatment SK: electroless nickel plating LF: low temperature black chrome treatment with fluoride coating SB: black oxide (not available on anti-corrosion type) SC: industrial chrome plating	seal blank: without seal UU: seals on both sides
--	------	--	--	--



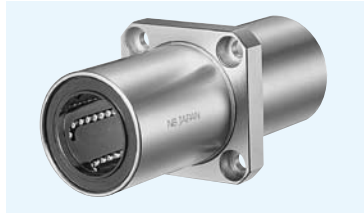
part number				number of ball circuits	major dimensions				
standard steel retainer	anti-corrosion resin retainer	stainless retainer	resin retainer		dr	D		L	
inch	inch	inch	inch	inch	inch	inch	inch	inch	
SWFC 4	SWFC 4G	SWSFC 4	SWSFC 4G	4	.2500 (6.350)	.5000 (12.700)	1.3750 (34.925)	1.3750 (34.925)	
SWFC 6	SWFC 6G	SWSFC 6	SWSFC 6G	4	.3750 (9.525)	.6250 (15.875)	1.5938 (40.481)	1.5938 (40.481)	
SWFC 8	SWFC 8G	SWSFC 8	SWSFC 8G	4	.5000 (12.700)	.8750 (22.225)	2.3750 (60.325)	2.3750 (60.325)	
SWFC10	SWFC10G	SWSFC10	SWSFC10G	4	.6250 (15.875)	1.1250 (28.575)	2.8125 (71.438)	2.8125 (71.438)	
SWFC12	SWFC12G	SWSFC12	SWSFC12G	5	.7500 (19.050)	1.2500 (31.750)	3.0937 (78.581)	3.0937 (78.581)	
SWFC16	SWFC16G	SWSFC16	SWSFC16G	6	1.0000 (25.400)	1.5625 (39.688)	4.2813 (108.744)	4.2813 (108.744)	
SWFC20	SWFC20G	SWSFC20	SWSFC20G	6	1.2500 (31.750)	2.0000 (50.800)	5.0000 (127.000)	5.0000 (127.000)	
SWFC24	SWFC24G	SWSFC24	SWSFC24G	6	1.5000 (38.100)	2.3750 (60.325)	5.6875 (144.463)	5.6875 (144.463)	
SWFC32	SWFC32G	SWSFC32	SWSFC32G	6	2.0000 (50.800)	3.0000 (76.200)	7.7500 (196.850)	7.7500 (196.850)	

flange					eccentricity	perpendicularity	basic load rating			allowable static moment	mass	shaft diameter
l	Df	t	P.C.D.	X × Y × Z			dynamic C	static Co	Mo			
inch/(mm)	inch/(mm)	inch/(mm)	inch/(mm)	inch/(mm)	inch (μm)	inch (μm)	N	N	N · m	g	inch/(mm)	
.5781 (14.684)	1.2500 (31.750)	.2188 (5.556)	.8750 (22.225)	.1563 × .2500 × .1406 (3.969 × 6.350 × 3.572)	.0006 (15)	.0006 (15)	323	530	2.0	40	1/4 (6.350)	
.6719 (17.066)	1.5000 (38.100)	.2500 (6.350)	1.0625 (26.988)	.1875 × .2969 × .1719 (4.763 × 7.541 × 4.366)	.0006 (15)	.0006 (15)	353	630	2.7	60	3/8 (9.525)	
1.0625 (26.988)	1.7500 (44.450)	.2500 (6.350)	1.3125 (33.338)	.1875 × .2969 × .1719 (4.763 × 7.541 × 4.366)	.0008 (20)	.0008 (20)	813	1,570	11.5	126	1/2 (12.700)	
1.2813 (32.544)	2.0000 (50.800)	.2500 (6.350)	1.5625 (39.688)	.1875 × .2969 × .1719 (4.763 × 7.541 × 4.366)	.0010 (25)	.0010 (25)	1,230	2,350	20.0	215	5/8 (15.875)	
1.3906 (35.322)	2.1875 (55.563)	.3125 (7.938)	1.7188 (43.656)	2188 × .3438 × .2031 (5.556 × 8.731 × 5.159)	.0010 (25)	.0010 (25)	1,370	2,740	26.5	280	3/4 (19.050)	
1.9844 (50.403)	2.5000 (63.500)	.3125 (7.938)	2.0313 (51.594)	2188 × .3438 × .2031 (5.556 × 8.731 × 5.159)	.0012 (30)	.0012 (30)	1,570	3,140	41.2	515	1 (25.400)	
2.3125 (58.738)	3.1250 (79.375)	.3750 (9.525)	2.5625 (65.088)	2813 × .4063 × .2656 (7.144 × 10.319 × 6.747)	.0012 (30)	.0012 (30)	2,500	5,490	84.8	1,020	1-1/4 (31.750)	
2.5938 (65.882)	3.7500 (95.250)	.5000 (12.700)	3.0625 (77.788)	3437 × .5000 × .3281 (8.731 × 12.700 × 8.334)	.0012 (30)	.0012 (30)	3,430	8,040	143	1,630	1-1/2 (38.100)	
3.6250 (92.075)	4.3750 (111.125)	.5000 (12.700)	3.6875 (93.662)	3437 × .5000 × .3281 (8.731 × 12.700 × 8.334)	.0012 (30)	.0012 (30)	6,080	15,900	399	2,800	2 (50.800)	

1N ≅ 0.225lbf 1N · m ≅ 0.738lb · ft
1kg ≅ 2.205lbs

SWKC TYPE (Inch Standard)

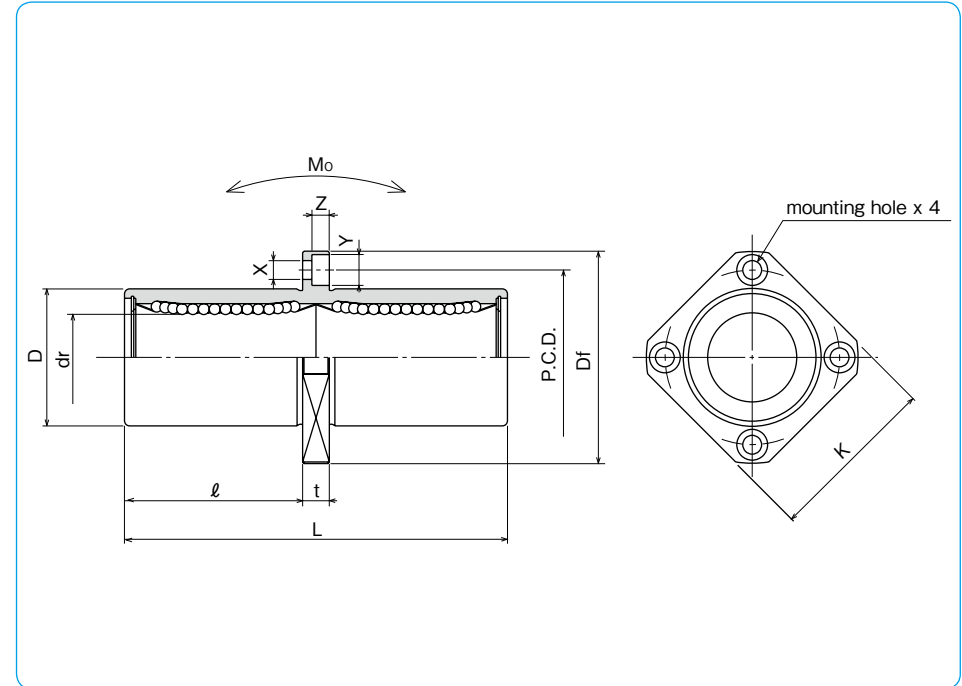
– Center Mount Square Flange Type –



part number structure

example **SWSKC 16 G UU -SK**

specification SWKC : standard SWSKC : anti-corrosion	size	retainer material blank : standard/steel anti-corrosion/stainless steel G : resin	outer cylinder surface treatment blank : no surface treatment SK : electroless nickel plating LF : low temperature black chrome treatment with fluoride coating SB : black oxide (not available on anti-corrosion type) SC : industrial chrome plating	seal blank : without seal UU : seals on both sides
--	------	--	--	--



part number				number of ball circuits	major dimensions				
standard		anti-corrosion			dr		D		
steel retainer	resin retainer	stainless retainer	resin retainer		inch (mm)	tolerance inch/(μm)	inch (mm)	tolerance inch/(μm)	L ±.012 (±0.3) inch/(mm)
SWKC 4	SWKC 4G	SWSKC 4	SWSKC 4G	4	.2500 (6.350)		.5000 (12.700)	⁰ _{-.00050 (-13)}	1.3750 (34.925)
SWKC 6	SWKC 6G	SWSKC 6	SWSKC 6G	4	.3750 (9.525)	⁰ _{-.00040 (-10)}	.6250 (15.875)	⁰ _{-.00065 (-16)}	1.5938 (40.481)
SWKC 8	SWKC 8G	SWSKC 8	SWSKC 8G	4	.5000 (12.700)		.8750 (22.225)	⁰ _{-.00090 (-22)}	2.3750 (60.325)
SWKC10	SWKC10G	SWSKC10	SWSKC10G	4	.6250 (15.875)		1.1250 (28.575)	⁰ _{-.00100 (-25)}	2.8125 (71.438)
SWKC12	SWKC12G	SWSKC12	SWSKC12G	5	.7500 (19.050)	⁰ _{-.00050 (-12)}	1.2500 (31.750)	⁰ _{-.00075 (-19)}	3.0937 (78.581)
SWKC16	SWKC16G	SWSKC16	SWSKC16G	6	1.0000 (25.400)		1.5625 (39.688)	⁰ _{-.00090 (-22)}	4.2813 (108.744)
SWKC20	SWKC20G	SWSKC20	SWSKC20G	6	1.2500 (31.750)		2.0000 (50.800)	⁰ _{-.00100 (-25)}	5.0000 (127.000)
SWKC24	SWKC24G	SWSKC24	SWSKC24G	6	1.5000 (38.100)	⁰ _{-.00060 (-15)}	2.3750 (60.325)	⁰ _{-.00100 (-25)}	5.6875 (144.463)
SWKC32	SWKC32G	SWSKC32	SWSKC32G	6	2.0000 (50.800)		3.0000 (76.200)	⁰ _{-.00100 (-25)}	7.7500 (196.850)

flange						eccentricity inch (μm)	perpendicularity inch (μm)	basic load rating			allowable static moment Mo N·m	mass g	shaft diameter inch (mm)
ℓ	Df	K	t	P.C.D.	X×Y×Z			dynamic C N	static Co N	dynamic Co N			
.5781 (14.684)	1.2500 (31.750)	1.0000 (25.400)	.2188 (5.556)	.8750 (22.225)	.1563 × 2500 × 1.406 (3.969 × 6.350 × 3.572)	.0006 (15)	.0006 (15)	323	530	2.0	33	1/4 (6.350)	
.6719 (17.066)	1.5000 (38.100)	1.2500 (31.750)	.2500 (6.350)	1.0625 (26.988)	.1875 × 2969 × 1.719 (4.763 × 7.541 × 4.366)			353	630	2.7	45	3/8 (9.525)	
1.0625 (26.988)	1.7500 (44.450)	1.3750 (34.925)	.2500 (6.350)	1.3125 (33.338)	.1875 × 2969 × 1.719 (4.763 × 7.541 × 4.366)			813	1,570	11.5	106	1/2 (12.700)	
1.2813 (32.544)	2.0000 (50.800)	1.5000 (38.100)	.2500 (6.350)	1.5625 (39.688)	.1875 × 2969 × 1.719 (4.763 × 7.541 × 4.366)			1,230	2,350	20.0	200	5/8 (15.875)	
1.3906 (35.322)	2.1875 (55.563)	1.6875 (42.863)	.3125 (7.938)	1.7188 (43.656)	.2188 × 3438 × 2.031 (5.556 × 8.731 × 5.159)	.0008 (20)	.0008 (20)	1,370	2,740	26.5	240	3/4 (19.050)	
1.9844 (50.403)	2.5000 (63.500)	2.0000 (50.800)	.3125 (7.938)	2.0313 (51.594)	.2188 × 3438 × 2.031 (5.556 × 8.731 × 5.159)			1,570	3,140	41.2	470	1 (25.400)	
2.3125 (58.738)	3.1250 (79.375)	2.5000 (63.500)	.3750 (9.525)	2.5625 (65.088)	.2813 × 4063 × 2.656 (7.144 × 10.319 × 6.747)	.0010 (25)	.0010 (25)	2,500	5,490	84.8	935	1-1/4 (31.750)	
2.5938 (65.882)	3.7500 (95.250)	3.0000 (76.200)	.5000 (12.700)	3.0625 (77.788)	.3437 × 5000 × 3.281 (8.731 × 12.700 × 8.334)			3,430	8,040	143	1,460	1-1/2 (38.100)	
3.6250 (92.075)	4.3750 (111.125)	3.5000 (88.900)	.5000 (12.700)	3.6875 (93.662)	.3437 × 5000 × 3.281 (8.731 × 12.700 × 8.334)	.0012 (30)	.0012 (30)	6,080	15,900	399	2,620	2 (50.800)	

1N≒0.225lbf 1N·m≒0.738lbf·ft
1kg≒2.205lbs

GM TYPE

– Single Type –

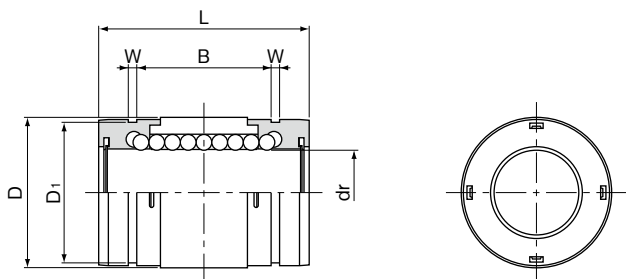


part number structure

example **GM 25 UU**

GM type
inner contact diameter (dr)

seal
blank: without seal
UU: seals on both sides



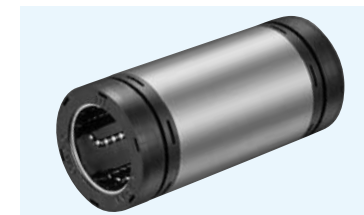
part number	number of ball circuits	dr mm	major dimensions						basic load rating dynamic C N	static Co N	mass g	
			tolerance μm	D mm	tolerance μm	L mm	B mm	W mm				D ₁ mm
GM 6	4	6	0	12	0	19	11.3	1.1	11.5	206	265	5
GM 8	4	8	0	15	-11	24	15.3	1.1	14.3	274	392	10
GM10	4	10	0	19	0	29	19.4	1.3	18	372	549	18
GM12	4	12	-9	21	0	30	20.4	1.3	20	510	784	23
GM13	4	13	-13	23	-13	32	20.4	1.3	22	510	784	27
GM16	4	16	-13	28	-13	37	23.3	1.6	27	774	1,180	45
GM20	6	20	0	32	0	42	27.3	1.6	30.5	882	1,370	70
GM25	6	25	-10	40	-16	59	37.3	1.85	38	980	1,570	150
GM30	6	30	-10	45	-16	64	40.8	1.85	43	1,570	2,740	180

GM-AJ type (clearance adjustable type) is also manufactured. Please contact NB for details.

1N \approx 0.102kgf

GM-W TYPE

– Double-Wide Type –

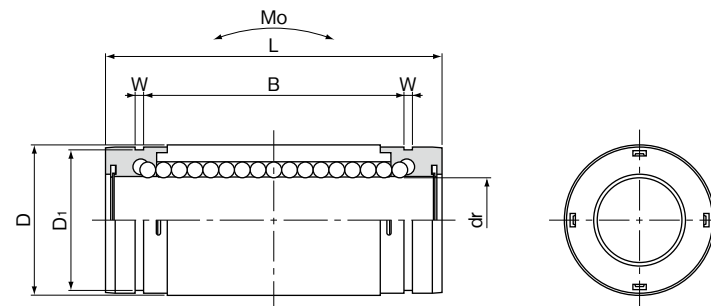


part number structure

example **GM 25 W UU**

GM type
inner contact diameter (dr)

seals on both sides
double-wide type



part number	number of ball circuits	dr mm	tolerance μm	major dimensions						basic load rating dynamic C N	static Co N	allowable static moment Mo N·m	mass g
				D mm	tolerance μm	L mm	B mm	W mm	D ₁ mm				
GM 6W UU	4	6	0	12	0	28	20.3	1.1	11.5	323	530	1.5	9
GM 8W UU	4	8	0	15	-13	36	27.3	1.1	14.3	431	784	3.3	18
GM10W UU	4	10	0	19	0	41	31.4	1.3	18	588	1,100	5.0	31
GM12W UU	4	12	-10	21	0	46	36.4	1.3	20	813	1,570	7.6	42
GM13W UU	4	13	-16	23	-16	48	36.4	1.3	22	813	1,570	8.1	50
GM16W UU	4	16	-16	28	-16	53	39.3	1.6	27	1,230	2,350	13.8	76
GM20W UU	6	20	0	32	0	65	50.3	1.6	30.5	1,400	2,740	20.0	130
GM25W UU	6	25	-12	40	-19	91	69.3	1.85	38	1,560	3,140	34.8	280
GM30W UU	6	30	-12	45	-19	99	75.8	1.85	43	2,490	5,490	57.5	334

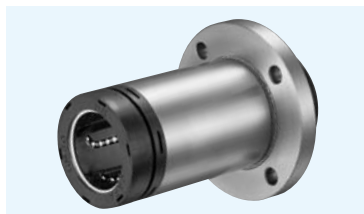
*UU type is standard.

1N \approx 0.102kgf 1N·m \approx 0.102kgf·m

SLIDE BUSH

GMF-W TYPE

– Round Flange Double-Wide Type –



part number structure

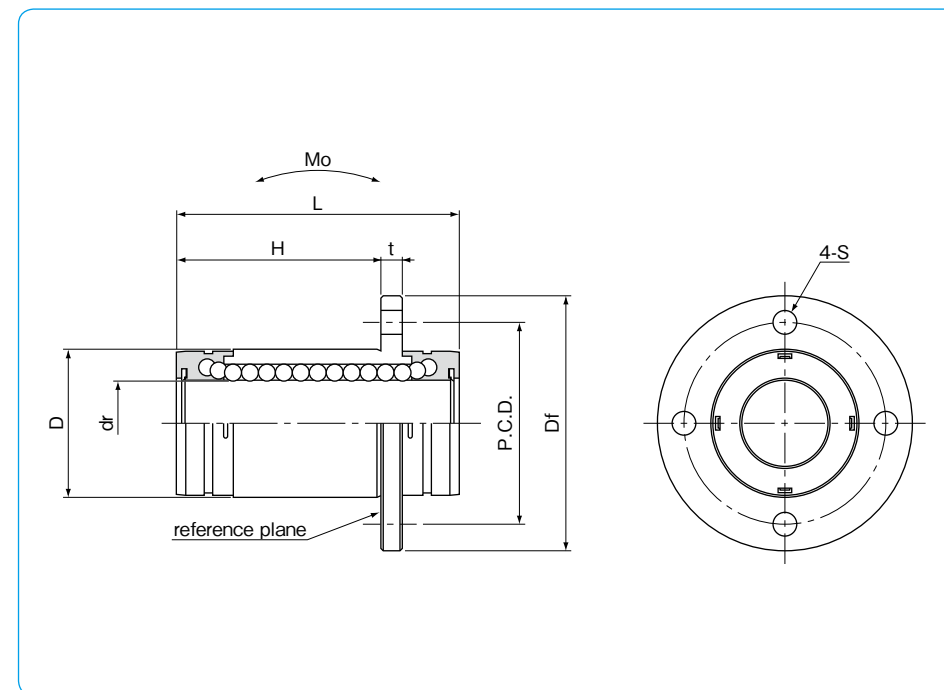
example **GMF 25 W UU**

GMF type

inner contact diameter (dr)

seals on both sides

double-wide type



part number	number of ball circuits	dr		D		major dimensions		
		mm	tolerance μm	mm	tolerance μm	L mm	H mm	
GMF 6W UU	4	6	0	12	0	28	17.8	
GMF 8W UU	4	8		15	-13	36	25.1	
GMF10W UU	4	10		19	0	41	28.2	
GMF12W UU	4	12		21		0	46	34.2
GMF13W UU	4	13		23		-16	48	34.7
GMF16W UU	4	16	28	-12	53	38.3		
GMF20W UU	6	20	32		0	65	49.2	
GMF25W UU	6	25	40		-19	91	70.5	
GMF30W UU	6	30	45		0	99	74.3	

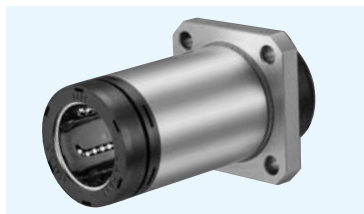
*UU type is standard.

Df mm	flange			perpendicularity μm	basic load rating		allowable static moment Mo N·m	mass g	shaft diameter mm
	t mm	P.C.D. mm	S mm		dynamic C N	static Co N			
28	4	20	3.5	15	323	530	1.5	25	6
32	4	24	3.5		431	784	3.3	38	8
40	4	29	4.5		588	1,100	5.0	62	10
42	4	32	4.5		813	1,570	7.6	75	12
43	4	33	4.5		813	1,570	8.1	83	13
48	4	38	4.5	20	1,230	2,350	13.8	115	16
54	5	43	5.5		1,400	2,740	20.0	188	20
62	5	51	5.5		1,560	3,140	34.8	350	25
74	8	60	6.6		2,490	5,490	57.5	502	30

1N \div 0.102kgf 1N · m \div 0.102kgf · m

GMK-W TYPE

– Square Flange Double-Wide Type –



part number structure

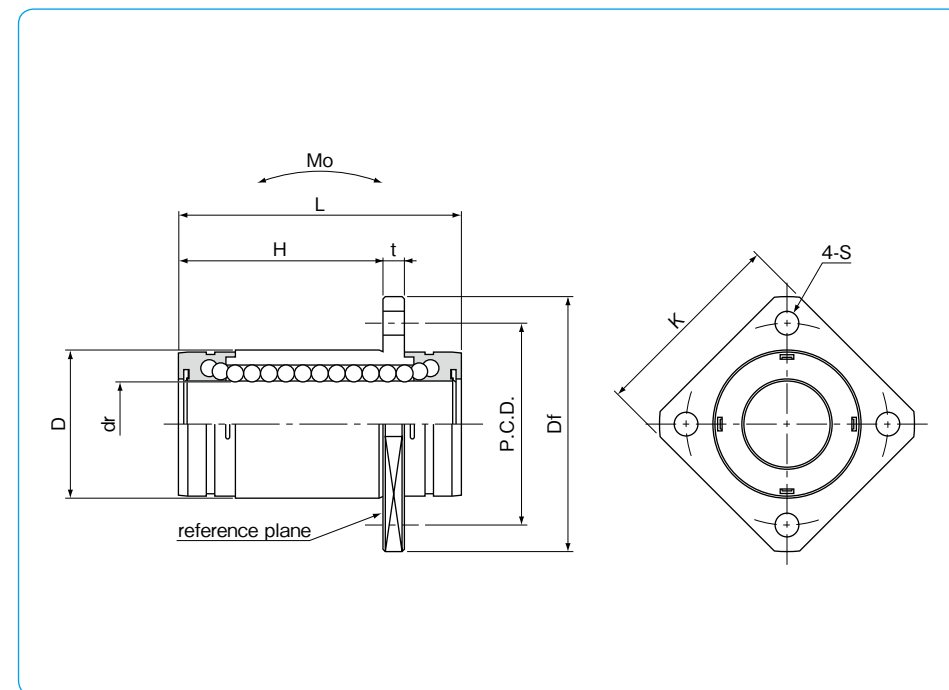
example **GMK25WUU**

GMK type

inner contact diameter (dr)

seals on both sides

double-wide type



part number	number of ball circuits	dr		D		major dimensions	
		mm	tolerance μm	mm	tolerance μm	L mm	H mm
GMK 6W UU	4	6	0	12	0	28	17.8
GMK 8W UU	4	8		15	-13	36	25.1
GMK10W UU	4	10		19	-16	41	28.2
GMK12W UU	4	12		21		0	46
GMK13W UU	4	13	23	48		34.7	
GMK16W UU	4	16	28	53		38.3	
GMK20W UU	6	20	-12	32	0	65	49.2
GMK25W UU	6	25		40	-19	91	70.5
GMK30W UU	6	30		45	99	74.3	

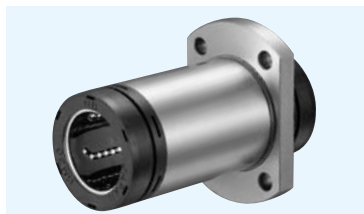
*UU type is standard.

Df mm	t mm	flange		S mm	perpendicularity μm	basic load rating		allowable static moment $\text{Mo N}\cdot\text{m}$	mass g	shaft diameter mm
		P.C.D. mm	K mm			dynamic C N	static Co N			
28	4	20	22	3.5	15	323	530	1.5	20	6
32	4	24	25	3.5		431	784	3.3	32	8
40	4	29	30	4.5		588	1,100	5.0	50	10
42	4	32	32	4.5		813	1,570	7.6	63	12
43	4	33	34	4.5		813	1,570	8.1	72	13
48	4	38	37	4.5		1,230	2,350	13.8	99	16
54	5	43	42	5.5		1,400	2,740	20.0	165	20
62	5	51	50	5.5	20	1,560	3,140	34.8	325	25
74	8	60	58	6.6		2,490	5,490	57.5	437	30

1N \div 0.102kgf 1N \cdot m \div 0.102kgf \cdot m

GMT-W TYPE

– Two Side Cut Double-Wide Flange Type –



part number structure

example **GMT 25 W UU**

GMT type

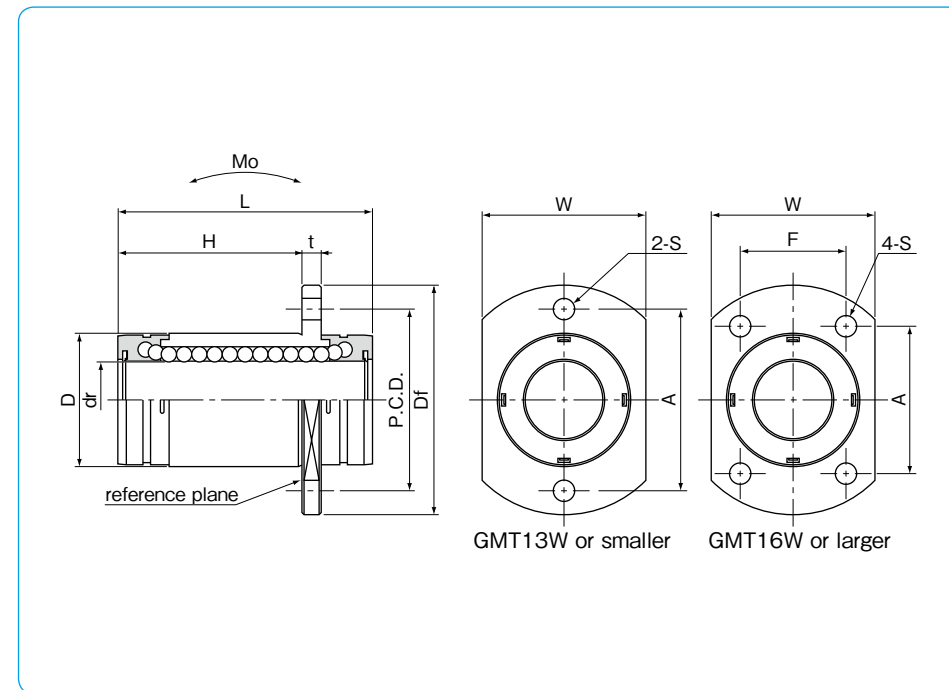
inner contact diameter (dr)

seals on both sides

double-wide type

part number	number of ball circuits	dr		D		major dimensions	
		mm	tolerance μm	mm	tolerance μm	L mm	H mm
GMT 6W UU	4	6	0	12	0	28	17.8
GMT 8W UU	4	8		15	-13	36	25.1
GMT 10W UU	4	10		19	-16	41	28.2
GMT 12W UU	4	12		21		46	34.2
GMT 13W UU	4	13		23		48	34.7
GMT 16W UU	4	16	28	0	53	38.3	
GMT 20W UU	6	20	32		65	49.2	
GMT 25W UU	6	25	40		91	70.5	
GMT 30W UU	6	30	45	-19	99	74.3	

*UU type is standard.

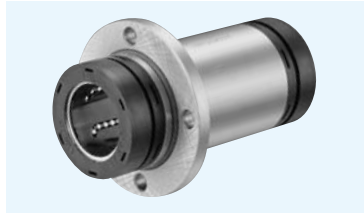


Df mm	t mm	flange				perpendicularity μm	basic load rating		allowable static moment Mo N·m	mass g	shaft diameter mm
		W mm	A mm	F mm	S mm		dynamic C N	static Co N			
28	4	18	20	—	3.5	15	323	530	1.5	21	6
32	4	21	24	—	3.5		431	784	3.3	33	8
40	4	25	29	—	4.5		588	1,100	5.0	52	10
42	4	27	32	—	4.5		813	1,570	7.6	65	12
43	4	29	33	—	4.5		813	1,570	8.1	74	13
48	4	34	31	22	4.5	20	1,230	2,350	13.8	104	16
54	5	38	36	24	5.5		1,400	2,740	20.0	171	20
62	5	46	40	32	5.5		1,560	3,140	34.8	331	25
74	8	51	49	35	6.6		2,490	5,490	57.5	447	30

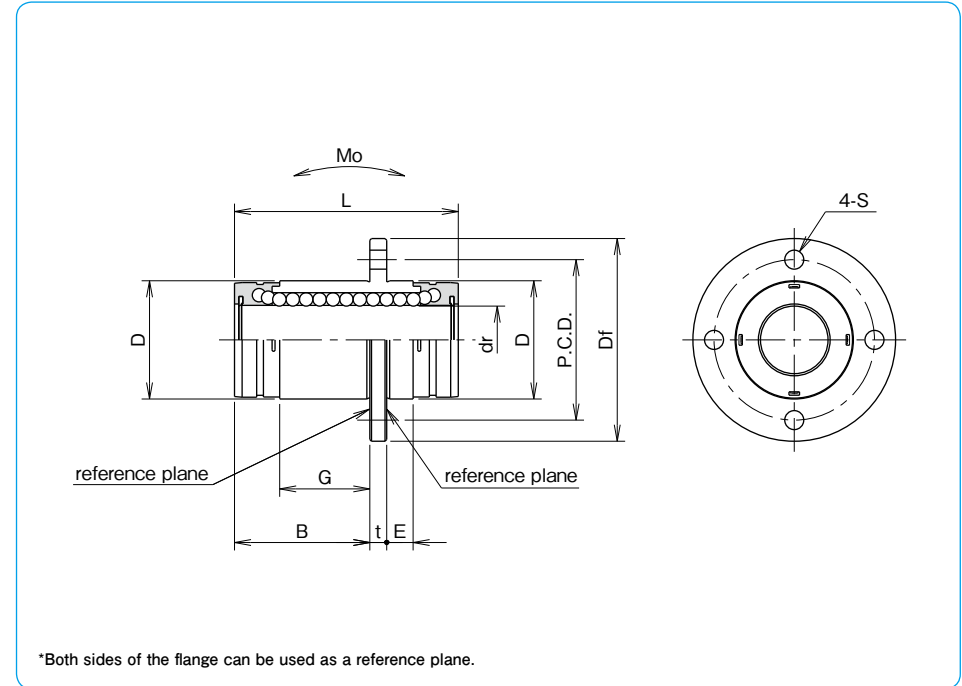
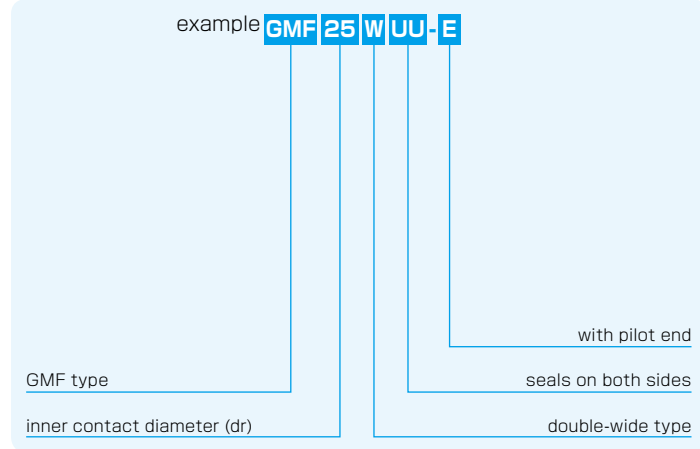
1N \div 0.102kgf 1N · m \div 0.102kgf · m

GMF-W-E TYPE

— Round Flange Double-Wide Type with pilot end —



part number structure



part number	number of ball circuits	major dimensions							
		mm	dr tolerance μm	mm	D tolerance μm	mm	B	G	E
GMF 6W UU-E	4	6	0	12	0	28	13.8	7.6	4
GMF 8W UU-E	4	8		15	-13	36	21.1	14.2	4
GMF10W UU-E	4	10		19	-16	41	24.2	15.4	4
GMF12W UU-E	4	12		21		0	46	30.2	22.4
GMF13W UU-E	4	13	23	48		30.65	21.3	4	
GMF16W UU-E	4	16	28	53		33.3	22.6	5	
GMF20W UU-E	6	20	-12	32	0	65	44.2	33.4	5
GMF25W UU-E	6	25		40	-19	91	65.5	50.0	5
GMF30W UU-E	6	30		45	99	69.3	52.6	5	

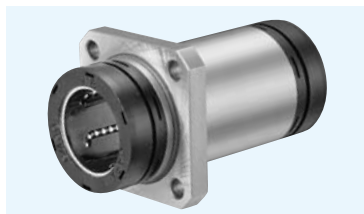
*UU type is standard.

Df mm	flange			perpendicularity μm	basic load rating		allowable static moment Mo N·m	mass g	shaft diameter mm
	t mm	P.C.D. mm	S mm		dynamic C N	static Co N			
28	4	20	3.5	15	323	530	1.5	25	6
32	4	24	3.5		431	784	3.3	38	8
40	4	29	4.5		588	1,100	5.0	62	10
42	4	32	4.5		813	1,570	7.6	75	12
43	4	33	4.5		813	1,570	8.1	83	13
48	4	38	4.5		1,230	2,350	13.8	115	16
54	5	43	5.5		20	1,400	2,740	20.0	188
62	5	51	5.5	1,560		3,140	34.8	350	25
74	8	60	6.6	2,490		5,490	57.5	502	30

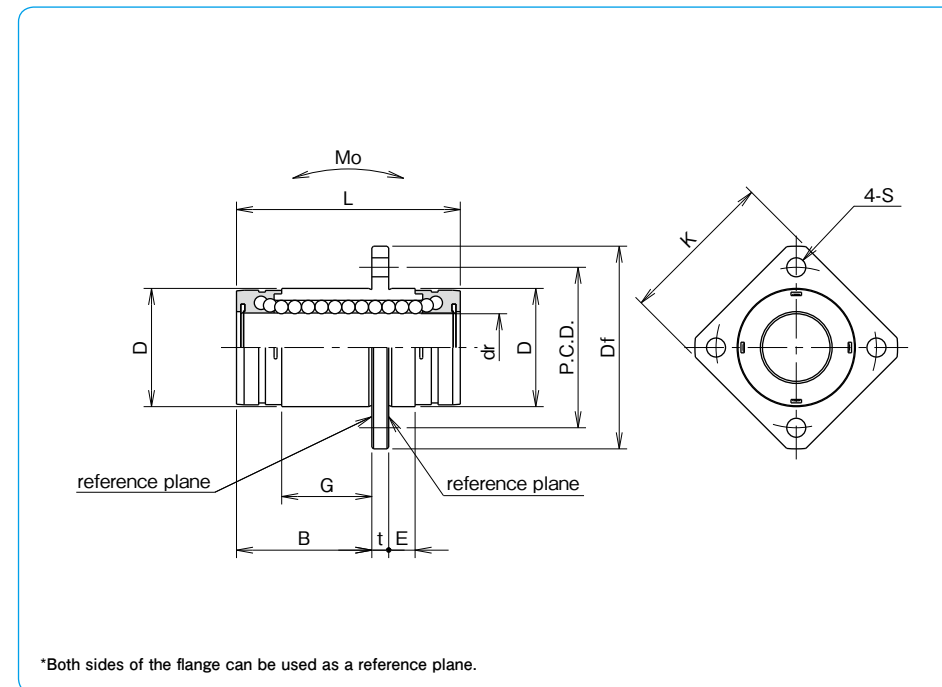
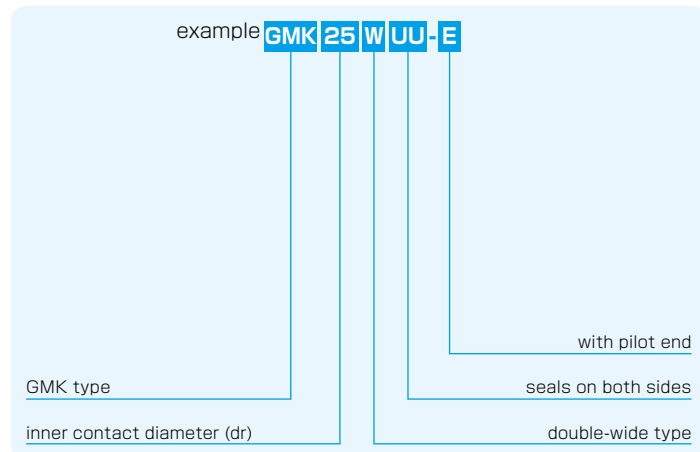
1N \div 0.102kgf 1N · m \div 0.102kgf · m

GMK-W-E TYPE

— Square Flange Double-Wide Type with pilot end—



part number structure



part number	number of ball circuits	major dimensions							
		mm	dr tolerance μm	mm	D tolerance μm	mm	B mm	G mm	E mm
GMK 6W UU-E	4	6	0	12	0	28	13.8	7.6	4
GMK 8W UU-E	4	8		15	-13	36	21.1	14.2	4
GMK 10W UU-E	4	10		19	-16	41	24.2	15.4	4
GMK 12W UU-E	4	12		21		0	46	30.2	22.4
GMK 13W UU-E	4	13	23	48		30.65	21.3	4	
GMK 16W UU-E	4	16	28	53		33.3	22.6	5	
GMK 20W UU-E	6	20	-12	32	0	65	44.2	33.4	5
GMK 25W UU-E	6	25		40	-19	91	65.5	50.0	5
GMK 30W UU-E	6	30		45	99	69.3	52.6	5	

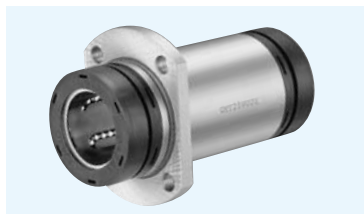
*UU type is standard.

Df mm	t mm	flange			perpendicularity μm	basic load rating		allowable static moment Mo N·m	mass g	shaft diameter mm
		P.C.D. mm	K mm	S mm		dynamic C N	static Co N			
28	4	20	22	3.5	15	323	530	1.5	20	6
32	4	24	25	3.5		431	784	3.3	32	8
40	4	29	30	4.5		588	1,100	5.0	50	10
42	4	32	32	4.5		813	1,570	7.6	63	12
43	4	33	34	4.5		813	1,570	8.1	72	13
48	4	38	37	4.5		1,230	2,350	13.8	99	16
54	5	43	42	5.5	20	1,400	2,740	20.0	165	20
62	5	51	50	5.5		1,560	3,140	34.8	325	25
74	8	60	58	6.6		2,490	5,490	57.5	437	30

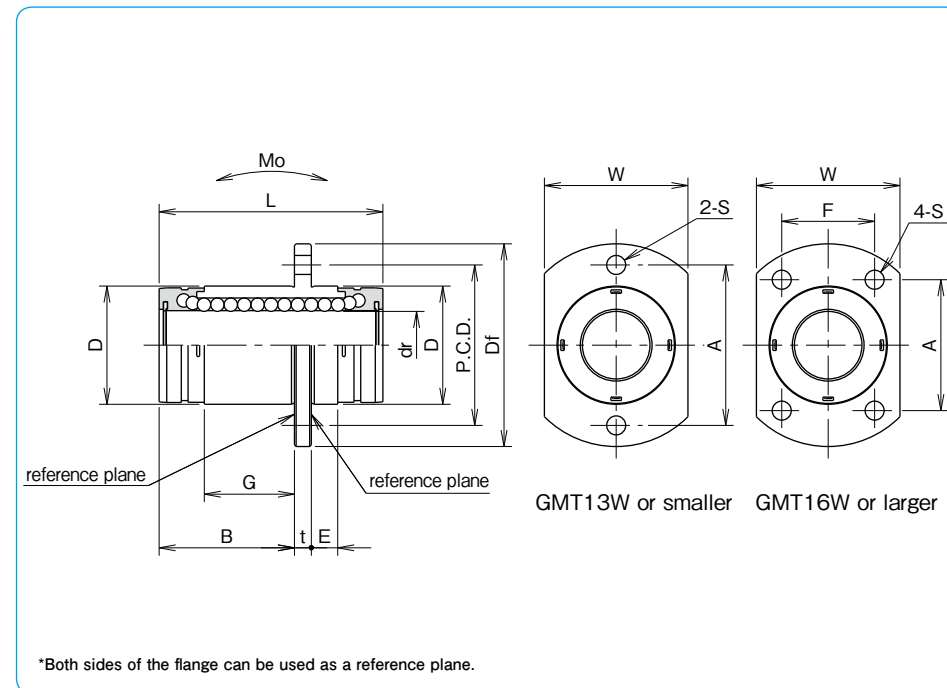
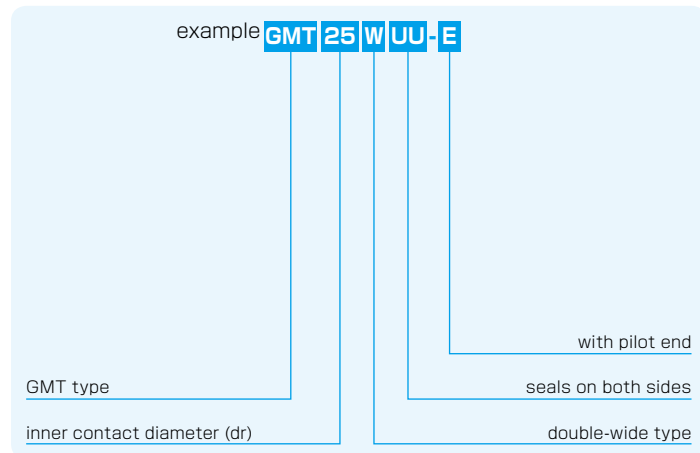
1N \approx 0.102kgf 1N·m \approx 0.102kgf·m

GMT-W-E TYPE

— Two Side Cut Double-Wide Flange Type with pilot end—



part number structure



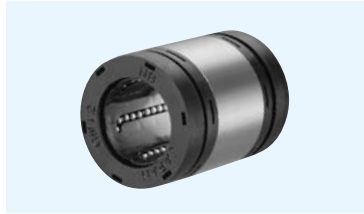
part number	number of ball circuits	major dimensions							
		mm	dr tolerance μm	mm	D tolerance μm	mm	B	G	E
GMT 6W UU-E	4	6	-10	12	0	28	13.8	7.6	4
GMT 8W UU-E	4	8		15	-13	36	21.1	14.2	4
GMT10W UU-E	4	10		19	0	41	24.2	15.4	4
GMT12W UU-E	4	12		21	0	46	30.2	22.4	4
GMT13W UU-E	4	13		23	-16	48	30.65	21.3	4
GMT16W UU-E	4	16	28	-12	53	33.3	22.6	5	
GMT20W UU-E	6	20	32		0	65	44.2	33.4	5
GMT25W UU-E	6	25	40		-19	91	65.5	50.0	5
GMT30W UU-E	6	30	45		0	99	69.3	52.6	5

*UU type is standard.

Df	t	flange				perpendicularity μm	basic load rating		allowable static moment Mo N · m	mass g	shaft diameter mm
		W	A	F	S		dynamic C N	static Co N			
28	4	18	20	—	3.5	15	323	530	1.5	21	6
32	4	21	24	—	3.5		431	784	3.3	33	8
40	4	25	29	—	4.5		588	1,100	5.0	52	10
42	4	27	32	—	4.5		813	1,570	7.6	65	12
43	4	29	33	—	4.5		813	1,570	8.1	74	13
48	4	34	31	22	4.5	20	1,230	2,350	13.8	104	16
54	5	38	36	24	5.5		1,400	2,740	20.0	171	20
62	5	46	40	32	5.5		1,560	3,140	34.8	331	25
74	8	51	49	35	6.6		2,490	5,490	57.5	447	30

1N \div 0.102kgf 1N · m \div 0.102kgf · m

GW TYPE (Inch Standard)
 – Single Type –



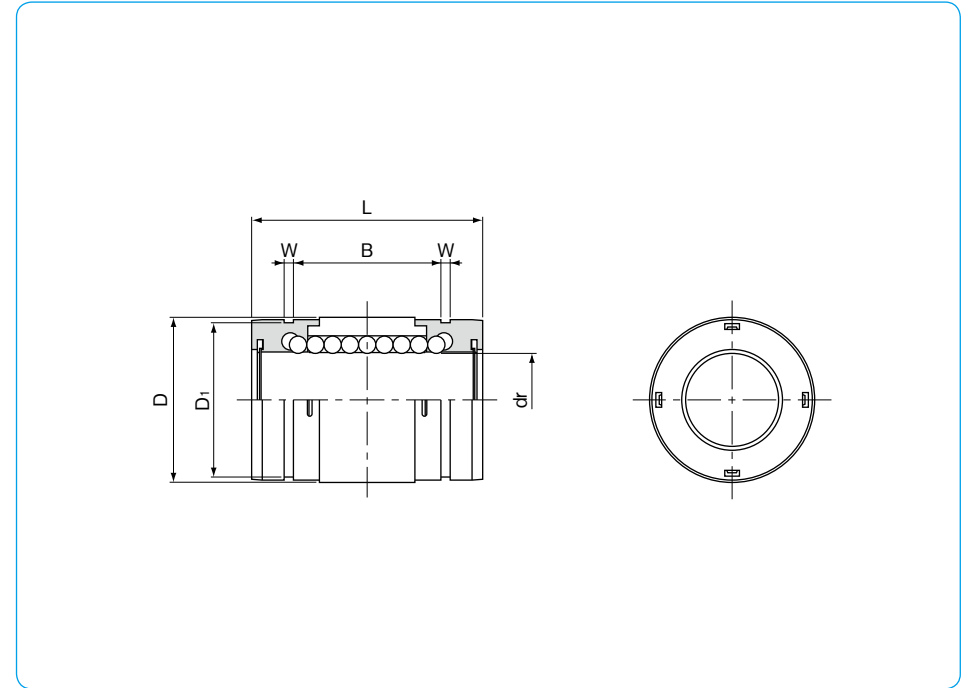
part number structure

example **GW 16 UU**

GW type

size

seal
blank: without seal
UU: seals on both sides



part number	number of ball circuits	major dimensions				
		dr		D		L
		inch/(mm)	tolerance inch/(μ m)	inch/(mm)	tolerance inch/(μ m)	inch/(mm)
GW 4	4	.2500 (6.350)	0 -0.00040 (-10)	.5000 (12.700)	0 -0.00045 (-11)	.7500 (19.050)
GW 6	4	.3750 (9.525)		.6250 (15.875)	0	.8750 (22.225)
GW 8	4	.5000 (12.700)		.8750 (22.225)	-0.00050 (-13)	1.2500 (31.750)
GW10	4	.6250 (15.875)		1.1250 (28.575)	0	1.5000 (38.100)
GW12	6	.7500 (19.050)		1.2500 (31.750)	-0.00065 (-16)	1.6250 (41.275)
GW16	6	1.0000 (25.400)		1.5625 (39.688)	0	2.2500 (57.150)
GW20	6	1.2500 (31.750)		2.0000 (50.800)	-0.00075 (-19)	2.6250 (66.675)

			basic load rating		mass g
B	W	D ₁	dynamic C N	static C ₀ N	
inch/(mm)	inch/(mm)	inch/(mm)			
.4329 (10.996)	.0390 (0.992)	.4687 (11.906)	206	265	5.4
.5577 (14.166)	.0390 (0.992)	.5880 (14.935)	225	314	7.8
.8710 (22.123)	.0459 (1.168)	.8209 (20.853)	510	784	26
.9920 (25.197)	.0559 (1.422)	1.0590 (26.899)	774	1,180	51
1.0538 (26.767)	.0559 (1.422)	1.1760 (29.870)	862	1,370	72
1.6187 (41.115)	.0679 (1.727)	1.4687 (37.306)	980	1,570	138
1.8687 (47.465)	.0679 (1.727)	1.8859 (47.904)	1,570	2,740	269

1N≐0.225lbf 1kg≐2.205lbs

SMA TYPE

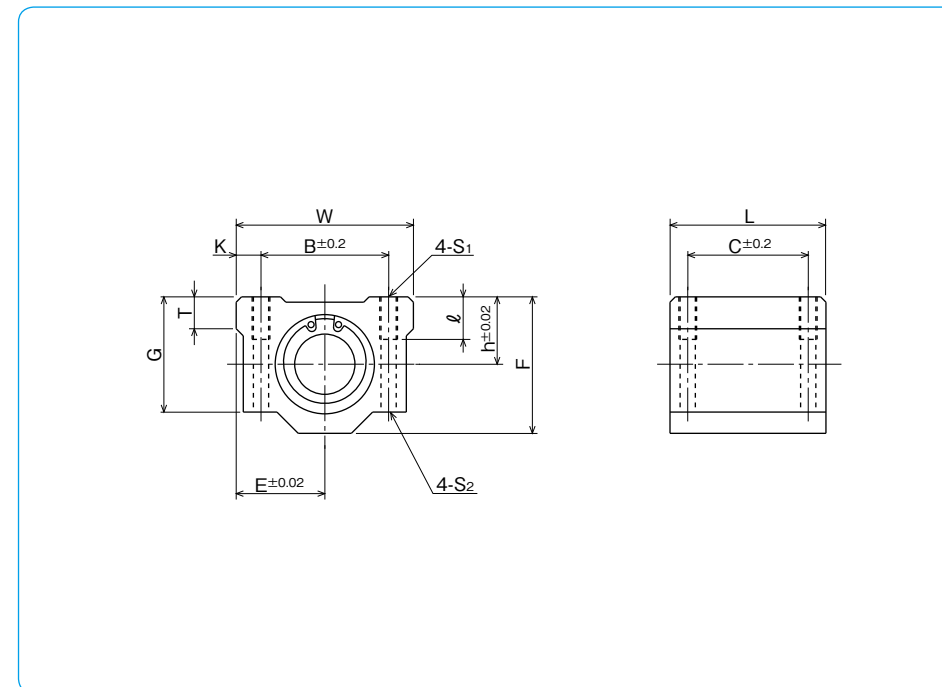
– Block Type –



part number structure

example **SMSA 25 G UU**

specification SMA: standard SMSA: anti-corrosion	inner contact diameter	retainer material blank: standard/steel anti-corrosion/stainless steel G: resin	seal blank: without seal UU: seals on both sides
--	------------------------	--	--



part number	inner contact diameter		major dimensions						
	mm	tolerance μm	h mm	E mm	W mm	L mm	F mm	G mm	T mm
SMA 3GUU	3		5	8	16	13	10	8	—
SMA 4GUU	4	0	5.5	8.5	17	15	11	9	—
SMA 5GUU	5	- 8	7	11	22	18	14	11	—
SMA 6GUU	6		9	15	30	25	18	15	6
SMA 8GUU	8		11	17	34	30	22	18	6
SMA 10GUU	10	0	13	20	40	35	26	21	8
SMA 12GUU	12	- 9	15	21	42	36	28	24	8
SMA 13GUU	13		15	22	44	39	30	24.5	8
SMA 16GUU	16		19	25	50	44	38.5	32.5	9
SMA 20GUU	20		21	27	54	50	41	35	11
SMA 25GUU	25	0	26	38	76	67	51.5	42	12
SMA 30GUU	30	-10	30	39	78	72	59.5	49	15
SMA 35GUU	35		34	45	90	80	68	54	18
SMA 40GUU	40	0	40	51	102	90	78	62	20
SMA 50GUU	50	-12	52	61	122	110	102	80	25
SMA 60GUU	60	0/-15	58	66	132	122	114	94	30

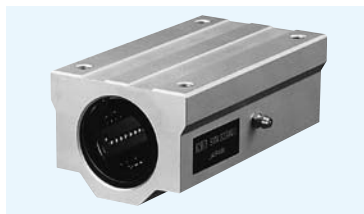
mounting dimensions						basic load rating		* mass g	shaft diameter mm
B mm	C mm	K mm	S ₁	l mm	S ₂ mm	dynamic C N	static Co N		
11	8	2.5	M2	—	—	69	105	5	3
12	10	2.5	M3	—	—	88	127	7	4
16	12	3	M3	—	—	167	206	14	5
20	15	5	M4	8	3.4	206	265	34	6
24	18	5	M4	8	3.4	274	392	52	8
28	21	6	M5	12	4.3	372	549	92	10
30.5	26	5.75	M5	12	4.3	510	784	102	12
33	26	5.5	M5	12	4.3	510	784	120	13
36	34	7	M5	12	4.3	774	1,180	200	16
40	40	7	M6	12	5.2	882	1,370	255	20
54	50	11	M8	18	7	980	1,570	600	25
58	58	10	M8	18	7	1,570	2,740	735	30
70	60	10	M8	18	7	1,670	3,140	1,100	35
80	60	11	M10	25	8.7	2,160	4,020	1,590	40
100	80	11	M10	25	8.7	3,820	7,940	3,340	50
108	90	12	M12	25	10.7	4,700	10,000	4,270	60

* Mass of resin retainer type

1N≒0.102kgf

SMA-W TYPE

– Double-Wide Block Type –



part number structure

example **SMSA 25 G W UU**

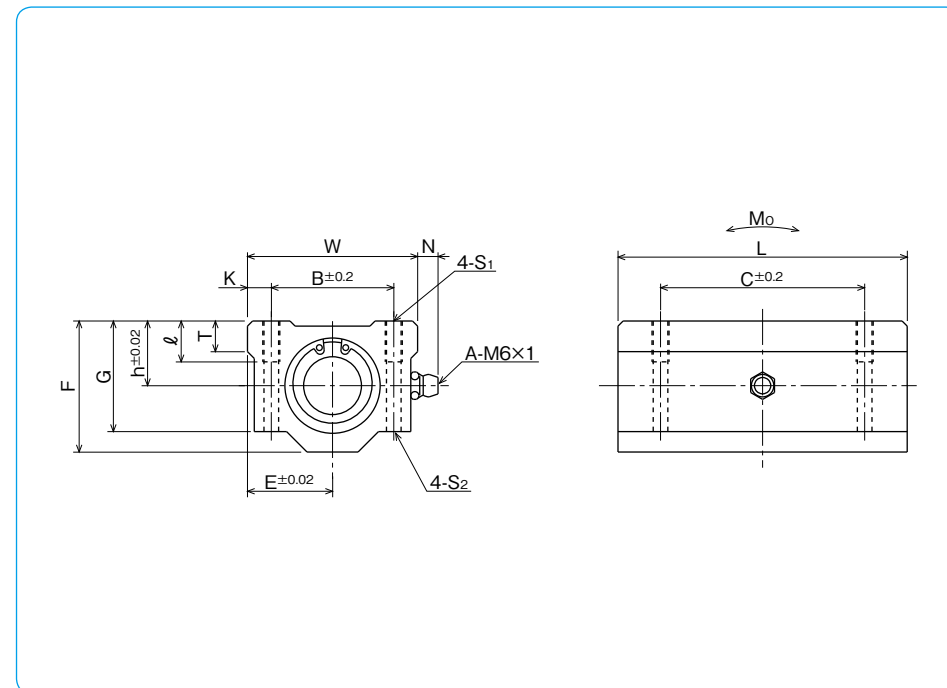
specification
SMA: standard
SMSA: anti-corrosion

inner contact diameter

retainer material
blank: standard/steel
G: resin

seal
blank: without seal
UU: seals on both sides

double-wide type



part number	inner contact diameter		major dimensions							
	mm	tolerance μm	h mm	E mm	W mm	L mm	F mm	G mm	T mm	N mm
SMA 3GWUU	3	- 8	5	8	16	23	10	8	—	—
SMA 4GWUU	4		5.5	8.5	17	27	11	9	—	—
SMA 5GWUU	5		7	11	22	33	14	11	—	—
SMA 6GWUU	6	0	9	15	30	48	18	15	6	7
SMA 8GWUU	8		11	17	34	58	22	18	6	7
SMA 10GWUU	10		13	20	40	68	26	21	8	7
SMA 12GWUU	12		15	21	42	70	28	24	8	6.5
SMA 13GWUU	13		15	22	44	75	30	24.5	8	6.5
SMA 16GWUU	16		19	25	50	85	38.5	32.5	9	6
SMA 20GWUU	20	- 10	21	27	54	96	41	35	11	7
SMA 25GWUU	25		26	38	76	130	51.5	42	12	4
SMA 30GWUU	30		30	39	78	140	59.5	49	15	5
SMA 35GWUU	35	0	34	45	90	155	68	54	18	5.5
SMA 40GWUU	40		40	51	102	175	78	62	20	5
SMA 50GWUU	50		52	61	122	215	102	80	25	5
SMA 60GWUU	60	0/-15	58	66	132	240	114	94	30	5

mounting dimensions						basic load rating		allowable static moment Mo N·m	** mass g	shaft diameter mm
B mm	C mm	K mm	S ₁	ℓ mm	S ₂ mm	dynamic C N	static Co N			
11	16	2.5	M2	—	—	108	206	0.49	10	3
12	20	2.5	M3	—	—	137	255	0.72	13	4
16	25	3	M3	—	—	265	412	1.54	27	5
20	36	5	M4	8	3.4	323	530	2.18	63	6
24	42	5	M4	8	3.4	431	784	4.31	102	8
28	46	6	M5	12	4.3	588	1,100	7.24	180	10
30.5	50	5.75	M5	12	4.3	813	1,570	10.9	205	12
33	50	5.5	M5	12	4.3	813	1,570	11.6	240	13
36	60	7	M5	12	4.3	1,230	2,350	19.7	400	16
40	70	7	M6	12	5.2	1,400	2,740	26.8	570	20
54	100	11	M8	18	7	1,560	3,140	43.4	1,200	25
58	110	10	M8	18	7	2,490	5,490	82.8	1,480	30
70	120	10	M8	18	7	2,650	6,270	110	2,200	35
80	140	11	M10	25	8.7	3,430	8,040	147	3,200	40
100	160	11	M10	25	8.7	6,080	15,900	397	6,700	50
108	180	12	M12	25	10.7	7,550	20,000	530	8,560	60

* Mass of resin retainer type

1N ≅ 0.102kgf 1N · m ≅ 0.102kgf · m

AK TYPE

– Compact Block Type –



part number structure

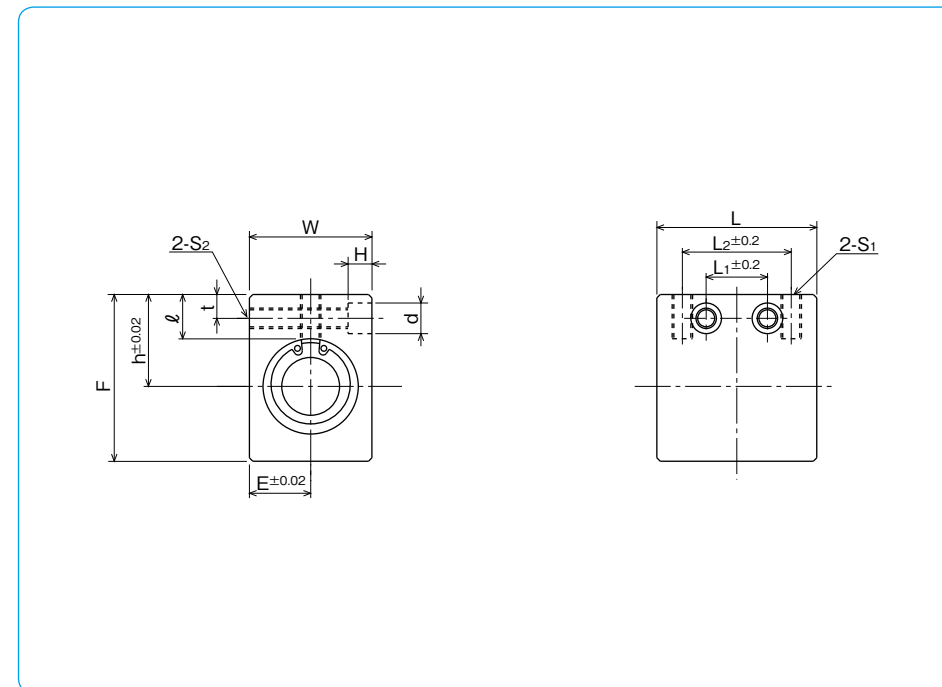
example **AKS 25 G UU**

specification
AK: standard
AKS: anti-corrosion

seal
blank: without seal
UU: seals on both sides

retainer material
blank: standard/steel
 anti-corrosion/stainless steel
G: resin

inner contact diameter



part number	inner contact diameter		outer dimensions				major dimensions		
	mm	tolerance μm	h mm	E mm	W mm	L mm	F mm	L ₂ mm	S ₁
AK 6GUU	6	0 - 9	14	8	16	27	22	18	M4
AK 8GUU	8		16	10	20	32	26	20	M5
AK 10GUU	10		19	13	26	39	32	27	M6
AK 12GUU	12		20	14	28	40	34	27	M6
AK 13GUU	13		25	15	30	42	43	28	M6
AK 16GUU	16		27	18	36	47	49	32	M6
AK 20GUU	20	0 - 10	31	21	42	52	54	36	M8
AK 25GUU	25		37	26	52	69	65	42	M10
AK 30GUU	30		40	29	58	74	71	44	M10

mounting dimensions						basic load rating		* mass g	shaft diameter mm
l mm	L ₁ mm	t mm	S ₂	d mm	H mm	dynamic C N	static Co N		
8	9	5	M4	6	5	206	265	21.5	6
8.5	10	5	M4	6	5	274	392	40	8
9.5	15	6	M5	8	6	372	549	80	10
9.5	15	6	M5	8	6	510	784	90	12
13.5	16	7	M6	9	7	510	784	132	13
13	18	7	M6	9	7	774	1,180	204	16
15	18	8	M8	11	8	882	1,370	272	20
17	22	9	M10	14	10	980	1,570	574	25
17.5	22	9	M10	14	10	1,570	2,740	710	30

* Mass of resin retainer type

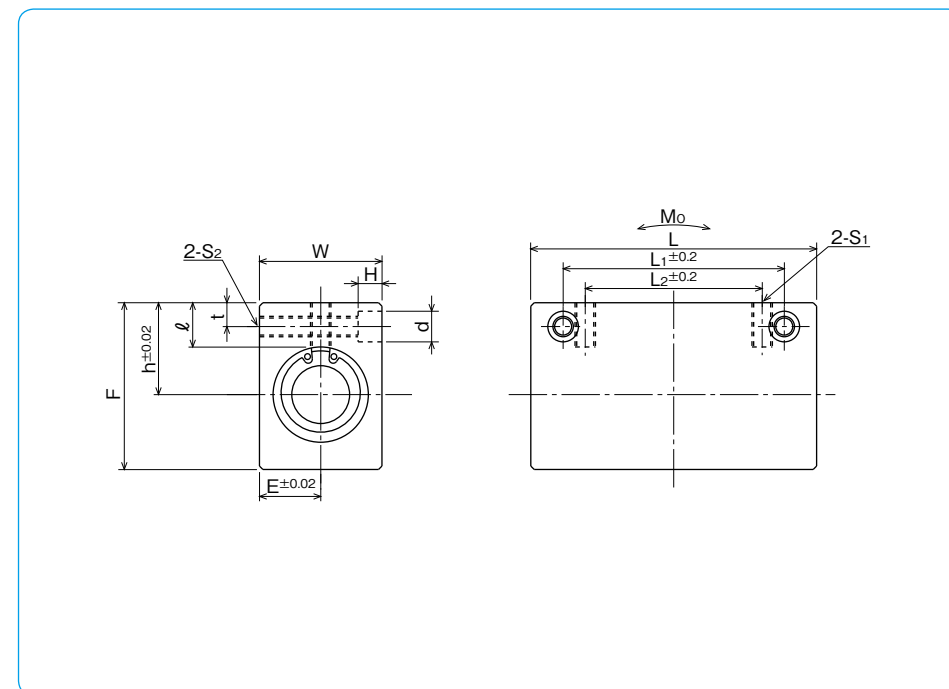
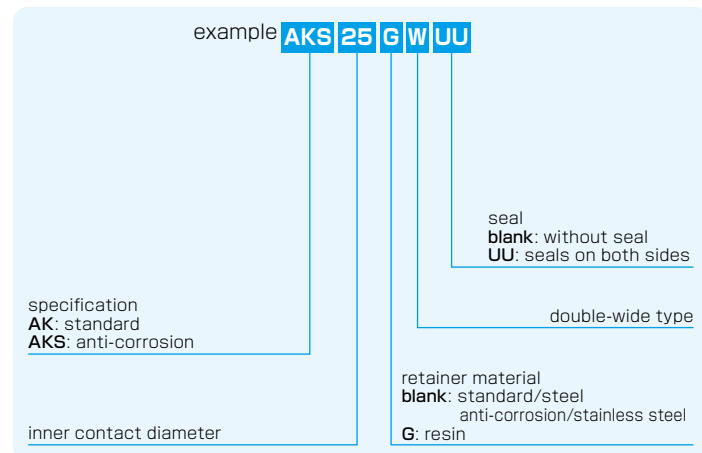
1N≐0.102kgf

AK-W TYPE

– Double-Wide Compact Block Type –



part number structure



part number	inner contact diameter		outer dimensions				major dimensions		
	mm	tolerance μm	h mm	E mm	W mm	L mm	F mm	L ₂ mm	S ₁
AK 6GWUU	6	0 - 9	14	8	16	46	22	20	M4
AK 8GWUU	8		16	10	20	56	26	30	M5
AK10GWUU	10		19	13	26	68	32	36	M6
AK12GWUU	12		20	14	28	70	34	36	M6
AK13GWUU	13		25	15	30	74	43	42	M6
AK16GWUU	16		27	18	36	84	49	52	M6
AK20GWUU	20	0 -10	31	21	42	94	54	58	M8
AK25GWUU	25		37	26	52	128	65	80	M10
AK30GWUU	30		40	29	58	138	71	90	M10

mounting dimensions						basic load rating		allowable static moment Mo N · m	* mass g	shaft diameter mm
l mm	L ₁ mm	t mm	S ₂	d mm	H mm	dynamic C N	static Co N			
8	30	5	M4	6	5	323	530	2.18	40	6
8.5	42	5	M4	6	5	431	784	4.31	75	8
9.5	50	6	M5	8	6	588	1,100	7.24	150	10
9.5	50	6	M5	8	6	813	1,570	10.9	168	12
13.5	55	7	M6	9	7	813	1,570	11.6	248	13
13	65	7	M6	9	7	1,230	2,350	19.7	383	16
15	70	8	M8	11	8	1,400	2,740	26.8	520	20
17	100	9	M10	14	10	1,560	3,140	43.4	1,120	25
17.5	110	9	M10	14	10	2,490	5,490	82.8	1,384	30

* Mass of resin retainer type

1N ≙ 0.102kgf 1N · m ≙ 0.102kgf · m

SMB TYPE

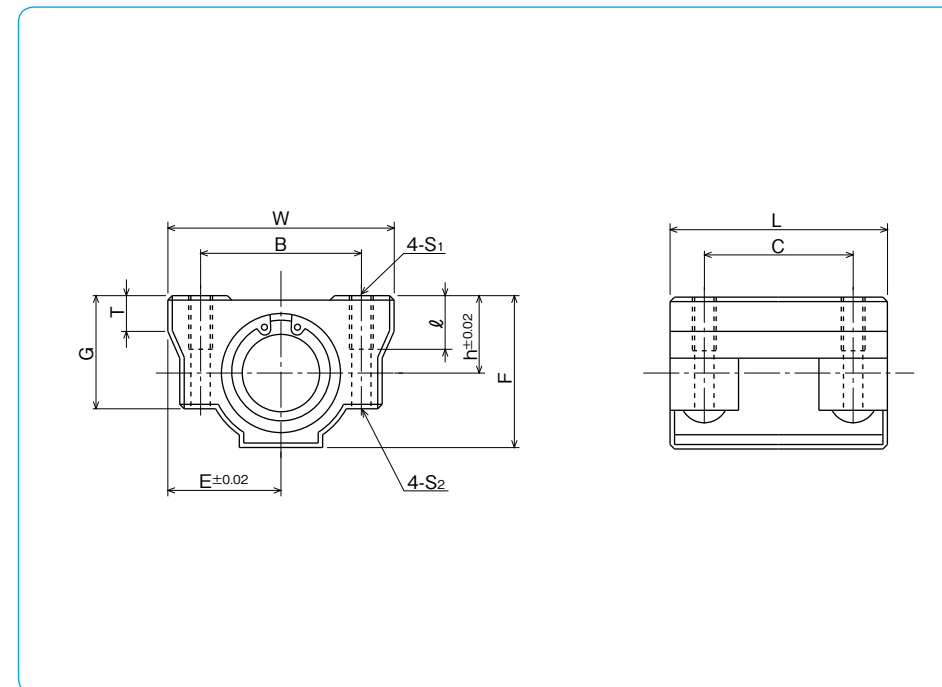
– Block Type –



part number structure

example **SMSB 25 G UU**

specification SMB : standard SMSB : anti-corrosion	inner contact diameter	retainer material blank : standard/steel anti-corrosion/stainless steel G : resin	seal blank : without seal UU : seals on both sides
--	------------------------	--	--



part number	inner contact diameter		outer dimensions							major dimensions	
	mm	tolerance	h mm	E mm	W mm	L mm	F mm	G mm	T mm	G mm	T mm
		μm									
SMB13GUU	13	0	16	22	44	39	31	22	8		
SMB16GUU	16	- 9	19	25	50	49	37	28	9		
SMB20GUU	20	0	21	27	54	55	41	31	11		
SMB25GUU	25	-10	26	38	76	73	51	38	12		
SMB30GUU	30		30	39	78	80	57	45	15		
SMB40GUU	40	0/-12	40	51	102	96	75	59	22		

mounting dimensions					basic load rating		* mass g	shaft diameter mm
B mm	C mm	S ₁	ℓ mm	S ₂ mm	dynamic C N	static Co N		
33	26	M5	10	4.3	510	784	120	13
36	34	M5	12	4.3	774	1,180	170	16
40	40	M6	12	5.1	882	1,370	210	20
54	50	M8	18	6.8	980	1,570	500	25
58	58	M8	18	6.8	1,570	2,740	600	30
80	60	M10	25	8.6	2,160	4,020	1,200	40

* Mass of resin retainer type

1N≐0.102kgf

SLIDE BUSH

SMP TYPE

– Pillow Block Type –



part number structure

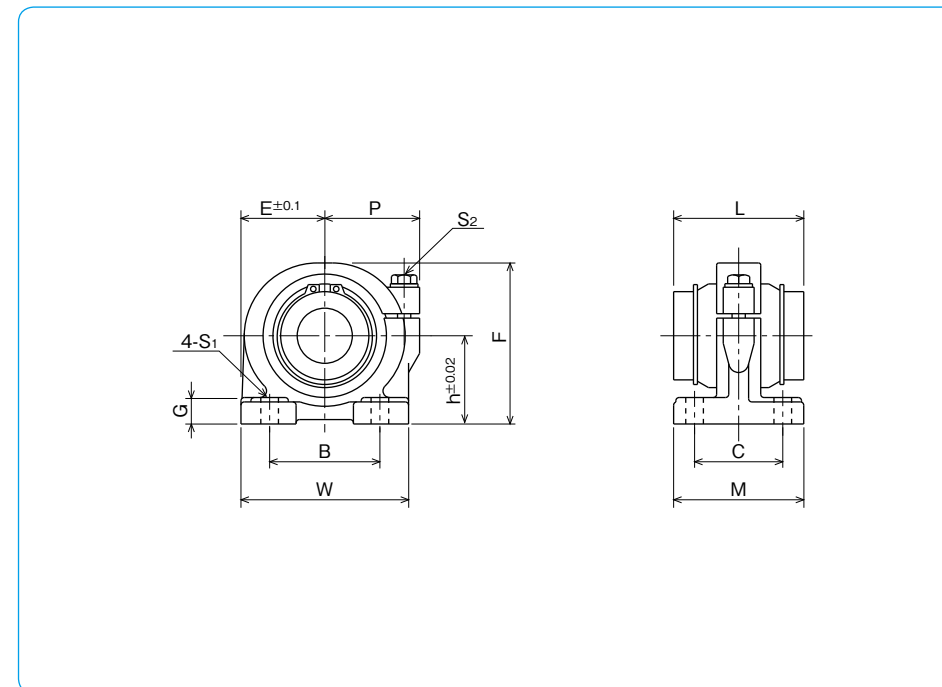
example **SMP 25 G UU**

SMP type

inner contact diameter

seal
blank: without seal
UU: seals on both sides

retainer material
blank: steel
G: resin



part number	inner contact diameter		outer dimensions							major dimensions	
	mm	tolerance	h mm	E mm	W mm	L mm	F mm	G mm	M mm		
		μm									
SMP13GUU	13	0	25	25	50	32	46	8	36		
SMP16GUU	16	- 9	29	27.5	55	37	53	10	40		
SMP20GUU	20	0	34	32.5	65	42	62	12	48		
SMP25GUU	25		-10	40	38	76	59	73	12	59	
SMP30GUU	30	0	45	42.5	85	64	84	15	69		
SMP35GUU	35		-12	50	49	98	70	94	15	76	
SMP40GUU	40	0	60	62	124	80	112	18	86		
SMP50GUU	50		-15	70	72	144	100	134	20	105	
SMP60GUU	60	0/-15	82	84.5	169	110	154	23	115		

P mm	mounting dimensions			adjustment screw size S ₂	basic load rating		* mass g	shaft diameter mm
	B mm	C mm	S ₁ mm		dynamic C N	static Co N		
30	30	26	7 (M5)	M5	510	784	270	13
32	35	29	7 (M5)	M5	774	1,180	380	16
37	40	35	8 (M6)	M6	882	1,370	680	20
43	50	40	8 (M6)	M6	980	1,570	1,000	25
49	58	46	10 (M8)	M8	1,570	2,740	1,400	30
58	62	53	12 (M10)	M10	1,670	3,140	2,100	35
68	76	64	12 (M10)	M10	2,160	4,020	3,700	40
80	100	70	14 (M12)	M12	3,820	7,940	6,100	50
88	115	80	14 (M12)	M12	4,700	10,000	8,700	60

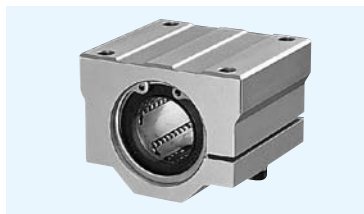
* Mass of resin retainer type

1N≒0.102kgf

SLIDE BUSH

SMJ TYPE

– Clearance Adjustable Type –



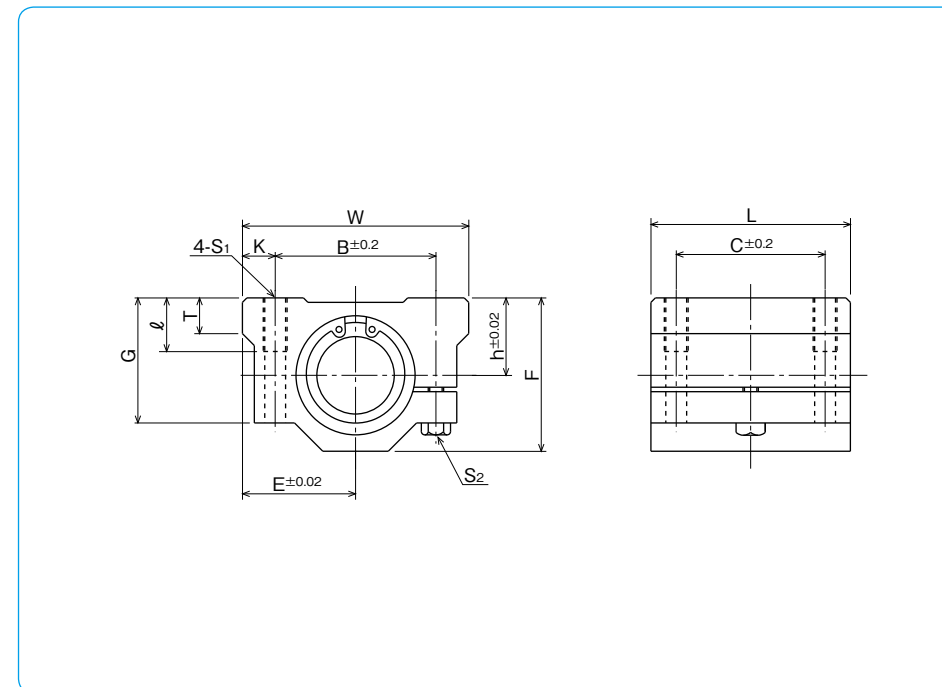
part number structure

example **SMSJ 25 G UU**

specification SMJ : standard SMSJ : anti-corrosion	inner contact diameter 25	retainer material blank : standard/steel* anti-corrosion/stainless steel* G : resin	seal blank : without seal UU : seals on both sides
--	-------------------------------------	--	--

*Size 10 is provided with resin retainer type only.

part number	inner contact diameter mm	major dimensions							
		h mm	E mm	outer dimensions			G mm	T mm	B mm
				W mm	L mm	F mm			
SMJ10GUU	10	13	20	40	35	26	21	8	28
SMJ12GUU	12	15	21	42	36	28	24	8	30.5
SMJ13GUU	13	15	22	44	39	30	24.5	8	33
SMJ16GUU	16	19	25	50	44	38.5	32.5	9	36
SMJ20GUU	20	21	27	54	50	41	35	11	40
SMJ25GUU	25	26	38	76	67	51.5	42	12	54
SMJ30GUU	30	30	39	78	72	59.5	49	15	58
SMJ35GUU	35	34	45	90	80	68	54	18	70
SMJ40GUU	40	40	51	102	90	78	62	20	80
SMJ50GUU	50	52	61	122	110	102	80	25	100
SMJ60GUU	60	58	66	132	122	114	94	30	108



mounting dimensions				adjustment screw size S ₂	basic load rating		* mass g	shaft diameter mm
C mm	K mm	S ₁	ℓ mm		dynamic C N	static C ₀ N		
21	6	M5	12	M4	372	549	92	10
26	5.75	M5	12	M4	510	784	102	12
26	5.5	M5	12	M4	510	784	120	13
34	7	M5	12	M4	774	1,180	200	16
40	7	M6	12	M5	882	1,370	255	20
50	11	M8	18	M6	980	1,570	600	25
58	10	M8	18	M6	1,570	2,740	735	30
60	10	M8	18	M6	1,670	3,140	1,100	35
60	11	M10	25	M8	2,160	4,020	1,590	40
80	11	M10	25	M8	3,820	7,940	3,340	50
90	12	M12	25	M10	4,700	10,000	4,270	60

* Mass of resin retainer type

1N≒0.102kgf

SME TYPE

– Open Block Type –



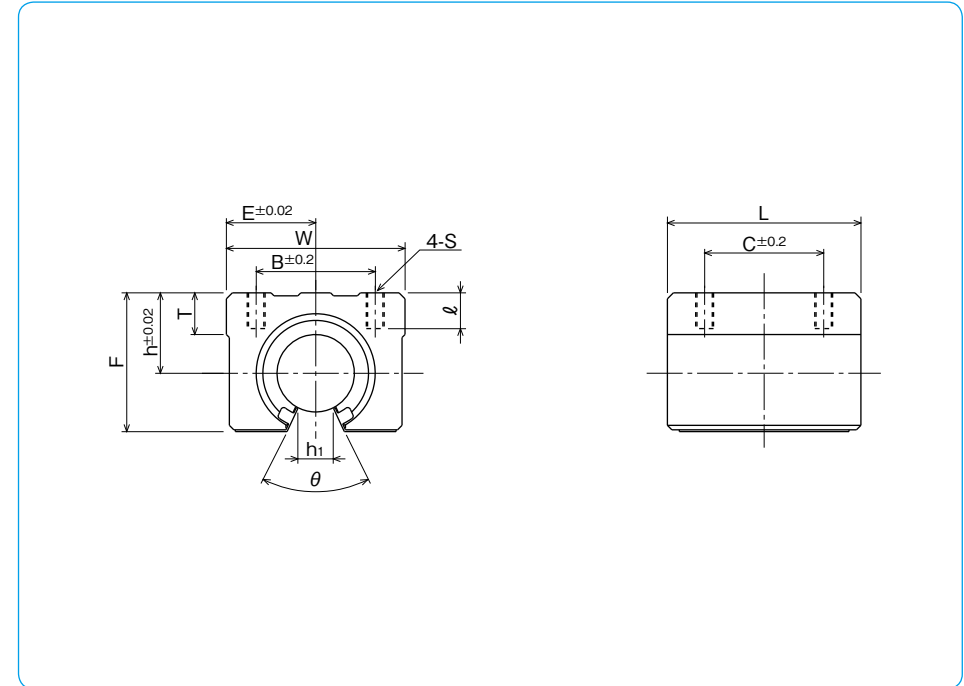
part number structure

example **SMSE 25 G UU**

specification SME: standard SMSE: anti-corrosion	inner contact diameter	retainer material blank: standard/steel* anti-corrosion/stainless steel* G: resin	seal blank: without seal UU: seals on both sides
--	------------------------	--	--

*Size 10 is provided with resin retainer type only.

part number	inner contact diameter mm	major dimensions							
		h mm	E mm	W mm	outer dimensions			h ₁ mm	θ
SME10GUU	10	15	18	36	32	24	7	6	80°
SME13GUU	13	17	20	40	39	28	8	8.5	80°
SME16GUU	16	20	22.5	45	45	33	9	10	80°
SME20GUU	20	23	24	48	50	39	11	10	60°
SME25GUU	25	27	30	60	65	47	14	11.5	50°
SME30GUU	30	33	35	70	70	56	15	14	50°
SME35GUU	35	37	40	80	80	63	18	16	50°
SME40GUU	40	42	45	90	90	72	20	19	50°
SME50GUU	50	53	60	120	110	92	25	23	50°



B mm	mounting dimensions			basic load rating		* mass g	shaft diameter mm
	C mm	S	l mm	dynamic C N	static Co N		
25	20	M5	10	372	549	65	10
28	26	M5	10	510	784	100	13
32	30	M5	12	774	1,180	150	16
35	35	M6	12	882	1,370	200	20
40	40	M6	12	980	1,570	450	25
50	50	M8	18	1,570	2,740	630	30
55	55	M8	18	1,670	3,140	925	35
65	65	M10	20	2,160	4,020	1,330	40
94	80	M10	20	3,820	7,940	3,000	50

* Mass of resin retainer type

1N≐0.102kgf

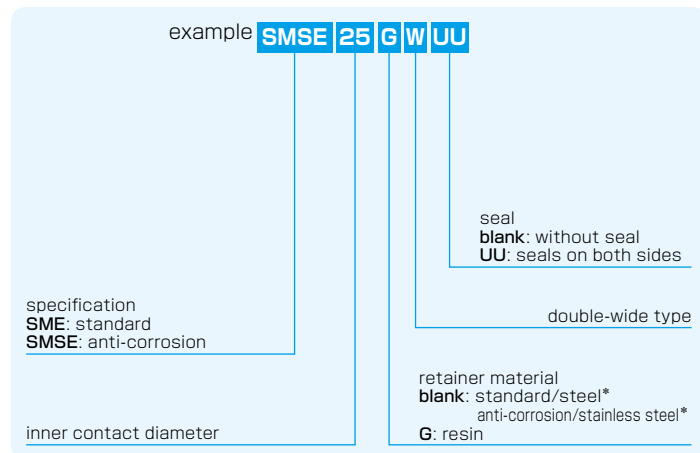
SLIDE BUSH

SME-W TYPE

– Double-wide Open Block Type –

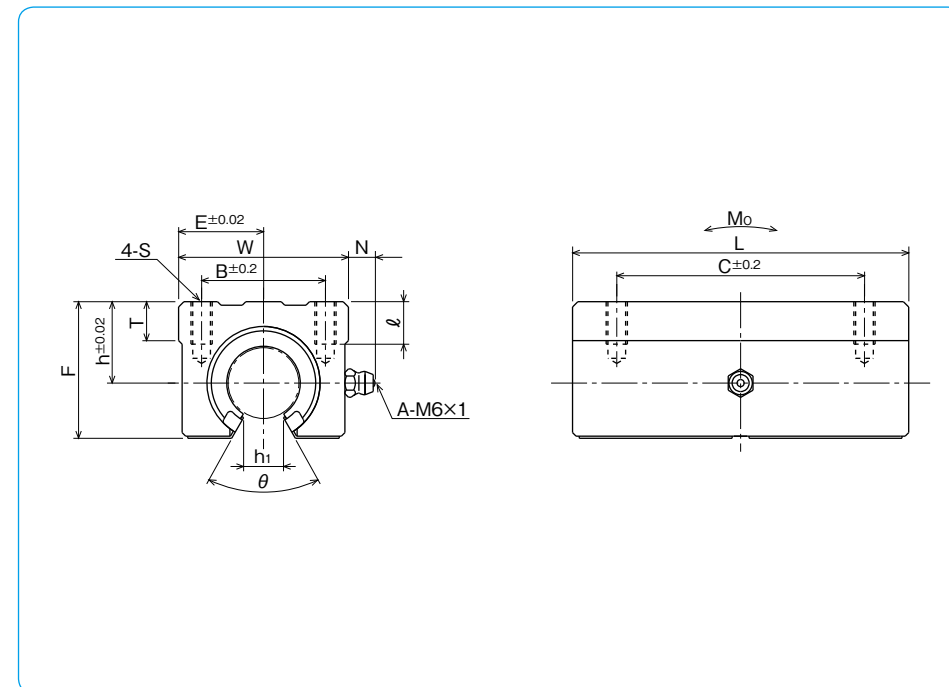


part number structure



*Size 10 is provided with resin retainer type only.

part number	inner contact diameter mm	outer dimensions							major dimensions	
		h mm	E mm	W mm	L mm	F mm	T mm	N mm	h ₁ mm	θ
SME10GWUU	10	15	18	36	65	24	7	7.5	6	80°
SME13GWUU	13	17	20	40	75	28	8	7.5	8.5	80°
SME16GWUU	16	20	22.5	45	85	33	9	7.5	10	80°
SME20GWUU	20	23	24	48	95	39	11	7.5	10	60°
SME25GWUU	25	27	30	60	130	47	14	7.5	11.5	50°
SME30GWUU	30	33	35	70	140	56	15	7.5	14	50°



B mm	mounting dimensions			basic load rating		allowable static moment Mo N·m	* mass g	shaft diameter mm
	C mm	S	ℓ mm	dynamic C N	static Co N			
25	40	M5	10	588	1,100	4.63	140	10
28	50	M5	10	813	1,570	7.42	200	13
32	60	M5	12	1,230	2,350	12.6	300	16
35	70	M6	12	1,400	2,740	14.5	400	20
40	90	M6	12	1,560	3,140	24.7	900	25
50	100	M8	18	2,490	5,490	47.2	1,260	30

* Mass of resin retainer type

1N ≒ 0.102kgf 1N·m ≒ 0.102kgf·m

SMD TYPE

— Open Block with Clearance Adjustable Type —



part number structure

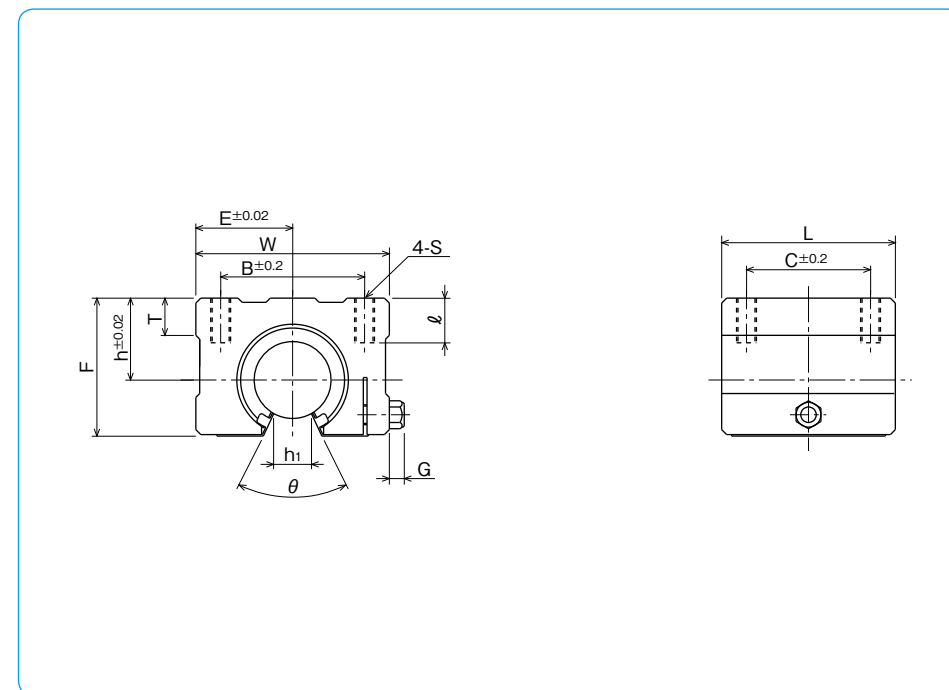
example **SMSD 25 G UU**

specification
SMD: standard
SMSD: anti-corrosion

inner contact diameter

seal
blank: without seal
UU: seals on both sides

retainer material
blank: standard/steel
 anti-corrosion/stainless steel
G: resin



part number	inner contact diameter mm	h mm	outer dimensions					major dimensions		
			E mm	W mm	L mm	F mm	T mm	G mm	h ₁ mm	θ
SMD16GUU	16	20	25	50	45	33	9	6	10	80°
SMD20GUU	20	23	27	54	50	39	11	7	10	60°
SMD25GUU	25	27	38	76	65	47	14	7	11.5	50°
SMD30GUU	30	33	39	78	70	56	15	7	14	50°

B mm	mounting dimensions			basic load rating		* mass g	shaft diameter mm
	C mm	S	ℓ mm	dynamic C N	static Co N		
36	30	M5	12	774	1,180	170	16
40	35	M6	12	882	1,370	240	20
54	40	M6	12	980	1,570	580	25
58	50	M8	18	1,570	2,740	720	30

* Mass of resin retainer type

1N≐0.102kgf

RB TYPE

– Resin Block Type –

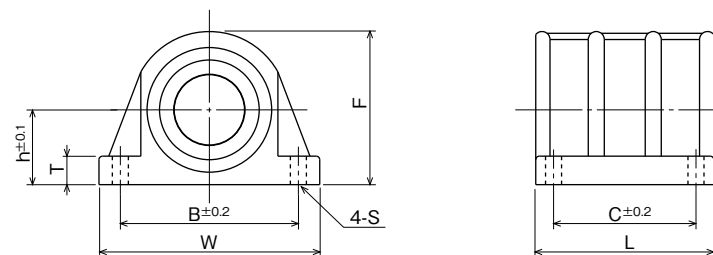


part number structure

example **RB 20**

RB type

inner contact diameter



part number	inner contact diameter		major dimensions			
	mm	tolerance μm	h mm	W mm	L mm	F mm
RB10	10	0 -9	13	45	35	26.5
RB12	12		15	50	36	30
RB13	13		15	50	39	31
RB16	16		19	56	44	38.5
RB20	20		0/-10	21	62	50

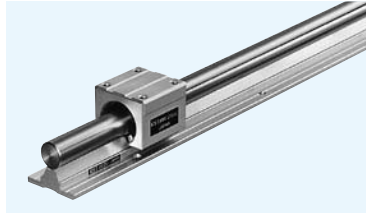
RB has seals as standard.

T mm	mounting dimensions			basic load rating		mass g	shaft diameter mm
	B mm	C mm	S mm	dynamic C N	static Co N		
6	35	21	4.5	372	549	43	10
6.5	40	26	4.5	510	784	50	12
6.5	40	26	4.5	510	784	63	13
7	46	34	4.5	774	1,180	99	16
8	50	40	5.5	882	1,370	127	20

1N=0.102kgf

CE TYPE

– Non-Clearance Adjustable Type –



part number structure

CES 25 - 2 - 500

specification
CE: standard
CES: anti-corrosion

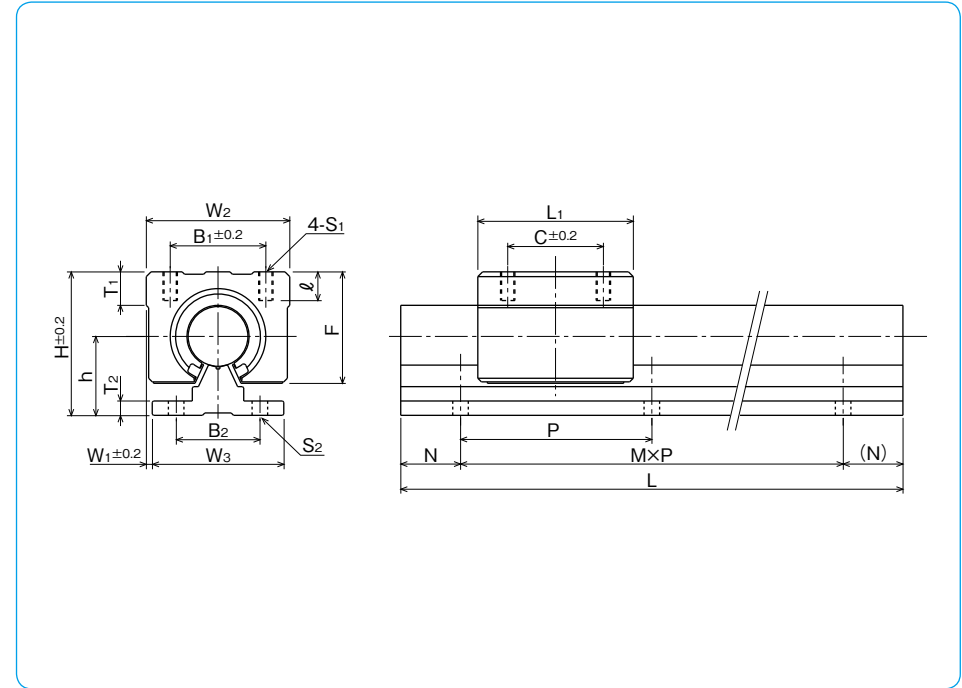
shaft diameter

number of blocks
 attached to one shaft

total length

※Bush inside is a resin retainer type with seals.

part number		shaft diameter mm	assembly dimension			block dimension											major dimensions				
standard	anti-corrosion		H	h	W ₁	W ₂	L ₁	B ₁	C	T ₁	ℓ	S ₁	F	W ₃	B ₂	T ₂	P	S ₂			
CE16	CES16	16	45	25	2.5	45	45	32	30	9	12	M5	33	40	30	5	150	5.5			
CE20	CES20	20	50	27	1.5	48	50	35	35	11	12	M6	39	45	30	5	150	5.5			
CE25	CES25	25	60	33	2.5	60	65	40	40	14	12	M6	47	55	35	6	200	6.5			
CE30	CES30	30	70	37	5	70	70	50	50	15	18	M8	56	60	40	7	200	6.5			

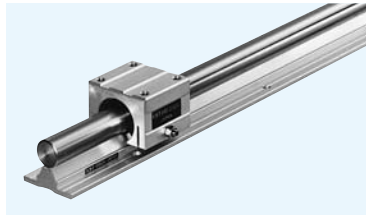


rail dimensions L (M,N) mm				basic load rating		mass		size
				dynamic C N	static Co N	block g	rail kg/m	
300 (1,75)	500 (3,25)	800 (5,25)	1,000 (6,50)	774	1,180	150	2.58	16
1,500 (9,75)	1,800 (11,75)	2,000 (13,25)						
300 (1,75)	500 (3,25)	800 (5,25)	1,000 (6,50)	882	1,370	200	3.49	20
1,500 (9,75)	1,800 (11,75)	2,000 (13,25)						
300 (1,50)	500 (2,50)	800 (3,100)	1,000 (4,100)	980	1,570	450	5.31	25
1,500 (7,50)	1,800 (8,100)	2,000 (9,100)						
300 (1,50)	500 (2,50)	800 (3,100)	1,000 (4,100)	1,570	2,740	630	7.39	30
1,500 (7,50)	1,800 (8,100)	2,000 (9,100)						

1N≒0.102kgf

CD TYPE

– Clearance Adjustable Type –



part number structure

CDS 25 - 2 - 500

specification
 CD: standard
 CDS: anti-corrosion

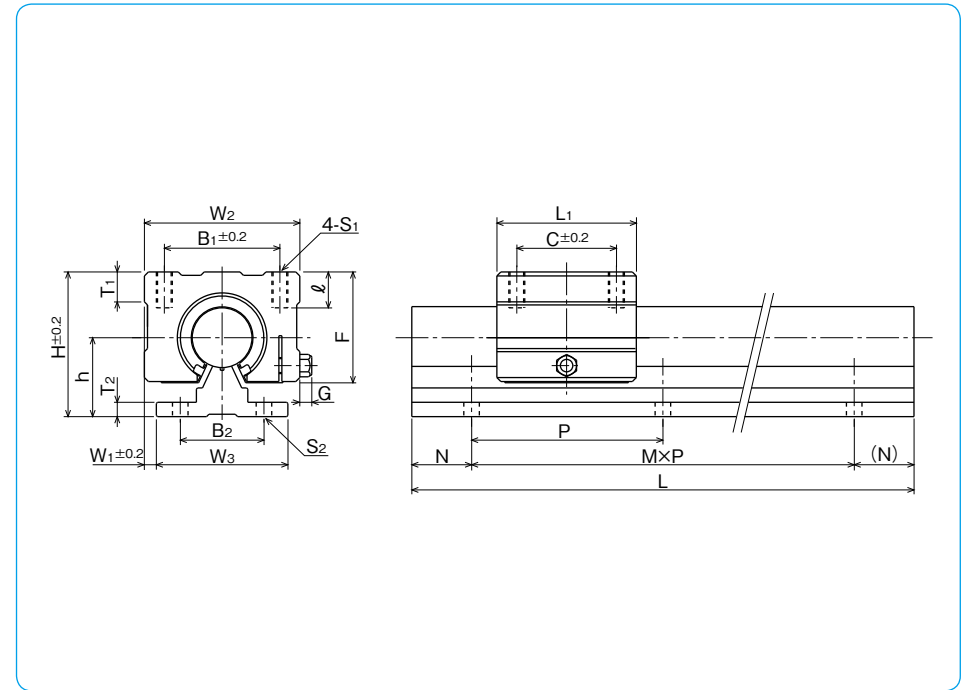
total length

shaft diameter

number of blocks
 attached to one shaft

※Bush inside is a resin retainer type with seals.

part number		shaft diameter mm	assembly dimensions			block dimensions										major dimensions				
standard	anti-corrosion		H	h	W ₁	W ₂	L ₁	B ₁	C	T ₁	ℓ	S ₁	G	F	W ₃	B ₂	T ₂	P	S ₂	
CD16	CDS16	16	45	25	5	50	45	36	30	9	12	M5	6	33	40	30	5	150	5.5	
CD20	CDS20	20	50	27	4.5	54	50	40	35	11	12	M6	7	39	45	30	5	150	5.5	
CD25	CDS25	25	60	33	10.5	76	65	54	40	14	12	M6	7	47	55	35	6	200	6.5	
CD30	CDS30	30	70	37	9	78	70	58	50	15	18	M8	7	56	60	40	7	200	6.5	



rail dimensions L (M,N) mm				basic load rating dynamic C N	static Co N	block g	rail kg/m	size
300 (1,75)	500 (3,25)	800 (5,25)	1,000 (6,50)	774	1,180	170	2.58	16
1,500 (9,75)	1,800 (11,75)	2,000 (13,25)		882	1,370	240	3.49	20
300 (1,50)	500 (2,50)	800 (3,100)	1,000 (4,100)	980	1,570	580	5.31	25
1,500 (7,50)	1,800 (8,100)	2,000 (9,100)		1,570	2,740	720	7.39	30

1N≒0.102kgf

SWA TYPE (Inch Standard)

– Block Type –



part number structure

example **SWA 20 G R UU**

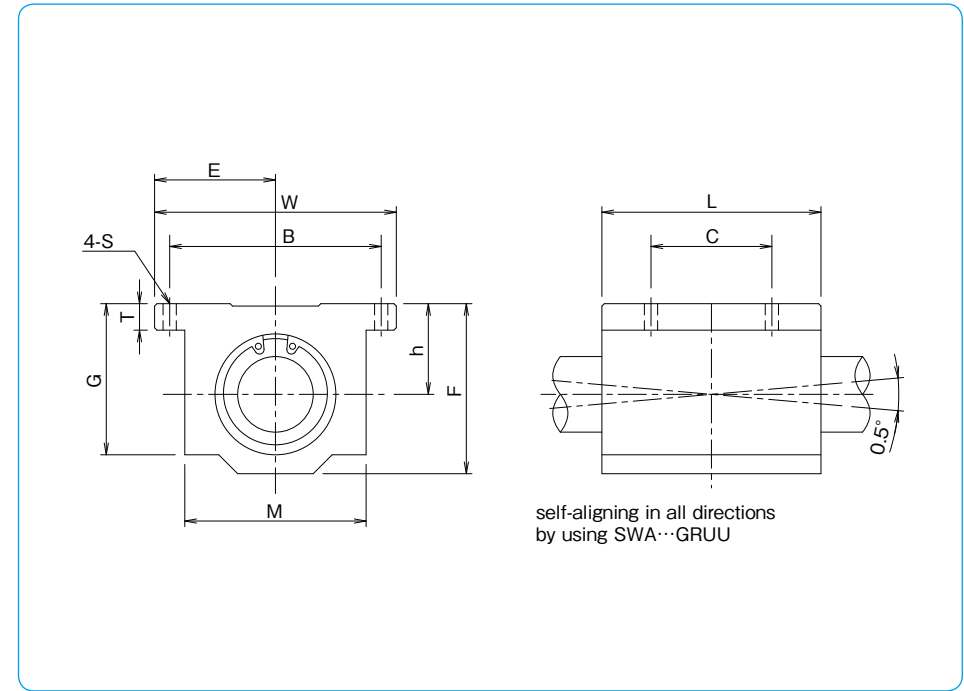
specification
SWA: standard
SWSA: anti-corrosion

size

retainer material
blank: standard/steel
 anti-corrosion/stainless steel
G: resin

seal
blank: without seal
UU: seals on both sides

self-aligning
 (SWA-resin retainer only)



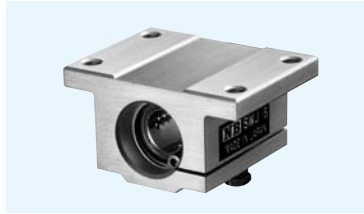
part number	inner contact diameter		major dimensions				
	tolerance		outer dimensions				
	inch/(mm)	inch/(μm)	h ±.001/(±0.02) inch/(mm)	E ±.001/(±0.02) inch/(mm)	W inch/(mm)	L inch/(mm)	F inch/(mm)
SWA 4GUU	.2500 (6.350)	0 −.00040 (−9)	.4370 (11.100)	.8125 (20.638)	1.625 (41.28)	1.188 (30.16)	.813 (20.64)
SWA 6GUU	.3750 (9.525)		.5000 (12.700)	.8750 (22.225)	1.750 (44.45)	1.313 (33.34)	.938 (23.82)
SWA 8GUU	.5000 (12.700)		.6870 (17.450)	1.0000 (25.400)	2.000 (50.80)	1.688 (42.86)	1.250 (31.75)
SWA 10GUU	.6250 (15.875)	0 −.00040 (−10)	.8750 (22.225)	1.2500 (31.750)	2.500 (63.50)	1.938 (49.21)	1.625 (41.28)
SWA 12GUU	.7500 (19.050)		.9370 (23.800)	1.3750 (34.925)	2.750 (69.85)	2.063 (52.39)	1.750 (44.45)
SWA 16GUU	1.0000 (25.400)		1.1870 (30.150)	1.6250 (41.275)	3.250 (82.55)	2.813 (71.44)	2.188 (55.56)
SWA 20GUU	1.2500 (31.750)	0 −.00050 (−12)	1.5000 (38.100)	2.0000 (50.800)	4.000 (101.60)	3.625 (92.08)	2.813 (71.44)
SWA 24GUU	1.5000 (38.100)		1.7500 (44.450)	2.3750 (60.325)	4.750 (120.65)	4.000 (101.60)	3.250 (82.55)
SWA 32GUU	2.0000 (50.800)		2.1250 (53.975)	3.0000 (76.200)	6.000 (152.40)	5.000 (127.00)	4.063 (103.19)

T	G	M	mounting dimensions			basic load rating		mass
			B	C	S	dynamic	static	
			±.01/(±0.2) inch/(mm)	±.01/(±0.2) inch/(mm)	inch/(mm)	C	Co	
.188 (4.76)	.750 (19.05)	1.000 (25.40)	1.312 (33.33)	.750 (19.05)	.156 (4.0)	206	265	45
.188 (4.76)	.875 (22.23)	1.125 (28.58)	1.437 (36.50)	.875 (22.23)	.156 (4.0)	225	314	62
.250 (6.35)	1.125 (28.58)	1.375 (34.93)	1.688 (42.88)	1.000 (25.40)	.156 (4.0)	510	784	130
.281 (7.14)	1.437 (36.50)	1.750 (44.45)	2.125 (53.98)	1.125 (28.58)	.188 (4.8)	774	1,180	240
.313 (7.94)	1.563 (39.69)	1.875 (47.63)	2.375 (60.33)	1.250 (31.75)	.188 (4.8)	862	1,370	290
.375 (9.53)	1.938 (49.21)	2.375 (60.33)	2.875 (73.03)	1.750 (44.45)	.219 (5.6)	980	1,570	615
.438 (11.11)	2.500 (63.50)	3.000 (76.20)	3.500 (88.90)	2.000 (50.80)	.219 (5.6)	1,570	2,740	1,300
.500 (12.70)	2.875 (73.03)	3.500 (88.90)	4.125 (104.78)	2.500 (63.50)	.281 (7.2)	2,160	4,020	1,900
.625 (15.88)	3.625 (92.08)	4.500 (114.30)	5.250 (133.35)	3.250 (82.55)	.406 (10.5)	3,820	7,940	3,600

SI UNIT 1N≒0.225lbf
 1kg≒2.205lbs

SWJ TYPE (Inch Standard)

– Clearance Adjustable Block Type –



part number structure

example **SWJ 20 G R UU**

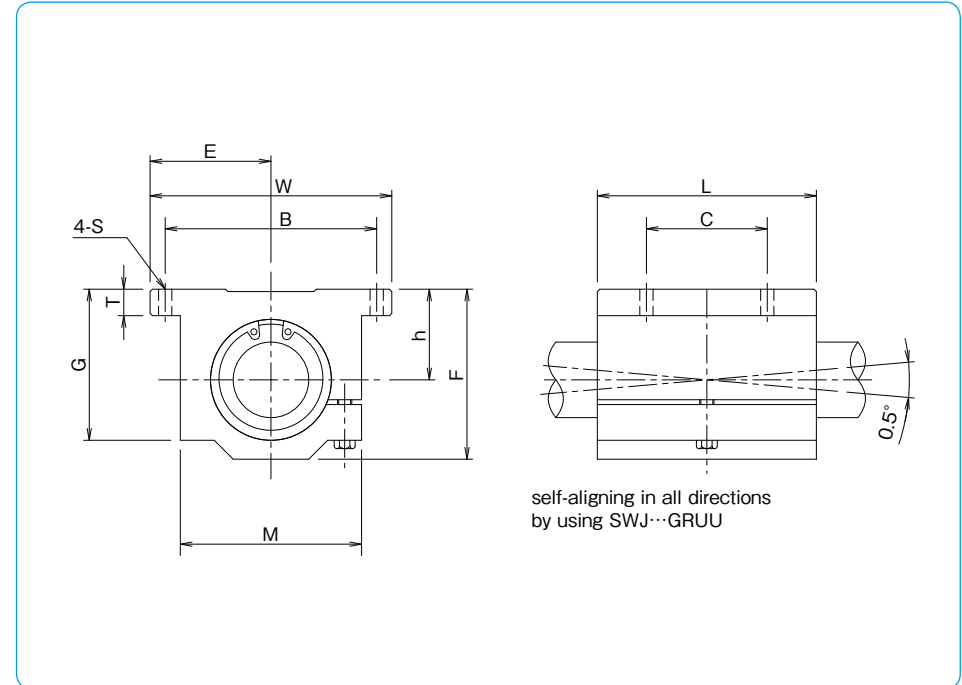
specification
SWJ: standard
SWSJ: anti-corrosion

size

retainer material
blank: standard/steel
 anti-corrosion/stainless steel
G: resin

seal
blank: without seal
UU: seals on both sides

self-aligning
 (SWA-resin retainer only)



part number	inner contact diameter inch/(mm)	major dimensions outer dimensions				
		h ±.001/(±0.02) inch/(mm)	E ±.001/(±0.02) inch/(mm)	W inch/(mm)	L inch/(mm)	F inch/(mm)
SWJ 4GUU	.2500 (6.350)	.4370 (11.100)	.8125 (20.638)	1.625 (41.28)	1.188 (30.16)	.813 (20.64)
SWJ 6GUU	.3750 (9.525)	.5000 (12.700)	.8750 (22.225)	1.750 (44.45)	1.313 (33.34)	.938 (23.82)
SWJ 8GUU	.5000 (12.700)	.6870 (17.450)	1.0000 (25.400)	2.000 (50.80)	1.688 (42.86)	1.250 (31.75)
SWJ 10GUU	.6250 (15.875)	.8750 (22.225)	1.2500 (31.750)	2.500 (63.50)	1.938 (49.21)	1.625 (41.28)
SWJ 12GUU	.7500 (19.050)	.9370 (23.800)	1.3750 (34.925)	2.750 (69.85)	2.063 (52.39)	1.750 (44.45)
SWJ 16GUU	1.0000 (25.400)	1.1870 (30.150)	1.6250 (41.275)	3.250 (82.55)	2.813 (71.44)	2.188 (55.56)
SWJ 20GUU	1.2500 (31.750)	1.5000 (38.100)	2.0000 (50.800)	4.000 (101.60)	3.625 (92.08)	2.813 (71.44)
SWJ 24GUU	1.5000 (38.100)	1.7500 (44.450)	2.3750 (60.325)	4.750 (120.65)	4.000 (101.60)	3.250 (82.55)
SWJ 32GUU	2.0000 (50.800)	2.1250 (53.975)	3.0000 (76.200)	6.000 (152.40)	5.000 (127.00)	4.063 (103.19)

T	G	M	mounting dimensions			dynamic C	static Co	mass
			B ±.01/(±0.2) inch/(mm)	C ±.01/(±0.2) inch/(mm)	S inch/(mm)			
.188 (4.76)	.750 (19.05)	1.000 (25.40)	1.312 (33.33)	.750 (19.05)	.156 (4.0)	206	265	45
.188 (4.76)	.875 (22.23)	1.125 (28.58)	1.437 (36.50)	.875 (22.23)	.156 (4.0)	225	315	62
.250 (6.35)	1.125 (28.58)	1.375 (34.93)	1.688 (42.88)	1.000 (25.40)	.156 (4.0)	510	784	130
.281 (7.14)	1.437 (36.50)	1.750 (44.45)	2.125 (53.98)	1.125 (28.58)	.188 (4.8)	774	1,180	240
.313 (7.94)	1.563 (39.69)	1.875 (47.63)	2.375 (60.33)	1.250 (31.75)	.188 (4.8)	862	1,370	290
.375 (9.53)	1.938 (49.21)	2.375 (60.33)	2.875 (73.03)	1.750 (44.45)	.219 (5.6)	980	1,570	615
.438 (11.11)	2.500 (63.50)	3.000 (76.20)	3.500 (88.90)	2.000 (50.80)	.219 (5.6)	1,570	2,740	1,300
.500 (12.70)	2.875 (73.03)	3.500 (88.90)	4.125 (104.78)	2.500 (50.80)	.281 (7.2)	2,160	4,020	1,900
.625 (15.88)	3.625 (92.08)	4.500 (114.30)	5.250 (133.35)	3.250 (82.55)	.406 (10.5)	3,820	7,940	3,600

SI UNIT 1N≒0.225lbf
 1kg≒2.205lbs

SWD TYPE (Inch Standard)

– Open Block Type –



part number structure

example **SWD 20 G R UU**

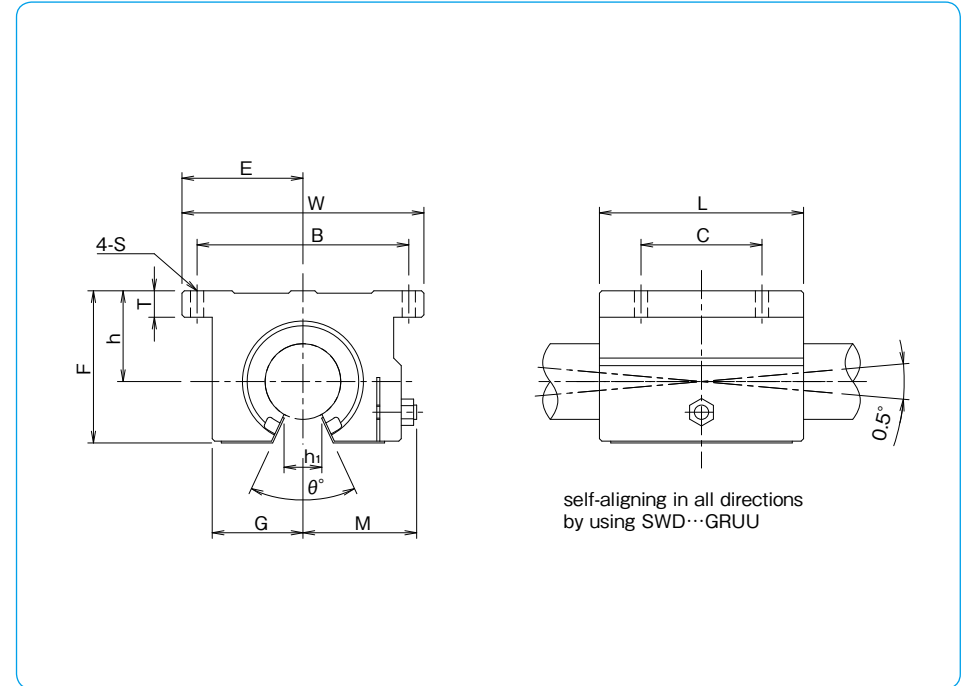
specification
SWD: standard
SWSD: anti-corrosion

size

retainer material
blank: standard/steel
 anti-corrosion/stainless steel
G: resin

seal
blank: without seal
UU: seals on both sides

self-aligning
 (SWD-resin retainer only)



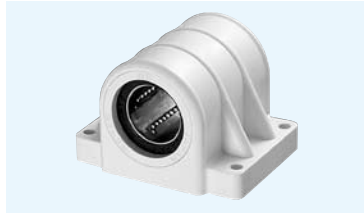
part number	major dimensions							
	inner contact diameter inch/(mm)	h ±.001/(±0.02) inch/(mm)	E ±.001/(±0.02) inch/(mm)	W inch/(mm)	L inch/(mm)	F inch/(mm)	outer dimensions	
							T inch/(mm)	G inch/(mm)
SWD 8GUU	.5000 (12.700)	.6870 (17.450)	1.0000 (25.400)	2.000 (50.80)	1.500 (38.10)	1.100 (27.94)	.250 (6.35)	.688 (17.5)
SWD 10GUU	.6250 (15.875)	.8750 (22.225)	1.2500 (31.750)	2.500 (63.50)	1.750 (44.45)	1.375 (34.93)	.281 (7.14)	.875 (22.23)
SWD 12GUU	.7500 (19.050)	.9370 (23.800)	1.3750 (34.950)	2.750 (69.85)	1.875 (47.63)	1.535 (39.00)	.315 (8.00)	.937 (23.80)
SWD 16GUU	1.0000 (25.400)	1.1870 (30.150)	1.6250 (41.300)	3.250 (82.55)	2.625 (66.68)	1.975 (50.17)	.375 (9.53)	1.188 (30.18)
SWD 20GUU	1.2500 (31.750)	1.5000 (38.100)	2.0000 (50.800)	4.000 (101.60)	3.375 (85.73)	2.485 (63.12)	.437 (11.10)	1.500 (38.10)
SWD 24GUU	1.5000 (38.100)	1.7500 (44.450)	2.3750 (60.325)	4.750 (120.65)	3.750 (95.25)	2.910 (73.90)	.500 (12.70)	1.750 (44.45)
SWD 32GUU	2.0000 (50.800)	2.1250 (53.975)	3.0000 (76.200)	6.000 (152.4)	4.750 (120.65)	3.660 (92.90)	.625 (15.88)	2.250 (57.15)

M	h ₁	θ	mounting dimensions			basic load rating		mass
			B ±.01/(±0.2) inch/(mm)	C ±.01/(±0.2) inch/(mm)	S inch/(mm)	dynamic C	static Co	
inch/(mm)	inch/(mm)					N	N	g
.98 (24.89)	.3425 (8.70)	80°	1.688 (42.88)	1.000 (25.40)	.156 (4.0)	510	784	98
1.15 (29.21)	.375 (9.53)	80°	2.125 (53.98)	1.125 (28.58)	.188 (4.8)	774	1,180	185
1.23 (31.24)	.4375 (11.11)	60°	2.375 (60.33)	1.250 (31.75)	.188 (4.8)	862	1,370	235
1.48 (37.59)	.5625 (14.29)	50°	2.875 (73.03)	1.750 (44.45)	.218 (5.6)	980	1,570	530
1.88 (47.75)	.625 (15.88)	50°	3.500 (88.90)	2.000 (50.80)	.218 (5.6)	1,570	2,740	1,080
2.12 (53.85)	.750 (19.05)	50°	4.125 (104.78)	2.500 (63.50)	.281 (7.4)	2,160	4,020	1,620
2.70 (68.58)	1.00 (25.40)	50°	5.250 (133.35)	3.250 (82.55)	.406 (10.5)	3,820	7,940	3,100

SI UNIT 1N≒0.225lbf
 1kg≒2.205lbs

RBW TYPE

(Inch Standard / Anti-Corrosion Type)
 - Resin Block Type -

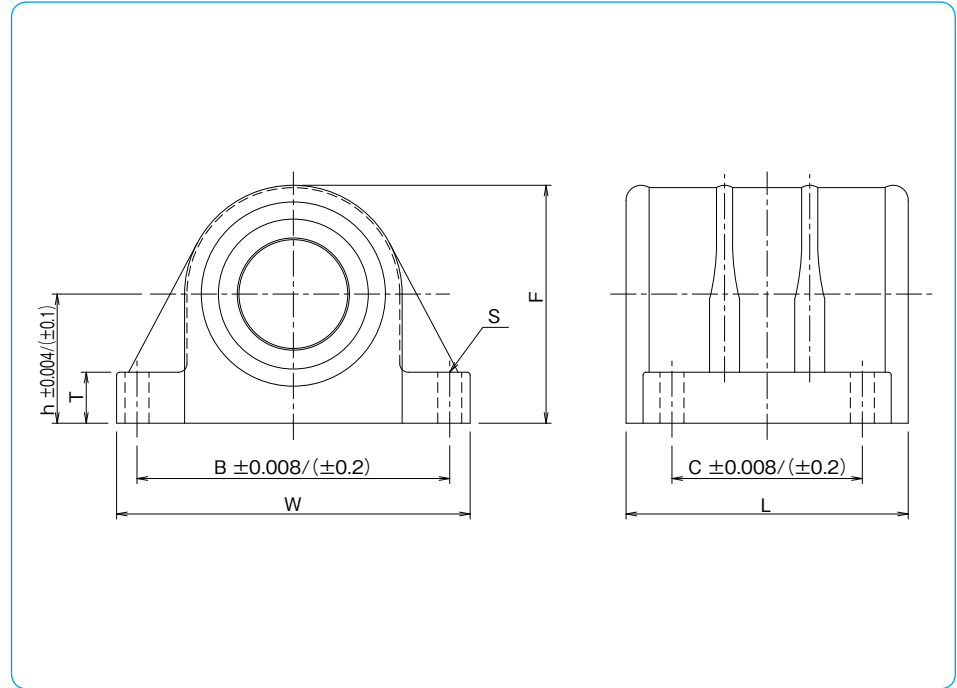


part number structure

example **RBW 16**

RBW type

size



part number	inner contact diameter		major dimensions			
	inch/(mm)	tolerance inch/(μ m)	h inch/(mm)	outer dimensions		
				W inch/(mm)	L inch/(mm)	F inch/(mm)
RBW 8	.5000 (12.700)	0	.6870 (17.450)	2.000 (50.80)	1.5937 (40.481)	1.2500 (31.750)
RBW 10	.6250 (15.875)	-0.00040 (-9)	.8750 (22.225)	2.500 (63.50)	1.8437 (46.831)	1.6250 (41.275)
RBW 12	.7500 (19.050)	0	.9370 (23.800)	2.750 (69.85)	1.9687 (50.006)	1.7500 (44.450)
RBW 16	1.0000 (25.400)	-0.00040 (-10)	1.1870 (30.150)	3.250 (82.55)	2.5937 (65.881)	2.1870 (55.550)

※RBW type has side-seals as standard.

mounting dimensions				basic load rating		mass g
T inch/(mm)	B inch/(mm)	C inch/(mm)	S inch/(mm)	dynamic C N	static Co N	
.3437 (8.731)	1.688 (42.875)	1.000 (25.400)	.157 (4.0)	510	784	51
.3750 (9.525)	2.125 (53.975)	1.125 (28.575)	.189 (4.8)	774	1180	99
.4063 (10.319)	2.375 (60.325)	1.250 (31.750)	.189 (4.8)	862	1370	129
.4687 (11.906)	2.875 (73.025)	1.750 (44.450)	.220 (5.6)	980	1570	242

SI UNIT 1N \approx 0.225lbf
 1kg \approx 2.205lbs

TOPBALL®

TOPBALL

TOPBALL®

The NB TOPBALL is a linear motion mechanism utilizing the rotational motion of ball elements. NB's self-aligning TOPBALL can be designed into many different applications such as factory automated equipment, machine tools, industrial machines, electrical equipment, optical and measuring instruments.

STRUCTURE AND ADVANTAGES

Higher Load Capacity and Longer Travel life

NB's uniquely designed load plate provides circular arch contact to the ball element resulting in a greater dispersion of the load, enabling TOPBALL to provide up to three times the load capacity therefore 27 times the travel life of conventional slide bushings.

Self Aligning Capability

Load plates are thinner at the ends to provide a pivot point at the center of the plate. The center acts as a fulcrum to compensate for any slight misalignment between the shaft and the housing bore that might be caused by inaccurate machining, mounting errors or shaft deflection.

Floating Seal

NB's unique floating seal design allows for self-alignment while maintaining equal and constant contact to the shaft. Seals do not add to the overall length of the bushing allowing for more compact designs.

High Speed

TOPBALL meets high speed requirements. The maximum speed is 180m/min.

Clearance Adjustable

TOPBALL load plates are designed to "float" in the outer sleeve which allows for clearance between the ball elements and shaft to best suit application requirements.

TOPBALL Unit

This is a TOPBALL with a housing. The housing has the most appropriate bore tolerance that optimizes TOPBALL's performance.

Figure D-1 Circular Arch Design and Ground Surface Raceway

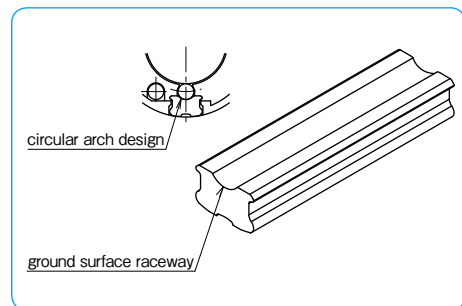
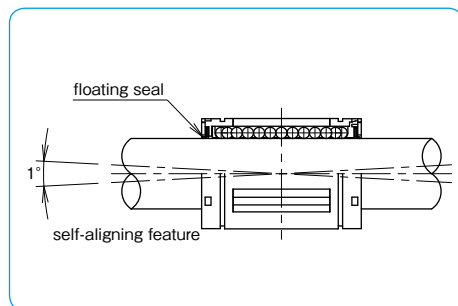















Figure D-2 Floating Seal and Self-aligning Feature



TYPES

Table D-1 Types

		Metric Series		Inch Series	
TOPBALL	closed type	TK  P.D-6	TW  P.D-8		
	open type	TK-OP  P.D-6	TW-OP  P.D-8		
TOPBALL Unit	closed type	TKA  P.D-10	TKA-W  P.D-11	TWA  P.D-16	TWA-W  P.D-17
	adjustable type	/		TWJ  P.D-18	TWJ-W  P.D-19
	open type	TKE  P.D-12	TKE-W  P.D-13	/	
	adjustable-open type	TKD  P.D-14	TKD-W  P.D-15	TWD  P.D-20	TWD-W  P.D-21

LIFE CALCULATION

Since ball elements are used as the rolling element in the NB TOPBALL, the following equation is used to calculate the rated life.

$$L = \left(\frac{f_H \cdot f_T \cdot f_C \cdot C}{f_w \cdot P} \right)^3 \cdot 50$$

L: rated life (km) f_H: hardness coefficient
 f_T: temperature coefficient f_C: contact coefficient
 f_w: applied load coefficient (Table D-2)
 C: basic dynamic load rating (N) P: applied load (N)
 *Refer to page Eng-5 for the coefficients.

Applied Load Coefficient (f_w)

When calculating the applied load, the weight of the mass, inertial force, moment resulting from the motion, and the variation with time should be accurately estimated. However, it is very difficult to accurately estimate the applied load due to the existence of numerous variables, including the start/stop conditions of the reciprocating motion and of the shock/vibration. Estimation is simplified by using the values given in Table D-2.

If the stroke and number of cycles per unit time are constant, the life time is calculated using the following equation.

$$L_h = \frac{L \cdot 10^3}{2 \cdot l_s \cdot n \cdot 60}$$

L_h: life time (hr) l_s: stroke length (m)
 L: rated life (km) n: number of cycles per minute (cpm)

Table D-2 Applied Load Coefficient

operating conditions	applied load coefficient f _w
no shock/vibration 15 m/min or less	1.0~1.5
low shock/vibration 60 m/min or less	1.5~2.0
high shock/vibration 90 m/min or less	2.0~3.5
high shock/vibration 180 m/min or less	3.5 or more

Relation Between Ball Circuits and Load Rating

The load rating of a slide bush varies according to the loaded position on the circumference. The value in the dimension table indicates the lowest load rating with the load placed on top of one ball circuit.
 If the slide bush is used with two ball circuits loaded uniformly, the value will be greater.
 Table D-3 shows the load ratio for the number of ball circuits in each case.

Table D-3 Optional Load Positions

number of rows	4	5	6
C (load rating specified on the table)			
C _{max} (maximum load rating)			
load ratio C _{max} /C	1.414	1.463	1.280

MOUNTING

Clearance and Fit

An appropriate clearance between TOPBALL and shaft is required in TOPBALL operation. Inadequate clearance may cause early failure and/or poor, rough movement. Proper clearance is determined by shaft diameter and housing bore. Table D-4 and D-5 show recommended tolerances of the shaft and housing bore.

Shaft and Housing

To optimize NB TOPBALL performance, high precision shafts and housings are required.

- Shaft: Dimensional tolerance, surface roughness and hardness greatly affect the traveling performance of the TOPBALL.
 The shaft must be manufactured to the following tolerances.
 - Surface roughness of 0.4Ra or less.
 - Hardness of 60 HRC or more (refer to page Eng-5).
 - The proper tolerance of the shaft diameter is recommended on Table D-4 and D-5.

The NB Shaft is an ideal component manufactured to meet these specifications. Please see pages F-1 ~ for details.

- Housing: There are a wide range of designs and manufacturing techniques for housings. NB TOPBALL Units are available as standard products. When housings are prepared separately please refer to Table D-4 and D-5 for a proper fit.

Table D-4: Recommended Tolerance for Shaft Dia. and Housing Bore

part number	shaft dia.		housing bore	
	dr mm	tol. (h6) μm	D mm	tol. (H7) μm
TK 8	8	0	16	+18/0
TK10	10	-9	19	+21 0
TK12	12	0	22	
TK16	16	-11	26	+25 0
TK20	20	0	32	
TK25	25	-13	40	0
TK30	30		47	
TK40	40	0	62	+30
TK50	50	-16	75	0

Table D-5: Recommended Tolerance for Shaft Dia. and Housing Bore

part number	shaft dia.		housing bore	
	dr inch	tol. (g6) inch	D inch	tol. (H7) inch
TW 3	.1875	-.0002	.3750	+0.0005/0
TW 4	.2500	-.0006	.5000	+0.0007
TW 6	.3750		.6250	0
TW 8	.5000	-.0002	.8750	+0.0008
TW10	.6250	-.0007	1.1250	0
TW12	.7500	-.0003	1.2500	+0.0010
TW16	1.0000	-.0008	1.5625	0
TW20	1.2500	-.0004	2.0000	+0.0012 0
TW24	1.5000	-.0010	2.3750	
TW32	2.0000	-.0004/-0.0012	3.0000	0

Mounting

TK type TOPBALL is designed to be press fitted into the housing bore. When inserting bushing, however, don't apply excess force nor shock load which may cause permanent damage. For TW type TOPBALL, examples of mouting are shown in Figures D-3~6 and D-8.

Examples of Mounting

Figures D-3 to D-8 illustrate mounting methods as example.

Figure D-3 Use of Holding Plates

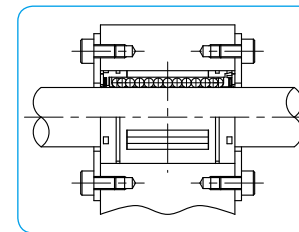


Figure D-4 Clearance Adjustable Type

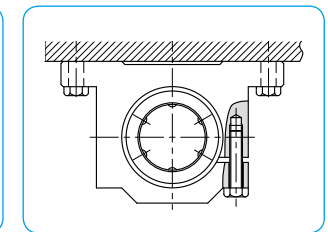


Figure D-5 Use of Retaining Rings

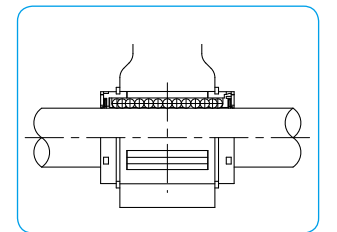


Figure D-6 Open Type

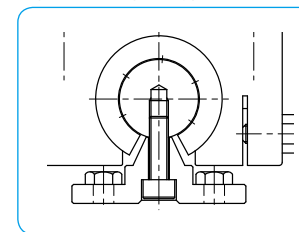


Figure D-7 Press Fit (TK type)

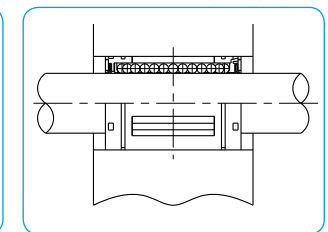
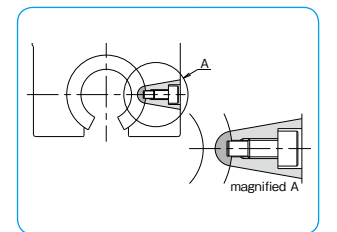


Figure D-8 Pin Fixing



* SA type support rails are not compatible with the TOPBALL units.

* Please fix by the pin for open type housing .

SPECIFICATION

Anti-Corrosive Type

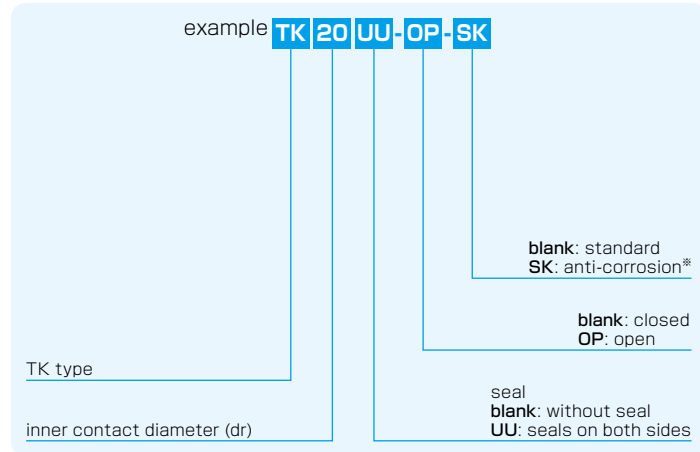
A special TOPBALL is also available for anti-corrosive requirements. Please specify with a suffix "-SK" for either TOPBALL or TOPBALL Unit part number. The load plates are electroless nickel plated and balls are made of stainless steel.

TK TYPE

– TOPBALL Metric Type –



part number structure

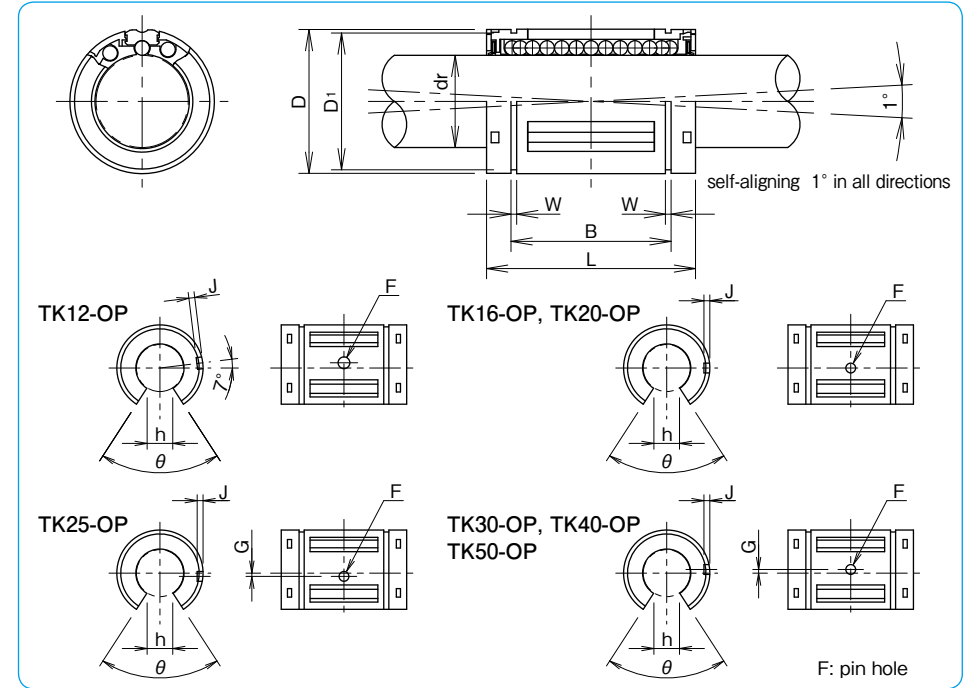


*For anti-corrosion the load plates are electroless nickel plated with stainless steel balls.

part number						major dimensions				
closed type			open type			dr*	D		L	
number of ball circuits	mass g		number of ball circuits	mass g		tolerance μm	mm	mm	tolerance mm	
TK 8	4	7.3	—	—	—	8	16	25	±0.2	
TK10	5	14	—	—	—	+ 8	19	29		
TK12	5	21	TK12-OP	4	17	12	22	32		
TK16	5	43	TK16-OP	4	35	16	+ 9	26		36
TK20	6	58	TK20-OP	5	48	20	- 1	32		45
TK25	6	123	TK25-OP	5	103	25	+11	40		58
TK30	6	216	TK30-OP	5	177	30	- 1	47		68
TK40	6	333	TK40-OP	5	275	40	+13	62		80
TK50	6	618	TK50-OP	5	520	50	-2	75		100

* Based on nominal housing bore

** One-sided seal is also available. Please contact NB for details.



mm	B	W	D ₁	h	θ	open type			basic load rating		shaft diameter mm	
	tolerance mm					F ^{H11} mm	G mm	J mm	dynamic C N	static Co N		
16.5	0	1.1	15.2	—	—	3	—	—	423	534	8	
22.0		1.3	18	—	—		—	—	750	935	10	
22.9		-0.2	1.3	21	6.5		66°	—	0.7	1,020	1,290	12
24.9			1.3	24.9	9		68°	—	1.0	1,250	1,550	16
31.5	0	1.6	30.3	9	55°		5	—	1.0	2,090	2,630	20
44.1		1.85	37.5	11.5	57°			1.5	1.5	3,780	4,720	25
52.1		1.85	44.5	14	57°			2	1.7	5,470	6,810	30
60.6		-0.3	2.15	59	19.5			56°	1.5	2.4	6,590	8,230
77.6	2.65		72	22.5	54°			2.5	2.7	10,800	13,500	50

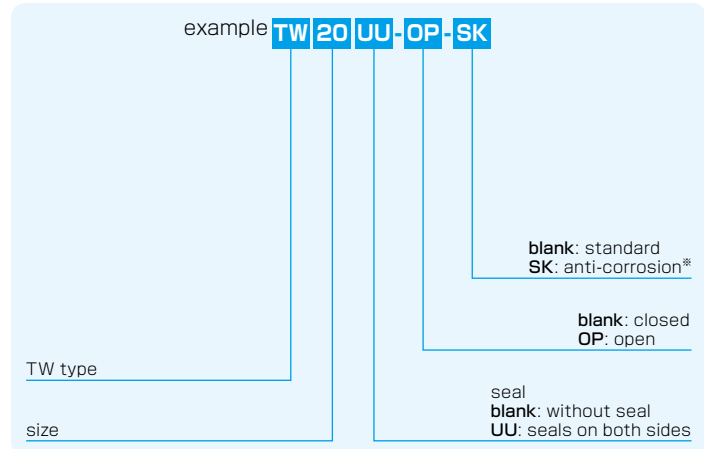
1N≒0.102kgf

TW TYPE

- TOPBALL Inch Type -



part number structure



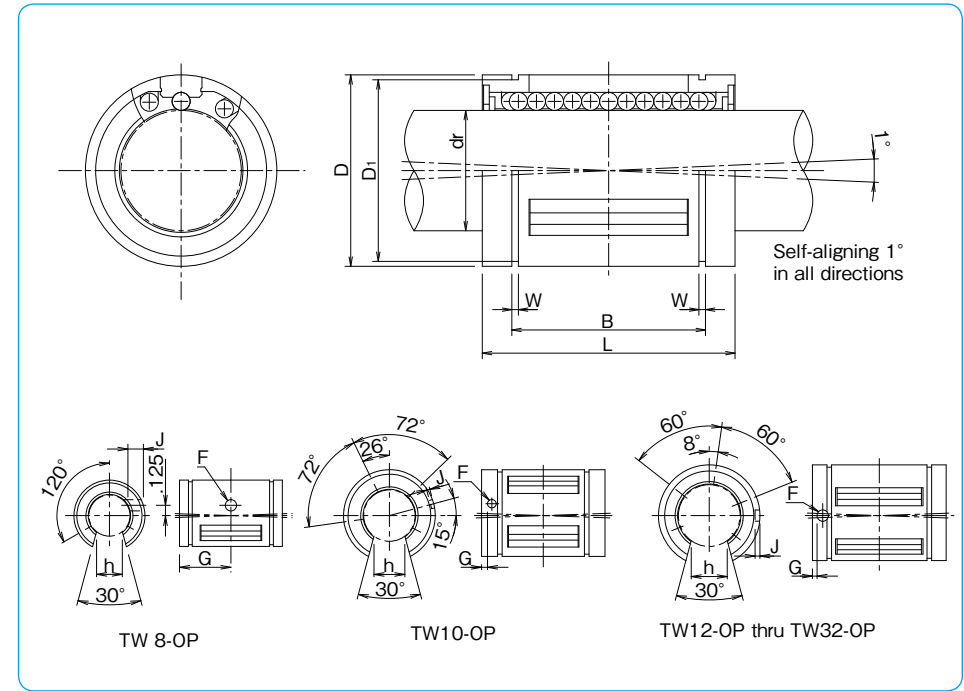
*For anti-corrosion the load plates are electroless nickel plated with stainless steel balls.

part number						major dimensions					
closed type			open type			dr*		D			L
number of ball circuits	mass lbs		number of ball circuits	mass lbs		inch	tolerance inch	inch	inch	inch	tolerance inch
TW 3	4	.004	-	-	-	.1875	0 -0005	.3750	.562	±.008	
TW 4	4	.009	-	-	-	.2500		.5000	.750	0	
TW 6	4	.014	-	-	-	.3750		.6250	.875	-.015	
TW 8	4	.043	TW 8-OP	3	.033	.5000		.8750	1.250	0	
TW 10	5	.103	TW 10-OP	4	.083	.6250		1.1250	1.500		
TW 12	6	.123	TW 12-OP	5	.102	.7500		1.2500	1.625		-.020
TW 16	6	.265	TW 16-OP	5	.220	1.0000		1.5625	2.250	0 0/--.025	
TW 20	6	.485	TW 20-OP	5	.419	1.2500		2.0000	2.625		
TW 24	6	.750	TW 24-OP	5	.639	1.5000		2.3750	3.000		0/--.030
TW 32	6	1.411	TW 32-OP	5	1.168	2.0000		0/--.0008	3.0000	4.000	0/--.040

* Based on nominal housing bore

** Seals are not available on TW3.

*** One-sided seal is also available. Please contact NB for details.



B	W	D ₁	h	open type			basic load rating		nominal shaft diameter	
inch	inch	inch	inch	F	G	J	dynamic C	static Co	inch	
tolerance inch	inch	inch	inch	inch	inch	inch	lbf	lbf	inch	
-	-	-	-	-	-	-	35	47	3/16	
.515	0	.0390	.4687	-	-	-	60	80	1/4	
.703	-.015	.0390	.5880	-	-	-	95	120	3/8	
1.032	0 -020	.0459	.8209	.313	.136	.6250	through	230	290	1/2
1.112		.0559	1.0590	.375	.105	.1250	.0390	400	500	5/8
1.272		.0559	1.1760	.438	.136	.1250	.0590	470	590	3/4
1.886		.0679	1.4687	.563	.136	.1250	.0470	850	1,060	1
2.011		0/--.025	.0679	1.8859	.625	.201	.1875	.0900	1,230	1,530
2.422	0/--.030	.0859	2.2389	.750	.201	.1875	.0900	1,480	1,850	1-1/2
3.206	0/--.040	.1029	2.8379	1.000	.265	.3125	through	2,430	3,040	2

1inch=25.4mm

1lbs≐0.454kg

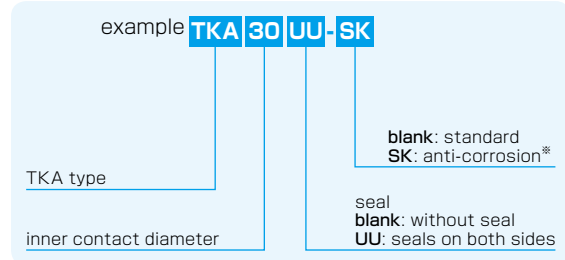
1lbf≐4.448N

TKA TYPE (Euro Standard)

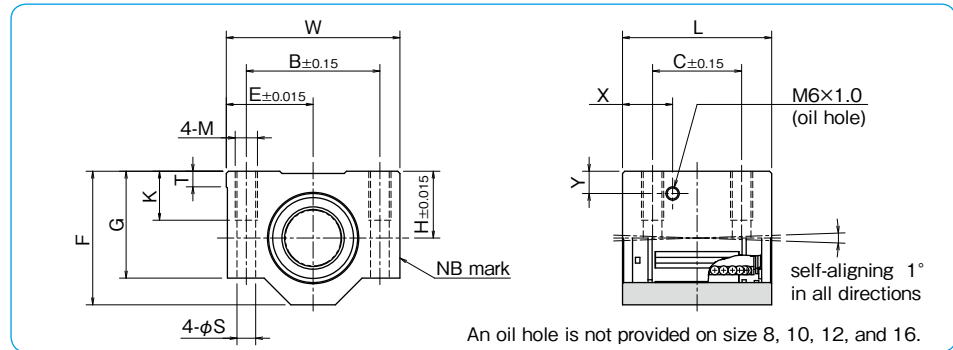
– Block Type –



part number structure



*For anti-corrosion the load plates are electroless nickel plated with stainless steel balls.



part number	inner contact diameter	major dimensions										mounting dimensions					basic load rating		mass
		H	E	W	L	F	G	T	X	Y	B	C	M	K	S	C	Co		
	mm	mm	mm	mm	mm	mm	mm	mm	mm	mm	mm	mm	mm	mm	N	N	g		
TKA 8UU	8	15	17.5	35	32	28	22	5	—	—	25	20	M4	9	3.3	423	534	59	
TKA 10UU	10	16	20	40	36	31.5	25	5	—	—	29	20	M5	11	4.3	750	935	90	
TKA 12UU	12	18	21.5	43	39	35	28	5	—	—	32	23	M5	11	4.3	1,020	1,290	116	
TKA 16UU	16	22	26.5	53	43	42	35	5	—	—	40	26	M6	13	5.3	1,250	1,550	205	
TKA 20UU	20	25	30	60	54	50	42	5	19	9	45	32	M8	18	6.6	2,090	2,630	326	
TKA 25UU	25	30	39	78	67	60	48	7	22.5	10	60	40	M10	22	8.4	3,780	4,720	624	
TKA 30UU	30	35	43.5	87	79	70	58	8	26	11.5	68	45	M10	22	8.4	5,470	6,810	980	
TKA 40UU	40	45	54	108	91	90	72	10	26.5	14	86	58	M12	26	10.5	6,590	8,230	1,670	

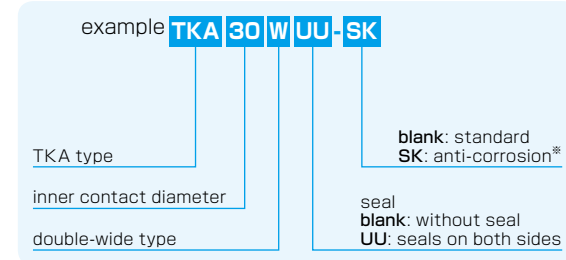
1N≒0.102kgf

TKA-W TYPE (Euro Standard)

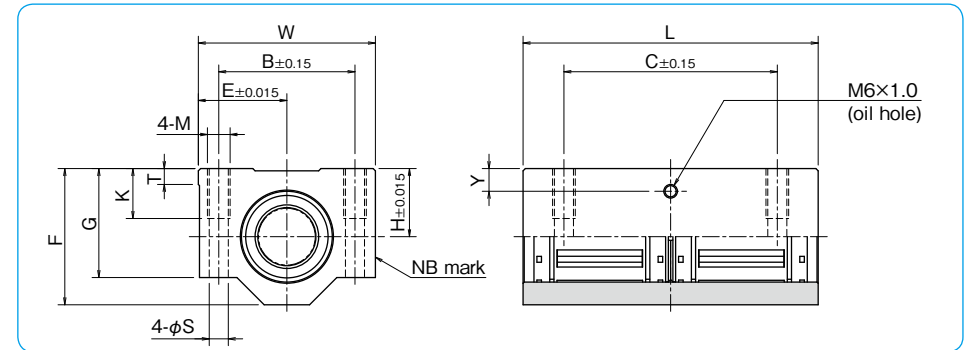
– Double-Wide Block Type –



part number structure



*For anti-corrosion the load plates are electroless nickel plated with stainless steel balls.



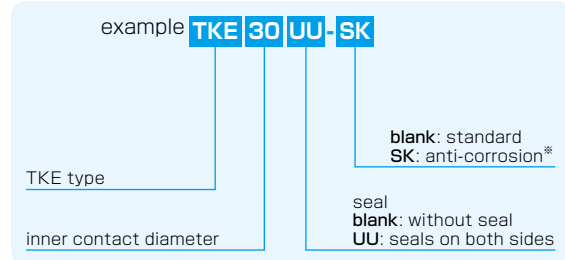
part number	inner contact diameter	major dimensions										mounting dimensions					basic load rating		mass	
		H	E	W	L	F	G	T	Y	B	C	M	K	S	C	Co				
	mm	mm	mm	mm	mm	mm	mm	mm	mm	mm	mm	mm	mm	mm	mm	mm	mm	N	N	g
TKA 8WUU	8	15	17.5	35	62	28	22	5	6.5	25	50	M4	9	3.3	685	1,068	119			
TKA 10WUU	10	16	20	40	70	31.5	25	5	7	29	52	M5	11	4.3	1,215	1,870	175			
TKA 12WUU	12	18	21.5	43	76	35	28	5	7.5	32	56	M5	11	4.3	1,652	2,580	227			
TKA 16WUU	16	22	26.5	53	84	42	35	5	9.5	40	64	M6	13	5.3	2,025	3,100	390			
TKA 20WUU	20	25	30	60	104	50	42	5	9	45	76	M8	18	6.6	3,390	5,260	630			
TKA 25WUU	25	30	39	78	130	60	48	7	10	60	94	M10	22	8.4	6,120	9,440	1,210			
TKA 30WUU	30	35	43.5	87	152	70	58	8	11.5	68	106	M10	22	8.4	8,860	13,620	1,880			
TKA 40WUU	40	45	54	108	176	90	72	10	14	86	124	M12	26	10.5	10,680	16,460	3,280			

1N≒0.102kgf

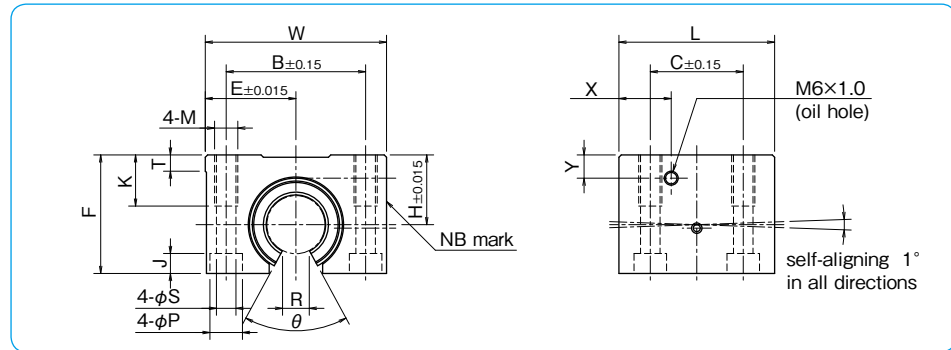
TKE TYPE (Euro Standard)

– Open Block Type –

part number structure



*For anti-corrosion the load plates are electroless nickel plated with stainless steel balls.



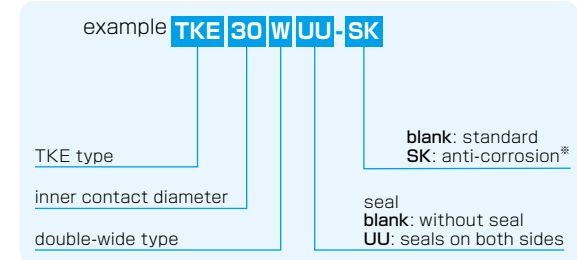
part number	inner contact diameter	major dimensions										mounting dimensions							basic load rating		mass
		H	E	W	L	F	T	R	θ	X	Y	B	C	M	K	S	P	J	C	Co	
TKE12UU	12	18	21.5	43	39	28	5	6.5	66°	14.5	7.5	32	23	M5	11	4.3	8	4.5	1,020	1,290	99
TKE16UU	16	22	26.5	53	43	35	5	9	68°	15.5	9.5	40	26	M6	13	5.3	9.5	5.5	1,250	1,550	175
TKE20UU	20	25	30	60	54	42	5	9	55°	19	9	45	32	M8	18	6.6	11	6.5	2,090	2,630	275
TKE25UU	25	30	39	78	67	51	7	11.5	57°	22.5	10	60	40	M10	22	8.4	14	8.6	3,780	4,720	558
TKE30UU	30	35	43.5	87	79	60	8	14	57°	26	11.5	68	45	M10	22	8.4	14	8.6	5,470	6,810	860
TKE40UU	40	45	54	108	91	77	10	19.5	56°	26.5	14	86	58	M12	26	10.5	17.5	10.8	6,590	8,230	1,490

1N≐0.102kgf

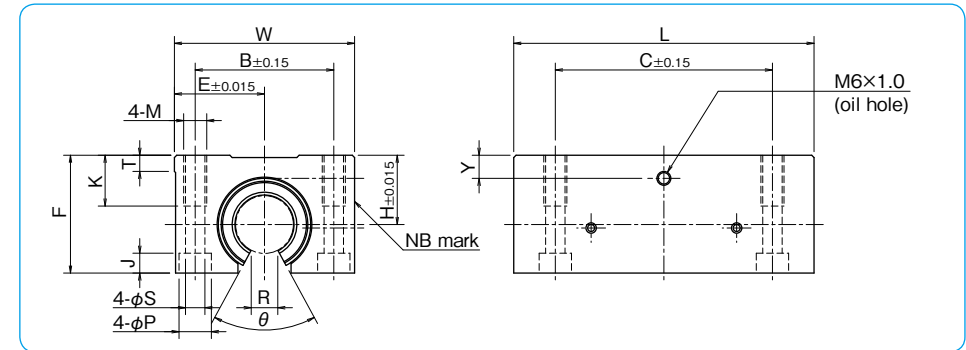
TKE-W TYPE (Euro Standard)

– Double-Wide Open Block Type –

part number structure



*For anti-corrosion the load plates are electroless nickel plated with stainless steel balls.



part number	inner contact diameter	major dimensions										mounting dimensions							basic load rating		mass
		H	E	W	L	F	T	R	θ	Y	B	C	M	K	S	P	J	C	Co		
TKE12WUU	12	18	21.5	43	76	28	5	6.5	66°	7.5	32	56	M5	11	4.3	8	4.5	1,652	2,580	190	
TKE16WUU	16	22	26.5	53	84	35	5	9	68°	9.5	40	64	M6	13	5.3	9.5	5.5	2,025	3,100	312	
TKE20WUU	20	25	30	60	104	42	5	9	55°	9	45	76	M8	18	6.6	11	6.5	3,390	5,260	505	
TKE25WUU	25	30	39	78	130	51	7	11.5	57°	10	60	94	M10	22	8.4	14	8.6	6,120	9,440	1,050	
TKE30WUU	30	35	43.5	87	152	60	8	14	57°	11.5	68	106	M10	22	8.4	14	8.6	8,860	13,620	1,630	
TKE40WUU	40	45	54	108	176	77	10	19.5	56°	14	86	124	M12	26	10.5	17.5	10.8	10,680	16,460	2,880	

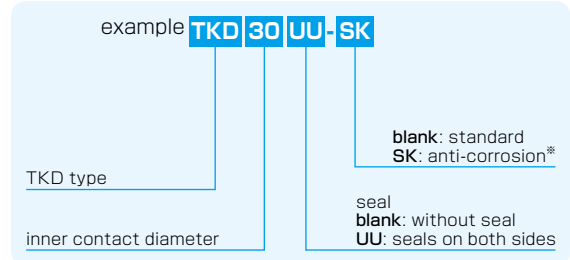
1N≐0.102kgf

TKD TYPE (Euro Standard)

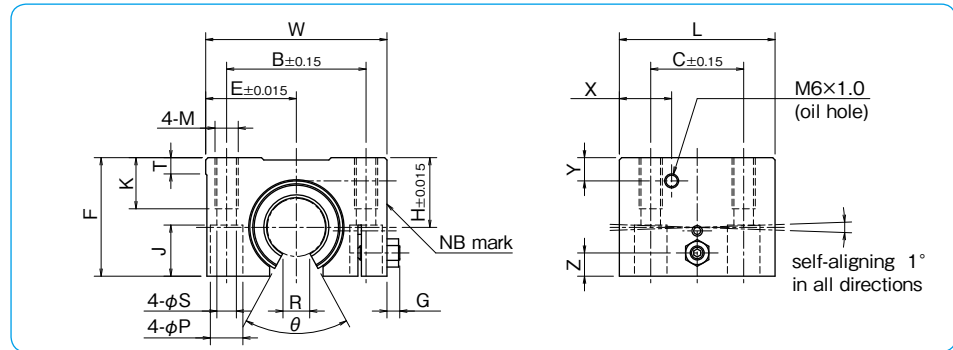
– Clearance Adjustable Open Block Type –



part number structure



*For anti-corrosion the load plates are electroless nickel plated with stainless steel balls.



part number	inner contact diameter	major dimensions											mounting dimensions											basic load rating		mass
		H	E	W	L	F	G	Z	T	R	θ	X	Y	B	C	M	K	S	P	J	C	Co	N	Co	N	
TKD12UU	12	18	21.5	43	39	28	3.2	5	5	6.5	66°	14.5	7.5	32	23	M5	11	4.3	8	11.5	1,020	1,290	99			
TKD16UU	16	22	26.5	53	43	35	3.2	6	5	9	68°	15.5	9.5	40	26	M6	13	5.3	9.5	14	1,250	1,550	175			
TKD20UU	20	25	30	60	54	42	4	8	5	9	55°	19	9	45	32	M8	18	6.6	11	18	2,090	2,630	275			
TKD25UU	25	30	39	78	67	51	5.5	10	7	11.5	57°	22.5	10	60	40	M10	22	8.4	14	22	3,780	4,720	558			
TKD30UU	30	35	43.5	87	79	60	5.5	12	8	14	57°	26	11.5	68	45	M10	22	8.4	14	26	5,470	6,810	860			
TKD40UU	40	45	54	108	91	77	5	15	10	19.5	56°	26.5	14	86	58	M12	26	10.5	17.5	33	6,590	8,230	1,490			

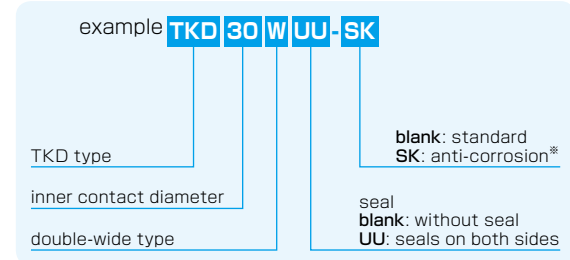
1N≐0.102kgf

TKD-W TYPE (Euro Standard)

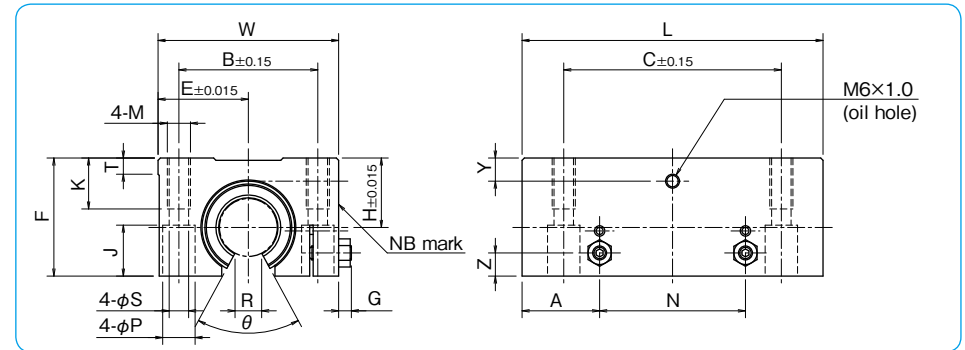
– Clearance Adjustable Double-Wide Open Block Type –



part number structure



*For anti-corrosion the load plates are electroless nickel plated with stainless steel balls.



part number	inner contact diameter	major dimensions											mounting dimensions											basic load rating		mass
		H	E	W	L	F	G	Z	A	N	T	R	θ	Y	B	C	M	K	S	P	J	C	Co	N	Co	
TKD12WUU	12	18	21.5	43	76	28	3.2	5	19.5	37	5	6.5	66°	7.5	32	56	M5	11	4.3	8	11.5	1,652	2,580	190		
TKD16WUU	16	22	26.5	53	84	35	3.2	6	21.5	41	5	9	68°	9.5	40	64	M6	13	5.3	9.5	14	2,025	3,100	312		
TKD20WUU	20	25	30	60	104	42	4	8	27	50	5	9	55°	9	45	76	M8	18	6.6	11	18	3,390	5,260	505		
TKD25WUU	25	30	39	78	130	51	5.5	10	33.5	63	7	11.5	57°	10	60	94	M10	22	8.4	14	22	6,120	9,440	1,050		
TKD30WUU	30	35	43.5	87	152	60	5.5	12	39.5	73	8	14	57°	11.5	68	106	M10	22	8.4	14	26	8,860	13,620	1,630		
TKD40WUU	40	45	54	108	176	77	5	15	45.5	85	10	19.5	56°	14	86	124	M12	26	10.5	17.5	33	10,680	16,460	2,880		

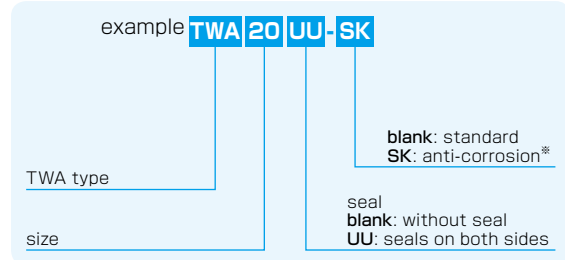
1N≐0.102kgf

TWA TYPE (Inch Standard)

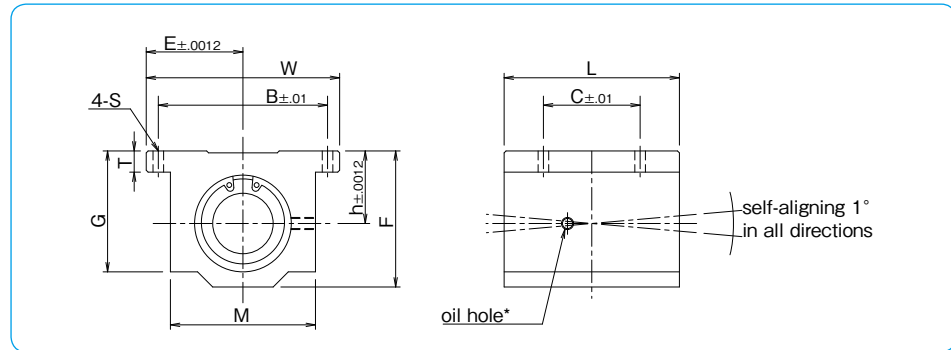
– Block Type –



part number structure



*For anti-corrosion the load plates are electroless nickel plated with stainless steel balls.



part number	nom. shaft dia.	major dimensions								mounting dimensions			basic load rating		mass
		h	E	W	L	F	T	G	M	B	C	S	dynamic C	static Co	
	inch	inch	inch	inch	inch	inch	inch	inch	inch	inch	inch	inch	lbf	lbf	lbs
TWA 4UU	1/4	.4370	.8125	1.625	1.188	.813	.188	.750	1.000	1.312	.750	.156	60	80	.090
TWA 6UU	3/8	.5000	.8750	1.750	1.313	.938	.188	.875	1.125	1.437	.875	.156	95	120	.120
TWA 8UU	1/2	.6870	1.0000	2.000	1.688	1.250	.250	1.125	1.375	1.688	1.000	.156	230	290	.248
TWA 10UU	5/8	.8750	1.2500	2.500	1.938	1.625	.281	1.437	1.750	2.125	1.125	.188	400	500	.465
TWA 12UU	3/4	.9370	1.3750	2.750	2.063	1.750	.313	1.563	1.875	2.375	1.250	.188	470	590	.553
TWA 16UU	1	1.1870	1.6250	3.250	2.813	2.188	.375	1.938	2.375	2.875	1.750	.219	850	1060	1.200
TWA 20UU	1-1/4	1.5000	2.0000	4.000	3.625	2.813	.438	2.500	3.000	3.500	2.000	.219	1230	1530	2.380
TWA 24UU	1-1/2	1.7500	2.3750	4.750	4.000	3.250	.500	2.875	3.500	4.125	2.500	.281	1480	1850	3.460
TWA 32UU	2	2.1250	3.0000	6.000	5.000	4.063	.625	3.625	4.500	5.250	3.250	.406	2430	3040	6.830

* Provided with push-in oil fitting for 1/4" to 1/2" sizes. Sizes from 5/8" to 2" offer a 1/4-28 tapped hole with a plug for adding a fitting if desired.

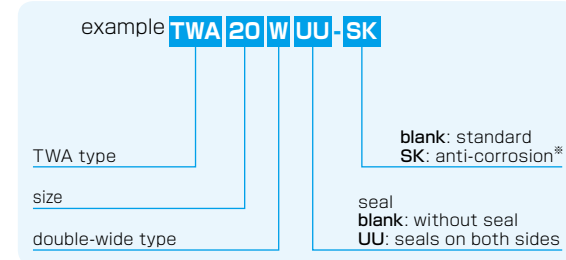
1inch=25.4mm
1lbs≐0.454kg
1lbf≐4.448N

TWA-W TYPE (Inch Standard)

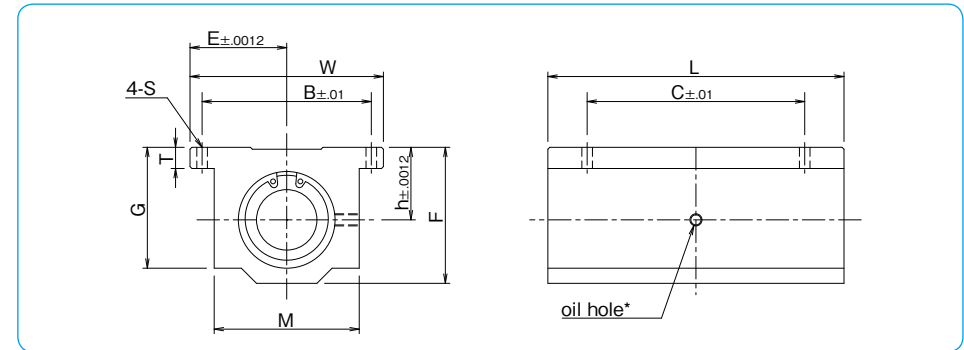
– Double-Wide Block Type –



part number structure



*For anti-corrosion the load plates are electroless nickel plated with stainless steel balls.



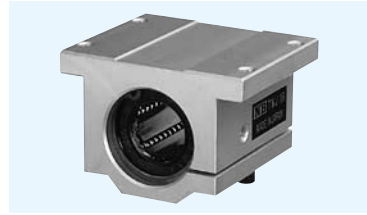
part number	nom. shaft dia.	major dimensions								mounting dimensions			basic load rating		mass
		h	E	W	L	F	T	G	M	B	C	S	dynamic C	static Co	
	inch	inch	inch	inch	inch	inch	inch	inch	inch	inch	inch	inch	lbf	lbf	lbs
TWA 4WUU	1/4	.4370	.8125	1.625	2.500	.813	.188	.750	1.000	1.312	2.000	.156	96	160	.190
TWA 6WUU	3/8	.5000	.8750	1.750	2.750	.938	.188	.875	1.125	1.437	2.250	.156	150	240	.250
TWA 8WUU	1/2	.6870	1.0000	2.000	3.500	1.250	.250	1.125	1.375	1.688	2.500	.156	370	580	.510
TWA 10WUU	5/8	.8750	1.2500	2.500	4.000	1.625	.281	1.437	1.750	2.125	3.000	.188	640	1000	1.000
TWA 12WUU	3/4	.9370	1.3750	2.750	4.500	1.750	.313	1.563	1.875	2.375	3.500	.188	750	1180	1.200
TWA 16WUU	1	1.1870	1.6250	3.250	6.000	2.188	.375	1.938	2.375	2.875	4.500	.219	1360	2120	2.400
TWA 20WUU	1-1/4	1.5000	2.0000	4.000	7.500	2.813	.438	2.500	3.000	3.500	5.500	.219	1970	3060	5.000
TWA 24WUU	1-1/2	1.7500	2.3750	4.750	9.000	3.250	.500	2.875	3.500	4.125	6.500	.281	2370	3700	7.800

* Provided with push-in oil fitting for 1/4" to 1/2" sizes. Sizes from 5/8" to 1-1/2" offer a 1/4-28 tapped hole with a plug for adding a fitting if desired.

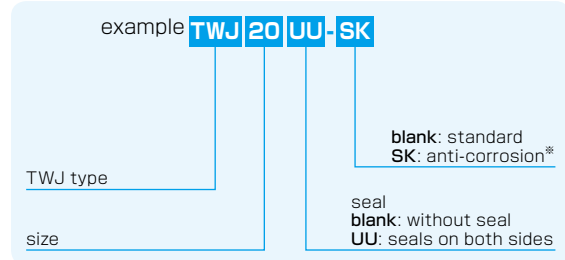
1inch=25.4mm
1lbs≐0.454kg
1lbf≐4.448N

TWJ TYPE (Inch Standard)

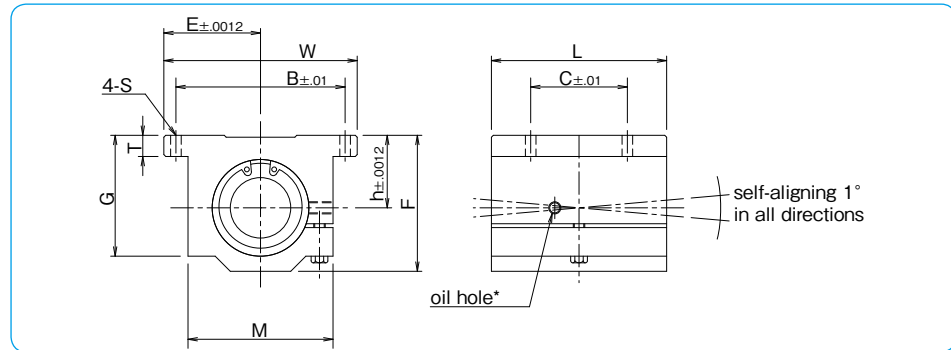
— Clearance Adjustable Block Type —



part number structure



*For anti-corrosion the load plates are electroless nickel plated with stainless steel balls.



part number	nom. shaft dia.	major dimensions								mounting dimensions			basic load rating		mass
		h	E	W	L	F	T	G	M	B	C	S	dynamic C	static Co	
	inch	inch	inch	inch	inch	inch	inch	inch	inch	inch	inch	inch	lbf	lbf	lbs
TWJ 4UU	1/4	.4370	.8125	1.625	1.188	.813	.188	.750	1.000	1.312	.750	.156	60	80	.090
TWJ 6UU	3/8	.5000	.8750	1.750	1.313	.938	.188	.875	1.125	1.437	.875	.156	95	120	.120
TWJ 8UU	1/2	.6870	1.0000	2.000	1.688	1.250	.250	1.125	1.375	1.688	1.000	.156	230	290	.248
TWJ 10UU	5/8	.8750	1.2500	2.500	1.938	1.625	.281	1.437	1.750	2.125	1.125	.188	400	500	.465
TWJ 12UU	3/4	.9370	1.3750	2.750	2.063	1.750	.313	1.563	1.875	2.375	1.250	.188	470	590	.553
TWJ 16UU	1	1.1870	1.6250	3.250	2.813	2.188	.375	1.938	2.375	2.875	1.750	.219	850	1060	1.200
TWJ 20UU	1-1/4	1.5000	2.0000	4.000	3.625	2.813	.438	2.500	3.000	3.500	2.000	.219	1230	1530	2.380
TWJ 24UU	1-1/2	1.7500	2.3750	4.750	4.000	3.250	.500	2.875	3.500	4.125	2.500	.281	1480	1850	3.460
TWJ 32UU	2	2.1250	3.0000	6.000	5.000	4.063	.625	3.625	4.500	5.250	3.250	.406	2430	3040	6.830

* Provided with push-in oil fitting for 1/4" to 1/2" size. Sizes from 5/8" to 2" offer a 1/4-28 tapped hole with a plug for adding a fitting if desired.

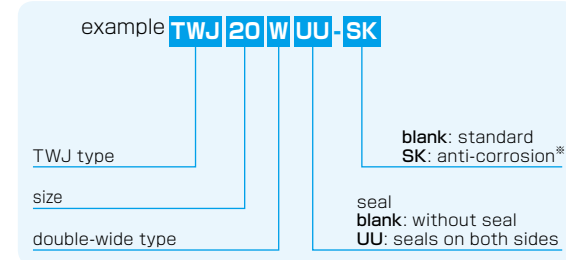
1inch=25.4mm
1lbs≐0.454kg
1lbf≐4.448N

TWJ-W TYPE (Inch Standard)

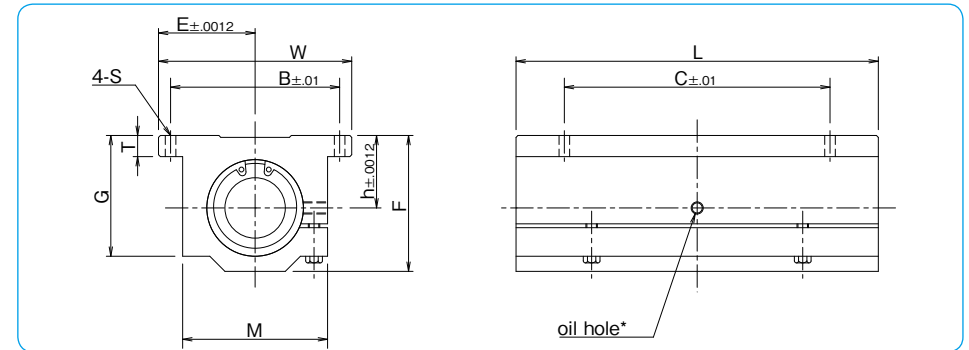
— Clearance Adjustable Double-Wide Block Type —



part number structure



*For anti-corrosion the load plates are electroless nickel plated with stainless steel balls.



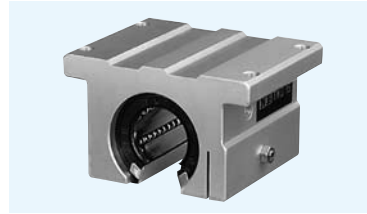
part number	nom. shaft dia.	major dimensions								mounting dimensions			basic load rating		mass
		h	E	W	L	F	T	G	M	B	C	S	dynamic C	static Co	
	inch	inch	inch	inch	inch	inch	inch	inch	inch	inch	inch	inch	lbf	lbf	lbs
TWJ 4WUU	1/4	.4370	.8125	1.625	2.500	.813	.188	.750	1.000	1.312	2.000	.156	96	160	.190
TWJ 6WUU	3/8	.5000	.8750	1.750	2.750	.938	.188	.875	1.125	1.437	2.250	.156	150	240	.250
TWJ 8WUU	1/2	.6870	1.0000	2.000	3.500	1.250	.250	1.125	1.375	1.688	2.500	.156	370	580	.510
TWJ 10WUU	5/8	.8750	1.2500	2.500	4.000	1.625	.281	1.437	1.750	2.125	3.000	.188	640	1000	1.000
TWJ 12WUU	3/4	.9370	1.3750	2.750	4.500	1.750	.313	1.563	1.875	2.375	3.500	.188	750	1180	1.200
TWJ 16WUU	1	1.1870	1.6250	3.250	6.000	2.188	.375	1.938	2.375	2.875	4.500	.219	1360	2120	2.400
TWJ 20WUU	1-1/4	1.5000	2.0000	4.000	7.500	2.813	.438	2.500	3.000	3.500	5.500	.219	1970	3060	5.000
TWJ 24WUU	1-1/2	1.7500	2.3750	4.750	9.000	3.250	.500	2.875	3.500	4.125	6.500	.281	2370	3700	7.800

* Provided with push-in oil fitting for 1/4" to 1/2" size. Sizes from 5/8" to 2" offer a 1/4-28 tapped hole with a plug for adding a fitting if desired.

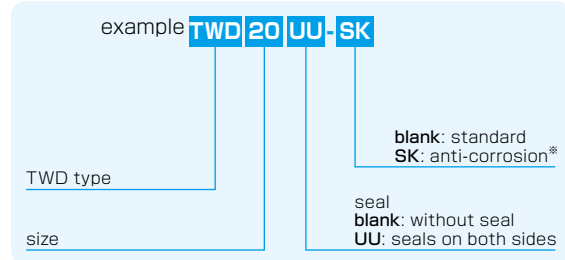
1inch=25.4mm
1lbs≐0.454kg
1lbf≐4.448N

TWD TYPE (Inch Standard)

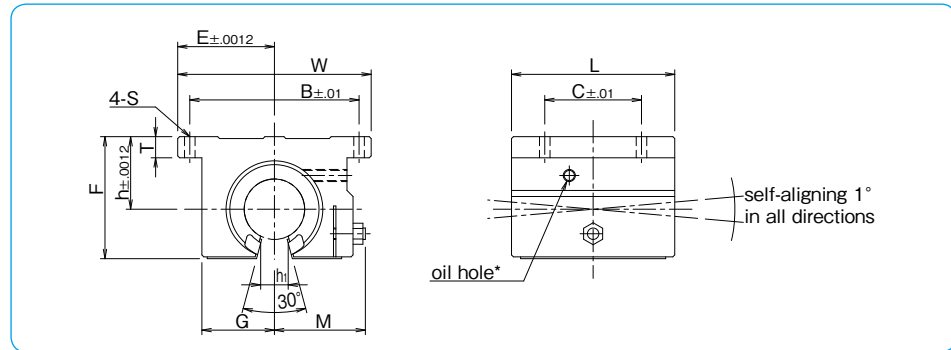
– Open Block Type –



part number structure



※For anti-corrosion the load plates are electroless nickel plated with stainless steel balls.



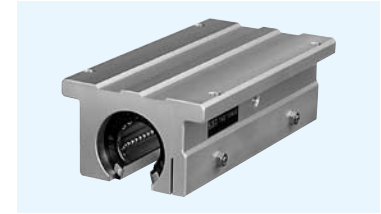
part number	nom. shaft dia. inch	major dimensions										mounting dimensions			basic load rating		mass lbs
		h	E	W	L	F	T	G	M	h ₁	B	C	S	dynamic C lbf	static Co lbf		
TWD 8UU	1/2	.6870	1.000	2.000	1.500	1.100	.250	.688	.86	.260	1.688	1.000	.156	230	290	.188	
TWD 10UU	5/8	.8750	1.2500	2.500	1.750	1.405	.281	.875	1.06	.319	2.125	1.125	.188	400	500	.365	
TWD 12UU	3/4	.9370	1.3750	2.750	1.875	1.535	.315	.937	1.12	.386	2.375	1.250	.188	470	590	.452	
TWD 16UU	1	1.1870	1.6250	3.250	2.625	1.975	.375	1.188	1.40	.512	2.875	1.750	.218	850	1060	1.010	
TWD 20UU	1-1/4	1.5000	2.0000	4.000	3.375	2.485	.437	1.500	1.88	.596	3.500	2.000	.218	1230	1530	1.980	
TWD 24UU	1-1/2	1.7500	2.3750	4.750	3.750	2.910	.500	1.750	2.12	.681	4.125	2.500	.281	1480	1850	2.950	
TWD 32UU	2	2.1250	3.0000	6.000	4.750	3.660	.625	2.250	2.70	.933	5.250	3.250	.406	2430	3040	5.840	

* Provided with push-in oil fitting for 1/4" to 1/2" size. Sizes from 5/8" to 2" offer a 1/4-28 tapped hole with a plug for adding a fitting if desired.

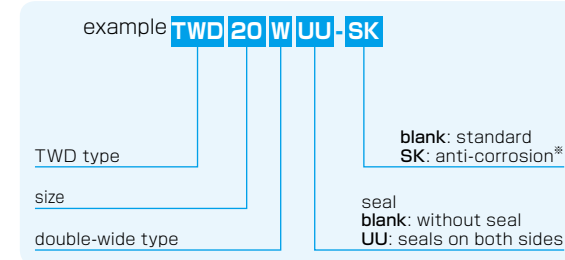
1inch=25.4mm
1lbs≐0.454kg
1lbf≐4.448N

TWD-W TYPE (Inch Standard)

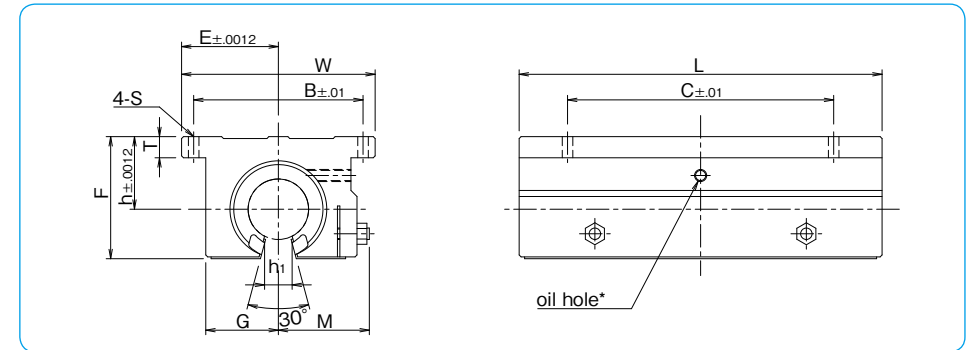
– Double-Wide Open Block Type –



part number structure



※For anti-corrosion the load plates are electroless nickel plated with stainless steel balls.



part number	nom. shaft dia. inch	major dimensions										mounting dimensions			basic load rating		mass lbs
		h	E	W	L	F	T	G	M	h ₁	B	C	S	dynamic C lbf	static Co lbf		
TWD 8WUU	1/2	.6870	1.000	2.000	3.500	1.100	.250	.688	.86	.260	1.688	2.500	.156	370	580	.400	
TWD 10WUU	5/8	.8750	1.2500	2.500	4.000	1.405	.281	.875	1.06	.319	2.125	3.000	.188	640	1000	.800	
TWD 12WUU	3/4	.9370	1.3750	2.750	4.500	1.535	.315	.937	1.12	.386	2.375	3.500	.188	750	1180	1.000	
TWD 16WUU	1	1.1870	1.6250	3.250	6.000	1.975	.375	1.188	1.40	.512	2.875	4.500	.218	1360	2120	2.000	
TWD 20WUU	1-1/4	1.5000	2.0000	4.000	7.500	2.485	.437	1.500	1.88	.569	3.500	5.500	.218	1970	3060	4.200	
TWD 24WUU	1-1/2	1.7500	2.3750	4.750	9.000	2.910	.500	1.750	2.12	.681	4.125	6.500	.281	2370	3700	6.700	

* Provided with push-in oil fitting for 1/4" to 1/2" size. Sizes from 5/8" to 2" offer a 1/4-28 tapped hole with a plug for adding a fitting if desired.

1inch=25.4mm
1lbs≐0.454kg
1lbf≐4.448N

STROKE BUSH

SLIDE ROTARY

BUSH

STROKE BUSH

The NB stroke bush is a linear and rotational motion mechanism utilizing the rotational motion of ball elements between an outer cylinder and a shaft. It is compact and can withstand high loading. The retainer is made of a light metal alloy with high wear resistance. Smooth motion is achieved under high-speed and high-acceleration conditions.

Although the linear motion is limited to a specific stroke length, the combined rotation and stroke motion is achieved with very little frictional resistance. The NB stroke bush can be conveniently used in a variety of applications.

STRUCTURE AND ADVANTAGES

The retainer in the NB stroke bush positions the ball elements in a zigzag arrangement. The inner surface of the outer cylinder is finished by precision grinding, resulting in smooth motion of the ball elements. Each of the ball elements is held in a separate hole and smooth motion is achieved for both rotational motion and linear motion. The retainer moves half the length of the linear motion, therefore, the stroke length is limited to approximately twice the length the retainer can travel within the outer cylinder. The actual stroke should be limited to 80% of the maximum stroke as listed in the dimension tables.

High Precision

High-carbon chromium bearing steel is used for the outer cylinder. It is heat treated and ground to achieve high rigidity and accuracy.

Ease of Mounting and Replacement

The highly accurate fabrication of the NB stroke bush results in uniform dimensions, facilitating parts replacement and housing fabrication.

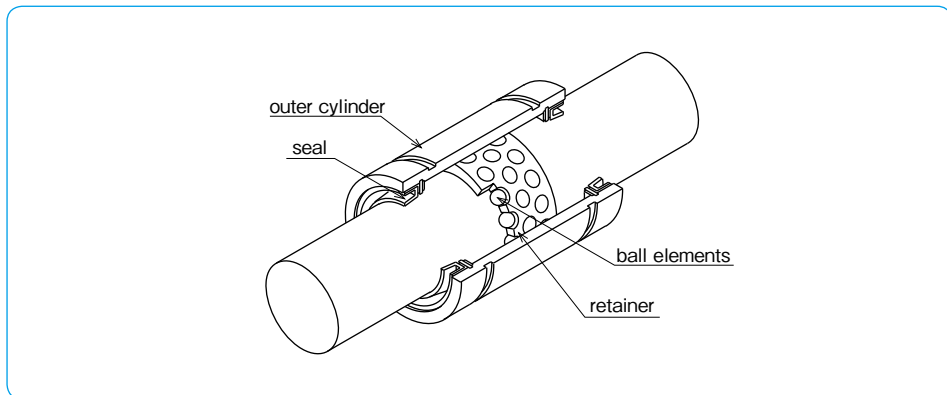
Light Weight and Space Saving

The use of an aluminum alloy for the retainer and the thin-wall outer cylinder makes the NB stroke bush light weight and compact.

Lubrication

One lubrication hole is provided on each oil groove of the outer cylinder, making it easy to lubricate the SR stroke bush.

Figure E-1 Structure of SR Stroke Bush



ACCURACY

The accuracies of the SR stroke bush are stated in the dimension tables. Since the outer cylinder deforms due to tension from the retaining ring, the dimension of the outer cylinder is an average value at points P, where calculated using the following equation:

$$W = 4 + L/8$$

W: the distance from the end of the outer cylinder to measurement point P
L: the length of the outer cylinder

FIT

The fits generally used between the shaft and the housing are listed in Table E-1. The inner contact diameters of the SR stroke bush are listed in the dimension tables. The shaft diameter tolerance should be selected to achieve the desired amount of radial clearance (see Table E-2). Please pay attention that high-speed linear motion can cause the retainer to slip due to inertial force.

Table E-1

normal operating condition		vertical use or highly accurate case	
shaft	housing	shaft	housing
k5,m5	H6,H7	n5,p6	J6,J7

RATED LOAD AND RATED LIFE

The relationship between the rated load and life of the stroke bush is expressed as follows:

$$L = \left(\frac{f_H \cdot f_T \cdot f_C \cdot C}{f_W \cdot P} \right)^3$$

L: rated life (10⁶ rotations) f_H: hardness coefficient
f_T: temperature coefficient f_C: contact coefficient
f_W: applied load coefficient
C: basic dynamic load rating (N)
P: applied load (N)
※Refer to page Eng-5 for the coefficients.

ALLOWABLE SPEED FOR COMBINED ROTATION AND STROKE MOTION

The allowable speed for combined rotation and stroke motion is obtained from the following equation:

$$DN \geq dm \cdot n + 10 \cdot S \cdot n_1$$

Figure E-2 Outer Cylinder Measurement Points

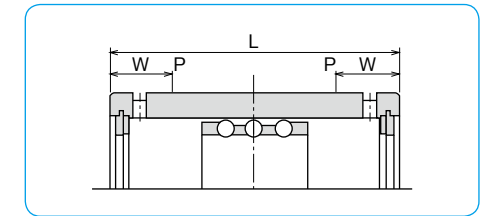


Table E-2 Radial Clearance Negative Limit

part number	limit (μm)
6	- 2
8~10	- 3
12~16	- 4
20~30	- 5
35~50	- 6
60~80	- 8
100	-10

●For combined rotation and stroke motion

$$L_h = \frac{10^6 \cdot L}{60 \sqrt{(dm \cdot n)^2 + (10 \cdot S \cdot n_1)^2}} / dm$$

●For stroke motion

$$L_h = \frac{10^6 \cdot L}{600 \cdot S \cdot n_1 / (\pi \cdot dm)}$$

L_h: life time (hr) S: stroke length (mm)
n: revolutions per min. (rpm)
n₁: number of cycles per minute (cpm)
dm: ball pitch diameter (mm) ≈ 1.15 dr

The value of DN is given as follows depending on the lubrication method.

for oil lubrication	DN=600,000
for grease lubrication	DN=300,000

note:.....n ≤ 5,000 S · n₁ ≤ 50,000

SR TYPE

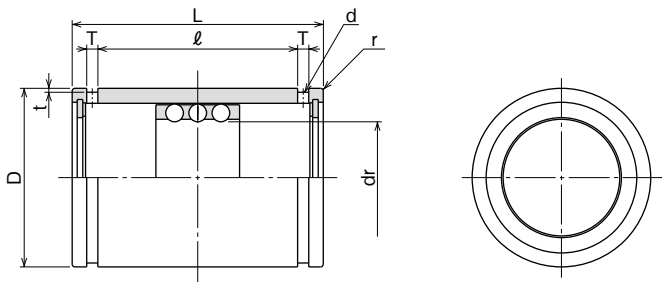


part number structure

example **SR 20**

SR type

inner contact diameter (dr)



SR-UU TYPE



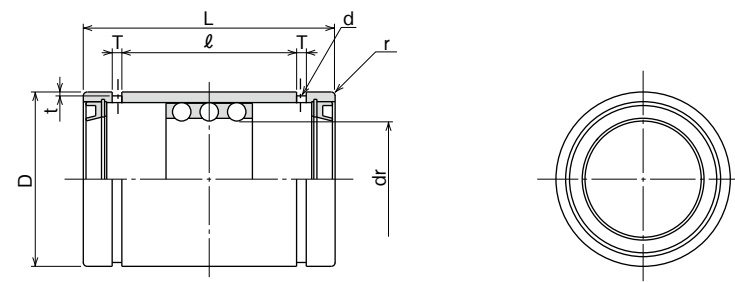
part number structure

example **SR 20 UU**

SR type

inner contact diameter (dr)

seals on both sides



part number	maximum stroke mm	number of rows	dr		D		major dimensions					basic load rating		mass g	
			mm	tolerance μm	mm	tolerance μm	L	ℓ	T	t	d	r	dynamic C N		static Co N
SR 6	20	3	6	+22	12	0	20	11.3	1.1	0.5	1	0.5	216	147	8.9
SR 8	24	3	8	+13	15	-11	24	17.1	1.5	0.5	1.2	0.5	343	245	15.6
SR 10	30	3	10	+19	19	0	30	22.7	1.5	0.5	1.2	0.5	637	461	28.8
SR 12	32	3	12	+27	23	-13	32	24.5	1.5	0.5	1.2	0.5	1,070	813	42
SR 16	40	3	16	+16	28	0	37	29.1	1.5	0.7	1.3	0.5	1,180	990	71
SR 20	50	3	20	+33	32	0	45	35.8	2	0.7	1.5	0.5	1,260	1,170	99
SR 25	50	3	25	+20	37	-16	45	35.8	2	0.7	1.6	1	1,330	1,330	117
SR 30	82	3	30	+45	45	0	65	53.5	2.5	1	2	1	2,990	3,140	205
SR 35	92	3	35	+52	52	0	70	58.5	2.5	1	2	1.5	3,140	3,530	329
SR 40	108	3	40	+41	60	0	80	68.3	2.5	1	2	1.5	4,120	4,800	516
SR 50	138	3	50	+25	72	-19	100	86.4	3	1	2.5	1.5	5,540	6,910	827
SR 60	138	3	60	+49	85	0	100	86.4	3	1	2.5	2	5,980	8,230	1,240
SR 80	132	3	80	+30	110	-22	100	86	3	1.5	2.5	2	7,840	12,200	2,050
SR100	132	3	100	+58/+36	130	0/-25	100	86	3	1.5	2.5	2	8,430	14,700	2,440

1N≒0.102kgf

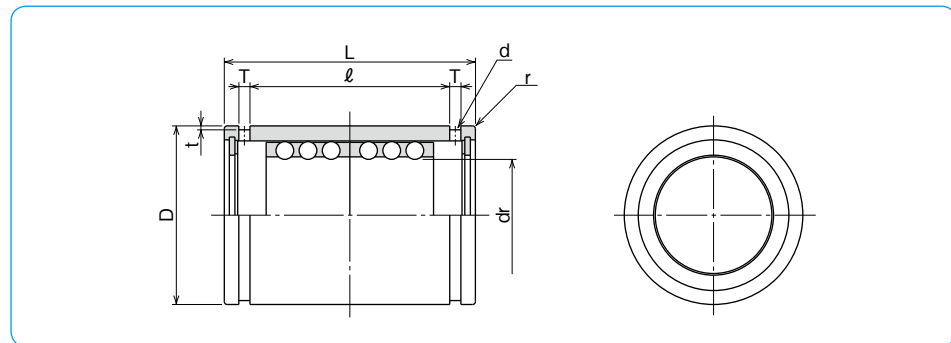
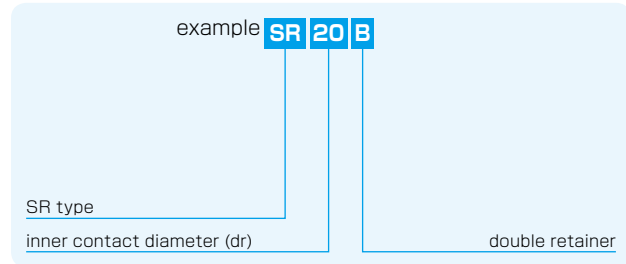
part number	maximum stroke mm	number of rows	dr		D		major dimensions					basic load rating		mass g	
			mm	tolerance μm	mm	tolerance μm	L	ℓ	T	t	d	r	dynamic C N		static Co N
SR 8UU	14	3	8	+22	15	0/-11	24	12.3	1.5	0.5	1.2	0.5	343	245	15.6
SR 10UU	16	3	10	+13	19	0	30	15.5	1.5	0.5	1.2	0.5	637	461	28.8
SR 12UU	17	3	12	+27	23	-13	32	17.1	1.5	0.5	1.2	0.5	1,070	813	42
SR 16UU	24	3	16	+16	28	0	37	21.1	1.5	0.7	1.3	0.5	1,180	990	71
SR 20UU	32	3	20	+33	32	-16	45	26.8	2	0.7	1.5	0.5	1,260	1,170	99
SR 25UU	32	3	25	+20	37	0	45	26.8	2	0.7	1.6	1	1,330	1,330	117
SR 30UU	65	3	30	+45	45	-16	65	45.1	2.5	1	2	1	2,990	3,140	205
SR 35UU	75	3	35	+52	52	0	70	50.1	2.5	1	2	1.5	3,140	3,530	329
SR 40UU	91	3	40	+41	60	0	80	59.9	2.5	1	2	1.5	4,120	4,800	516
SR 50UU	120	3	50	+25	72	-19	100	77.4	3	1	2.5	1.5	5,540	6,910	827
SR 60UU	120	3	60	+49	85	0	100	77.4	3	1	2.5	2	5,980	8,230	1,240
SR 80UU	114	3	80	+30	110	-22	100	77	3	1.5	2.5	2	7,840	12,200	2,050
SR100UU	114	3	100	+58/+36	130	0/-25	100	77	3	1.5	2.5	2	8,430	14,700	2,440

1N≒0.102kgf

SR-B TYPE



part number structure



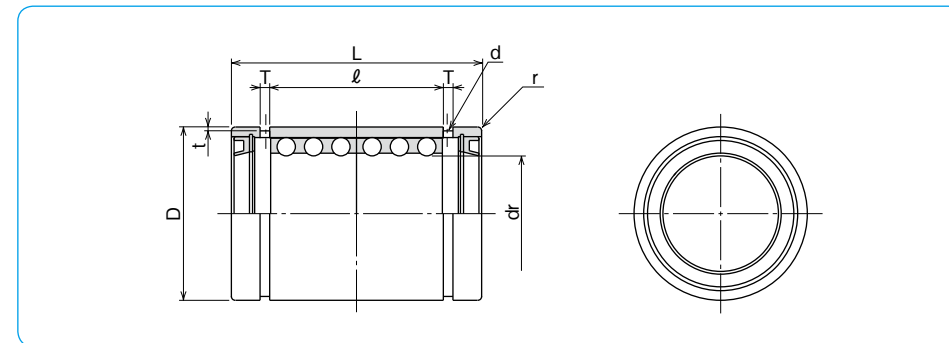
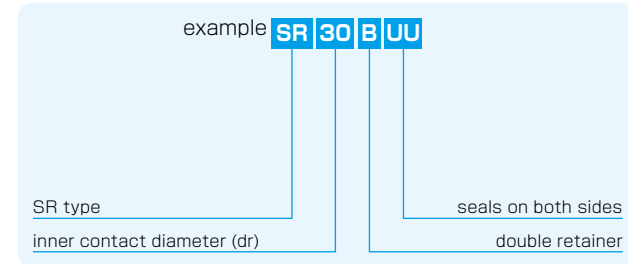
part number	maximum stroke mm	number of rows	major dimensions										basic load rating		mass g	
			dr mm	tolerance μm	D mm	tolerance μm	L mm	tolerance mm	ℓ mm	T mm	t mm	d mm	r mm	dynamic C N		static Co N
SR 8B	8	6	8	+22	15	0/-11	24	0	17.1	1.5	0.5	1.2	0.5	549	490	16.8
SR 10B	8	6	10	+13	19	0	30	0	22.7	1.5	0.5	1.2	0.5	1,030	931	31.2
SR 12B	8	6	12	+27	23	-13	32	-0.2	24.5	1.5	0.5	1.2	0.5	1,720	1,630	46
SR 16B	16	6	16	+16	28	0	37	0	29.1	1.5	0.7	1.3	0.5	1,910	1,980	75
SR 20B	20	6	20	+33	32	0	45	0	35.8	2	0.7	1.5	0.5	2,060	2,320	106
SR 25B	20	6	25	+20	37	-16	45	0	35.8	2	0.7	1.6	1	2,170	2,670	125
SR 30B	44	6	30	+33	45	0	65	0	53.5	2.5	1	2	1	4,800	6,270	220
SR 35B	54	6	35	+41	52	0	70	0	58.5	2.5	1	2	1.5	5,050	7,060	346
SR 40B	66	6	40	+25	60	-19	80	-0.3	68.3	2.5	1	2	1.5	6,710	9,560	540
SR 50B	88	6	50	+25	72	-19	100	-0.3	86.4	3	1	2.5	1.5	8,970	13,800	862
SR 60B	88	6	60	+49	85	0	100	0	86.4	3	1	2.5	2	9,700	16,500	1,290
SR 80B	76	6	80	+30	110	-22	100	0	86	3	1.5	2.5	2	12,700	24,300	2,110
SR100B	76	6	100	+58/+36	130	0/-25	100	-0.4	86	3	1.5	2.5	2	13,700	29,400	2,520

1N \approx 0.102kgf

SR-BUU TYPE



part number structure



part number	maximum stroke mm	number of rows	major dimensions										basic load rating		mass g	
			dr mm	tolerance μm	D mm	tolerance μm	L mm	tolerance mm	ℓ mm	T mm	t mm	d mm	r mm	dynamic C N		static Co N
SR 30BUU	27	6	30	+33/+20	45	0/-16	65	0	45.1	2.5	1	2	1	4,800	6,270	220
SR 35BUU	37	6	35	+41	52	0	70	0	50.1	2.5	1	2	1.5	5,050	7,060	346
SR 40BUU	49	6	40	+25	60	-19	80	-0.3	59.9	2.5	1	2	1.5	6,710	9,560	540
SR 50BUU	70	6	50	+49	72	-19	100	-0.3	77.4	3	1	2.5	1.5	8,970	13,800	862
SR 60BUU	70	6	60	+49	85	0	100	0	77.4	3	1	2.5	2	9,700	16,500	1,290
SR 80BUU	58	6	80	+30	110	-22	100	0	77	3	1.5	2.5	2	12,700	24,300	2,110
SR100BUU	58	6	100	+58/+36	130	0/-25	100	-0.4	77	3	1.5	2.5	2	13,700	29,400	2,520

1N \approx 0.102kgf

SLIDE ROTARY BUSH SRE SERIES

The NB Slide Rotary Bush SRE Series provides rotary and linear motion functions. Linear motion with unlimited stroke and rotary motion are merged into a single bush resulting in great space saving compared with a combination of any conventional bearings. There are three types; standard, flange, and unit type with sizes ranging from 6 to 40.

STRUCTURE AND ADVANTAGES

NB Slide Rotary Bush features a special retainer fitted into cylindrical steel outer cylinder and is designed to guide steel balls for smooth circulation in its retainer. The retainer is also designed to rotate freely towards radial direction and offers smooth linear and rotary motions.

Smooth Operation

The inner surface of the outer cylinder allows smooth operation of linear and rotary motions while maintaining a uniform load distribution.

High Load Capacity

The use of comparatively large diameter steel balls enhances the load capacity.

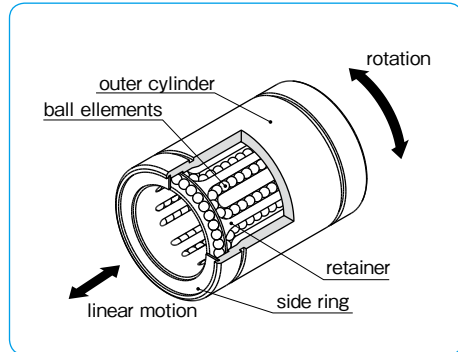
Smooth Rotation

The positioning of the steel balls in a cylindrical formation inside the retainer enables a smooth rotational motion regardless of the installation direction.

Complete Interchangeability

NB Slide Rotary series is completely interchangeable with SM type Slide Bush, SMK type Flanged Slide Bush and SMA(W) type, AK(W) type and SMP type.

Figure E-3 Structure of Slide Rotary Bush SRE type



RATED LIFE AND LOAD RATING

The rated life and load rating are defined as follows.

Rated Life

When a group of slide rotary bearings of the same type are used under the same conditions, the rated life is defined as the total number of rotations made without causing flaking by 90% of the bearings.

Basic Dynamic Load Rating

The basic dynamic load rating is defined as the load with a constant magnitude and direction at which a rated life of 10^6 rotations can be achieved.

Basic Static Load Rating

The basic static load rating is defined as the load with a constant direction that would result in a certain contact stress at the mid-point of the rolling element and tracking surface that are experiencing the maximum stress.

Equation (1) gives the relation between the applied load and the rated life of the slide rotary bush.

$$L = \left(\frac{f_H \cdot f_T \cdot f_C \cdot C}{f_W \cdot P} \right)^3 \dots\dots\dots (1)$$

L: rated life (10^6 rotations) f_H : hardness coefficient
 f_T : temperature coefficient f_C : contact coefficient
 f_W : applied load coefficient C: basic dynamic load rating (N)
 P: applied load (N)
 ※Refer to page Eng-5 for the coefficients.

Since the slide rotary bush is used in applications with combined linear and rotary motions, the life time is obtained using Equations (2) and (3).

●When linear and rotary motions are combined

$$L_h = \frac{10^6 \cdot L}{60\sqrt{(dm \cdot n)^2 + (10 \cdot S \cdot n_1)^2} / dm} \dots\dots (2)$$

●When only linear motion is involved

$$L_h = \frac{10^6 \cdot L}{600 \cdot S \cdot n_1 / (\pi \cdot dm)} \dots\dots\dots (3)$$

L_h : life time (hr) S: stroke length (mm) n: revolutions per minute (rpm) n_1 : number of cycles per minute (cpm)
 dm : ball pitch diameter (mm) $\approx 1.15dr$ (dr is the inner contact diameter of the SRE series)

Calculation Example

The life of SRE20 type NB slide rotary bush is calculated based on the following conditions.

- Conditions
 - Motion: Linear and rotational combined Load: P=30N Stroke: S=200mm
 - Revolutions per minute: n=15rpm Number of cycles per minute: $n_1=10$ cpm
 - Shaft surface hardness: greater than 58 HRC
 - Operating temperature: room temperature Other: single shaft with single bush

- Calculation
 - Basic dynamic load rating: C=647 N
 - Based on the above conditions, the life is calculated using the following coefficient values.
 - Hardness coefficient $f_H=1$, Temperature coefficient $f_T=1$, Contact coefficient $f_C=1$
 - Applied load coefficient, $f_W=1.5$

Rated life

$$L = \left(\frac{f_H \cdot f_T \cdot f_C \cdot C}{f_W \cdot P} \right)^3$$

$$= \left(\frac{1 \times 1 \times 1 \cdot 647}{1.5 \cdot 30} \right)^3 = 2,972 \text{ (} 10^6 \text{ rotations)}$$

Life (in hours)

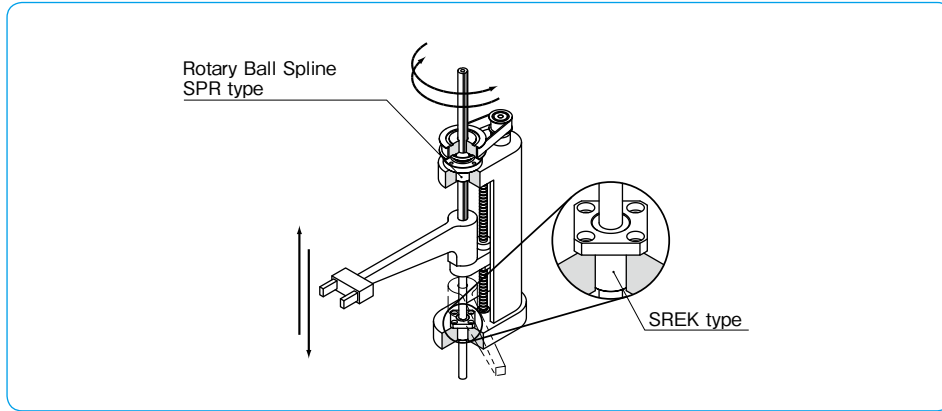
$$L_h = \frac{10^6 \cdot L}{60\sqrt{(dm \cdot n)^2 + (10 \cdot S \cdot n_1)^2} / dm}$$

$$= \frac{10^6 \times 2,975}{60\sqrt{(1.15 \times 20 \times 15)^2 + (10 \times 200 \times 10)^2} / (1.15 \times 20)}$$

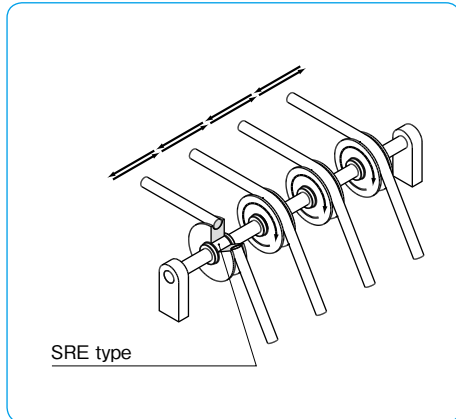
$$= 56,900 \text{ (h)}$$

APPLICATION EXAMPLES

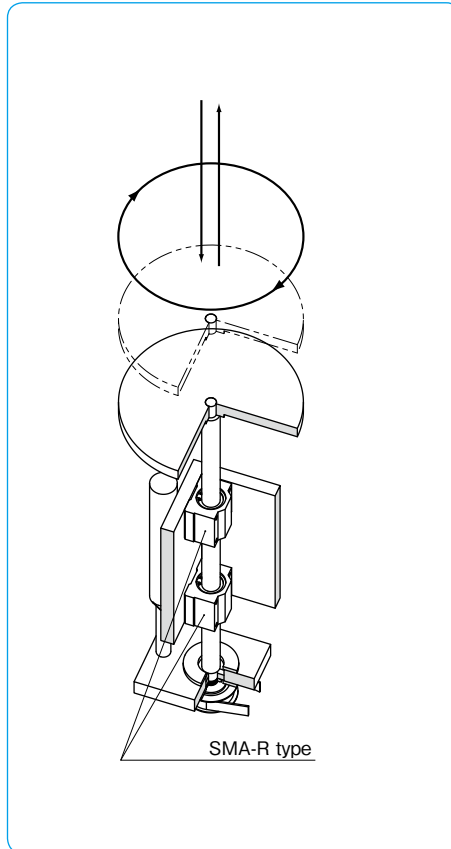
Application Example 1 Vertical Shaft Robot Arm



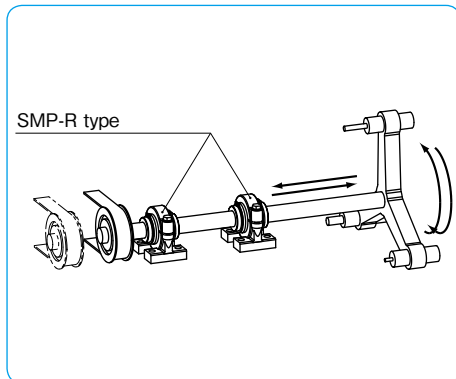
Application Example 2 Multiple Gearing Idler



Application Example 4 Turntable



Application Example 3 Tool Changer



USE AND HANDLING PRECAUTIONS

● Shaft

Since the ball elements rotate on the shaft surface in the SRE type slide rotary bush, the accuracy and hardness of the shaft are important factors.

Outer Diameter: A tolerance of g6 is recommended for smooth operation.

Hardness: A hardness of greater than 58HRC is recommended for long life. If the hardness is less than 58 HRC, the life is calibrated using the hardness coefficient.

Surface Roughness: A roughness of less than 0.4Ra is recommended.

● Housing

An inner diameter tolerance of H7 is recommended for housing.

● Lubrication

Lubrication is needed (1) to prevent heat fusing by reducing friction between the rolling elements and the tracking surface, (2) to reduce wear of the structural elements, and (3) to prevent rusting.

Lubrication affects both the performance and life of the bush. A lubrication method and a lubrication agent appropriate to the operating conditions should be selected. For oil lubrication, turbine oil (ISO standard VG32-68) is recommended. For grease lubrication, lithium soap based grease No. 2 is recommended. The replenishment interval depends on the operating conditions.

● Dust Prevention

Dust and other contaminants affect the bush's lifetime and accuracy. Appropriate prevention methods are thus important.

● Operating Temperature Range

The operating temperature is ranging from -20°C to 110°C. In case of operation at a temperature outside this range, please contact NB.

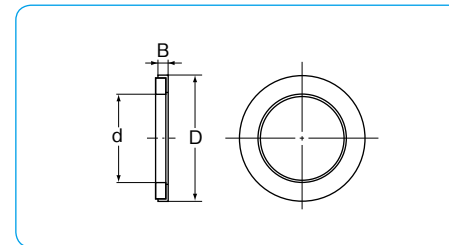
● Retainer Material

The standard material of SRE Retainer is copper alloy. When requiring other material, please contact NB.

FELT SEAL

A felt seal FLM strengthens lubrication characteristics and extends relubrication period of the slide rotary bush.

Figure E-4 Felt Seal



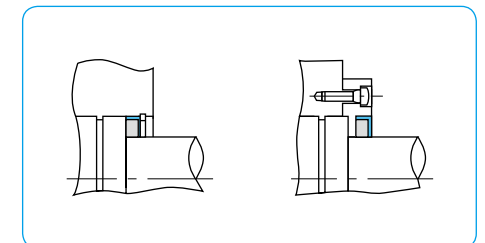
Installation

The felt seal does not work as a retaining ring. Figure E-5 shows how to install the felt seal.

Table E-3 Felt Seal Dimensions

part number	major dimensions (mm)			applicable slide rotary bush
	d	D	B	
FLM 6	6	12	2	SRE 6
FLM 8	8	15	2	SRE 8
FLM 10	10	19	3	SRE 10
FLM 12	12	21	3	SRE 12
FLM 13	13	23	3	SRE 13
FLM 16	16	28	4	SRE 16
FLM 20	20	32	4	SRE 20
FLM 25	25	40	5	SRE 25
FLM 30	30	45	5	SRE 30
FLM 40	40	60	5	SRE 40

Figure E-5 Example of Installation



SRE TYPE

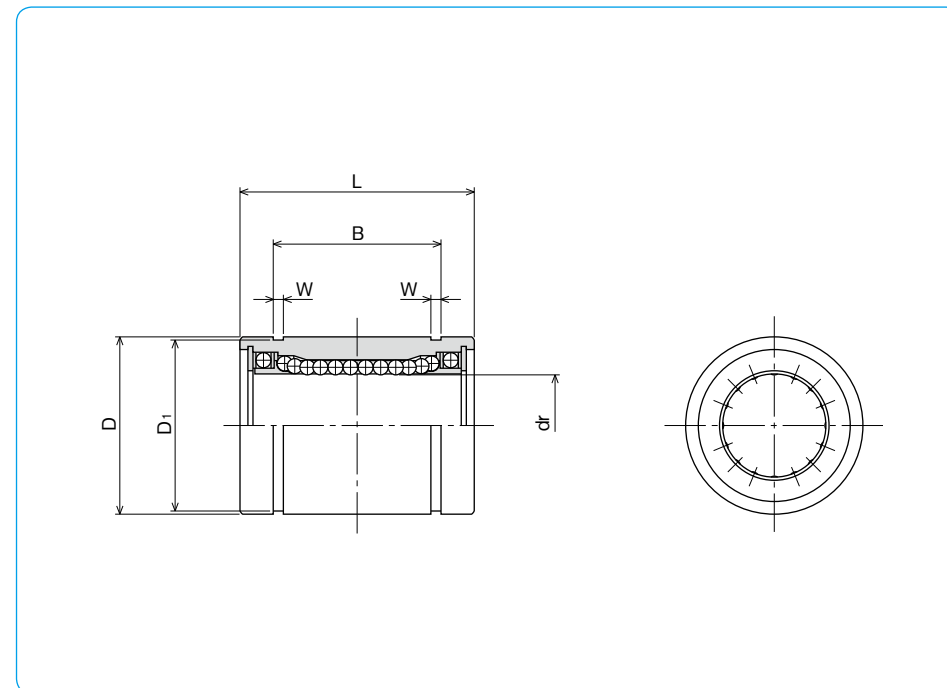


part number structure

example **SRE 25**

SRE type

inner contact diameter (dr)



part number	major dimensions							
	mm	dr tolerance μm	mm	D tolerance μm	mm	L tolerance mm	mm	B tolerance mm
SRE 6	6		12	0	19		13.5	
SRE 8	8	+4	15	-11	24		17.5	
SRE10	10	-5	19		29	0	22	0
SRE12	12	+3	21	0	30	-0.2	23	-0.2
SRE13	13	-6	23	-13	32		23	
SRE16	16		28		37		26.5	
SRE20	20	+3	32	0	42		30.5	
SRE25	25	-7	40	-16	59	0	41	0
SRE30	30		45		64	-0.3	44.5	-0.3
SRE40	40	+3/-8	60	0/-19	80		60.5	

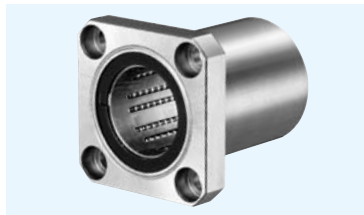
※If the inner contact diameter exceeds 40 mm, please contact NB.

W	D1	basic load rating		allowable revolutions per minute rpm	mass g	part number
		dynamic C N	static Co N			
1.1	11.5	78	176	300	10	SRE 6
1.1	14.3	137	314	300	20	SRE 8
1.3	18	157	372	300	39	SRE10
1.3	20	274	588	300	42	SRE12
1.3	22	323	686	300	56	SRE13
1.6	27	451	882	250	97	SRE16
1.6	30.5	647	1,180	250	133	SRE20
1.85	38	882	1,860	250	293	SRE25
1.85	43	1,180	2,650	200	371	SRE30
2.1	57	1,960	4,020	200	778	SRE40

1N \approx 0.102kgf

SREK TYPE

– Square Flange type –

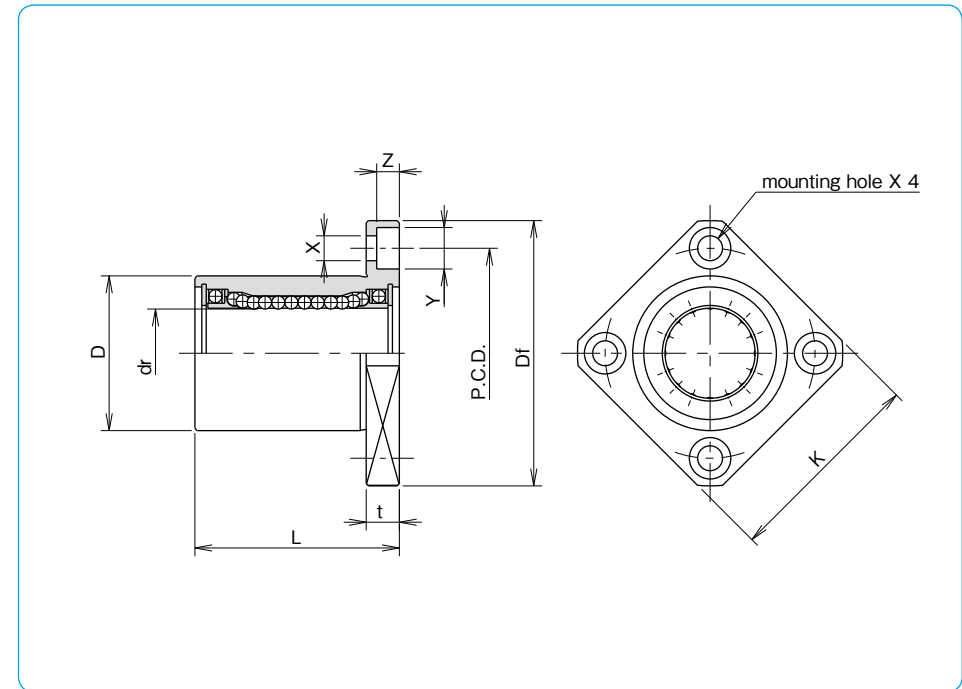


part number structure

example **SREK 25**

SREK type

inner contact diameter (dr)



part number	dr		D		major dimensions			
	mm	tolerance μm	mm	tolerance μm	L ±0.3 mm	Df mm	K mm	flange t mm
SREK 6	6		12	0	19	28	22	5
SREK 8	8	+4	15	-13	24	32	25	5
SREK10	10	-5	19		29	40	30	6
SREK12	12	+3	21	0	30	42	32	6
SREK13	13	-6	23	-16	32	43	34	6
SREK16	16		28		37	48	37	6
SREK20	20	+3	32	0	42	54	42	8
SREK25	25	-7	40	-19	59	62	50	8
SREK30	30		45		64	74	58	10

P.C.D. mm	X×Y×Z mm	perpendicularity μm	basic load rating		allowable revolutions per minute rpm	mass g	part number
			dynamic C N	static Co N			
20	3.5×6×3.1	12	78	176	300	21	SREK 6
24	3.5×6×3.1		137	314	300	33	SREK 8
29	4.5×7.5×4.1		157	372	300	61	SREK10
32	4.5×7.5×4.1		274	588	300	67	SREK12
33	4.5×7.5×4.1		323	686	300	83	SREK13
38	4.5×7.5×4.1		451	882	250	126	SREK16
43	5.5×9×5.1	15	647	1,180	250	178	SREK20
51	5.5×9×5.1		882	1,860	250	355	SREK25
60	6.6×11×6.1		1,180	2,650	200	483	SREK30

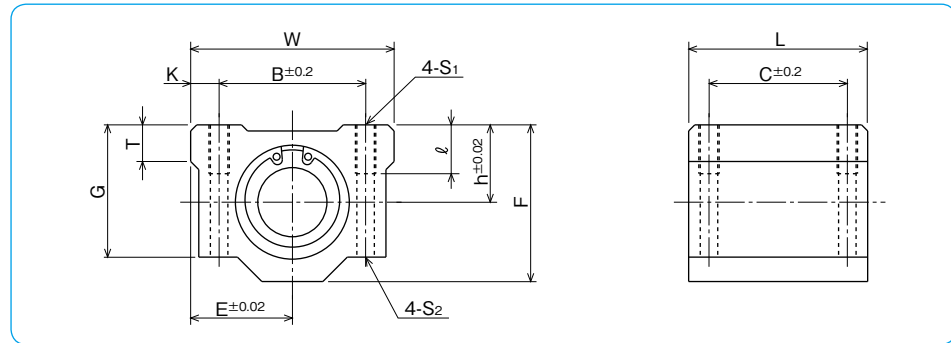
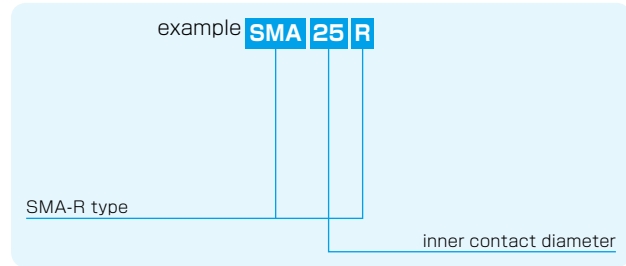
1N≐0.102kgf

SMA-R TYPE

-Block type-



part number structure



part number	inner contact diameter		major dimensions													basic load rating		allowable revolutions per minute	mass
	mm	tolerance μm	outer dimensions				mounting dimensions					dynamic	static	N	Co	rpm	g		
	h	E	W	L	F	G	T	B	C	K	S ₁	ℓ	S ₂					C	Co
SMA 6R	6		9	15	30	25	18	15	6	20	15	5	M4	8	3.4	78	176	300	33
SMA 8R	8	+4	11	17	34	30	22	18	6	24	18	5	M4	8	3.4	137	314	300	55
SMA 10R	10	-5	13	20	40	35	26	21	8	28	21	6	M5	12	4.3	157	372	300	93
SMA 12R	12		15	21	42	36	28	24	8	30.5	26	5.5	M5	12	4.3	274	588	300	104
SMA 13R	13	+3	15	22	44	39	30	24.5	8	33	26	5.5	M5	12	4.3	323	686	300	128
SMA 16R	16	-6	19	25	50	44	38.5	32.5	9	36	34	7	M5	12	4.3	451	882	250	216
SMA 20R	20		21	27	54	50	41	35	11	40	40	7	M6	12	5.2	647	1,180	250	286
SMA 25R	25	+3	26	38	76	67	51.5	42	12	54	50	11	M8	18	7	882	1,860	250	645
SMA 30R	30	-7	30	39	78	72	59.5	49	15	58	58	10	M8	18	7	1,180	2,650	200	824
SMA 40R	40	+3/-8	40	51	102	90	78	62	20	80	60	11	M10	25	8.7	1,960	4,020	200	1,719

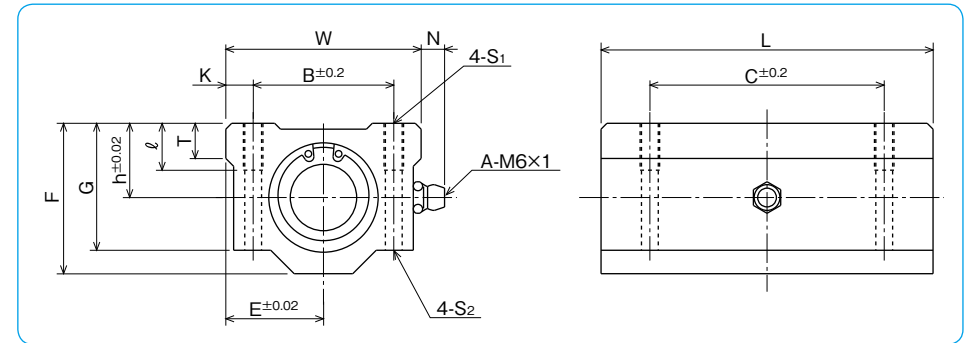
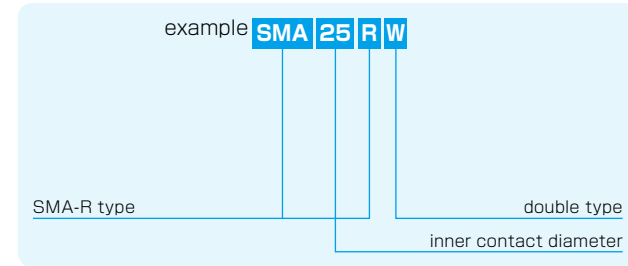
1N=0.102kgf

SMA-RW TYPE

-Double-Wide Block type-



part number structure



part number	inner contact diameter		major dimensions													basic load rating		allowable revolutions per minute	mass	
	mm	tolerance μm	outer dimensions				mounting dimensions					dynamic	static	N	Co	rpm	g			
	h	E	W	L	F	G	T	N	B	C	K	S ₁	ℓ					S ₂	C	Co
SMA 6RW	6		9	15	30	48	18	15	6	7	20	36	5	M4	8	3.4	126	352	300	68
SMA 8RW	8	+4	11	17	34	58	22	18	6	7	24	42	5	M4	8	3.4	222	628	300	113
SMA 10RW	10	-5	13	20	40	68	26	21	8	7	28	46	6	M5	12	4.3	254	744	300	188
SMA 12RW	12		15	21	42	70	28	24	8	6.5	30.5	50	5.5	M5	12	4.3	444	1,180	300	210
SMA 13RW	13	+3	15	22	44	75	30	24.5	8	6.5	33	50	5.5	M5	12	4.3	523	1,370	300	254
SMA 16RW	16	-6	19	25	50	85	38.5	32.5	9	6	36	60	7	M5	12	4.3	731	1,760	250	431
SMA 20RW	20		21	27	54	96	41	35	11	7	40	70	7	M6	12	5.2	1,050	2,360	250	568
SMA 25RW	25	+3	26	38	76	130	51.5	42	12	4	54	100	11	M8	18	7	1,430	3,720	250	1,282
SMA 30RW	30	-7	30	39	78	140	59.5	49	15	5	58	110	10	M8	18	7	1,910	5,300	200	1,638
SMA 40RW	40	+3/-8	40	51	102	175	78	62	20	5	80	140	11	M10	25	8.7	3,180	8,040	200	3,419

1N=0.102kgf

AK-R TYPE

-Compact Block type-

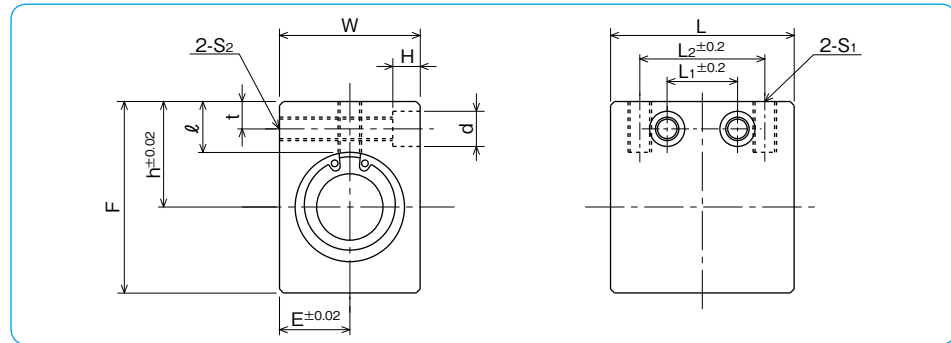


part number structure

example **AK 25 R**

AK-R type

inner contact diameter



part number	inner contact diameter		major dimensions														basic load rating		allowable revolutions per minute	mass
			outer dimensions					mounting dimensions									dynamic	static		
			h	E	W	L	F	L ₂	S ₁	ℓ	L ₁	t	S ₂	d	H	C	Co			
AK 6R	6		14	8	16	27	22	18	M4	8	9	5	M4	6	5	78	176	300	27	
AK 8R	8	+4	16	10	20	32	26	20	M5	8.5	10	5	M4	6	5	137	314	300	48	
AK10R	10	-5	19	13	26	39	32	27	M6	9.5	15	6	M5	8	6	157	372	300	94	
AK12R	12		20	14	28	40	34	27	M6	9.5	15	6	M5	8	6	274	588	300	105	
AK13R	13	+3	25	15	30	42	43	28	M6	13.5	16	7	M6	9	7	323	686	300	151	
AK16R	16	-6	27	18	36	47	49	32	M6	13	18	7	M6	9	7	451	882	250	238	
AK20R	20		31	21	42	52	54	36	M8	15	18	8	M8	11	8	647	1,180	250	328	
AK25R	25	+3	37	26	52	69	65	42	M10	17	22	9	M10	14	10	882	1,860	250	669	
AK30R	30	-7	40	29	58	74	71	44	M10	17.5	22	9	M10	14	10	1,180	2,650	200	856	

1N≒0.102kgf

AK-RW TYPE

-Double-Wide Compact Block type-



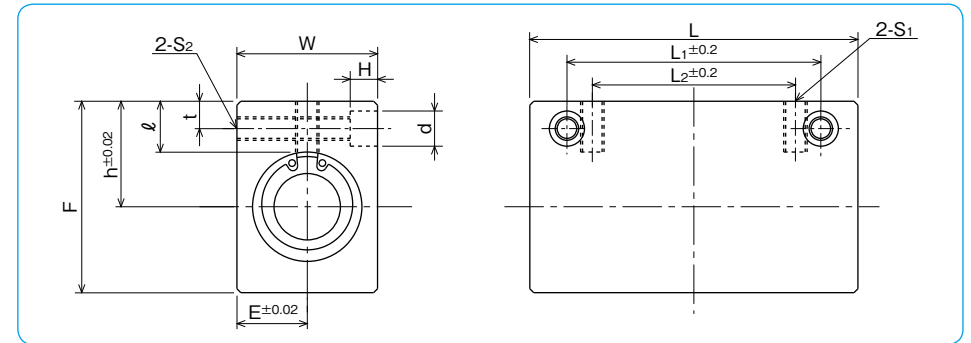
part number structure

example **AK 25 R W**

AK-R type

double type

inner contact diameter



part number	inner contact diameter		major dimensions														basic load rating		allowable revolutions per minute	mass
			outer dimensions					mounting dimensions									dynamic	static		
			h	E	W	L	F	L ₂	S ₁	ℓ	L ₁	t	S ₂	d	H	C	Co			
AK 6RW	6		14	8	16	46	22	20	M4	8	30	5	M4	6	5	126	352	300	48	
AK 8RW	8	+4	16	10	20	56	26	30	M5	8.5	42	5	M4	6	5	222	628	300	89	
AK10RW	10	-5	19	13	26	68	32	36	M6	9.5	50	6	M5	8	6	254	744	300	175	
AK12RW	12		20	14	28	70	34	36	M6	9.5	50	6	M5	8	6	444	1,180	300	196	
AK13RW	13	+3	25	15	30	74	43	42	M6	13.5	55	7	M6	9	7	523	1,370	300	281	
AK16RW	16	-6	27	18	36	84	49	52	M6	13	65	7	M6	9	7	731	1,760	250	450	
AK20RW	20		31	21	42	94	54	58	M8	15	70	8	M8	11	8	1,050	2,360	250	626	
AK25RW	25	+3	37	26	52	128	65	80	M10	17	100	9	M10	14	10	1,430	3,720	250	1,299	
AK30RW	30	-7	40	29	58	138	71	90	M10	17.5	110	9	M10	14	10	1,910	5,300	200	1,662	

1N≒0.102kgf

SMP-R TYPE

—Pillow Block type—



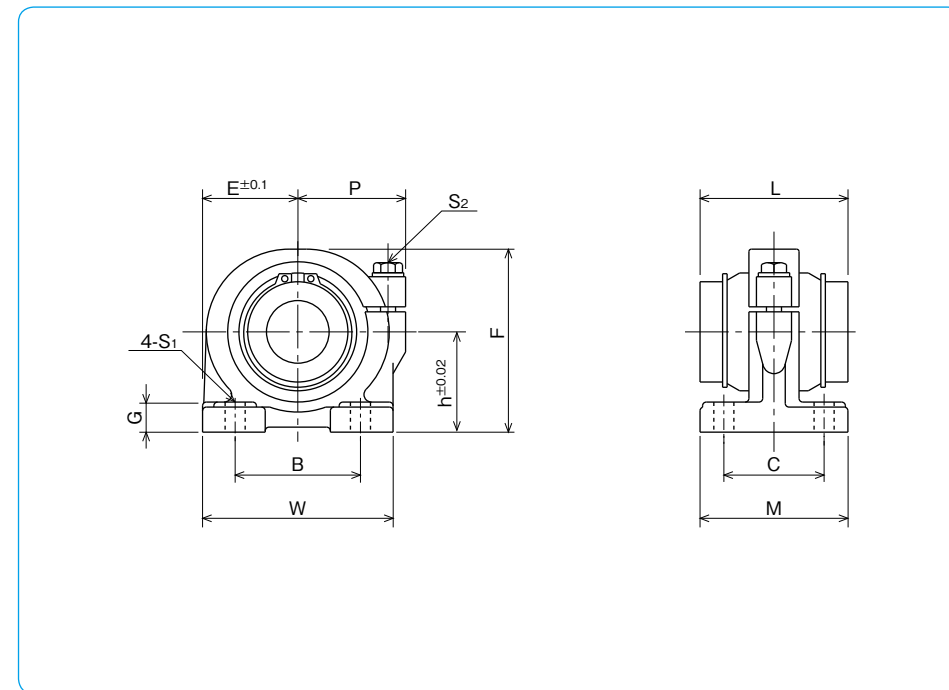
part number structure

example **SMP 25 R**

SMP-R type

inner contact diameter

part number	inner contact diameter		major dimensions						
	mm	tolerance μm	h mm	E mm	W mm	outer dimensions			
						L mm	F mm	G mm	M mm
SMP13R	13	+3	25	25	50	32	46	8	36
SMP16R	16	-6	29	27.5	55	37	53	10	40
SMP20R	20	+3 -7	34	32.5	65	42	62	12	48
SMP25R	25		40	38	76	59	73	12	59
SMP30R	30	+3/-8	45	42.5	85	64	84	15	69
SMP40R	40		60	62	124	80	112	18	86



P mm	mounting dimensions			adjustment screw size S2	basic load rating		allowable revolutions per minute rpm	mass g	part number
	B mm	C mm	S ₁ mm		dynamic C N	static C ₀ N			
30	30	26	7 (M5)	M5	323	686	300	266	SMP13R
32	35	29	7 (M5)	M5	451	882	250	369	SMP16R
37	40	35	8 (M6)	M6	647	1,180	250	690	SMP20R
43	50	40	8 (M6)	M6	882	1,860	250	970	SMP25R
49	58	46	10 (M8)	M8	1,180	2,650	200	1,420	SMP30R
68	76	64	12 (M10)	M10	1,960	4,020	200	3,585	SMP40R

1N≐0.102kgf

SLIDE ROTARY BUSH RK TYPE

NB's RK type slide rotary bush is a highly accurate and high load capacity bearing providing smooth continuous linear and rotational motions. Its structure imposes no constraints on linear and rotational motions. It is much more compact than a standard slide bush with separate rotational bearing.

STRUCTURE AND ADVANTAGES

The RK type slide rotary bush uses a retainer similar to that used in the SR type stroke bush. This retainer gives a smooth motion in a high rotational application. SM type slide bush is incorporated, providing the stable and smooth linear motion. Relatively large ball elements are used for high load capacity.

1. A smooth unlimited linear and rotational motion is obtained.
2. There is no need to machine separate housing.
3. High accuracy is ensured for extended period of usage.
4. Its high compatibility eliminates replacement problems.
5. High rigidity enables it to withstand an unbalanced load and large load.

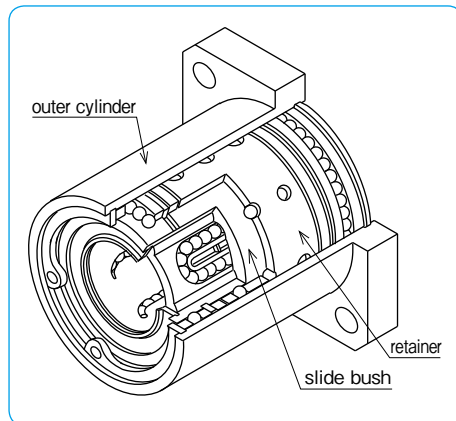
※For best performance, please select tolerance of h5 for the shaft.

Calculation of Life:

$$L = \left(\frac{f_H \cdot f_T \cdot f_C \cdot C}{f_W \cdot P} \right)^3 \times 50$$

L: rated life (km) f_H: hardness coefficient
 f_T: temperature coefficient f_C: contact coefficient
 f_W: applied load coefficient
 C: basic dynamic load rating (N) P: applied load (N)
 ※Refer to page Eng-5 for the coefficients.

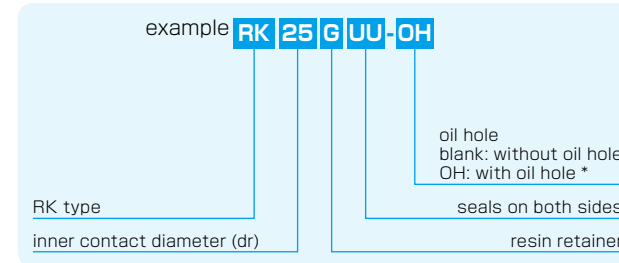
Figure E-6 Structure of RK Slide Rotary Bush



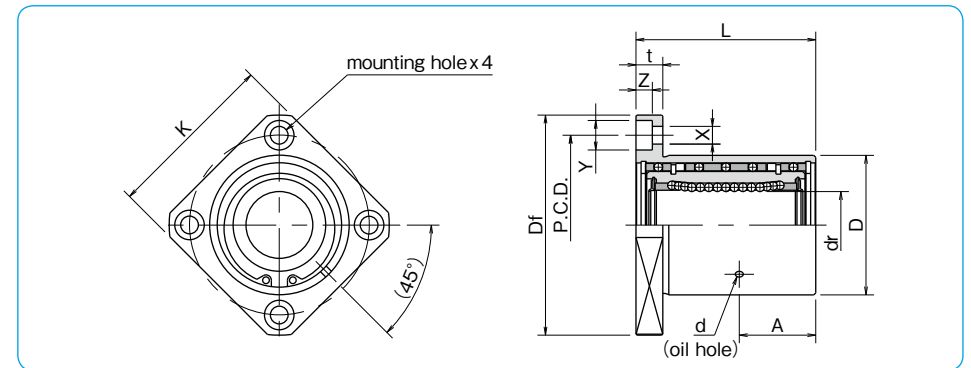
RK TYPE



part number structure



*Oil hole is for rotary-portion lubrication.



part number	major dimensions										basic load rating		allowable revolutions per minute	mass g			
	dr	tolerance	D	tolerance	L	tolerance	A	d	Df	K	t	P.C.D.			X×Y×Z	C	Co
RK12GUU	12	0	32	0	36	±0.3	15	2	54	42	8	43	5.5×9×5.1	510	784	500	180
RK16GUU	16	-9	40	-25	45	±0.3	19.5	2	62	50	8	51	5.5×9×5.1	774	1,180	500	280
RK20GUU	20	0	45	0	50	±0.3	21.5	3	74	58	10	60	6.6×11×6.1	882	1,370	400	420
RK25GUU	25	-10	52	0	67	±0.3	28.5	3	82	64	10	67	6.6×11×6.1	980	1,570	400	680
RK30GUU	30		60	-30	74	±0.3	31	3	96	75	13	78	9×14×8.1	1,570	2,740	400	990

1N≒0.102kgf

SHAFT

SHAFT

The NB shaft can be used in a wide range of applications as a mechanical component from straight shaft to spindle shaft. NB's expertise in machining and heat-treatment turns into manufacturing spindle shaft, roll shaft, and general machinery shaft for rotational motion. NB's high accuracy technology answers various shaft machining requirements.

ADVANTAGES

Advanced Machining Technology

NB performs a wide variety of highly accurate machining processes to provide custom shafting from relatively simple machining, such as tapping and shaft stepping to the more demanding high-speed rotating shafts and spindles. NB can also answer the special grinding and bore machining requirements.

Excellent Wear Resistance

Most commonly used materials are high-carbon chromium bearing steel (SUJ2) and martensite stainless steel (SUS440C or equivalent). NB's advanced heat-treatment technology gives these materials an excellent wear resistance by quenching and tempering to achieve a uniform hardened layer in the circumferential and axial directions. The cross-sectional picture below shows the hardened layer-depth of the NB shaft.

Hardened Layer (cross section)



Surface Roughness

Precision grinding results in a surface roughness of less than 0.4 Ra.

Wide Selection of Shaft Types

- SN type, SNS type, SNT type,
- SNB, SNSB type (Center-lined tapped shaft)
- SNW, SNWS type (Inch shaft)
- SNW-PD, SNWS-PD type (Inch, pre-drilled shaft)
- Spindle shaft, roll shaft

Special Requirements

Based on the customer drawings and specifications NB will answer the customer requirements in material (SCM, SKS etc.), heat-treatment, surface treatment, etc.

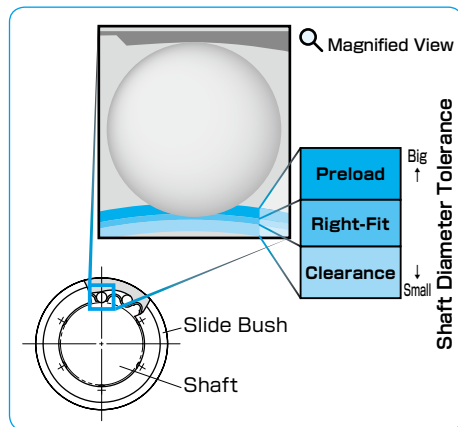
Shaft Supporter and Shaft Support Rail

These components ease the shaft installation and help save the design/assembling time. (refer to page F-14)

FIT Series

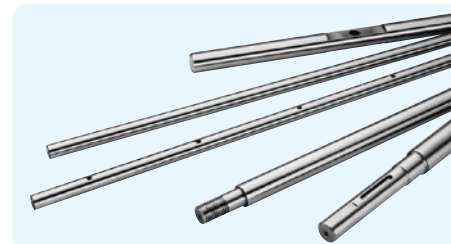
This series achieves the best-fit clearance adjustment between slide bush and shaft. (refer to page F-24)

Figure F-1 Radial Clearance between Slide Bush and Shaft

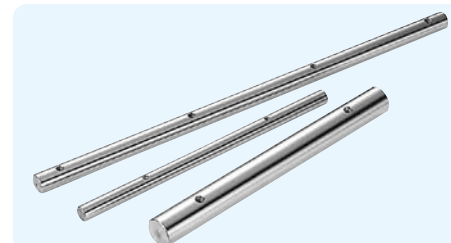


TYPES

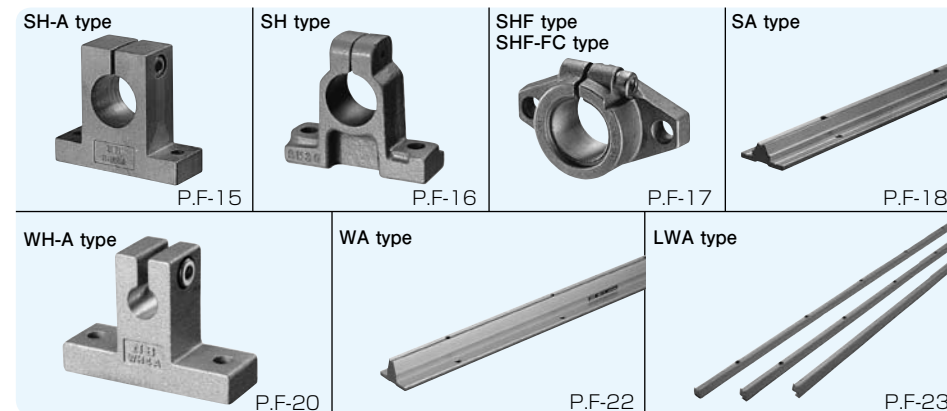
SN/SNS/SNT type (NB Shaft) SNW/SNWS type (Inch Shaft)



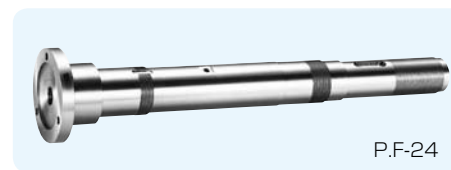
SNB/SNSB type (NB Center-lined Tapped Shaft) SNW-PD/SNWS-PD type (Inch Shaft, Pre-drilled Shaft)



Shaft Supporter and Shaft Support Rail



Special Specifications



NB shaft is a high-precision shaft that can be used with slide bush or any other bearings. A wide range of machining is provided for customer drawings and requirements.

Table F-1 Specifications

type	SN type	SNS type	SNT type
material	SUJ2	equivalent to SUS440C	SUJ2 (hollow shaft)
outer diameter tolerance	g6 or to be specified		
hardness	60HRC or more	56HRC or more	60HRC or more
surface roughness	less than 0.4Ra		
page	page F-6	page F-7	page F-8

Center-lined tapped shafts are standardized series for easy selection that can be used with the SA shaft support rails. (refer to page F-18)

Table F-2 Specifications

type	SNB type	SNSB type
material	SUJ2	equivalent to SUS440C
outer diameter tolerance	g6 or to be specified	
hardness	60HRC or more	56HRC or more
surface roughness	less than 0.4Ra	
page	page F-9	

The SNW and SNWS types are inch dimensional shafts with the same specifications as SN/SNS type. (refer to page F-10,11) SNW-PD and SNWS-PD types are standardized series that can be used with the WA shaft support rails. (refer to page F-12,13,22)

Based on drawings and specifications NB manufactures spindle shafts, roll shafts that are for the rotary motion. From material, heat-treatment (hardening/tempering), surface treatment, etc. NB meets customer requirements. Please contact NB for details.

CALCULATION OF DEFLECTION AND DEFLECTION ANGLE

The following formulas are used to obtain the deflection and its angle of the shaft. Typical conditions are listed in Table F-3.

Table F-3 Formulas for Calculating Deflection and Deflection Angle

support method	specification	formula for deflection	formula for deflection angle
1 support support		$\delta_{max} = \frac{P\ell^3}{48EI} = P\ell^3C$	$i_1 = 0$ $i_2 = \frac{P\ell^2}{16EI} = 3P\ell^2C$
2 fixed fixed		$\delta_{max} = \frac{P\ell^3}{192EI} = \frac{1}{4}P\ell^3C$	$i_1 = 0$ $i_2 = 0$
3 support support		$\delta_{max} = \frac{5p\ell^4}{384EI} = \frac{5}{8}p\ell^4C$	$i_2 = \frac{p\ell^3}{24EI} = 2p\ell^3C$
4 fixed fixed		$\delta_{max} = \frac{p\ell^4}{384EI} = \frac{1}{8}p\ell^4C$	$i_2 = 0$
5 support support		$\delta_1 = \frac{Pa^2}{6EI} \left(2 + \frac{3b}{a} \right) = 8Pa^3 \left(2 + \frac{3b}{a} \right) C$ $\delta_{max} = \frac{Pa^3}{24EI} \left(\frac{3\ell^2}{a^2} - 4 \right) = 2Pa^3 \left(\frac{3\ell^2}{a^2} - 4 \right) C$	$i_1 = \frac{Pab}{2EI} = 24PabC$ $i_2 = \frac{Pa(a+b)}{2EI} = 24Pa(a+b)C$
6 fixed fixed		$\delta_1 = \frac{Pa^2}{6EI} \left(2 - \frac{3a}{\ell} \right) = 8Pa^3 \left(2 - \frac{3a}{\ell} \right) C$ $\delta_{max} = \frac{Pa^3}{24EI} \left(2 + \frac{3b}{a} \right) = 2Pa^3 \left(2 + \frac{3b}{a} \right) C$	$i_1 = \frac{Pa^2b}{2EI\ell} = \frac{24Pa^2bC}{\ell}$ $i_2 = 0$
7 fixed free		$\delta_{max} = \frac{P\ell^3}{3EI} = 16P\ell^3C$	$i_1 = \frac{P\ell^2}{2EI} = 24P\ell^2C$ $i_2 = 0$
8 fixed free		$\delta_{max} = \frac{p\ell^4}{8EI} = 6p\ell^4C$	$i_1 = \frac{p\ell^3}{6EI} = 8p\ell^3C$ $i_2 = 0$
9 support support		$\delta_{max} = \frac{\sqrt{3}Mo\ell^2}{216EI} = \frac{2\sqrt{3}}{9}Mo\ell^2C$	$i_1 = \frac{Mo\ell}{12EI} = 4Mo\ell C$ $i_2 = \frac{Mo\ell}{24EI} = 2Mo\ell C$
10 fixed fixed		$\delta_{max} = \frac{Mo\ell^2}{216EI} = \frac{2}{9}Mo\ell^2C$	$i_1 = \frac{Mo\ell}{16EI} = 3Mo\ell C$ $i_2 = 0$

δ_1 : deflection at the concentrated load point (mm) δ_{max} : maximum deflection (mm) i_1 : deflection angle at the concentrated load point (rad)
 i_2 : deflection angle at the support point (rad) Mo : moment (N·mm) P : concentrated load (N)
 p : uniformly distributed load (N/mm) a, b : concentrated load point distance (mm) ℓ : span (mm) I : geometrical moment of inertia (mm⁴)
 E : modulus of direct elasticity (SUJ2) 2.06×10^5 (N/mm²) (SUS) 2.0×10^5 (N/mm²) C : $1/48EI$ (1/N·mm²)

The Geometrical moment of inertia (I) is obtained using the following formulas:

- For solid shaft
- For hollow shaft

$$I = \frac{\pi D^4}{64}$$

$$I = \frac{\pi}{64} (D^4 - d^4)$$

I : geometrical moment of inertia (mm⁴)
 D : outer diameter (mm) d : inner diameter (mm)

The values of the geometrical moment of inertia and C ($=1/48EI$) for NB shafts are listed in Table F-4 and F-5.

Calculation Examples

1. Calculating the maximum deflection of a 30mm shaft with a 500mm span when a concentrated load of 980 N is applied at the mid-point of the shaft ... (neglecting the shaft weight)

- In case the support method is support-support:
 From the given conditions, $P = 980$ N, $\ell = 500$ mm
 From Table F-4, C for an outer diameter of 30 mm, $C = 2.54 \times 10^{-8}$ (N·mm²).
 Substituting these values into the corresponding formula (No. 1) in Table F-3,
 $\delta_{max} = P\ell^3C = 0.31$ (mm)
- In case the support method is fixed-fixed:
 Substituting the values into the corresponding formula (No. 2) given in Table F-3,
 $\delta_{max} = \frac{1}{4}P\ell^3C = 0.08$ (mm)

2. Calculating the maximum deflection of a 60mm shaft with an inner diameter of 32 mm and a 2,000 mm span by its own weight ...

From Table F-5, C for an outer diameter of 60 mm, $C = 1.73 \times 10^{-13}$ (N·mm²)
 The mass per unit length of a shaft with an outer diameter of 60 mm and an inner diameter of 32 mm is 15.9kg/m. Therefore, a uniformly distributed load of 0.156 N/mm is applied. Substituting these values into the formula (No. 3) given in Table F-3.
 $\delta_{max} = \frac{5}{8}p\ell^4C = 0.27$ (mm)

Table F-4 Solid Shaft

outer diameter D (mm)	geometrical moment of inertia I (mm ⁴)	C=1/48EI (1/N·mm ²)
3	3.98	2.54×10^{-8}
4	1.26×10	8.03×10^{-9}
5	3.07×10	3.29×10^{-9}
6	6.36×10	1.59×10^{-9}
8	2.01×10^2	5.03×10^{-10}
10	4.91×10^2	2.06×10^{-10}
12	1.02×10^3	9.91×10^{-11}
13	1.40×10^3	7.22×10^{-11}
15	2.49×10^3	4.06×10^{-11}
16	3.22×10^3	3.14×10^{-11}
20	7.85×10^3	1.29×10^{-11}
25	1.92×10^4	5.27×10^{-12}
30	3.98×10^4	2.54×10^{-12}
35	7.37×10^4	1.37×10^{-12}
40	1.26×10^5	8.03×10^{-13}
50	3.07×10^5	3.29×10^{-13}
60	6.36×10^5	1.59×10^{-13}
80	2.01×10^6	5.03×10^{-14}
100	4.91×10^6	2.06×10^{-14}
120	1.02×10^7	9.91×10^{-15}
150	2.49×10^7	4.06×10^{-15}

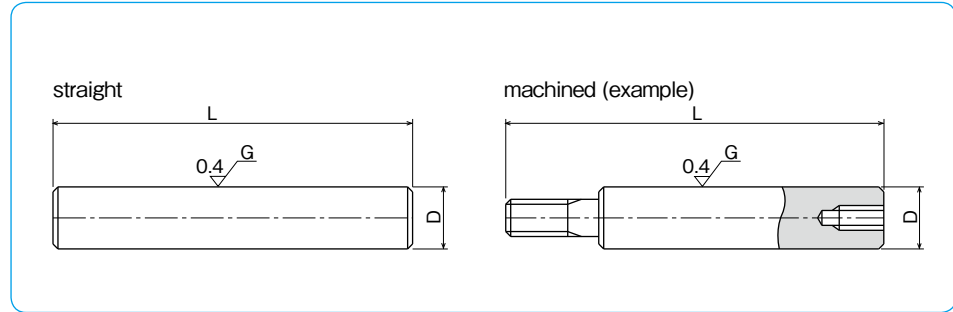
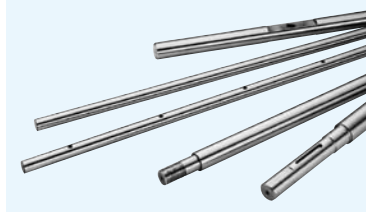
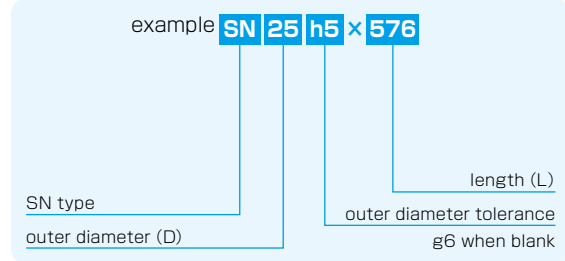
Table F-5 Hollow Shaft

outer diameter D (mm)	inner diameter d (mm)	geometrical moment of inertia I (mm ⁴)	C=1/48EI (1/N·mm ²)
6	2	6.28×10	1.61×10^{-9}
8	3	1.97×10^2	5.13×10^{-10}
10	4	4.78×10^2	2.11×10^{-10}
12	5	9.87×10^2	1.02×10^{-10}
13	6	1.34×10^3	7.55×10^{-11}
16	8	3.02×10^3	3.36×10^{-11}
20	10	7.36×10^3	1.37×10^{-11}
25	15	1.67×10^4	6.06×10^{-12}
30	16	3.65×10^4	2.77×10^{-12}
35	19	6.73×10^4	1.50×10^{-12}
40	20	1.18×10^5	8.57×10^{-13}
50	26	2.84×10^5	3.56×10^{-13}
60	32	5.85×10^5	1.73×10^{-13}
80	48	1.75×10^6	5.78×10^{-14}
100	60	4.27×10^6	2.37×10^{-14}

SN TYPE

- NB Shaft -

part number structure



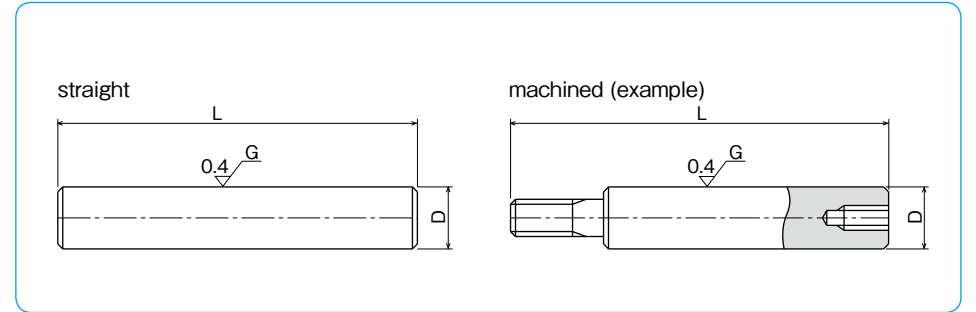
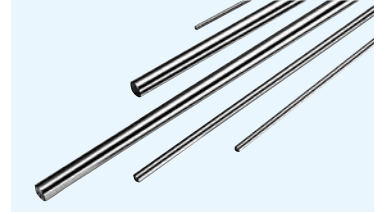
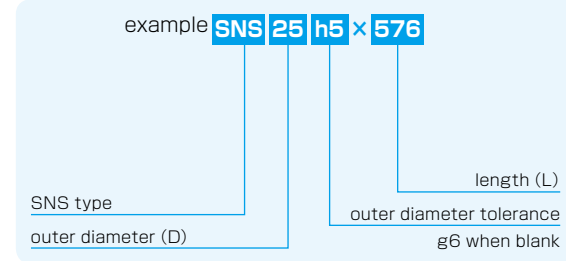
part number	outer diameter D mm	tolerance g6 μm	length L mm		mass Kg/m
			50	400	
SN 3	3	-2/-8	50	400	0.06
SN 4	4	-4	100	500	0.10
SN 5	5	-12	100	700	0.16
SN 6	6	-12	100	1000	0.23
SN 8	8	-5	200	1500	0.40
SN 10	10	-14	200	2000	0.62
SN 12	12	-6	200	3000	0.89
SN 13	13	-6	200	3000	1.04
SN 15	15	-17	300	4000	1.39
SN 16	16	-17	300	4000	1.58
SN 20	20	-7	300	5000	2.47
SN 25	25	-20	300	6000	3.85
SN 30	30	-20	300	6000	5.55
SN 35	35	-9	400	6000	7.55
SN 40	40	-9	400	6000	9.87
SN 50	50	-25	500	6000	15.4
SN 60	60	-10	600	6000	22.2
SN 80	80	-29	800	6000	39.5
SN100	100	-12	1000	6000	61.7
SN120	120	-34	1500	4500	88.8
SN150	150	-14/-39	1500	4500	139

material: high-carbon chromium bearing steel (SUJ2) hardness: 60HRC (HV697) or more
Tolerances other than g6 are available upon request.

SNS TYPE

- NB Stainless Steel Shaft -

part number structure



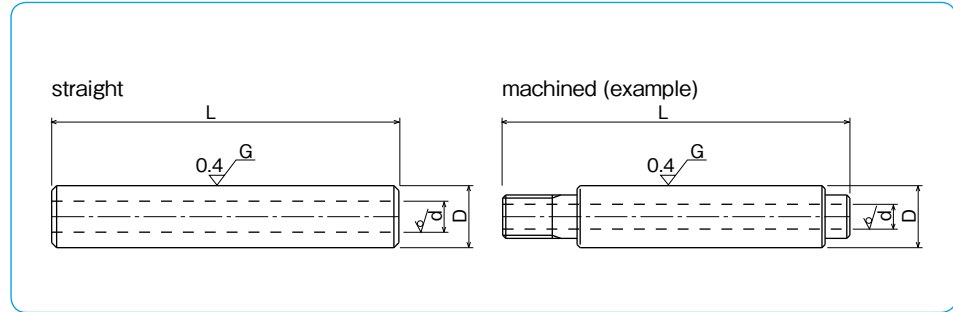
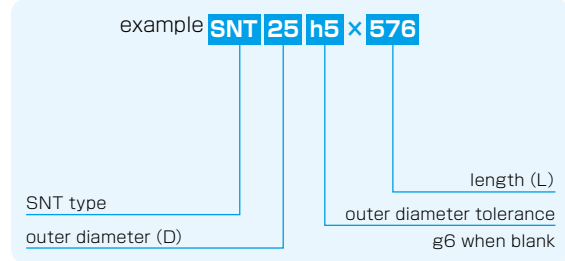
part number	outer diameter D mm	tolerance g6 μm	length L mm		mass Kg/m
			50	300	
SNS 3	3	-2/-8	50	300	0.06
SNS 4	4	-4	100	400	0.10
SNS 5	5	-12	100	500	0.16
SNS 6	6	-12	100	600	0.22
SNS 8	8	-5	200	1000	0.39
SNS 10	10	-14	200	1500	0.61
SNS 12	12	-6	200	2500	0.88
SNS 13	13	-6	200	3000	1.03
SNS 16	16	-17	300	4000	1.56
SNS 20	20	-7	300	5000	2.43
SNS 25	25	-20	300	6000	3.80
SNS 30	30	-20	300	6000	5.48
SNS 35	35	-9	400	6000	7.23
SNS 40	40	-9	400	6000	9.44
SNS 50	50	-25	500	6000	15.2
SNS 60	60	-10	600	6000	21.9
SNS 80	80	-29	800	6000	39.0
SNS100	100	-12/-34	1000	6000	60.9

material: martensite stainless steel (equivalent to SUS440C)
hardness: 56HRC (HV613) or more
The maximum length of hardening is up to 4500mm for shafts with diameter over 80mm.
Tolerances other than g6 are available upon request.

SNT TYPE

— NB Hollow Shaft —

part number structure



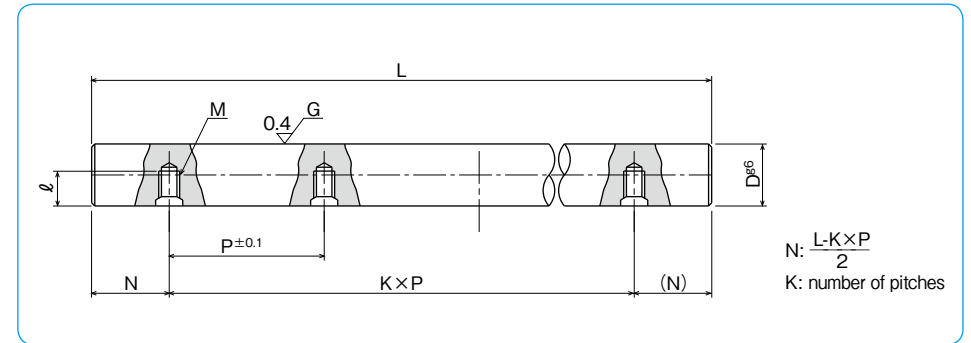
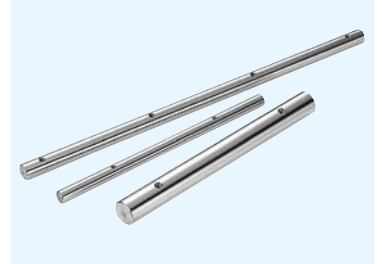
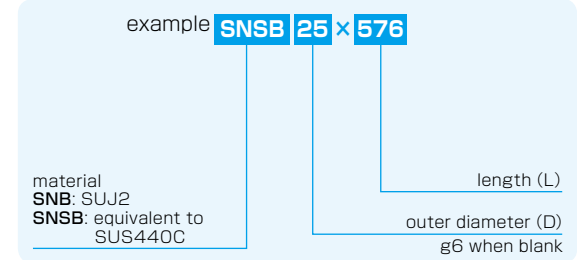
part number	outer diameter		inner diameter	length L		mass
	D	tolerance		L	L	
	mm	g6 μm	d mm	mm	mm	Kg/m
SNT 6	6	-4/-12	2	100 ←	→ 400	0.20
SNT 8	8	-5	3	200 ←	→ 600	0.34
SNT 10	10	-14	4	200 ←	→ 1000	0.52
SNT 12	12	-6	5	200 ←	→ 1500	0.73
SNT 13	13	-6	6	200 ←	→ 1500	0.82
SNT 16	16	-17	8	300 ←	→ 2500	1.18
SNT 20	20	-7	10	300 ←	→ 4000	1.85
SNT 25	25	-20	15	300 ←	→ 4000	2.46
SNT 30	30	-9	16	300 ←	→ 4500	3.97
SNT 35	35	-25	19	400 ←	→ 4500	5.32
SNT 40	40	-9	20	400 ←	→ 4500	7.39
SNT 50	50	-25	26	500 ←	→ 4500	11.3
SNT 60	60	-10	32	600 ←	→ 4500	15.9
SNT 80	80	-29	48	800 ←	→ 4500	25.3
SNT100	100	-12/-34	60	1000 ←	→ 4500	39.5

material: high-carbon chromium bearing steel (SUJ2)
hardness: 60HRC (HV697) or more
Tolerances other than g6 are available upon request.

NB CENTER-LINED TAPPED SHAFT

A larger diameter shaft can overcome problems in maintaining precision functionality when a high or unbalanced load is applied. A combination of the center-lined tapped shaft together with the SA type support rail is ideal in such cases. (see pages F-18,19) The center-lined tapped shaft is standardized to simplify shaft selection.

part number structure



NB Center-Lined Tapped Shaft

part number	outer diameter		pitch	screw size	tap depth	maximum length
	D	tolerance				
	mm	g6* μm	P mm	M	ℓ mm	L _{max} mm
SNB10	10	-5/-14	100	M4	4.5	1,500
SNB12	12	-6	100	M4	5.5	1,800
SNB13	13	-17	100	M4	6	2,000
SNB16	16	-17	150	M5	7	2,000
SNB20	20	-7	150	M6	9	3,000
SNB25	25	-20	200	M6	12	4,000
SNB30	30	-20	200	M8	15	4,500
SNB35	35	-9	200	M8	15	5,000
SNB40	40	-25	300	M8	18	6,000
SNB50	50	-25	300	M10	22	6,000

material: high-carbon chromium bearing steel (SUJ2)
hardness: 60HRC (HV697) or more
*g6 is a standard tolerance of the outer diameter.

NB Center-Lined Tapped Stainless Steel Shaft

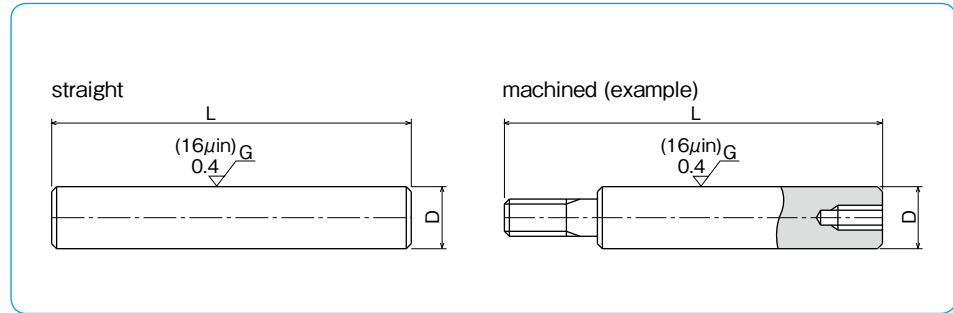
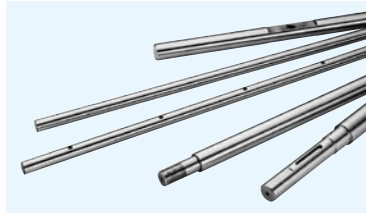
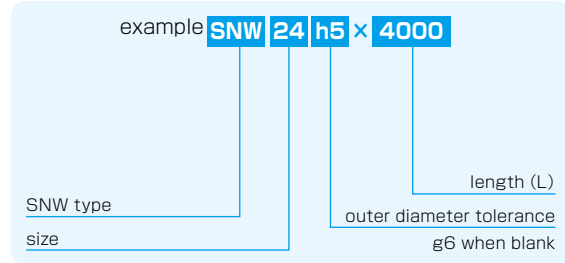
part number	outer diameter		pitch	screw size	tap depth	maximum length
	D	tolerance				
	mm	g6* μm	P mm	M	ℓ mm	L _{max} mm
SNSB16	16	-6/-17	150	M5	7	2,000
SNSB20	20	-7	150	M6	9	3,000
SNSB25	25	-20	200	M6	12	4,000
SNSB30	30	-20	200	M8	15	4,500
SNSB35	35	-9	200	M8	15	5,000
SNSB40	40	-25	300	M8	18	6,000
SNSB50	50	-25	300	M10	22	6,000

material: martensite stainless steel (equivalent to SUS440C)
hardness: 56HRC (HV613) or more
*g6 is a standard tolerance of the outer diameter.

SNW TYPE

– NB Inch Shaft –

part number structure



part number	outer diameter		length L	mass
	D inch mm	tolerance g6 inch/µm		
SNW 4	1/4 6.350	-.0002 -.0006	3.94 100 ← → 39.37 1000	0.014 0.25
SNW 6	3/8 9.525	-5 -14	7.84 200 ← → 59.06 1500	0.031 0.56
SNW 8	1/2 12.700	-.0002 -.0007	7.84 200 ← → 118.11 3000	0.056 0.99
SNW10	5/8 15.875	-6 -17	7.84 200 ← → 157.48 4000	0.086 1.55
SNW12	3/4 19.050	-.0003 -.0008	11.81 300 ← → 157.48 4000	0.125 2.24
SNW16	1 25.400	-7 -20	11.81 300 ← → 157.48 4000	0.222 3.98
SNW20	1-1/4 31.750	-.0004 -.0010	11.81 300 ← → 157.48 4000	0.420 6.22
SNW24	1-1/2 38.100	-9 -25	15.75 400 ← → 157.48 4000	0.500 8.95
SNW32	2 50.800	-.0004 -.0011	19.69 500 ← → 157.48 4000	0.890 15.91
SNW40	2-1/2 63.500	-10 -29	23.62 600 ← → 157.48 4000	1.391 25.00
SNW48	3 76.200	-10 -29	23.62 600 ← → 157.48 4000	2.003 37.92
SNW64	4 101.600	-.0005/-0013 -12/-34	39.37 1000 ← → 157.48 4000	3.560 64.02

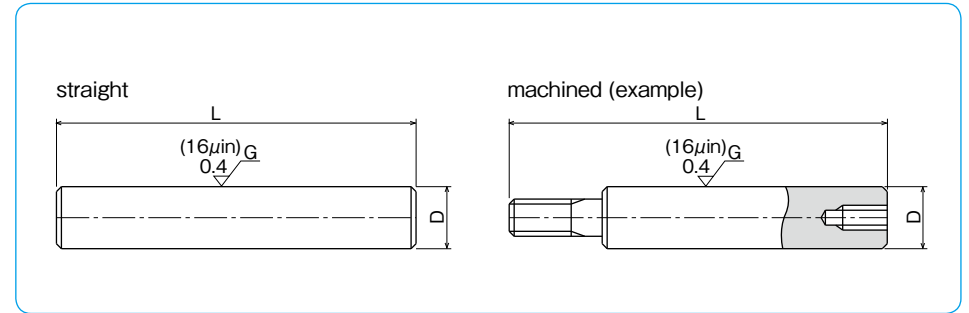
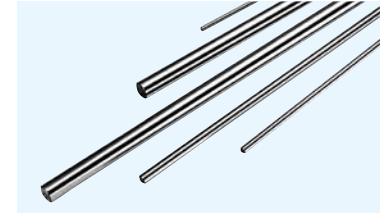
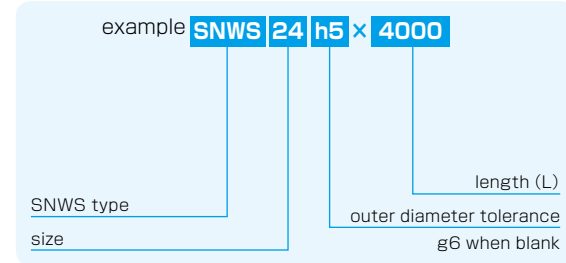
material: high-carbon chromium bearing steel (SUJ2)
hardness: 60HRC (HV697) or more
Tolerances other than g6 are available upon request.

1kg≐2.205lbs

SNWS TYPE

– NB Inch Stainless Steel Shaft –

part number structure



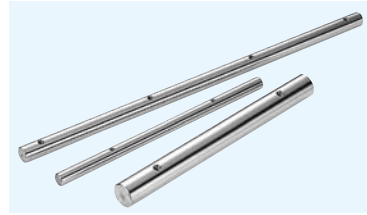
part number	outer diameter		length L	mass
	D inch mm	tolerance g6 inch/µm		
SNWS 4	1/4 6.350	-.0002 -.0006	3.94 100 ← → 23.62 600	0.014 0.25
SNWS 6	3/8 9.525	-5 -14	7.84 200 ← → 39.37 1000	0.031 0.55
SNWS 8	1/2 12.700	-.0002 -.0007	7.84 200 ← → 98.43 2500	0.056 0.98
SNWS10	5/8 15.875	-6 -17	7.84 200 ← → 118.11 3000	0.086 1.54
SNWS12	3/4 19.050	-.0003 -.0008	11.81 300 ← → 157.48 4000	0.125 2.22
SNWS16	1 25.400	-7 -20	11.81 300 ← → 157.48 4000	0.222 3.95
SNWS20	1-1/4 31.750	-.0004 -.0010	11.81 300 ← → 157.48 4000	0.420 6.16
SNWS24	1-1/2 38.100	-9 -25	15.75 400 ← → 157.48 4000	0.500 8.88
SNWS32	2 50.800	-.0004/-0011 -10/-29	19.69 500 ← → 157.48 4000	0.890 15.78

material: martensite stainless steel (equivalent to SUS440C)
hardness: 56HRC (HV613) or more
Tolerances other than g6 are available upon request.

1kg≐2.205lbs

SNW-PD

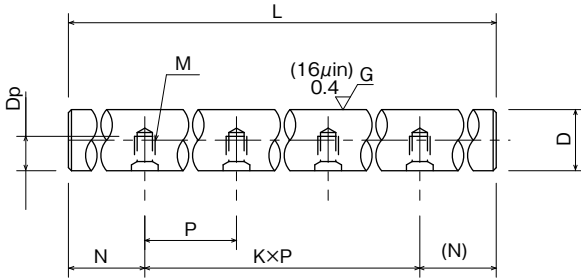
– NB Inch Pre-Drilled Shaft –



part number structure

example **SNW 24 h5 x 72 - PD**

SNW type
size
outer diameter tolerance
g6 when blank
length (L in inches)
pre-drilled shaft



$$N: \frac{L-K \times P}{2}$$

K: number of pitches

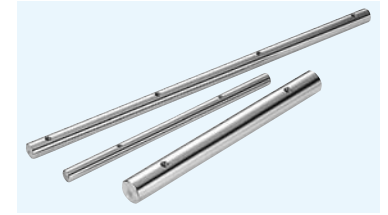
part number	outer diameter		pitch P inch/mm	bolt size M	tapped hole depth Dp inch/mm	maximum length L inch/mm
	D inch mm	tolerance g6* inch/µm				
SNW 8-PD	1/2 12.700	-.0002 -.0007	4 101.6	# 6-32	0.280 7.1	72 1,828.8
SNW10-PD	5/8 15.875	-6 -17			0.350 8.9	
SNW12-PD	3/4 19.050	-.0003 -.0008	# 10-32	0.400 10.2		
SNW16-PD	1 25.400	-7 -20		0.500 12.7		
SNW20-PD	1-1/4 31.750	-.0004 -.0010	5/16-18	0.650 16.5		
SNW24-PD	1-1/2 38.100	-9 -25	3/8-16	0.700 17.8		
SNW32-PD	2 50.800	-.0004/-0.0011 -10/-29	8 203.2	1/2-13	0.850 21.6	

material: high-carbon chromium bearing steel (SUJ2)
hardness: 60HRC (HV697) or more
Tolerances other than *g6 are available upon request.
Longer lengths are also available.

1kg≒2.205lbs

SNWS-PD

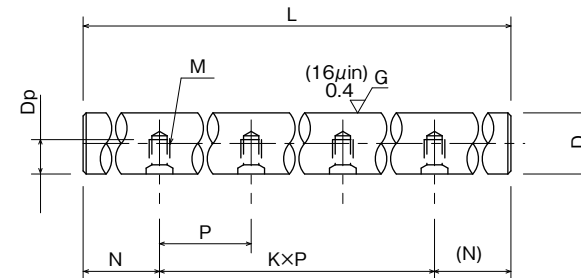
– NB Inch Pre-Drilled Stainless Steel Shaft –



part number structure

example **SNWS 24 h5 x 72 - PD**

SNWS type
size
outer diameter tolerance
g6 when blank
length (L in inches)
pre-drilled shaft



$$N: \frac{L-K \times P}{2}$$

K: number of pitches

part number	outer diameter		pitch P inch/mm	bolt size M	tapped hole depth Dp inch/mm	maximum length L inch/mm
	D inch mm	tolerance g6* inch/µm				
SNWS 12-PD	3/4 19.050	-.0003 -.0008	6 152.4	#10-32	0.400 10.2	72 1,828.8
SNWS 16-PD	1 25.400	-7 -20			0.500 12.7	
SNWS20-PD	1-1/4 31.750	-.0004 -.0010	8 203.2	5/16-18	0.650 16.5	
SNWS24-PD	1-1/2 38.100	-9 -25		3/8-16	0.700 17.8	
SNWS32-PD	2 50.800	-.0004/-0.0011 -10/-29	1/2-13	0.850 21.6		

material: martensite stainless steel (equivalent to SUS440C)
hardness: 56HRC (HV613) or more
Tolerances other than *g6 are available upon request.
Longer lengths are also available.

SHAFT SUPPORTER AND SHAFT SUPPORT RAIL

These components save design/assembling time and ease shaft installation.

SH·SH-A·WH-A type

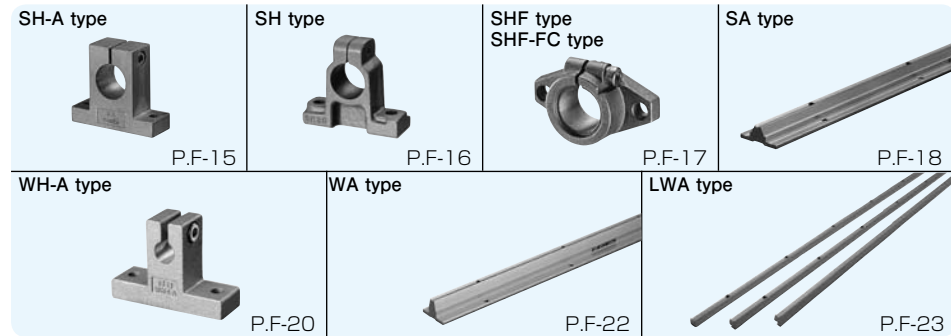
These are most commonly used compact shaft supporters. SH type is made of cast iron and SH-A/WH-A type is made of aluminum alloy.

SHF·SHF-FC type

These are flanged type shaft supporters for a compact design. SHF is made of aluminum alloy and SHF-FC (shaft diameter 35 and over) is made of cast iron.

SA·WA·LWA type (shaft support rail)

These support rails support shafts from below to avoid shaft deflection for a long-stroke/high load application. This type is made of aluminum alloy.



ACCURACY

The accuracy of the SA support rails are measured as shown in Figure F-2.

Figure F-2 Measurement Method

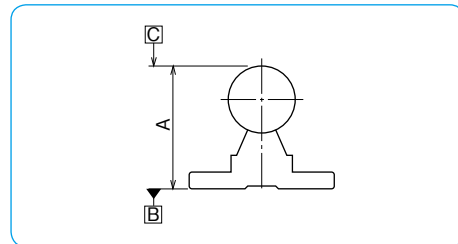
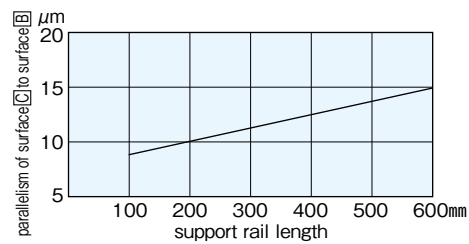
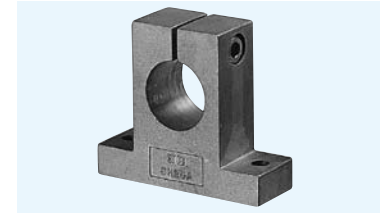


Figure F-3 Accuracy of SA type Support Rail

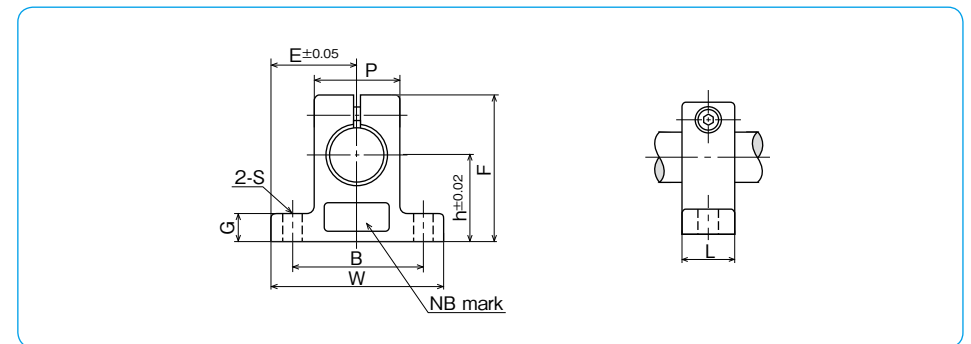
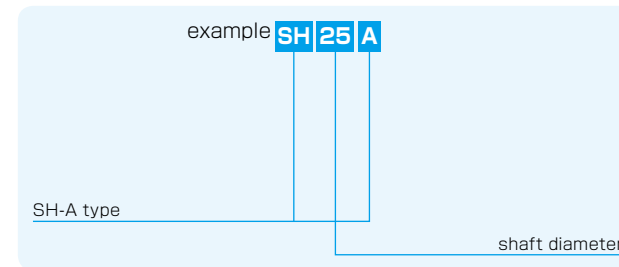


SH-A TYPE

– Shaft Supporter –



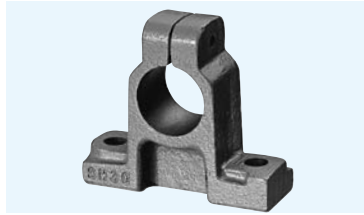
part number structure



part number	shaft diameter mm	major dimensions									tightening screw size	recommended torque N·m	mass g
		h mm	E mm	W mm	L mm	F mm	G mm	P mm	B mm	S mm			
SH 8A	8	20	21	42	14	32.8	6	18	32	5.5 (M5)	M4	2	24
SH10A	10	20	21	42	14	32.8	6	18	32	5.5 (M5)	M4	2	24
SH12A	12	23	21	42	14	37.5	6	20	32	5.5 (M5)	M4	2	30
SH13A	13	23	21	42	14	37.5	6	20	32	5.5 (M5)	M4	2	30
SH16A	16	27	24	48	16	44	8	25	38	5.5 (M5)	M4	2	40
SH20A	20	31	30	60	20	51	10	30	45	6.6 (M6)	M5	3	70
SH25A	25	35	35	70	24	60	12	38	56	6.6 (M6)	M6	5.5	130
SH30A	30	42	42	84	28	70	12	44	64	9 (M8)	M6	5.5	180
SH35A	35	50	49	98	32	82	15	50	74	11 (M10)	M8	13.5	270
SH40A	40	60	57	114	36	96	15	60	90	11 (M10)	M8	13.5	420
SH50A	50	70	63	126	40	120	18	74	100	14 (M12)	M12	29	750
SH60A	60	80	74	148	45	136	18	90	120	14 (M12)	M12	29	1,100

SH TYPE

– Shaft Supporter –

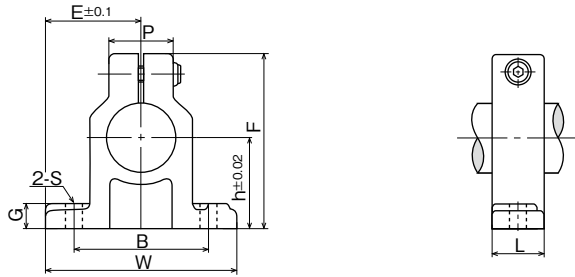


part number structure

example **SH 25**

SH type

shaft diameter



part number	shaft diameter mm	major dimensions										tightening screw		mass g
		h mm	E mm	W mm	L mm	F mm	G mm	P mm	B mm	S mm	size	recommended torque N · m		
SH10	10	20	22	44	15	35	7	19	32	4.5 (M4)	M4	2	80	
SH13	13	23	25	50	17	40	8	17	32	7 (M5)	M4	2	120	
SH16	16	27	27.5	55	17	45	10	16	38	7 (M5)	M4	2	120	
SH20	20	31	32.5	65	20	53	12	22	45	8 (M6)	M5	3	190	
SH25	25	35	38	76	24	61	12	24	56	8 (M6)	M6	5.5	300	
SH30	30	42	42.5	85	28	73	15	28	64	10 (M8)	M6	5.5	490	
SH35	35	50	50	100	32	87	15	34	74	12 (M10)	M8	13.5	690	
SH40	40	60	60	120	36	104	18	38	90	12 (M10)	M10	29	1,200	
SH50	50	70	70	140	40	122	20	48	100	14 (M12)	M12	29	1,700	
SH60	60	80	82.5	165	45	140	23	58	120	14 (M12)	M12	29	2,500	

SHF TYPE

– Shaft Supporter Flange Type –



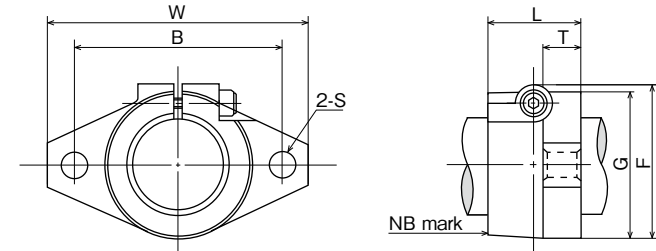
part number structure

example **SHF 35 FC**

SHF type

shaft diameter

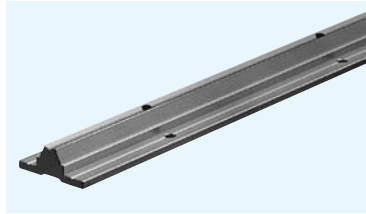
blank: aluminum alloy
FC: cast iron



part number		shaft diameter mm	major dimensions								tightening screw		mass	
aluminum alloy	cast iron		W mm	L mm	T mm	F mm	G mm	B mm	S mm	size	recommended torque N · m	aluminum alloy	cast iron	
SHF10	–	10	43	10	5	24	20	32	5.5 (M5)	M4	2	13	–	
SHF12	–	12	47	13	7	28	25	36	5.5 (M5)	M4	2	20	–	
SHF13	–	13	47	13	7	28	25	36	5.5 (M5)	M4	2	20	–	
SHF16	–	16	50	16	8	31	28	40	5.5 (M5)	M4	2	27	–	
SHF20	–	20	60	20	8	37	34	48	7 (M6)	M5	3	40	–	
SHF25	–	25	70	25	10	42	40	56	7 (M6)	M5	3	60	–	
SHF30	–	30	80	30	12	50	46	64	9 (M8)	M6	5.5	110	–	
SHF35	SHF35FC	35	92	35	14	58	50	72	12 (M10)	M8	13.5	140	380	
SHF40	SHF40FC	40	102	40	16	67	56	80	12 (M10)	M10	29	205	510	
SHF50	SHF50FC	50	122	50	19	83	70	96	14 (M12)	M12	29	360	890	
SHF60	SHF60FC	60	140	60	23	95	82	112	14 (M12)	M12	29	530	1,500	

SA TYPE

– Shaft Support Rail –



part number structure

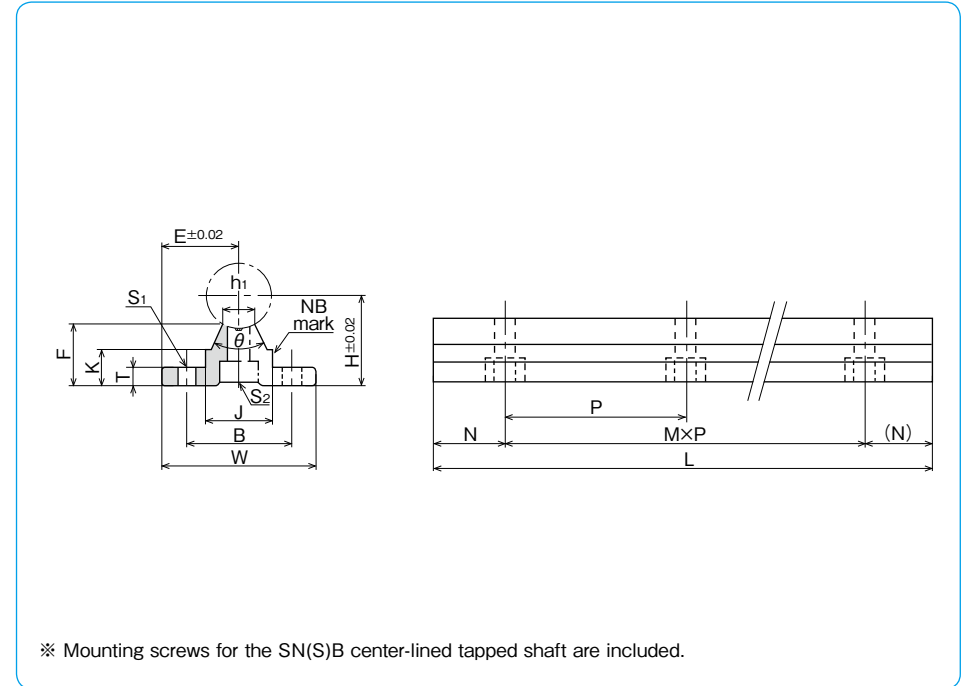
example SA 25-500

SA type

shaft diameter

total length

part number	shaft diameter mm	major dimensions													mass g			
		H	E	W	L	F	T	K	J	h ₁	θ	B	N	M×P		S ₁	S ₂	
SA10-200	10	18	16	32	200	13.5	4	8.9	12.4	4.7	80°	22	50	1×100	4.5	M4	110	
SA10-300					300								50	2×100				160
SA10-400					400								50	3×100				220
SA10-500					500								50	4×100				270
SA10-600					600								50	5×100				330
SA13-200	13	21	17	34	200	15	4.5	9.8	15	6	80°	25	50	1×100	4.5	M4	140	
SA13-300					300								50	2×100				210
SA13-400					400								50	3×100				280
SA13-500					500								50	4×100				350
SA13-600					600								50	5×100				420
SA16-200	16	25	20	40	200	17.8	5	11.7	18.5	8	80°	30	25	1×150	5.5	M5	200	
SA16-300					300								75	1×150				300
SA16-400					400								50	2×150				400
SA16-500					500								25	3×150				500
SA16-600					600								75	3×150				600
SA20-200	20	27	22.5	45	200	17.7	5	10	19	8	50°	30	25	1×150	5.5	M6	200	
SA20-300					300								75	1×150				300
SA20-400					400								50	2×150				400
SA20-500					500								25	3×150				510
SA20-600					600								75	3×150				610
SA25-200	25	33	27.5	55	200	21	6	12	21.5	8	50°	35	25	1×150	6.5	M6	290	
SA25-300					300								50	1×200				430
SA25-400					400								100	1×200				580
SA25-500					500								50	2×200				730
SA25-600					600								100	2×200				880

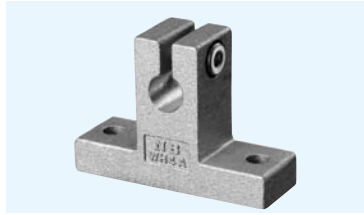


※ Mounting screws for the SN(S)B center-lined tapped shaft are included.

part number	shaft diameter mm	major dimensions													mass g			
		H	E	W	L	F	T	K	J	h ₁	θ	B	N	M×P		S ₁	S ₂	
SA30-200	30	37	30	60	200	22.8	7	13	26.5	10.3	50°	40	25	1×150	6.5	M8	360	
SA30-300					300								50	1×200				550
SA30-400					400								100	1×200				730
SA30-500					500								50	2×200				920
SA30-600					600								100	2×200				1,100
SA35-200	35	43	32.5	65	200	26.5	8	15.5	28	13	50°	45	25	1×150	9	M8	460	
SA35-300					300								50	1×200				700
SA35-400					400								100	1×200				950
SA35-500					500								50	2×200				1,190
SA35-600					600								100	2×200				1,420
SA40-200	40	48	37.5	75	200	29.4	9	17	38	16	50°	55	25	1×150	9	M8	630	
SA40-300					300								75	1×150				960
SA40-400					400								50	1×300				1,290
SA40-500					500								100	1×300				1,610
SA40-600					600								150	1×300				1,950
SA50-200	50	62	47.5	95	200	38.8	11	21	45	20	50°	70	25	1×150	11	M10	1,000	
SA50-300					300								75	1×150				1,500
SA50-400					400								50	1×300				2,000
SA50-500					500								100	1×300				2,500
SA50-600					600								150	1×300				3,000

WH-A TYPE

– Shaft Supporter –
(Inch Standard)



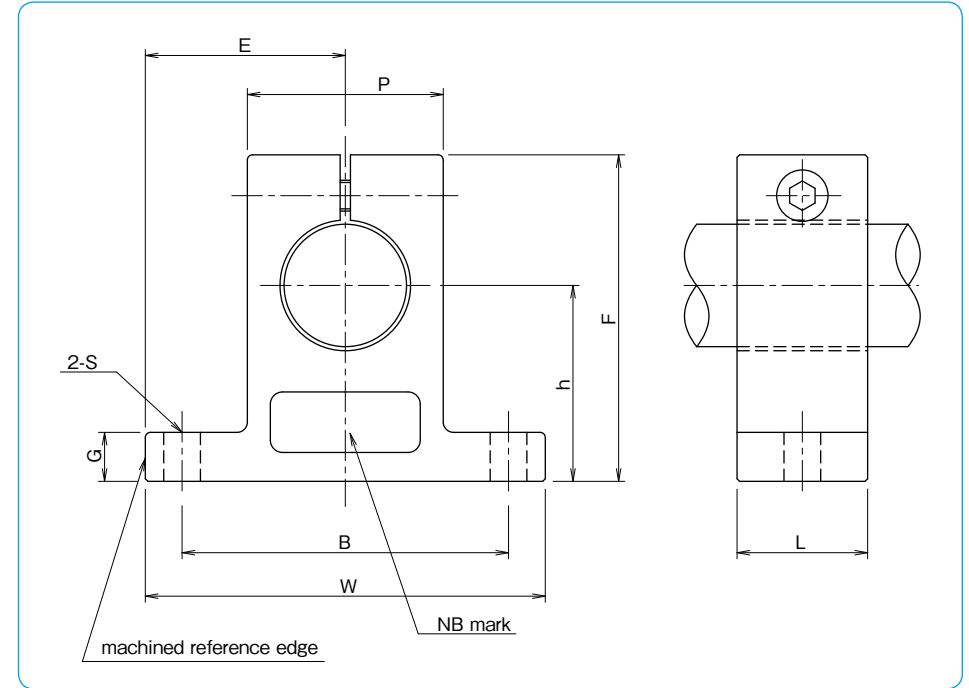
part number structure

example **WH 24 A**

WH-A type

size

part number	shaft diameter inch	major dimensions				
		h ±.001 inch	E ±.005 inch	W inch	L inch	F inch
WH 4A	.2500	.6875	.7500	1.500	.500	1.063
WH 6A	.3750	.7500	.8125	1.625	.563	1.187
WH 8A	.5000	1.0000	1.0000	2.000	.625	1.625
WH 10A	.6250	1.0000	1.2500	2.500	.688	1.750
WH 12A	.7500	1.2500	1.2500	2.500	.750	2.063
WH 16A	1.0000	1.5000	1.5315	3.063	1.000	2.500
WH 20A	1.2500	1.7500	1.8750	3.750	1.125	3.000
WH 24A	1.5000	2.0000	2.1875	4.375	1.250	3.437
WH 32A	2.0000	2.5000	2.7500	5.500	1.500	4.375

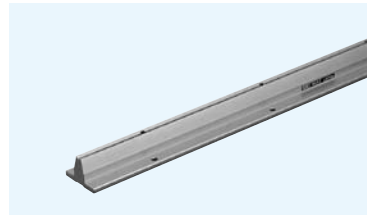


major dimensions					mass lbs	part number
G inch	P inch	B ±.01 inch	S inch	bolt#		
.250	.500	1.125	.156	# 6	.033	WH 4A
.250	.688	1.250	.156	# 6	.044	WH 6A
.250	.875	1.500	.188	# 8	.075	WH 8A
.313	1.000	1.875	.218	# 10	.106	WH 10A
.313	1.250	2.000	.218	# 10	.156	WH 12A
.375	1.500	2.500	.281	1/4	.294	WH 16A
.438	2.000	3.000	.346	5/16	.531	WH 20A
.500	2.250	3.500	.346	5/16	.725	WH 24A
.625	3.000	4.500	.406	3/8	1.400	WH 32A

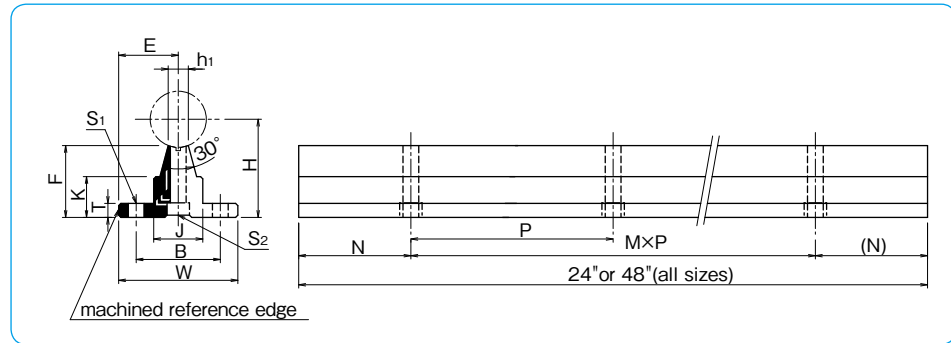
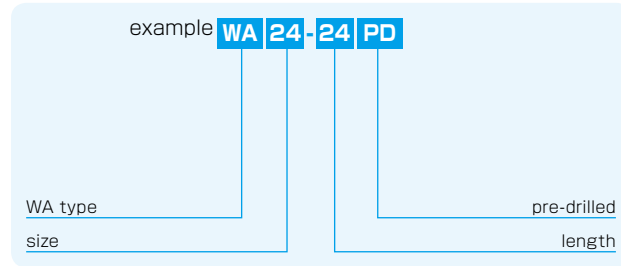
1kg≐2.205lbs
1lb≐0.454kg

WA TYPE

– Shaft Support Rail –
(Inch Standard)



part number structure



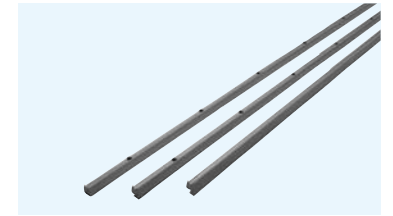
part number	shaft diameter inch	major dimensions								mounting dimensions						mass lbs		
		H ±.001 inch	E ±.005 inch	W inch	F inch	T inch	K inch	J inch	h ₁ inch	B ±.01 inch	N inch	M×P inch	S ₁ hole inch	S ₂ hole inch	S ₁ bolt#		S ₂ bolt#	
WA 8-	24PD	.5000	1.125	.7500	1.500	.903	.188	.466	.500	.255	1.000	2	5×4	.169	#6	.169	#6	1.326
	48PD												11×4					2.652
WA10-	24PD	.6250	1.125	.8125	1.625	.841	.250	.423	.500	.276	1.125	2	5×4	.193	#8	.193	#8	1.488
	48PD												11×4					2.976
WA12-	24PD	.7500	1.500	.8750	1.750	1.158	.250	.592	.625	.322	1.250	3	3×6	.221	#10	.221	#10	2.100
	48PD												7×6					4.200
WA16-	24PD	1.0000	1.750	1.0625	2.125	1.280	.250	.727	.875	.359	1.500	3	3×6	.281	1/4	.281	1/4	2.776
	48PD												7×6					5.552
WA20-	24PD	1.2500	2.125	1.2500	2.500	1.537	.313	.799	1.100	.437	1.875	3	3×6	.343	5/16	.343	5/16	4.060
	48PD												7×6					8.120
WA24-	24PD	1.5000	2.500	1.5000	3.000	1.798	.375	.922	1.375	.558	2.250	4	2×8	.343	5/16	.406	3/8	5.840
	48PD												5×8					11.680
WA32-	24PD	2.0000	3.250	1.8750	3.750	2.322	.500	1.450	1.500	.800	2.750	4	2×8	.406	3/8	.531	1/2	9.500
	48PD												5×8					19.000

All sizes are also available without pre-drilled mounting holes. Complete shaft-rail assemblies are also available as well as custom drilling and lengths. Please send drawings with customer specifications.

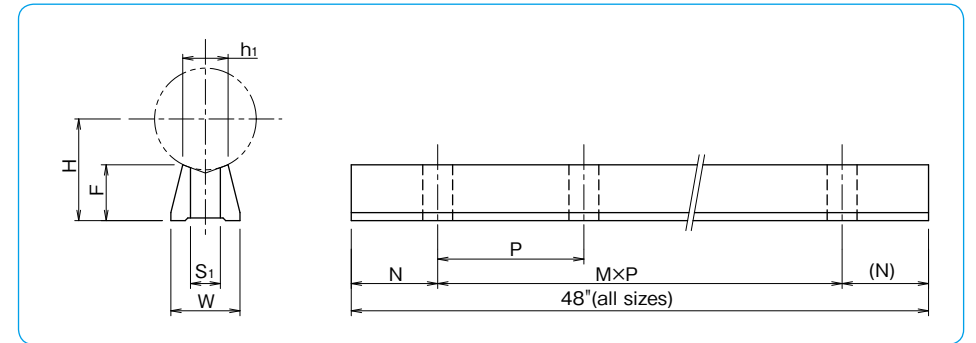
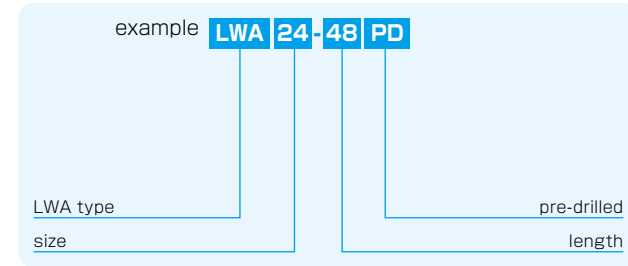
1kg≐2.205lbs
1lb≐0.454kg

LWA TYPE

– Low Shaft Support Rail –
(Inch Standard)



part number structure



part number	shaft diameter inch	major dimensions			major dimensions			S ₁ inch	mass lb
		H ±.002 inch	W inch	F inch	N inch	M×P inch	h ₁ inch		
LWA 8-48 PD	.5000	.5625	.37	.341	2	11×4	.216	.169	0.11
LWA 10-48 PD	.6250	.6875	.45	.405	2	11×4	.269	.193	0.17
LWA 12-48 PD	.7500	.7500	.51	.409	3	7×6	.317	.224	0.20
LWA 16-48 PD	1.0000	1.0000	.69	.545	3	7×6	.422	.281	0.35
LWA 20-48 PD	1.2500	1.1875	.78	.617	3	7×6	.523	.343	0.44
LWA 24-48 PD	1.5000	1.3750	.96	.691	4	5×8	.623	.406	0.58
LWA 32-48 PD	2.0000	1.7500	1.18	.836	4	5×8	.824	.531	0.89

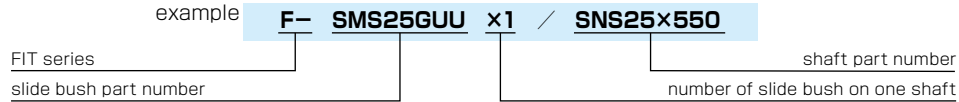
1kg≐2.205lbs
1lb≐0.454kg

FIT SERIES

Due to the combined tolerances of the bush's bore and the shaft's diameter, accuracy can be affected by clearance or increased dynamic friction caused by preloading.

NB's FIT Series takes advantages of the lower cost slide bush and the precision ground shaft to achieve a target clearance in order for the linear system to produce a smooth, high-accuracy performance.

part number structure



- Please refer to corresponding catalog pages for details.
- Please specify on the drawing about the shaft machining, radial clearance, match-marking, etc.

Recommended Radial Clearance

Depending on the type of application, the clearance range varies, please use the chart below as a guideline.

target	clearance (+)	← 0 →	clearance (-)
light motion	[Bar chart showing positive clearance range]		
high accuracy	[Bar chart showing positive and negative clearance range]		
no play	[Bar chart showing negative clearance range]		

Slide Bush, Radial Clearance (-), Negative Limit

Negative clearance is opted to reduce backlash. Please refer to the chart below for the negative clearance limits.

size	3~8	10~13	16~25	30~35	40	50~60
radial clearance limit	-3μm	-4μm	-6μm	-8μm	-10μm	-13μm

- The off-center of the housing causes uneven loading on the slide bush, please pay special attention to the centering of the housing especially when negative clearance is a requirement.
- Please contact NB for details on the extra preloading requirement or on other part numbers like SRE, SR, etc.

RANGE AND SPECIFICATIONS OF MACHINING

NB does shaft-machining based on the customer requirements.

Machining · Grinding

Shafts can be machined and ground up to a diameter of 400mm and a length of 6000mm.

Internal Surface Grinding

The straight/tapered portion of the inner spindle can be ground.

Deep Hole Machining

Non-standard holes can be machined using a gun drill and BT machining methods. (refer to Table F-6)

Table F-6 Deep Hole Machining Range

	hole diameter(mm)	maximum length (mm)
gun drill machining	φ2 ~	850 (single-side machining)
BT machining	φ30 ~	2000 (single-side machining)

Please contact NB for the maximum length versus the hole diameter. Machining is possible up to twice the maximum length listed above for double-side machining.

Thread Grinding

Triangular and trapezoidal threading can be handled.

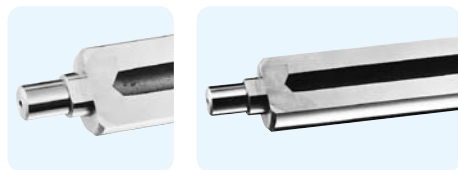
Compatible Parts

Special nuts compatible with a given shaft can be machined. The inner surface and outer diameter of the tapered portion can be ground.

Material and Heat Treatment

NB's non-standard material and non-standard shaped parts can be heat treated. Please specify the heat treatment method, hardness, and heat-treated area.

Gun Drill Machining



F-24

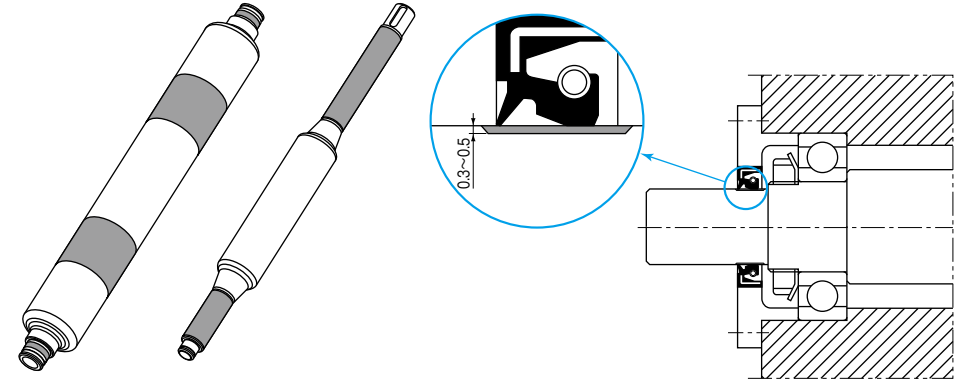
EXAMPLES OF MACHINING

THERMAL-SPRAYING CERAMIC-COATING SPECIFICATIONS

ADVANTAGES

Parts that require wear and corrosion resistance can be thermal-sprayed with a ceramic material per NB's ceramic-coating specifications. Ceramic-coating can be applied to a wide variety of materials. The pores in the coated layer result in good lubrication characteristics and can be sealed to achieve high corrosion resistance.

APPLICATION EXAMPLE



Application of a ceramic coating to oil-sealing parts, rollers, and roll shafts results in good lubrication and high wear/corrosion resistance characteristics.

Note: Ceramic coated surface cannot be used as the inner race for a slide bush.

REFERENCE

Standard Coating Materials

High-carbon chromium bearing steel (SUJ2)	Martensite stainless steel (equivalent to SUS440C)
Chrome molybdenum steel (SCM415, 435)	Austenite stainless steel (SUS303, 304)
Carbon steel for machinery (S45C)	Steel alloy for tools (SKS3, SK4)

Proper heat treatment can be done on your request. Thermal-spraying ceramic-coating is applicable to other materials as well.

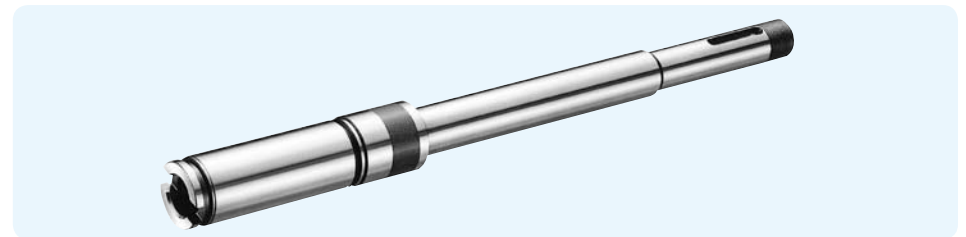
Standard Ceramic for Thermal-Spraying

main component	specific gravity	hardness	characteristics
TiO ₂ titanium dioxide	4.7	58HRC	max. temp. 540°C color: black wear resistant fine coating fine surface finish

thermal-spraying layer thickness: 0.3-0.5mm

Other types of ceramic materials can be thermal-sprayed. Contact NB for more information.

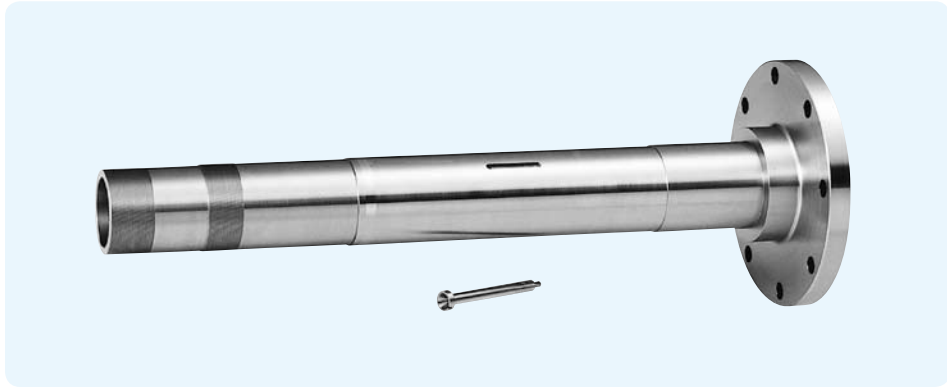
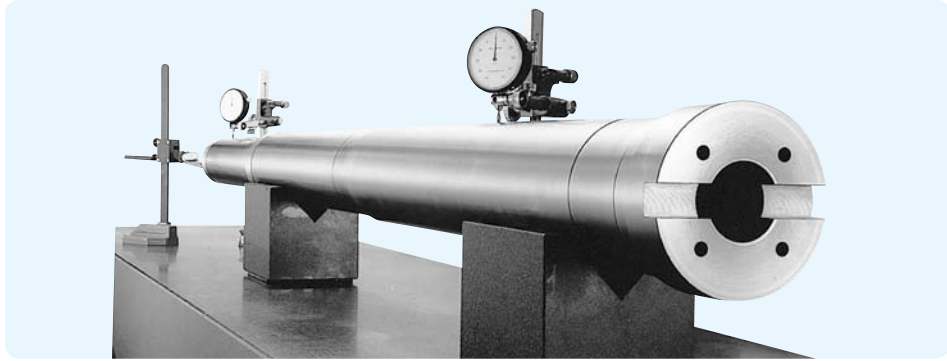
Example of Ceramic Coating



F-25

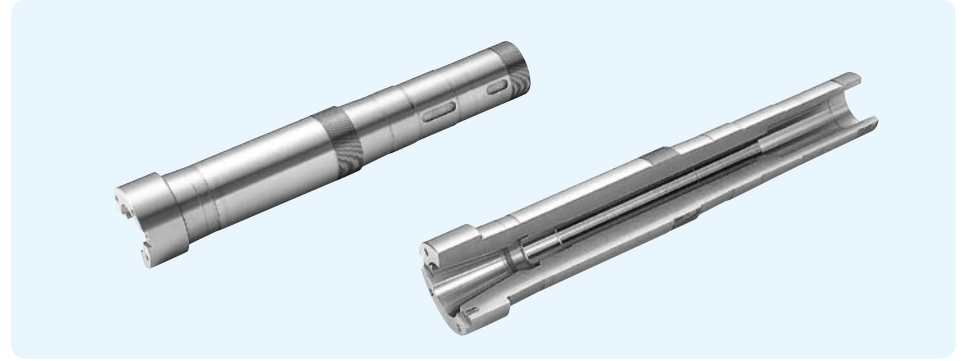
EXAMPLES OF MACHINING

Main Spindle

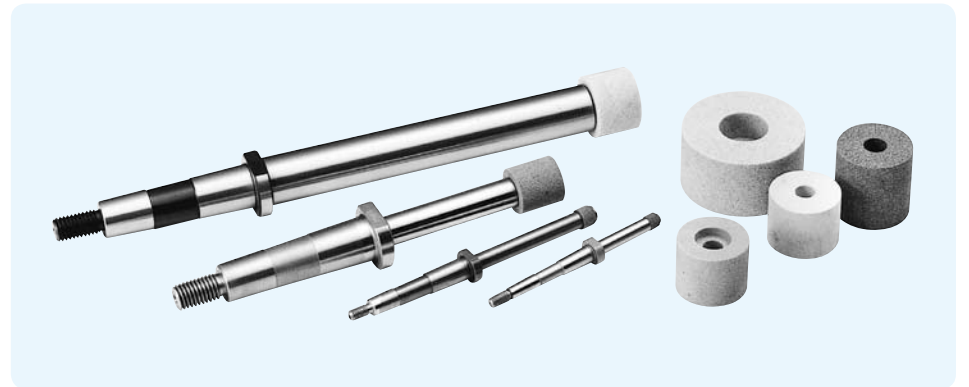


EXAMPLES OF MACHINING

Roll Shaft

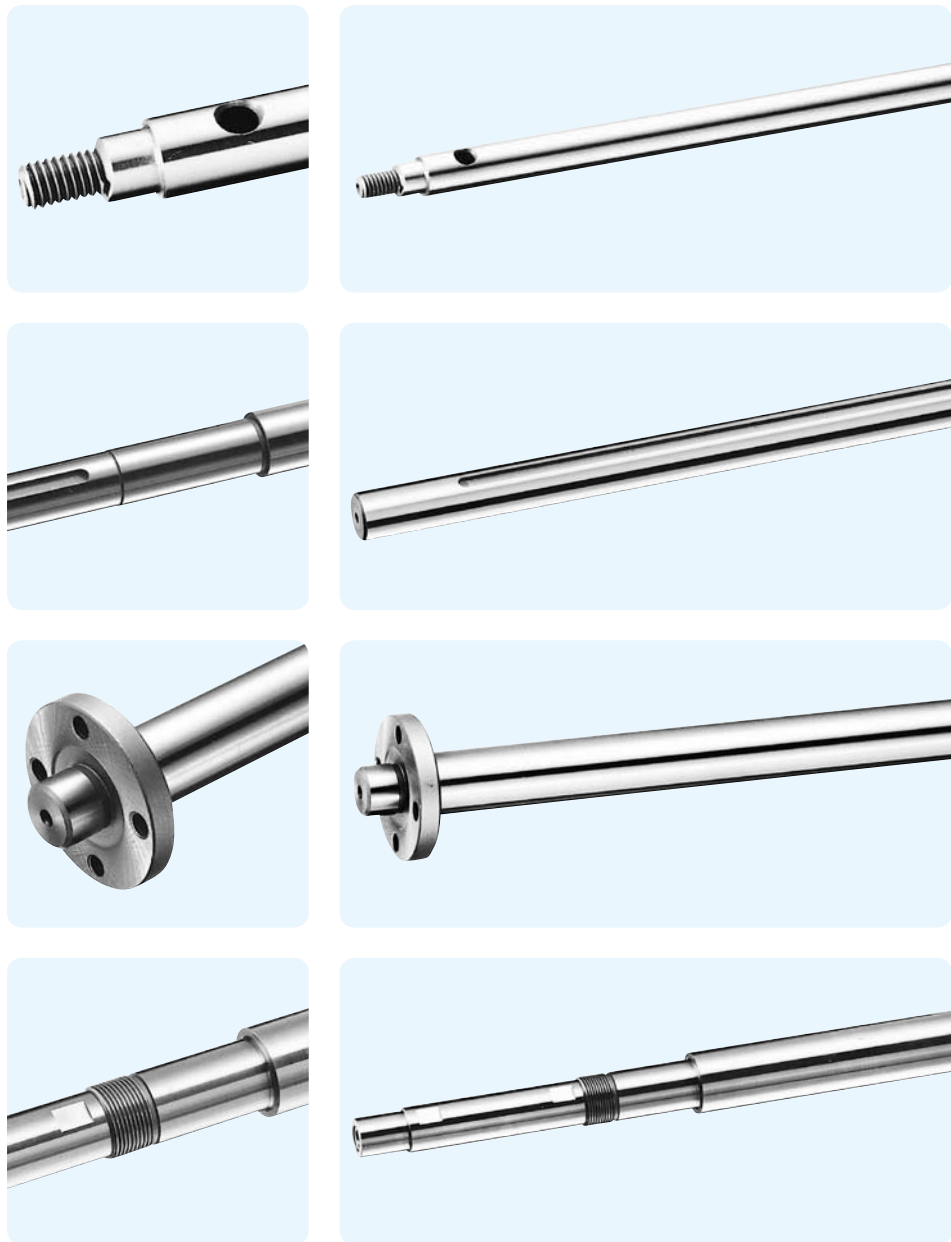


Quill Shaft

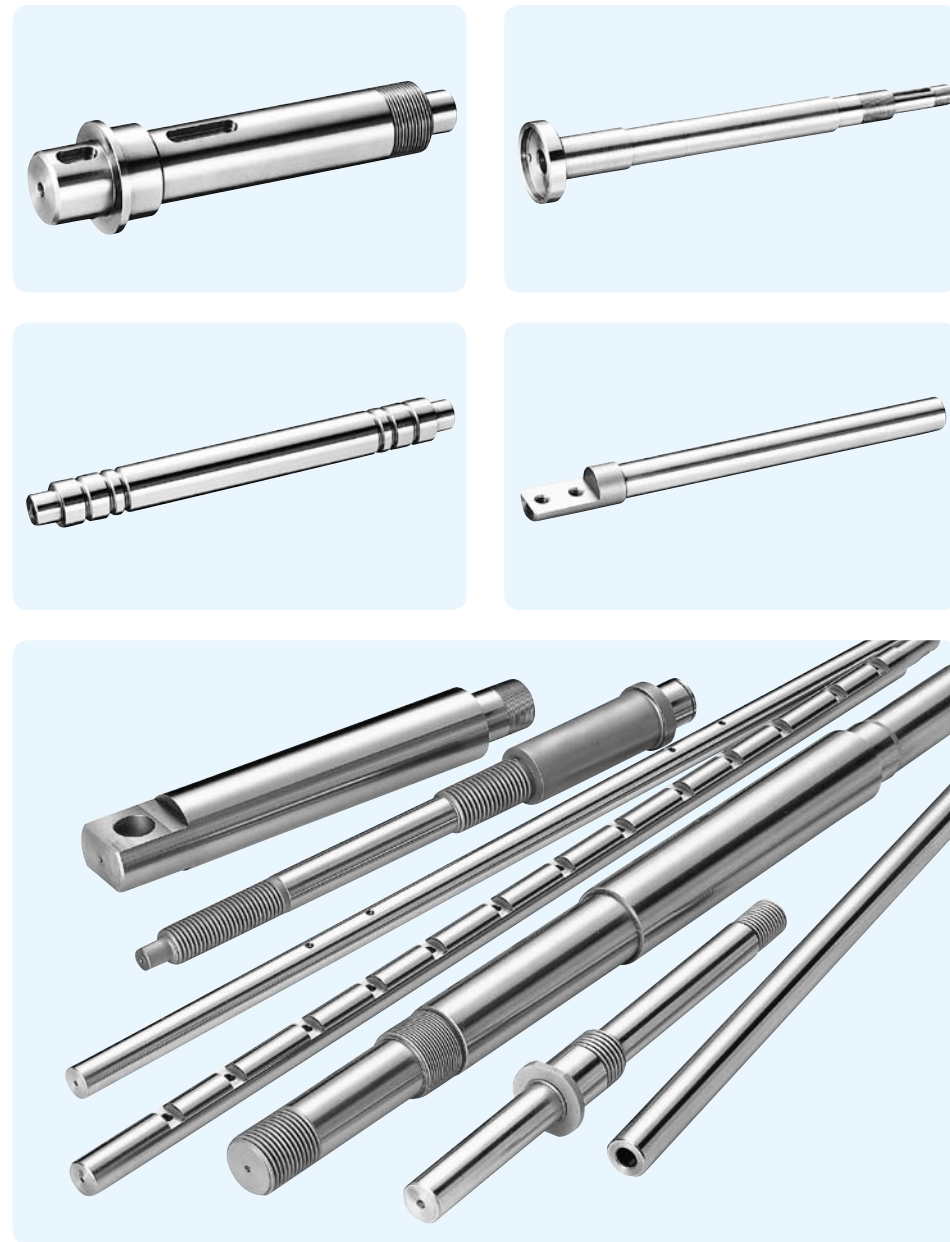


Please send drawings with customer specifications.

EXAMPLES OF MACHINING



EXAMPLES OF MACHINING



Please send drawings with customer specifications.

SLIDE WAY
SLIDE TABLE
**MINIATURE
SLIDE**
GONIO WAY

SLIDE WAY

The NB slide way is a non-recirculating linear motion bearing utilizing precision rollers. It is used primarily in optical and measurement equipment where high precision movement is required.

STRUCTURE AND ADVANTAGES

The NB slide way NV type comprises precisely ground rails and R-retainers with built-in STUDROLLERS and precision rollers. The rails have been optimally designed so that the STUDROLLERS move smoothly, and the STUDROLLERS and precision rollers incorporated in the R-retainers enable slip-free operation between the raceway surface and the rollers resulting in motion with minimal frictional resistance. SV and SVW types consist of precision ground rails and precision caged-rollers. Since caged-rollers do not recirculate, there is only a minimum frictional resistance fluctuation. Also, there is a minimum difference between the static and dynamic frictional resistances.

Non-slip!

STUDROLLER System (Rivet Roller Structure)

The STUDROLLER system is based on a new concept to provide complete prevention of roller cage slippage during operation. This system permits usage in all orientations and positions.

Figure G-1 STUDROLLER System



Suitable for Minute Motion

Because the frictional resistance is extremely small and there is only little difference between the static and dynamic frictional resistances, the NB slide way is well suited for minute motion, resulting in highly accurate linear movement.

Low-Speed Stability

Since the frictional resistance fluctuation is small even under low-load conditions, stable motion is obtained at from low to high speeds.

High Rigidity and High Load Capacity

Compared to the ball elements, the rollers provide a larger contact area and less elastic deformation, thus the NB slide way has high rigidity and high load capacity. With new NV rail design, the roller contact area is increased by 30 to 58% (Figure G-2). The number of effective rollers is increased by narrowing the roller pitch. Thus, the NV type has the load rating that is 1.3 to 2.5 times that of the SV type.

Low Noise

The slide way never produces recirculation noise nor roller-contact noise due to a use of roller cage, resulting in quiet motion.

All Stainless Steel Type Available

The anti-corrosion SVS/SVWS slide ways have all stainless steel components, making them ideal for use in clean room applications.

Figure G-2 Roller Contact Profile

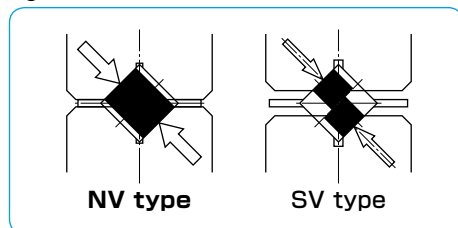


Figure G-3 Structure of NV type

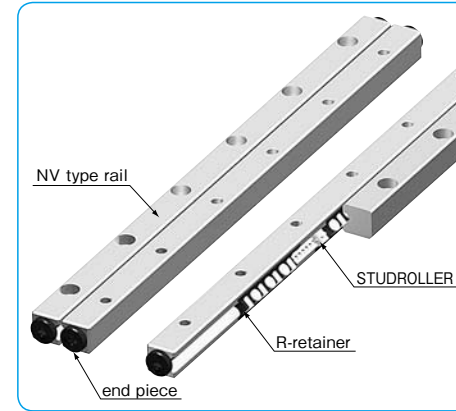
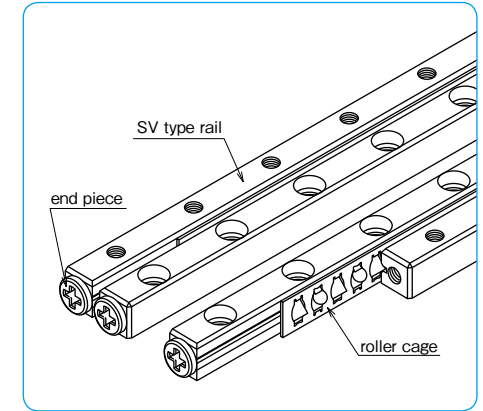


Figure G-4 Structure of SV type



※To the NV type, fastening plates are attached for the purpose of maintaining the center position of the R-retainer before assembly. Please see Installation Procedure on page G-7 and remove the fastening plates before use.

TYPES

NV type



P.G-10

The NV slide way consists of a set of four rails, two R-retainers, and eight end pieces. It permits flexible design of the table which will best suit your application.

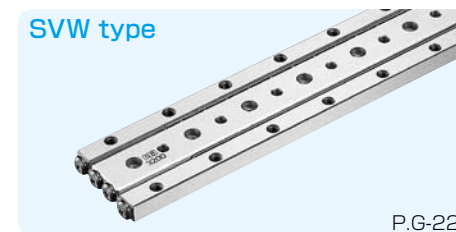
SV type



P.G-14

The SV slide way consists of a set of four rails, two R type roller cages, which have precision rollers in a cross arrangement, and eight end pieces. The all stainless steel option makes it suitable for use in corrosive environments.

SVW type



P.G-22

The SVW slide way consists of two SV-type rails, one W type rail, two R type roller cages, and eight end pieces. The use of a W-type rail serves for a compact design. The SVWS type is also available with all stainless steel components.

ACCURACY

The accuracy of the slide way is represented as parallelism measured across the full length with a method shown in Figure G-6. It is classified as high (blank), precision (P), or ultra precision (UP). Special accuracies can also be accommodated. Please contact NB for details.

Figure G-5 Parallelism

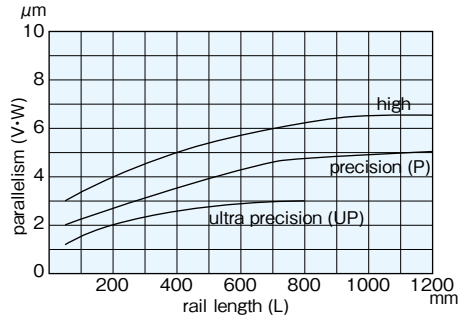
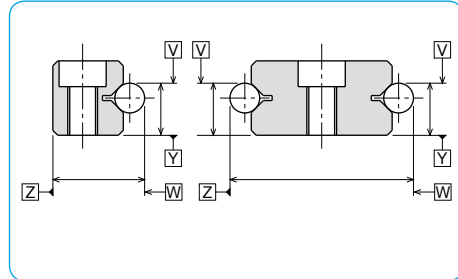


Figure G-6 Accuracy Measurement Method



Ultra precision grade is available from size 1 to size 9.

RATED LIFE

The life of the slide way and the slide table is calculated with the following equations:

Rated Life

$$L = \left(\frac{f_T \cdot C}{f_W \cdot P} \right)^{10/3} \cdot 50$$

L: rated life (km) f_T : temperature coefficient f_W : applied load coefficient
 C: basic dynamic load rating (N) P: applied load (N)
 ※ Please refer to page Eng-5 for the coefficients.

Life Time

$$L_h = \frac{L \cdot 10^3}{2 \cdot l_s \cdot n \cdot 60}$$

L_h : life time (hr) l_s : stroke length (m)
 n: number of cycles per minute (cpm)

LOAD RATING

The load rating for the slide way is obtained using the equations listed in Table G-1.

Table G-1 Load Rating

condition	single-rail usage	single-rail vertical usage	double-rail parallel usage
direction of load			
basic dynamic load rating C	$C = \left(2P \left(\frac{Z}{2} - 1 \right) \right)^{1/36} \cdot \left(\frac{Z}{2} \right)^{3/4} \cdot C_1$	$C = \left(2P \left(\frac{Z}{2} - 1 \right) \right)^{1/36} \cdot \left(\frac{Z}{2} \right)^{3/4} \cdot 2^{7/9} \cdot C_1$	
basic static load rating C_0	$C_0 = \frac{Z}{2} \cdot C_{01}$	$C_0 = \frac{Z}{2} \cdot C_{01} \cdot 2$	
allowable load F	$F = \frac{Z}{2} \cdot F_1$	$F = \frac{Z}{2} \cdot F_1 \cdot 2$	

C: basic dynamic load rating (N) C_0 : basic static load rating (N) F: allowable load (N) C_1 : basic dynamic load rating per roller (N)
 C_{01} : basic static load rating per roller (N) F_1 : allowable load per roller (N)
 Z: number of rollers per cage Z/2: number of effective rollers (round down to whole number) P: roller pitch (mm)

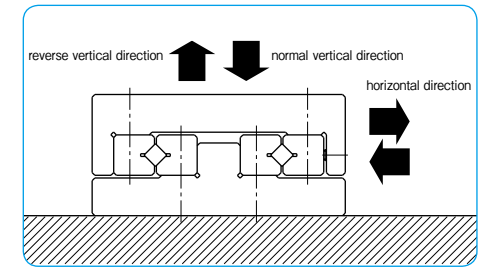
The load rating of the NV type differs depending on the direction of the load.

Table G-2 Change of Load Rating Corresponding to Load Direction

basic dynamic load rating	normal vertical direction	$1.0 \times C$
	horizontal direction	$0.85 \times C$
	reverse vertical direction	$0.7 \times C$
basic static load rating	normal vertical direction	$1.0 \times C_0$
	horizontal direction	$0.85 \times C_0$
	reverse vertical direction	$0.7 \times C_0$

※ There may be a difference depending on the size. Please contact NB for details.
 Consideration has been given to holes for STUDROLLERS in the raceway surface in calculation of load ratings.

Figure G-7 Direction of Load



R·RS TYPE

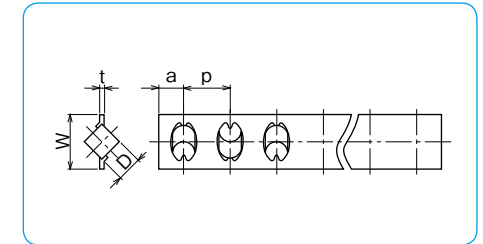
– Standard Roller Cage –

part number structure

example **RS 6 - 15Z**

specification
 R: standard roller
 RS: stainless steel roller

number of rollers
 size



part number		D	t	W	p	a	C_1	C_{01}	F_1
standard	anti-corrosion	mm	mm	mm	mm	mm	N	N	N
R 1	RS1	1.5	0.2	3.8	2.5	2	154	119	39.8
R 2	RS2	2	0.3	5.6	4	2.5	360	293	97.8
R 3	RS3	3	0.4	7.6	5	3	824	649	216
R 4	RS4	4	0.4	10.4	7	4.5	1,660	1,320	442
R 6	RS6	6	0.7	14	8.5	5.5	3,840	2,960	987
R 9	—	9	0.7	19	14	7.5	9,330	7,070	2,350
R12	—	12	1.0	25	20	10	18,900	14,500	4,840

cage material: stainless steel C_1 : dynamic load rating per roller C_{01} : static load rating per roller
 F_1 : allowable load per roller

RA·RAS TYPE

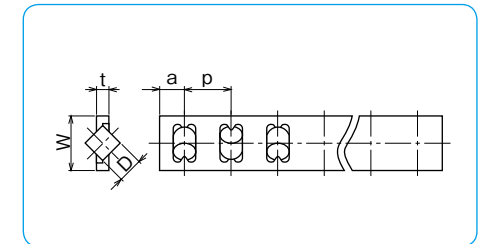
– Aluminum Roller Cage –

part number structure

example **RAS 6 - 15Z**

specification
 RA: standard roller
 RAS: stainless steel roller

number of rollers
 size



part number		D	t	W	p	a	C_1	C_{01}	F_1
standard	anti-corrosion	mm	mm	mm	mm	mm	N	N	N
RA3	RAS3	3	1.2	7.6	5	3	824	649	216
RA4	RAS4	4	1.4	10.4	7	4.5	1,660	1,320	442
RA6	RAS6	6	2.1	14	8.5	5.5	3,840	2,960	987
RA9	—	9	3.0	20	14	7.5	9,330	7,070	2,350

cage material: aluminum alloy C_1 : dynamic load rating per roller C_{01} : static load rating per roller
 F_1 : allowable load per roller

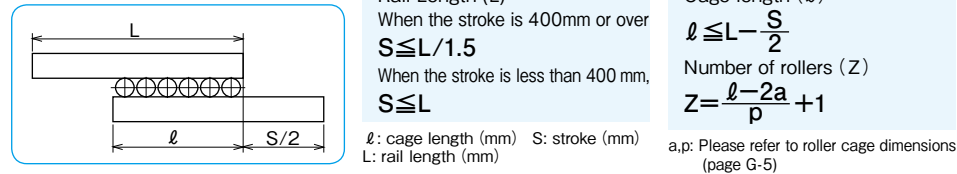
STROKE

Please contact NB for a non-standard stroke length for the NV type. When the stroke of SV type or SVW type is changed, the stroke length must be determined and the load rating should be re-estimated as follows.

Stroke of SV type, SVW type

When the slide way moves along the rail, the cage moves half the distance traveled by the slide way in the same direction. Therefore, although the work may be fixed on the table, the distance between the load center and the cage center will change. To achieve stable accuracy, determine the stroke and the length of the rail as follows.

Figure G-8



LUBRICATION AND DUST PREVENTION

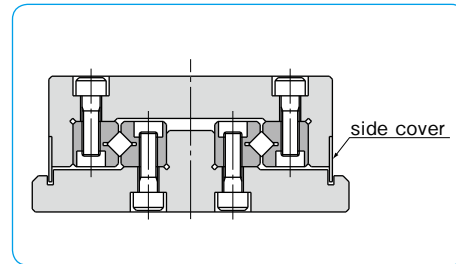
Lubrication

The slide way is pre-lubricated with lithium soap-based grease prior to shipment for immediate use. Make sure to relubricate with a similar type of grease periodically according to the operating conditions. NB also provides low dust generation grease. Please refer to page Eng-39 for details.

Dust Prevention

Foreign particles or dust in the slide way affects the motion accuracy and shortens the life time. In a harsh environment please provide side covers for dust prevention. (refer to Figure G-9)

Figure G-9 Example of Dust Prevention Mechanism



MOUNTING

Example

Figure G-10 NV type, SV type

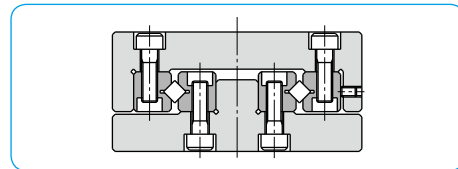
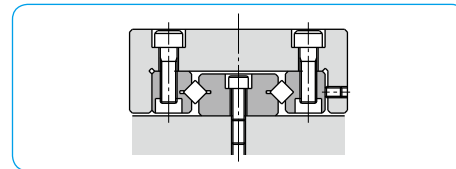


Figure G-11 SVW type

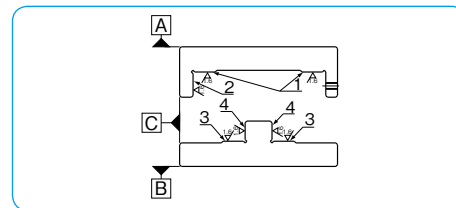


Accuracy of Mounting Surface

To maximize the performance of the NB slide way, it is recommended that the accuracy of the mounting surface to be equal to or greater than the degree of parallelism of the slide way.

- Parallelism of surface 1 against surface A
- Perpendicularity of surface 2 against surface A
- Parallelism of surface 3 against surface B
- Perpendicularity of surface 4 against surface B
- Parallelism of surface 2 against surface C
- Parallelism of surface 4 against surface C

Figure G-12 Accuracy of Mounting Surface



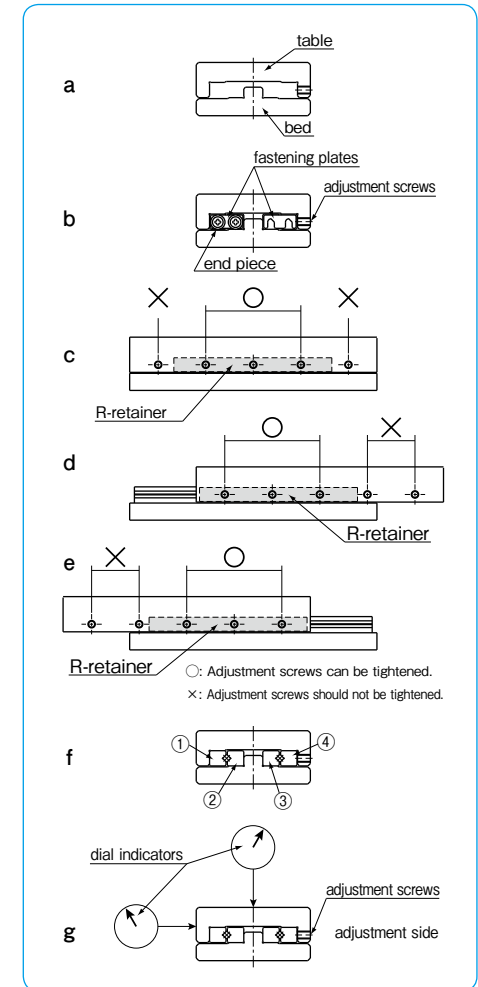
INSTALLATION PROCEDURE OF NV TYPE

Installation Procedure

※Please read "Use and Handling Precautions" before installation.

- (1) Remove burrs, scratches, and dust from the rail-mounting surface of the bed and the table, be careful to prevent contamination during assembly.
- (2) Apply low-viscosity oil to the contact surfaces, and align the bed and the table. (Figure G-13a)
- (3) Set the reference surface onto the mounting surface with the rails fastened. Set the table in the center position, and tighten the adjustment screws lightly so that almost no gap remains. (Figure G-13b)
- (4) Keep the table in the center, tighten the rail mounting bolts lightly, loosen the end pieces of both ends, and remove the fastening plates. Following this, lightly retighten the end pieces.
- (5) While maintaining the conditions of (4), gently move the assembly through its stroke to check if the maximum stroke is secured, and if there is no irregularity.
- (6) Move the table to the center and tighten only the adjustment screws on the R-retainer with the recommended torque shown in Table G-3. (Figure G-13c)
- (7) Gently move the table to one stroke end, and check that the table has surely come into contact with the external mechanical stopper. Following this, tighten the adjustment screws in the same manner as (6). (Figure G-13d)
- (8) Move the table to the opposite stroke end, and tighten in the same manner as (6). (Figure G-13e)
- (9) Fasten the mounting screws on rails 1, 2, and 3 by tightening with the recommended torque shown in Table G-4. (Figure G-13f)
- (10) Set the dial indicators to the center of the table and to the side (reference surface) of the table. (Figure G-13g)
- (11) Perform the final preload adjustment. While moving the table back and forth, repeat steps (6) to (8) until the dial indicators show a minimum deviation.
- (12) Fasten rail 4 securely with the recommended torque. As for the adjustment screws, successively tighten the mounting screws on the R-retainer by moving the table.
- (13) Recheck the motion accuracy while moving the table.
- (14) Tighten the end pieces finally.

Figure G-13 Installation Method



INSTALLATION PROCEDURE OF SV TYPE

Installation Procedure

- (1) Remove burrs, scratches, and dust from the rail-mounting surface of the bed and the table, be careful to prevent contamination during assembly.
- (2) Apply low-viscosity oil to contact surfaces. Attach rails ①-③ by tightening screws with the recommended torque (Table G-4). (Figure G-14a)
- (3) Temporarily attach rail ④ on the adjustment side. (Figure G-14b)
- (4) Remove end pieces on one end. Carefully insert roller cages between rails. (Figure G-14c)
- (5) Re-attach end pieces.
- (6) Move the table slowly to each stroke end to position roller cages at the center of the rails.
- (7) Set the dial indicators to the center of the table and to the side (reference surface) of the table. (Figure G-14d)
- (8) Move the table to one stroke end. Lightly tighten adjustment screws on the roller cage. (Figure G-14e)
- (9) Move the table to the opposite stroke end. Similarly lightly tighten adjustment screws on the roller cage. (Figure G-14f)
- (10) Move table to the center and lightly tighten center adjustment screws. (Figure G-14g)
- (11) Repeat steps (8) ~ (10) until the indicators show a minimum deviation. Please do not apply an excessive preload.
- (12) Make final adjustment of preload. Repeat steps (8) ~ (10) and tighten the adjustment screws with the recommended torque listed in Table G-3.
- (13) Fasten the rail ④ securely with the recommended torque. As with the adjustment screws, successively tighten the mounting screws by moving the table.

Figure G-14 Installation Method

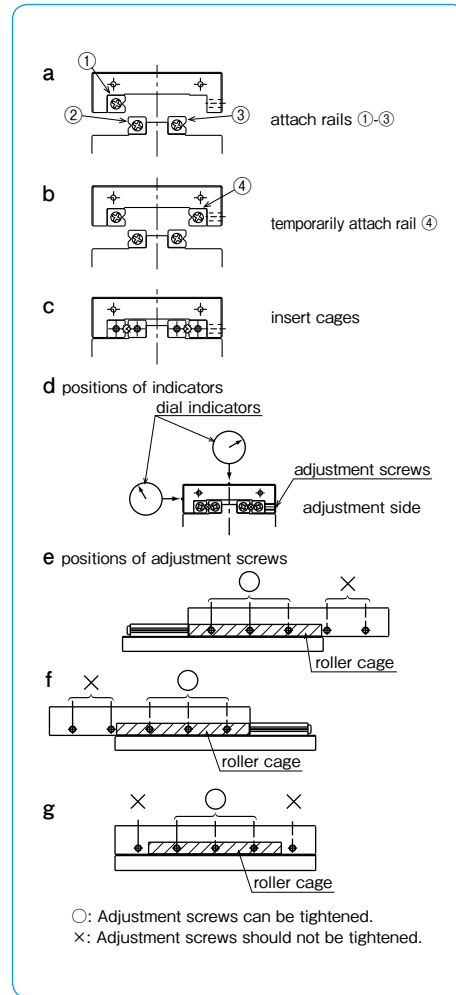


Table G-3 Recommended Torque for Adjustment Screw Unit/N·m

part number	size	torque
SV1	M2	0.008
NV2, SV2	M3	0.012
NV3, SV3	M4	0.05
NV4, SV4	M4	0.08
NV6, SV6	M5	0.20
NV9, SV9	M6	0.40

Table G-4 Recommended Torque for Mounting screw Unit/N·m

size	torque
M2	0.4
M3	1.4
M4	3.2
M5	6.6
M6	11.2
M8	27.6

(for steel alloy screw)

SPECIAL MOUNTING SCREW BT TYPE

To install the slide way using its counterbore, use of the BT type special mounting screw is recommended.

Figure G-15 Special Mounting Screw

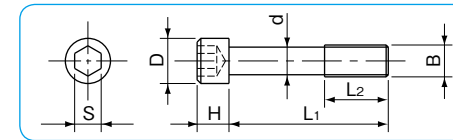


Table G-5 Special Mounting Screw

part number	B	d	D	H	L ₁	L ₂	S	applicable size
BT 3	M3	2.3	5	3	12	5	2.5	NV 3, SV 3
BT 4	M4	3.1	5.8	4	15	7	3	NV 4, SV 4
BT 6	M5	3.9	8	5	20	8	4	NV 6, SV 6
BT 9	M6	4.6	8.5	6	30	12	5	NV 9, SV 9
BT12	M8	6.25	11.3	8	40	17	6	NV12, SV12

USE AND HANDLING PRECAUTIONS

Careful Handling

Dropping the slide way causes the rolling elements to make dents in the raceway surface. This will prevent smooth motion and will also affect accuracy. Be sure to handle the product with care. The NV type is packaged as a set of rails and R-retainers. Do not separate or disassemble until assembly/installation is completed. Precision is not guaranteed if disassembled.

Fastening Plates

For the NV type, fastening plates are attached at both end faces of the rails to maintain the R-retainer center position prior to assembly. The fastening plates are not required after the NV type is mounted to a table and bed, however, when removal of the NV type is necessary such as when it will be reassembled, be sure to return the R-retainer to the proper center position, secure the fastening plates with the end pieces, and then remove the NV type.

Specified Allowable Stroke

For the NV type, exceeding the specified stroke (over-stroke) shall cause the raceway surface of the rail to be damaged and the performance of the STUDROLLER to drastically deteriorate. Be sure to provide external mechanical stoppers and use the product within 80% of the specified allowable stroke.

Adjustment

Using the product with insufficient accuracy of the mounting surface or before adjusting the preload will cause the motion accuracy of the product to drop and will have a negative influence upon product life and accuracy. Make sure to assemble, install, and adjust the product with care.

Operating Temperature

The NV type uses resin parts. Please use the product in environments that are lower than 80°C.

Use as a Set

The accuracy of the rails has been matched within each set. Note that the accuracy will be affected when the rails of different sets are combined.

Allowable Load

The allowable load is a load under which the sum of elastic deformations of the rolling element and the raceway in the contact area subject to the maximum contact stress is small enough to guarantee smooth rolling movement. When very smooth and highly accurate linear motion is required, make sure to use the product within the allowable load.

Cage Slippage

In the SV/SVW type, when used under high-speed, unbalanced-load, or vibrational conditions, cage slippage may occur. The stroke length should be determined with sufficient margin, and an excessive preload should be avoided.

End Pieces

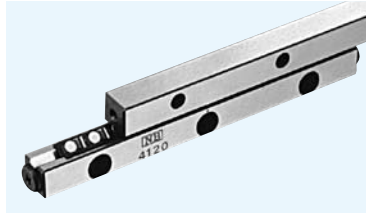
End pieces are attached to each end of the slide way to prevent removal of the cage. Do not use them as a mechanical stopper.

Knock Pin Hole

When using SVW type knock pin holes to attach a slide way, please do the hole-machining on the mounting surface after attaching the W type rail. After machining, remove the chips completely and wash as required.

NV TYPE

-NV2/NV3/NV4-



part number structure

example **NV 2 150-41Z-UP**

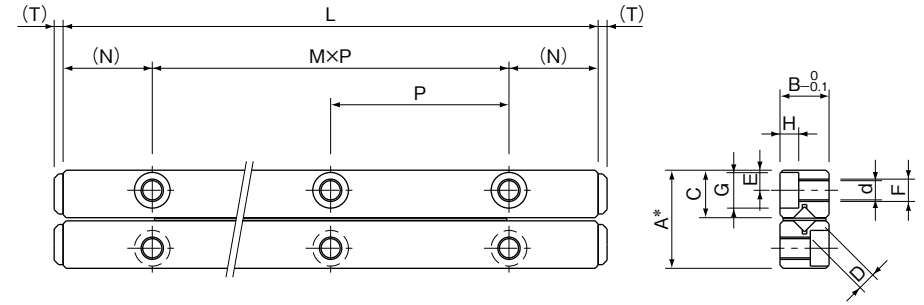
NV type

size

rail length

accuracy grade
blank: high
P: precision
UP: ultra precision

number of rollers



High grade: A-0.2 Precision grade (P): A-0.1 Ultra Precision grade (UP): A-0.0
One set consists of 4 rails, 2 R-retainers, and 8 end pieces.

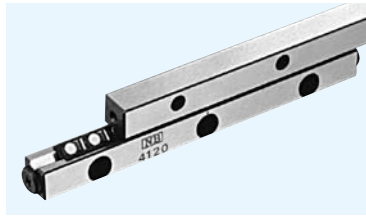
part number	stroke ST mm	roller diameter D mm	number of rollers Z	major dimensions												
				L mm	A mm	B mm	C mm	M x P mm	N mm	E mm						
NV2030- 5Z	18	2	5	30	12	6	5.7	1 x 15	7.5	2.5						
2045- 9Z	25		9	45				2 x 15								
2060-15Z	30		15	60				3 x 15								
2075-19Z	40		19	75				4 x 15								
2090-23Z	50		23	90				5 x 15								
2105-27Z	65		27	105				6 x 15								
2120-33Z	70		33	120				7 x 15								
2135-37Z	80		37	135				8 x 15								
2150-41Z	90		41	150				9 x 15								
2165-47Z	95		47	165				10 x 15								
2180-51Z	100		51	180				11 x 15								
NV3050- 9Z	25	3	9	50	18	8	8.65	1 x 25	12.5	3.5						
3075-13Z	48		13	75				2 x 25								
3100-19Z	60		19	100				3 x 25								
3125-23Z	83		23	125				4 x 25								
3150-29Z	90		29	150				5 x 25								
3175-35Z	103		35	175				6 x 25								
3200-41Z	113		41	200				7 x 25								
3225-43Z	150		43	225				8 x 25								
NV4080- 9Z	60		4	9				80			22	11	10.65	1 x 40	20	4.5
4120-17Z	75			17				120						2 x 40		
4160-23Z	105	23		160	3 x 40											
4200-29Z	130	29		200	4 x 40											
4240-37Z	143	37		240	5 x 40											
4280-43Z	170	43		280	6 x 40											

The basic static load rating is the value at the center of the stroke.

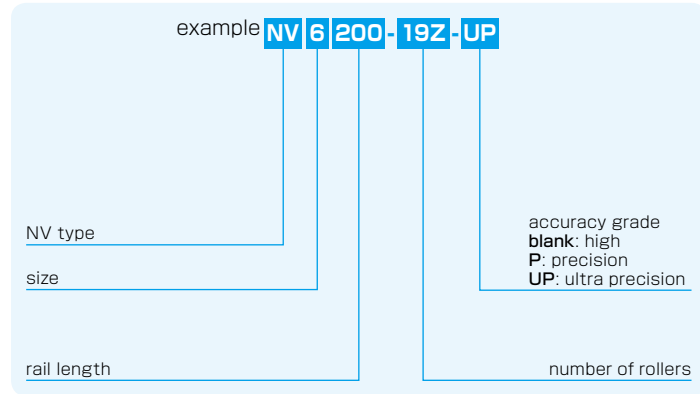
F	d	G	H	T	basic load rating		allowable load F N	mass g	size
					dynamic C N	static Co N			
M3	2.55	4.4	2	2	1,360	1,520	500	33	2030
					2,330	3,050	1,010	49	2045
					3,990	6,110	2,030	62	2060
					4,740	7,630	2,540	74	2075
					5,460	9,160	3,050	91	2090
					6,160	10,600	3,560	103	2105
					6,830	12,200	4,070	120	2120
					7,490	13,700	4,580	132	2135
					8,130	15,200	5,090	149	2150
					9,370	18,300	6,110	161	2165
9,970	19,800	6,620	174	2180					
M4	3.3	6	3.1	2	6,150	8,060	2,680	97	3050
					8,440	12,100	4,030	140	3075
					12,500	20,100	6,720	192	3100
					14,400	24,200	8,060	245	3125
					16,300	28,200	9,410	290	3150
					19,800	36,300	12,100	337	3175
					21,500	40,300	13,400	385	3200
					23,200	44,300	14,700	434	3225
					12,100	15,700	5,250	265	4080
					20,700	31,500	10,500	400	4120
28,500	47,200	15,700	530	4160					
M5	4.3	8	4.2	2	32,100	55,100	18,300	660	4200
					39,000	70,900	23,600	800	4240
					45,600	86,600	28,800	930	4280

NV TYPE

-NV6/NV9/NV12-

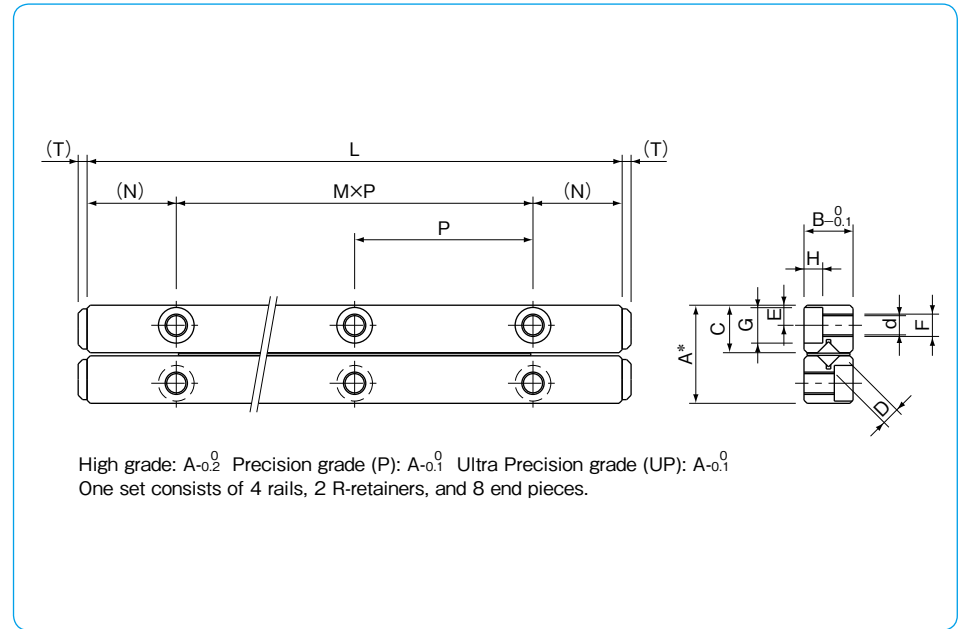


part number structure



part number	stroke ST mm	roller diameter D mm	number of rollers Z	major dimensions						
				L mm	A mm	B mm	C mm	M×P mm	N mm	E mm
NV6100- 9Z	63	6	9	100	31	15	15.15	1×50	25	6
6150- 15Z	85		15	150				2×50		
6200- 19Z	135		19	200				3×50		
6250- 25Z	158		25	250				4×50		
6300- 31Z	180		31	300				5×50		
6350- 35Z	230		35	350				6×50		
6400- 39Z	275		39	400				7×50		
NV9200- 13Z	120		9	13				200		
9300- 21Z	170	21		300	2×100					
9400- 29Z	220	29		400	3×100					
9500- 35Z	300	35		500	4×100					
NV12300- 15Z	180	12	15	300	58	28	28.5	2×100	50	12
12400- 21Z	230		21	400				3×100		
12500- 27Z	280		27	500				4×100		
12600- 31Z	380		31	600				5×100		

The basic static load rating is the value at the center of the stroke.

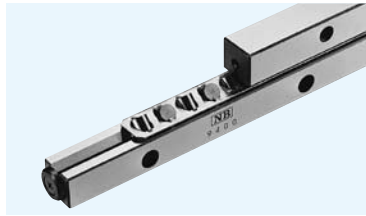


F	d	G	H	T	basic load rating		allowable load F N	mass g	size
					dynamic C N	static Co N			
M6	5.2	9.5	5.2	3	29,600	37,500	12,500	650	6100
					50,900	75,100	25,000	970	6150
					60,600	93,900	31,300	1,300	6200
					69,800	112,000	37,500	1,620	6250
					87,400	150,000	50,100	1,940	6300
					95,800	169,000	56,300	2,360	6350
					104,000	187,000	62,600	2,780	6400
					96,000	128,000	42,600	2,720	9200
M8	6.8	10.5	6.2	4	143,000	213,000	71,100	4,080	9300
					186,000	298,000	99,500	5,440	9400
					226,000	384,000	128,000	6,790	9500
					228,000	317,000	105,000	6,770	12300
M10	8.5	13.5	8.2	4	271,000	396,000	132,000	9,040	12400
					352,000	555,000	185,000	11,300	12500
					391,000	635,000	211,000	13,560	12600

1N≒0.102kgf

SV TYPE

-SV1/SV2-



part number structure

example **SVS 2 150-RA 26Z-UP**

specification
SV: standard
SVS: anti-corrosion

size

rail length

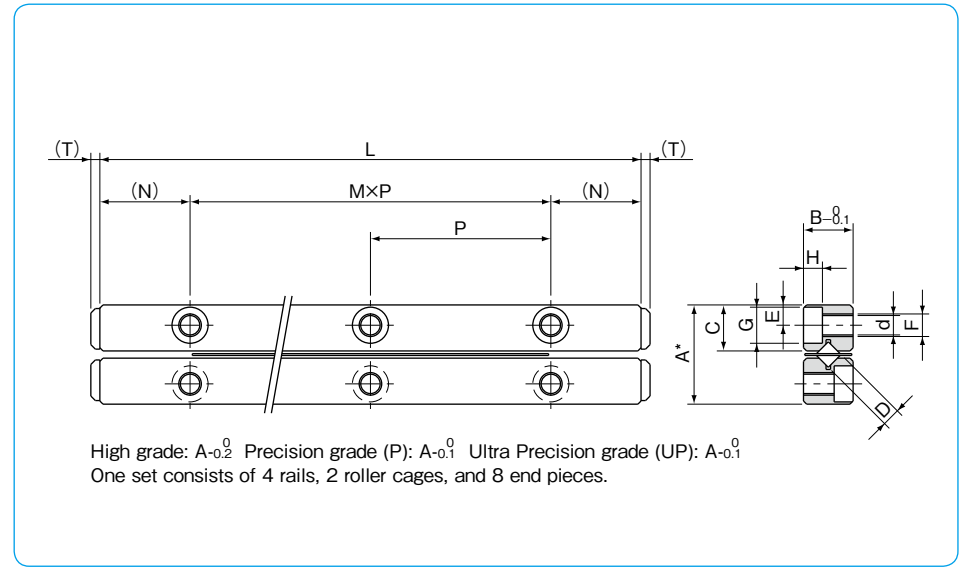
accuracy grade
blank: high
P: precision
UP: ultra precision

number of rollers

cage type
blank: standard cage
RA: aluminum cage
 standard roller

※Refer to page G-5 for information on cage types.

part number		stroke	roller diameter	number of rollers	L	A	B	C
standard	anti-corrosion	ST mm	D mm	Z	mm	mm	mm	mm
SV 1020-5Z	SVS 1020-5Z	12	1.5	5	20	8.5	4	3.8
1030-7Z	1030-7Z	20		7	30			
1040-10Z	1040-10Z	27		10	40			
1050-13Z	1050-13Z	32		13	50			
1060-16Z	1060-16Z	37		16	60			
1070-19Z	1070-19Z	42		19	70			
1080-21Z	1080-21Z	50		21	80			
SV 2030-5Z	SVS 2030-5Z	18		2	5			
2045-8Z	2045-8Z	24	8		45			
2060-11Z	2060-11Z	30	11		60			
2075-13Z	2075-13Z	44	13		75			
2090-16Z	2090-16Z	50	16		90			
2105-18Z	2105-18Z	64	18		105			
2120-21Z	2120-21Z	70	21		120			
2135-23Z	2135-23Z	84	23		135			
2150-26Z	2150-26Z	90	26		150			
2165-29Z	2165-29Z	95	29		165			
2180-32Z	2180-32Z	100	32		180			



major dimensions								basic load rating	allowable	mass	size	
M × P	N	E	F	d	G	H	T	dynamic C	static Co	load F	mass	size
mm	mm	mm	mm	mm	mm	mm	mm	N	N	N	g	
1 × 10	5	1.8	M2	1.65	3	1.4	0.8	464	476	158	11	1020
2 × 10								641	714	237	14	1030
3 × 10								959	1,190	396	18	1040
4 × 10								1,100	1,420	475	22	1050
5 × 10								1,380	1,900	633	26	1060
6 × 10								1,510	2,140	712	30	1070
7 × 10								1,650	2,380	792	34	1080
1 × 15								7.5	2.5	M3	2.55	4.4
2 × 15	1,900	2,340	780	42	2045							
3 × 15	2,270	2,930	976	55	2060							
4 × 15	2,620	3,510	1,170	69	2075							
5 × 15	3,280	4,680	1,560	83	2090							
6 × 15	3,590	5,270	1,750	96	2105							
7 × 15	3,900	5,860	1,950	110	2120							
8 × 15	4,210	6,440	2,140	123	2135							
9 × 15	4,790	7,610	2,530	137	2150							
10 × 15	5,080	8,200	2,730	151	2165							
11 × 15	5,640	9,370	3,120	165	2180							

1N ≒ 0.102kgf

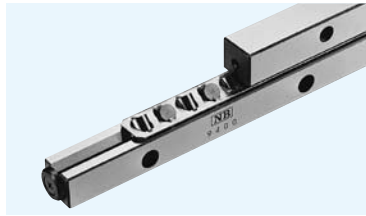
※Maximum Rail Length (standard type only)

part number	Max. length
SV1	200mm
SV2	450mm

※Please contact NB for details.

SV TYPE

-SV3/SV4-



part number structure

example **SVS 4 200-RAS 19Z-UP**

- specification: SV: standard, SVS: anti-corrosion
- size: 4
- rail length: 200
- accuracy grade: blank: high, P: precision, UP: ultra precision
- number of rollers: 19Z
- cage type: blank: standard cage, RA: aluminum cage standard roller, RAS: aluminum cage stainless steel roller

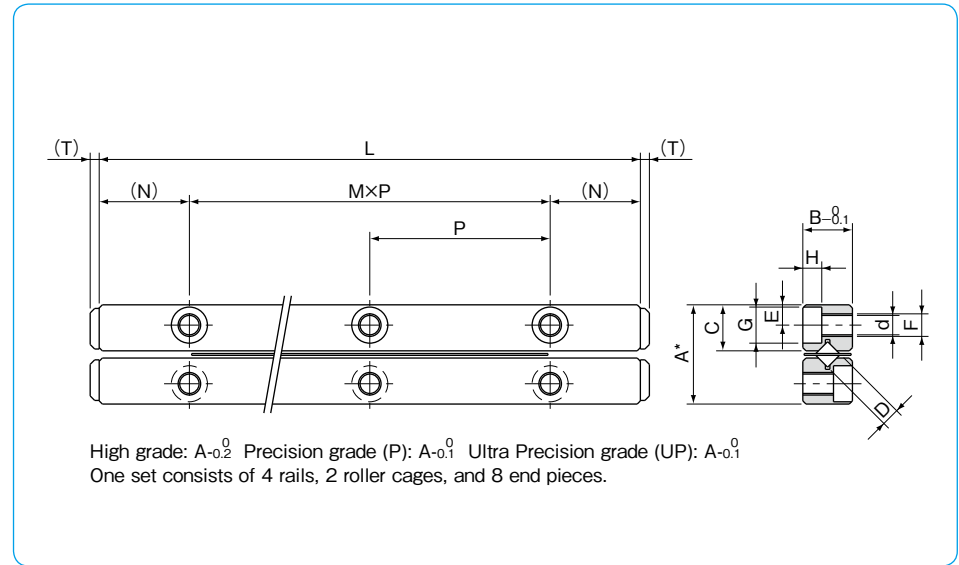
※Refer to page G-5 for information on cage types.

part number		stroke	roller diameter	number of rollers	L	A	B	C
standard	anti-corrosion	ST mm	D mm	Z	mm	mm	mm	mm
SV 3050-7Z	SVS 3050-7Z	28	3	7	50	18	8	8.3
3075-10Z	3075-10Z	48		10	75			
3100-14Z	3100-14Z	58		14	100			
3125-17Z	3125-17Z	78		17	125			
3150-21Z	3150-21Z	88		21	150			
3175-24Z	3175-24Z	105		24	175			
3200-28Z	3200-28Z	115		28	200			
3225-31Z	3225-31Z	135		31	225			
3250-35Z	3250-35Z	145		35	250			
3275-38Z	3275-38Z	165		38	275			
3300-42Z	3300-42Z	175		42	300			
3325-45Z	3325-45Z	195		45	325			
3350-49Z	3350-49Z	205		49	350			
SV 4080-7Z	SVS 4080-7Z	58		4	7			
4120-11Z	4120-11Z	82	11		120			
4160-15Z	4160-15Z	105	15		160			
4200-19Z	4200-19Z	130	19		200			
4240-23Z	4240-23Z	150	23		240			
4280-27Z	4280-27Z	175	27		280			
4320-31Z	4320-31Z	200	31		320			
4360-35Z	4360-35Z	225	35		360			
4400-39Z	4400-39Z	250	39		400			
4440-43Z	4440-43Z	270	43		440			
4480-47Z	4480-47Z	295	47		480			

※Maximum Rail Length (standard type only)

part number	Max. length
SV3	700mm
SV4	700mm

※Please contact NB for details.

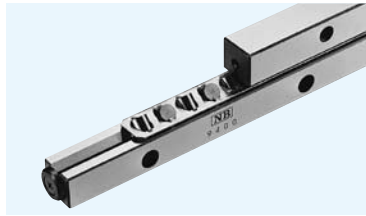


major dimensions								basic load rating		allowable	mass	size
M × P	N	E	F	d	G	H	T	dynamic C	static Co	load F	g	
mm	mm	mm	mm	mm	mm	mm	mm	N	N	N		
1 × 25	12.5	3.5	M4	3.3	6	3.1	2	3,490	3,890	1,290	94	3050
2 × 25								5,230	6,490	2,160	135	3075
3 × 25								6,810	9,080	3,020	187	3100
4 × 25								7,560	10,300	3,450	234	3125
5 × 25								9,000	12,900	4,320	281	3150
6 × 25								10,300	15,500	5,180	327	3175
7 × 25								11,700	18,100	6,040	374	3200
8 × 25								12,300	19,400	6,480	421	3225
9 × 25								13,600	22,000	7,340	468	3250
10 × 25								14,800	24,600	8,200	514	3275
11 × 25								16,000	27,200	9,070	561	3300
12 × 25								16,600	28,500	9,500	608	3325
13 × 25								17,800	31,100	10,300	655	3350
1 × 40								20	4.5	M5	4.3	8
2 × 40	10,600	13,200	4,400	385	4120							
3 × 40	13,800	18,400	6,160	510	4160							
4 × 40	16,800	23,700	7,920	635	4200							
5 × 40	19,700	29,000	9,680	770	4240							
6 × 40	22,400	34,300	11,400	905	4280							
7 × 40	25,100	39,600	13,200	1,020	4320							
8 × 40	27,600	44,800	14,900	1,160	4360							
9 × 40	30,200	50,100	16,700	1,280	4400							
10 × 40	32,600	55,400	18,400	1,410	4440							
11 × 40	35,000	60,700	20,200	1,540	4480							

1N≒0.102kgf

SV TYPE

-SV6/SV9-



part number structure

example **SVS 6 200-RAS 16Z-UP**

specification
SV: standard
SVS: anti-corrosion

size

rail length

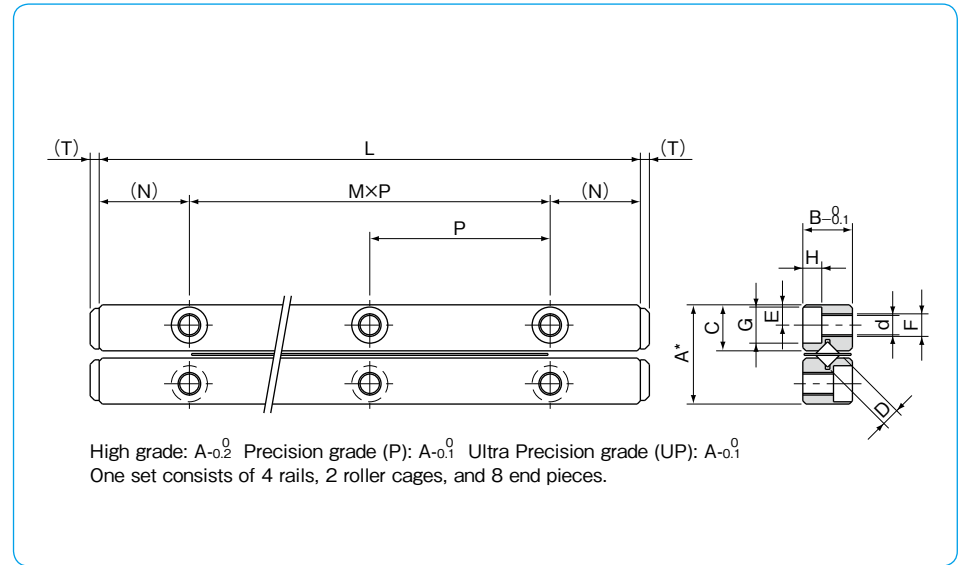
accuracy grade
blank: high
P: precision
UP: ultra precision

number of rollers

cage type
blank: standard cage
RA: aluminum cage standard roller
RAS: aluminum cage stainless steel roller

※Refer to page G-5 for information on cage types.

part number		stroke	roller diameter	number of rollers	L	A	B	C
standard	anti-corrosion	ST mm	D mm	Z	mm	mm	mm	mm
SV 6100-8Z	SVS 6100-8Z	55	6	8	100	31	15	14.2
6150-12Z	6150-12Z	85		12	150			
6200-16Z	6200-16Z	120		16	200			
6250-20Z	6250-20Z	150		20	250			
6300-24Z	6300-24Z	185		24	300			
6350-28Z	6350-28Z	215		28	350			
6400-32Z	6400-32Z	245		32	400			
6450-36Z	6450-36Z	280		36	450			
6500-40Z	6500-40Z	310		40	500			
6600-49Z	6600-49Z	360		49	600			
SV 9200-10Z	—	115	9	10	200	44	22	20.2
9300-15Z	—	175		15	300			
9400-20Z	—	235		20	400			
9500-25Z	—	295		25	500			
9600-30Z	—	355		30	600			
9700-35Z	—	415		35	700			
9800-40Z	—	475		40	800			
9900-45Z	—	535		45	900			
91000-50Z	—	595		50	1,000			



major dimensions								basic load rating		allowable	mass	size
M x P	N	E	F	d	G	H	T	dynamic C	static Co	load F	g	
mm	mm	mm	mm	mm	mm	mm	mm	N	N	N		
1 x 50	25	6	M6	5.2	9.5	5.2	3	20,700	23,600	7,880	628	6100
2 x 50								28,500	35,500	11,800	942	6150
3 x 50								35,700	47,300	15,700	1,260	6200
4 x 50								42,500	59,200	19,700	1,570	6250
5 x 50								49,000	71,000	23,600	1,880	6300
6 x 50								55,300	82,800	27,600	2,200	6350
7 x 50								61,400	94,700	31,500	2,510	6400
8 x 50								67,300	106,000	35,400	2,830	6450
9 x 50								73,100	118,000	39,400	3,140	6500
11 x 50								84,200	142,000	47,300	3,770	6600
1 x 100	50	9	M8	6.8	10.5	6.2	4	60,900	70,700	23,500	2,720	9200
2 x 100								79,300	98,900	32,900	4,030	9300
3 x 100								104,000	141,000	47,000	5,380	9400
4 x 100								120,000	169,000	56,400	6,700	9500
5 x 100								143,000	212,000	70,500	8,050	9600
6 x 100								158,000	240,000	79,900	9,230	9700
7 x 100								180,000	282,000	94,000	10,500	9800
8 x 100								193,000	311,000	103,000	11,900	9900
9 x 100								214,000	353,000	117,000	13,000	91000

1N≒0.102kgf

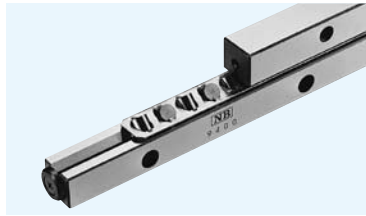
※Maximum Rail Length (standard type only)

part number	Max. length
SV6	700mm

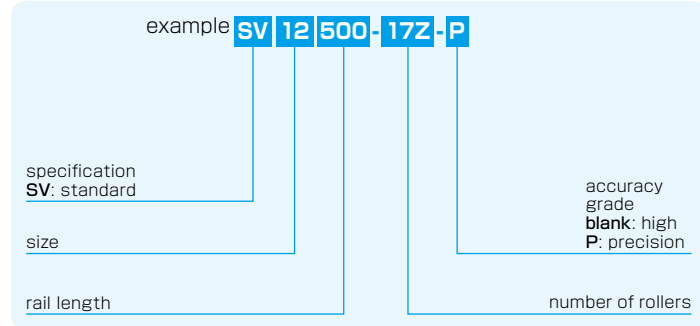
※Please contact NB for details.

SV TYPE

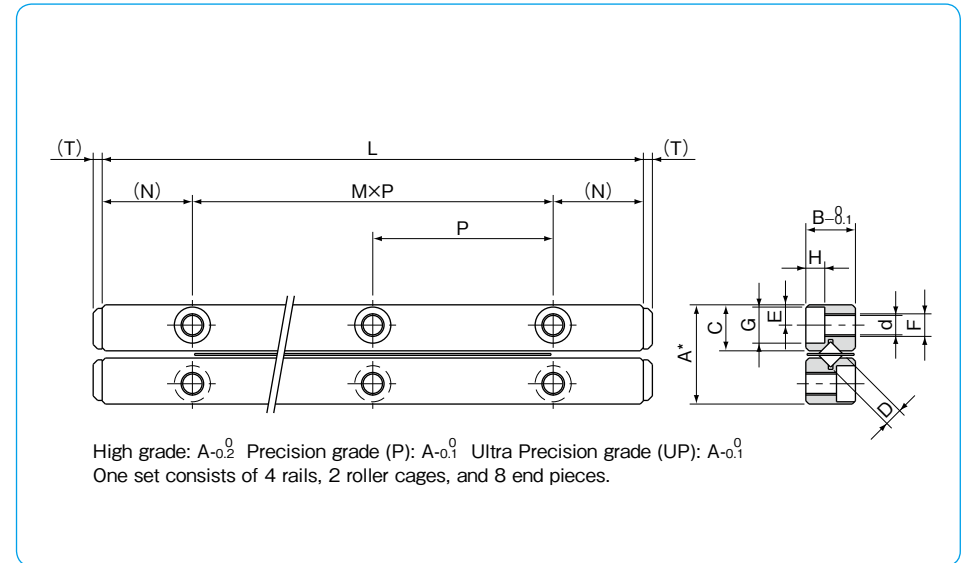
-SV12-



part number structure



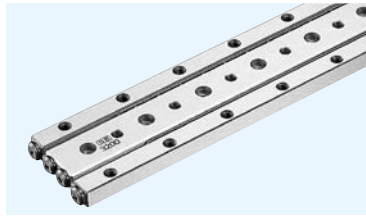
part number		stroke ST mm	roller diameter D mm	number of rollers Z	L mm	A mm	B mm	C mm
standard	anti-corrosion							
SV12300-10Z	—	200	12	10	300	58	28	27
12400-14Z	—	240		14	400			
12500-17Z	—	320		17	500			
12600-21Z	—	360		21	600			
12700-24Z	—	440		24	700			
12800-28Z	—	480		28	800			
12900-31Z	—	560		31	900			
121000-34Z	—	640		34	1,000			
121100-38Z	—	680		38	1,100			
121200-42Z	—	720		42	1,200			



major dimensions								dynamic C N	static Co N	allowable load F N	mass g	size
M×P mm	N mm	E mm	F	d mm	G mm	H mm	T mm					
2×100	50	12	M10	8.5	13.5	8.2	4	124,000	145,000	48,300	6,880	12300
3×100								162,000	203,000	67,600	9,090	12400
4×100								180,000	232,000	77,200	11,400	12500
5×100								214,000	290,000	96,600	13,700	12600
6×100								247,000	348,000	115,000	15,800	12700
7×100								279,000	406,000	135,000	18,200	12800
8×100								294,000	435,000	144,000	20,500	12900
9×100								324,000	493,000	164,000	22,800	121000
10×100								354,000	551,000	183,000	25,000	121100
11×100								382,000	609,000	202,000	27,300	121200

1N≒0.102kgf

SVW TYPE



part number structure

example **SVWS 4 200-RAS 19Z-UP**

specification
SVW: standard
SVWS: anti-corrosion

size

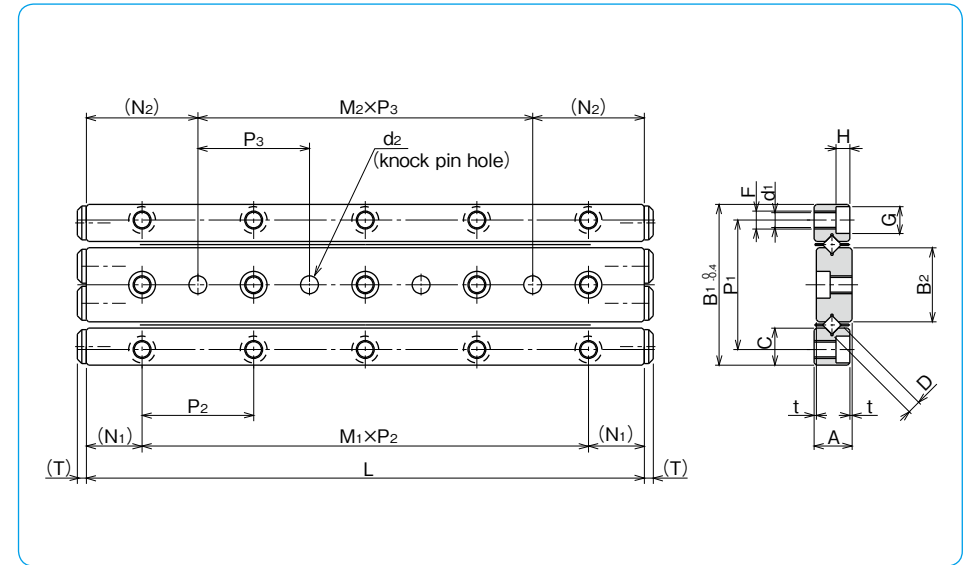
rail length

accuracy grade
blank: high
P: precision
UP: ultra precision

number of rollers

cage type
blank: standard cage
RA: aluminum cage standard roller
RAS: aluminum cage stainless steel roller

※Refer to page G-5 for information on cage types.



part number		stroke	roller diameter	number of rollers	L	A	t	B ₁	B ₂	C	P ₁	M ₁ × P ₂
standard	anti-corrosion	ST mm	D mm	Z	mm	mm	mm	mm	mm	mm	mm	mm
SVW 1020- 5Z	SVWS 1020- 5Z	12	1.5	5	20	4.5	0.5	17	7.6	3.8	13.4	1 × 10
1030- 7Z	1030- 7Z	20		7	30							2 × 10
1040-10Z	1040-10Z	27		10	40							3 × 10
1050-13Z	1050-13Z	32		13	50							4 × 10
1060-16Z	1060-16Z	37		16	60							5 × 10
1070-19Z	1070-19Z	42		19	70							6 × 10
1080-21Z	1080-21Z	50		21	80							7 × 10
SVW 2030- 5Z	SVWS 2030- 5Z	18	2	5	30	6.5	0.5	24	11	5.5	19	1 × 15
2045- 8Z	2045- 8Z	24		8	45							2 × 15
2060-11Z	2060-11Z	30		11	60							3 × 15
2075-13Z	2075-13Z	44		13	75							4 × 15
2090-16Z	2090-16Z	50		16	90							5 × 15
2105-18Z	2105-18Z	64		18	105							6 × 15
2120-21Z	2120-21Z	70		21	120							7 × 15
SVW 3050- 7Z	SVWS 3050- 7Z	28	3	7	50	8.5	0.5	36	16.6	8.3	29	1 × 25
3075-10Z	3075-10Z	48		10	75							2 × 25
3100-14Z	3100-14Z	58		14	100							3 × 25
3125-17Z	3125-17Z	78		17	125							4 × 25
3150-21Z	3150-21Z	88		21	150							5 × 25
3175-24Z	3175-24Z	105		24	175							6 × 25
3200-28Z	3200-28Z	115		28	200							7 × 25
SVW 4080- 7Z	SVWS 4080- 7Z	58	4	7	80	11.5	0.5	44	20.4	10.2	35	1 × 40
4120-11Z	4120-11Z	82		11	120							2 × 40
4160-15Z	4160-15Z	105		15	160							3 × 40
4200-19Z	4200-19Z	130		19	200							4 × 40
4240-23Z	4240-23Z	150		23	240							5 × 40
4280-27Z	4280-27Z	175		27	280							6 × 40

major dimensions									basic load rating				allowable		mass	
N ₁	F	d ₁	G	H	M ₂ × P ₃	N ₂	d ₂	T	dynamic C	static C ₀	load F	load N	g	size		
mm	mm	mm	mm	mm	mm	mm	mm	mm	N	N	N	N	g			
5	M2	1.65	3	1.4	—	10	2 ^{+0.010} ₀	0.8	464	476	158	11	1020			
					1 × 10				641	714	237	14	1030			
					2 × 10				959	1,190	396	18	1040			
					3 × 10				1,100	1,420	475	22	1050			
					4 × 10				1,380	1,900	633	26	1060			
					5 × 10				1,510	2,140	712	30	1070			
					6 × 10				1,650	2,380	792	34	1080			
7.5	M3	2.55	4.4	2	—	15	3 ^{+0.010} ₀	2	1,090	1,170	390	28	2030			
					1 × 15				1,900	2,340	780	42	2045			
					2 × 15				2,270	2,930	976	55	2060			
					3 × 15				2,620	3,510	1,170	69	2075			
					4 × 15				3,280	4,680	1,560	83	2090			
					5 × 15				3,590	5,270	1,750	96	2105			
					6 × 15				3,900	5,860	1,950	110	2120			
12.5	M4	3.3	6	3.1	—	25	4 ^{+0.012} ₀	2	3,490	3,890	1,290	94	3050			
					1 × 25				5,230	6,490	2,160	135	3075			
					2 × 25				6,810	9,080	3,020	187	3100			
					3 × 25				7,560	10,300	3,450	234	3125			
					4 × 25				9,000	12,900	4,320	281	3150			
					5 × 25				10,300	15,500	5,180	327	3175			
					6 × 25				11,700	18,100	6,040	374	3200			
20	M5	4.3	8	4.2	—	40	5 ^{+0.012} ₀	2	7,110	7,920	2,640	255	4080			
					1 × 40				10,600	13,200	4,400	385	4120			
					2 × 40				13,800	18,400	6,160	510	4160			
					3 × 40				16,800	23,700	7,920	635	4200			
					4 × 40				19,700	29,000	9,680	770	4240			
					5 × 40				22,400	34,300	11,400	905	4280			

1N≐0.102kgf

SLIDE TABLE

The NB slide table is a precision table equipped with a slide way. Its high-precision and low-friction characteristics make it well suited for use in electronics automatic-assembly machines, optical measurement devices, etc.

STRUCTURE AND ADVANTAGES

The NB slide table consists of a slide way sandwiched between an accurately machined table and a bed. Stoppers are provided inside the table.

High Accuracy

The mounting surfaces of the table and bed are precision finished to ensure high precision linear motion, resulting in a high performance slide way.

Low Friction

Its non-recirculating mechanism provides stable motion at from low to high speeds.

Compact and High Rigidity

Being designed compactly, the NB slide table holds the high load capacity and high rigidity characteristics.

No Need for Adjustment

The table is carefully assembled so that the accuracy and preload are optimized, it can be used immediately without any further adjustment.

Ease of Mounting

Standardized mounting holes are provided in the table and bed. High precision linear motion can be achieved simply by mounting.

Figure G-16 Structure of NVT type

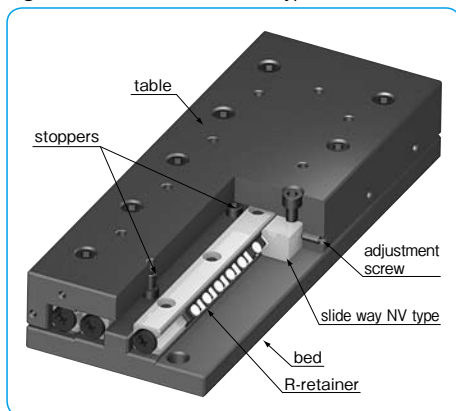
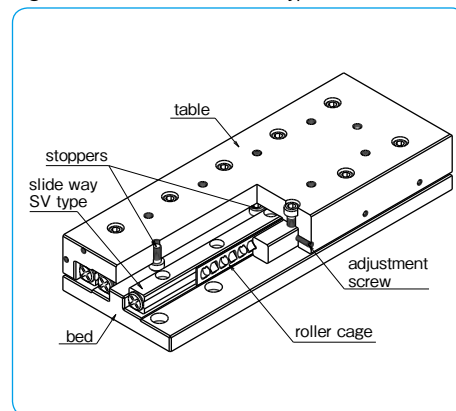
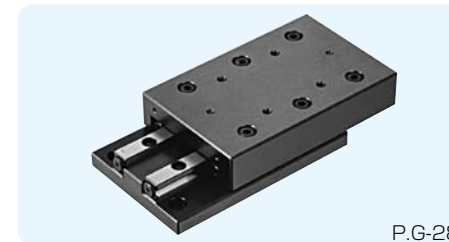


Figure G-17 Structure of SVT type



TYPES

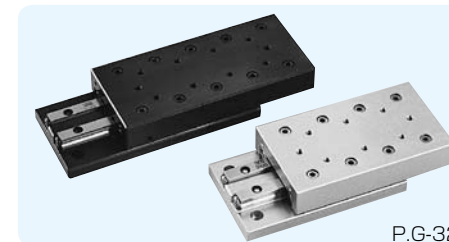
NVT type



P.G-28

The NVT type slide table incorporates the NV type slide way. The table and bed have been precision machined to provide a high degree of accuracy and the product can be used, without any need for troublesome accuracy or preload adjustments.

SVT·SVTS type



P.G-32

In the SVT type slide table, the SV type slide way is sandwiched between an accurately machined steel table and bed.

In the SVTS type, the anti-corrosion SVS type slide way is sandwiched between an accurately machined aluminum table and bed.

SYT·SYTS type



P.G-38

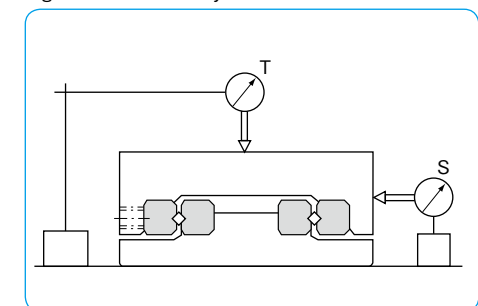
The SYT/SYTS type is a thin, compact slide table. Either tapped or counterbore type (D type) is available for the mounting hole.

The anti-corrosion SYTS type slide table is made of all stainless steel components, making it suitable for use in clean rooms.

ACCURACY

The motion accuracy of a slide table is measured by placing indicators at the center of the top and side surface of the table, as illustrated in Figure G-18. It is expressed in terms of the indicator deviation when the table is moved the full stroke without any load.

Figure G-18 Accuracy Measurement Method



RATED LIFE

The life of an NB slide table is calculated using the following equations.

Rated Life

$$L = \left(\frac{f_r \cdot C}{f_w \cdot P} \right)^{10/3} \cdot 50$$

L: rated life(km) f_r: temperature coefficient f_w: applied load coefficient
 C: basic dynamic load rating(N) P: applied load(N)
 ※Please refer to page Eng-5 for the coefficients.

Life Time

$$L_h = \frac{L \cdot 10^3}{2 \cdot l_s \cdot n \cdot 60}$$

L_h: life time (hr) l_s: stroke length (m)
 n: number of cycles per minute (cpm)

LOAD RATING

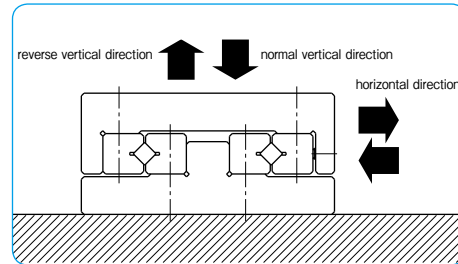
The load rating of the slide table NVT type differs depending on the direction of the load.

Table G-6 Change of Load Rating Corresponding to Load Direction

basic dynamic load rating	normal vertical direction	1.0×C
	horizontal direction	0.85×C
	reverse vertical direction	0.7×C
basic static load rating	normal vertical direction	1.0×C ₀
	horizontal direction	0.85×C ₀
	reverse vertical direction	0.7×C ₀

※There may be a difference depending on the size. Please contact NB for details.
 Consideration has been given to holes for STUDROLLERS in the raceway surface in calculation of load ratings.

Figure G-19 Direction of Load



USE AND HANDLING PRECAUTIONS

Careful Handling

Dropping the slide table causes the rolling elements to make dents in the raceway surface. This will prevent smooth motion and will also affect accuracy. Be sure to handle the product with care.

Dust Prevention

Dust and foreign particles affect the accuracy and lifetime of a slide table. A slide table used in a harsh environment should be protected with a cover.

Lubrication

The slide table is prelubricated with lithium soap based grease prior to shipment for immediate use. Make sure to relubricate with a similar type of grease periodically depending on the operating conditions.

Cage Slippage

The cage can slip under high-speed motion, unbalanced-loading, and vibrating conditions. It is suggested that the motion speed of a slide table

be kept under 30 m/min under general operating conditions.

It is recommended that the table be cycled to perform maximum full stroke several times during operation. This will allow the roller cage to be returned to its normal central position.

Adjustment/Installation Screw

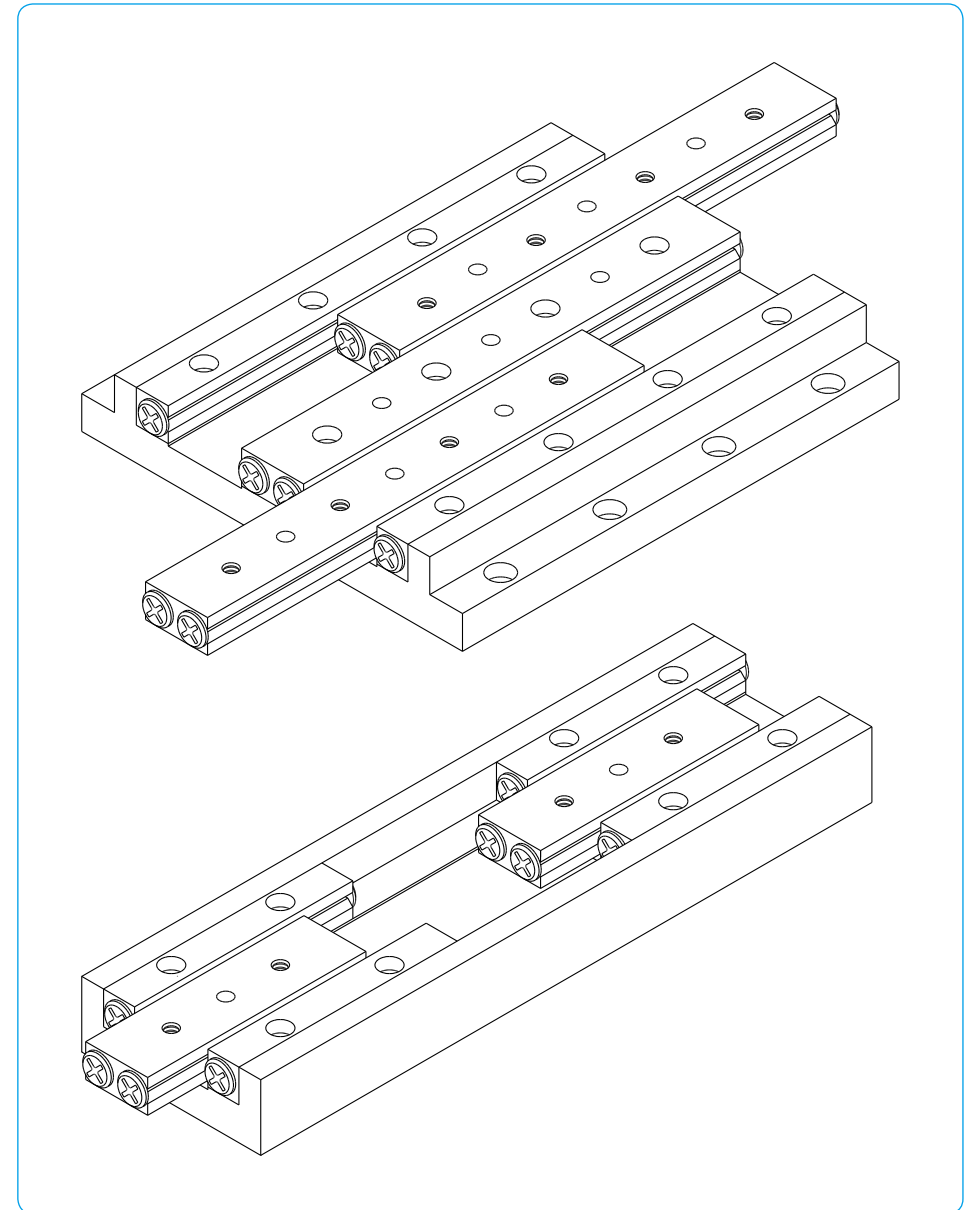
The NB slide table is adjusted to achieve optimum accuracy and preload. The adjustment screw and rail installation screws should be kept untouched.

Allowable Load

The allowable load is a load under which the sum of elastic deformations of the rolling element and the raceway in the contact area subject to the maximum contact stress is small enough to guarantee smooth rolling movement. When very smooth and highly accurate linear motion is required, make sure to use the product within the allowable load.

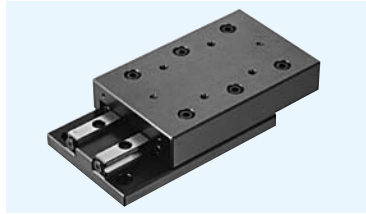
SPECIAL REQUIREMENTS

NB can machine tables to meet special requirements, including tables with a micrometer head and tables for projectors. Please contact NB for details.



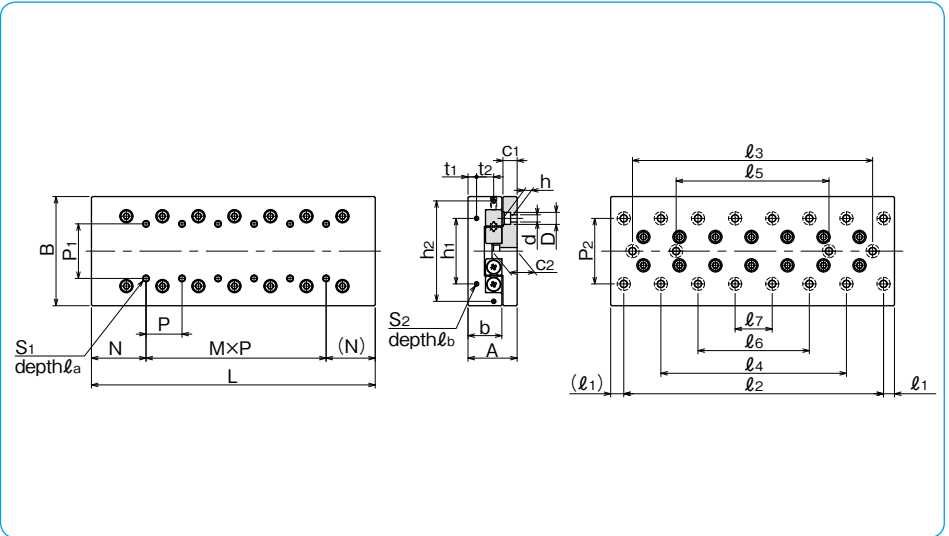
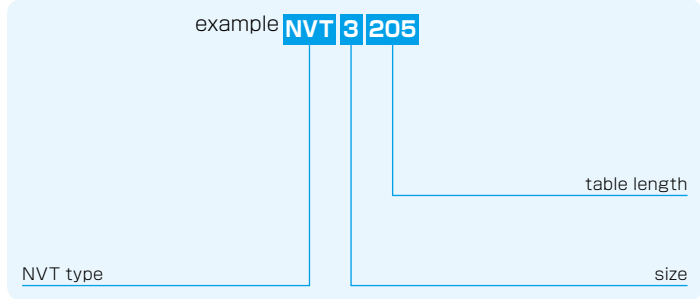
NVT TYPE

-NVT2/NVT3/NVT4-



part number structure

example **NVT 3 205**



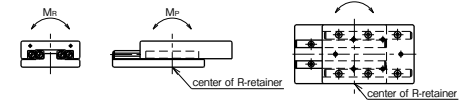
part number	stroke ST mm	major dimensions					table-top mounting hole dimensions					table-end mounting hole dimensions							P ₂ mm	d×D×h mm		
		A mm	B mm	L mm	b mm	P ₁ mm	S ₁ mm	l _a mm	N mm	M×P mm	h ₁ mm	h ₂ mm	t ₁ mm	t ₂ mm	S ₂ mm	l _b mm						
NVT2035	18			35					—													
2050	30			50				1×15														
2065	40			65				2×15														
2080	50			80				3×15														
2095	60			95				4×15														
2110	70	21 ^{+0.1}	40 ^{-0.2}	110	14	15	M3	6	17.5	5×15	16	—	3.4	—	M2	6	30	3.5×6.5×3.5				
2125	80			125				6×15														
2140	90			140				7×15														
2155	100			155				8×15														
2170	110			170				9×15														
2185	120			185				10×15														
NVT3055	30			55				—														
3080	45			80				1×25														
3105	60			105				2×25														
3130	75	28 ^{+0.1}	60 ^{+0.1}	130	18.5	25	M4	8	27.5	3×25	40	—	5.5	—	M3	6	40	4.5×8×4.5				
3155	90			155				4×25														
3180	105			180				5×25														
3205	130			205				6×25														
3230	155			230				7×25														
NVT4085	50			85				—														
4125	75			125				1×40														
4165	105	35 ^{+0.1}	80 ^{+0.1}	165	24	40	M5	10	42.5	2×40	55	—	6.5	—	M3	6	55	5.5×10×5.4				
4205	130			205				3×40														
4245	155			245				4×40														
4285	185			285				5×40														

The basic static load rating is the value at the center of the stroke.

bed-surface mounting hole dimensions										accuracy ※(deviation)		basic load rating dynamic static		allowable load	allowable static moment			mass	size
C ₁ mm	C ₂ mm	l ₁ mm	l ₂ mm	l ₃ mm	l ₄ mm	l ₅ mm	l ₆ mm	l ₇ mm	T μm	S μm	C N	Co N	F N	M _P N·m	M _Y N·m	M _R N·m	g	size	
6.5	10.9	5	25	—	—	—	—	—	2	4	1,360	1,520	509	10.1	8.8	13.7	200	2035	
			40	—	—	—	—	—	2	4	2,330	3,050	1,010	18.9	18.7	21.1	287	2050	
			55	—	—	—	—	—	—	2	5	3,190	4,580	1,520	36.9	35.7	34.8	377	2065
			70	—	40	—	—	—	—	2	5	3,990	6,110	2,030	53.2	53.8	39.8	455	2080
			85	—	55	—	—	—	—	2	5	4,740	7,630	2,540	80.3	79.9	53.5	550	2095
			100	—	70	—	—	—	—	3	6	5,460	9,160	3,050	104	106	58.4	640	2110
			115	—	85	—	—	—	—	3	6	6,160	10,600	3,560	130	135	63.4	730	2125
			130	—	100	—	70	—	—	3	6	6,830	12,200	4,070	171	176	77.1	810	2140
			145	—	115	—	85	—	—	3	6	8,130	15,200	5,090	235	244	90.9	890	2155
			160	—	130	—	100	—	—	3	7	8,750	16,800	5,600	275	289	95.8	980	2170
175	—	145	—	115	85	—	3	7	9,370	18,300	6,110	317	338	100	1,070	2185			
9	15	10	35	—	—	—	—	—	2	5	6,150	8,060	2,680	13.3	34	21.2	643	3055	
			60	—	—	—	—	—	2	5	8,440	12,100	4,030	122	117	134	960	3080	
			85	—	—	—	—	—	—	3	6	10,500	16,100	5,370	178	181	148	1,260	3105
			110	—	—	—	—	—	—	3	6	14,400	24,200	8,060	275	310	162	1,580	3130
			135	85	—	—	—	—	—	3	6	16,300	28,200	9,410	492	497	275	1,860	3155
			160	110	—	—	—	—	—	3	7	18,100	32,200	10,700	602	622	289	2,160	3180
			185	135	85	—	—	—	—	3	7	19,800	36,300	12,100	719	758	303	2,460	3205
			210	160	110	—	—	—	—	3	7	21,500	40,300	13,400	906	941	360	2,780	3230
			235	185	—	—	—	—	—	3	7	25,500	48,000	16,000	1,200	1,250	450	3,150	3255
			260	210	—	—	—	—	—	3	7	30,000	58,000	20,000	1,500	1,600	550	3,600	3280
10.5	18	10	65	—	—	—	—	—	2	5	12,100	15,700	5,250	150	144	250	1,710	4085	
			105	—	—	—	—	—	—	3	6	20,700	31,500	10,500	311	350	312	2,520	4125
			145	—	—	—	—	—	—	3	7	24,700	39,300	13,100	631	647	532	3,320	4165
			185	105	—	—	—	—	—	3	7	32,100	55,100	18,300	1,250	1,240	847	4,130	4205
			225	145	—	—	—	—	—	3	7	39,000	70,900	23,600	1,700	1,770	909	4,930	4245
			265	185	—	—	—	—	—	3	7	42,400	78,700	26,200	2,330	2,380	1,120	5,730	4285

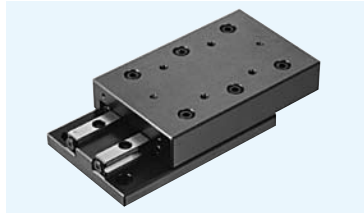
※For accuracy (T, S), refer to Figure G-18 (page G-25).

1N≐0.102kgf 1N·m≐0.102kgf·m

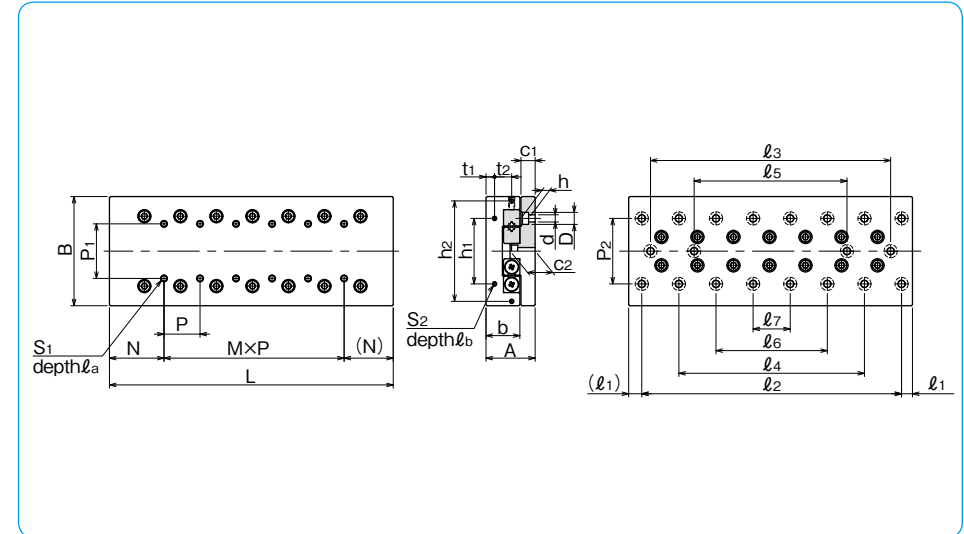
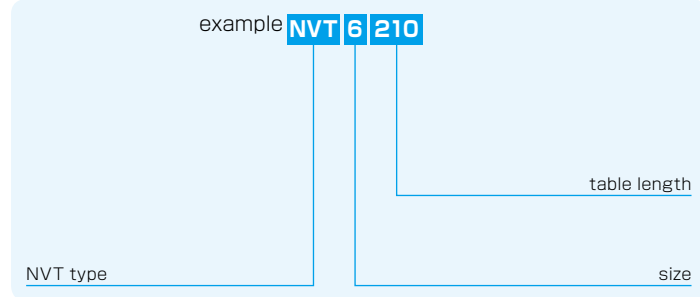


NVT TYPE

-NVT6/NVT9-



part number structure



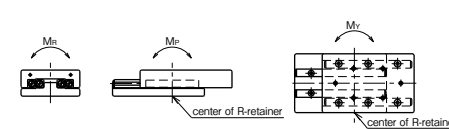
part number	stroke ST mm	major dimensions				table-top mounting hole dimensions					table-end mounting hole dimensions						d×D×h mm	
		A mm	B mm	L mm	b mm	P ₁ mm	S ₁ mm	l _a mm	N mm	M×P mm	h ₁ mm	h ₂ mm	t ₁ mm	t ₂ mm	S ₂ mm	l _b mm		P ₂ mm
NVT6110	60			110					—									
6160	95			160				1×50										
6210	130			210				2×50										
6260	165	45±0.1	100±0.1	260	31	50	M6	12	55	3×50	60	92	8	15	M4	8	60	7×11.5×7
6310	200			310				4×50										
6360	235			360				5×50										
6410	265			410				6×50										
NVT9210	130			210				—										
9310	180	60±0.1	145±0.1	310	43	85	M8	16	105	1×100	90	135	11	20	M4	8	90	9×14×9
9410	220			410				2×100										
9510	300			510				3×100										

The basic static load rating is the value at the center of the stroke.

bed-surface mounting hole dimensions								accuracy ※(deviation)		basic load rating		allowable load F N	allowable static moment			mass g	size		
C ₁ mm	C ₂ mm	l ₁ mm	l ₂ mm	l ₃ mm	l ₄ mm	l ₅ mm	l ₆ mm	l ₇ mm	T μm	S μm	C N		Co N	M _P N·m	M _Y N·m			M _R N·m	
13	23	10	90	—	—	—	—	—	3	6	29,600	37,500	12,500	216	303	343	3,300	6110	
			140	—	—	—	—	—	3	6	40,700	56,300	18,700	937	927	995	4,850	6160	
			190	90	—	—	—	—	—	3	7	60,600	93,900	31,300	1,950	1,980	1,410	6,310	6210
			240	140	—	—	—	—	—	3	7	69,800	112,000	37,500	2,670	2,770	1,640	7,790	6260
			290	190	—	—	—	—	—	3	7	78,800	131,000	43,800	4,460	4,410	2,490	9,260	6310
			340	240	140	—	—	—	—	—	4	8	87,400	150,000	50,100	5,570	5,580	2,720	10,900
16	29	55	390	290	190	—	—	—	4	8	104,000	187,000	62,600	7,440	7,660	2,950	12,460	6410	
			100	—	—	—	—	—	—	3	6	96,000	128,000	42,600	1,700	2,110	2,260	12,550	9210
			200	—	—	—	—	—	—	3	6	143,000	213,000	71,100	6,560	6,580	5,330	18,000	9310
			300	100	—	—	—	—	—	3	7	186,000	298,000	99,500	12,600	12,700	7,770	24,010	9410
			400	200	—	—	—	—	—	3	7	206,000	341,000	113,000	18,700	18,600	10,200	30,100	9510

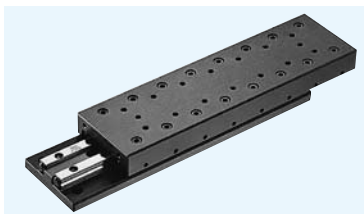
※For accuracy (T, S), refer to Figure G-18 (page G-25).

1N ≅ 0.102kgf 1N · m ≅ 0.102kgf · m

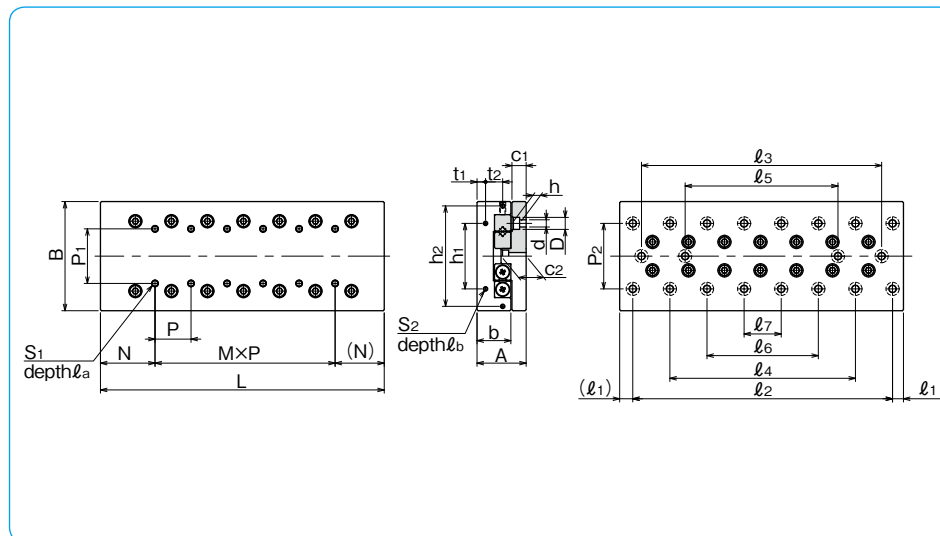
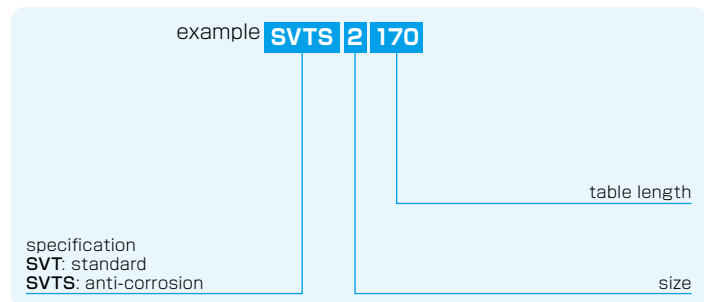


SVT TYPE

-SVT1/SVT2-



part number structure

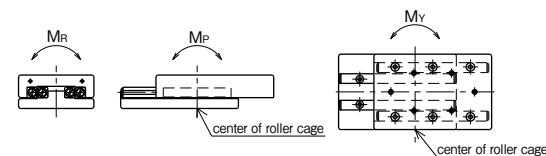


part number		stroke ST mm	major dimensions				table-top mounting hole dimensions					table-end mounting hole dimensions					
standard	anti-corrosion		A mm	B mm	L mm	b mm	P ₁ mm	S ₁ mm	l _a mm	N mm	M×P mm	h ₁ mm	h ₂ mm	t ₁ mm	t ₂ mm	S ₂ mm	l _b mm
SVT 1025	SVTS 1025	12		25						-							
1035	1035	18		35						1×10							
1045	1045	25		45						2×10							
1055	1055	32	17±0.1	30 ^{-0.4}	55	11	10	M2	4	12.5	3×10	12	-	2.5	-	M2	6
1065	1065	40		65							4×10						
1075	1075	45		75							5×10						
1085	1085	50		85							6×10						
SVT 2035	SVTS 2035	18		35													
2050	2050	30		50							1×15						
2065	2065	40		65							2×15						
2080	2080	50		80							3×15						
2095	2095	60		95							4×15						
2110	2110	70	21±0.1	40 ^{-0.4}	110	14	15	M3	6	17.5	5×15	16	-	3.4	-	M2	6
2125	2125	80		125							6×15						
2140	2140	90		140							7×15						
2155	2155	100		155							8×15						
2170	2170	110		170							9×15						
2185	2185	120		185							10×15						

bed-surface mounting hole dimensions														accuracy ※(deviation)		basic load rating		allowable		allowable			mass		size
P ₂ mm	d×D×h mm	c ₁ mm	c ₂ mm	l ₁ mm	l ₂ mm	l ₃ mm	l ₄ mm	l ₅ mm	l ₆ mm	l ₇ mm	T μm	S μm	C N	Co N	F N	M _P N·m	M _Y N·m	M _R N·m	SVT g	SVTS g					
22	2.5×4.5×2.5	5.5	9	3.5	18	-	-	-	-	-	2	4	464	476	158	1.79	1.47	3.22	82	36	1025				
					28	-	-	-	-	-	2	4	805	952	316	3.08	3.5	6.45	120	50	1035				
					38	-	-	-	-	-	2	4	959	1,190	396	6.98	6.4	8.06	158	69	1045				
					48	-	28	-	-	-	2	5	1,100	1,420	475	9.53	8.81	9.68	190	83	1055				
					58	-	38	-	-	-	2	5	1,240	1,660	554	12.4	11.6	11.2	225	98	1065				
					68	-	48	-	-	-	2	5	1,510	2,140	712	19.3	18.3	14.5	260	113	1075				
					78	-	58	-	-	-	2	5	1,650	2,380	792	23.4	22.3	16.1	295	128	1085				
					30	3.5×6.5×3.5	6.5	10.9	5	25	-	-	-	-	-	2	4	1,090	1,170	390	7.04	5.78	10.5	195	90
40	-	-	-	-						-	2	4	1,510	1,750	585	12.1	10.7	15.8	280	133	2050				
55	-	-	-	-						-	2	5	1,900	2,340	780	19.1	17.1	21.1	370	175	2065				
70	-	40	-	-						-	2	5	2,620	3,510	1,170	27.4	29.6	31.6	450	220	2080				
85	-	55	-	-						-	2	5	2,950	4,100	1,360	37.4	39.9	36.9	540	250	2095				
100	-	70	-	-						-	3	6	3,280	4,680	1,560	61.7	58.1	42.2	630	285	2110				
115	-	85	-	-						-	3	6	3,590	5,270	1,750	76.1	72.1	47.5	720	330	2125				
130	-	100	-	70						-	3	6	4,210	6,440	2,140	92	95.9	58.1	800	360	2140				
145	-	115	-	85						-	3	6	4,500	7,030	2,340	109	113	63.3	880	400	2155				
160	-	130	-	100						-	3	7	4,790	7,610	2,530	148	143	68.6	970	440	2170				
175	-	145	-	115						85	3	7	5,080	8,200	2,730	170	164	73.9	1,060	480	2185				

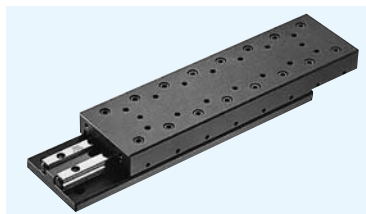
※For accuracy (T, S), refer to Figure G-18 (page G-25).

1N ≃ 0.102kgf 1N·m ≃ 0.102kgf·m

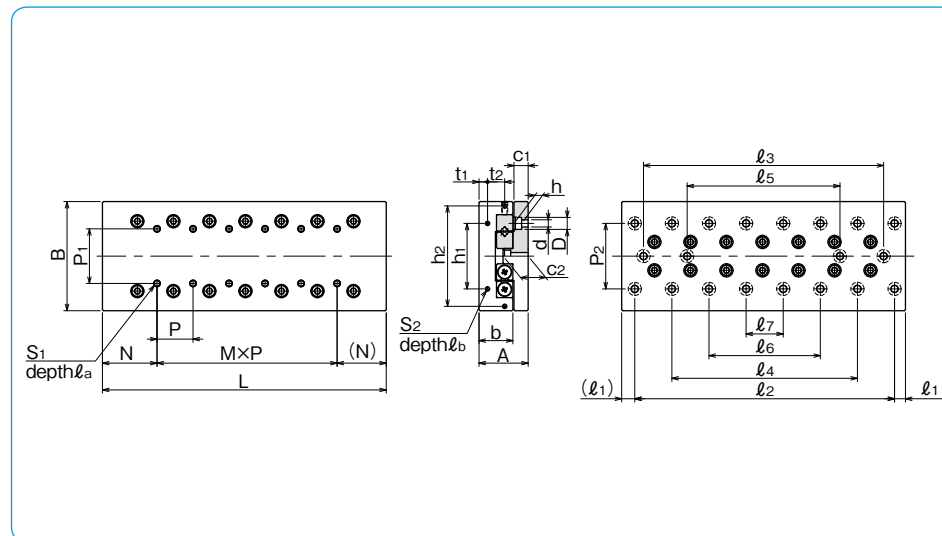
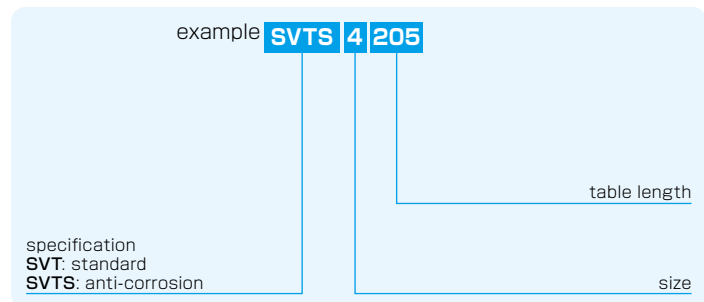


SVT TYPE

-SVT3/SVT4-



part number structure

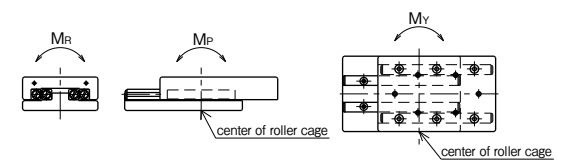


part number		stroke	major dimensions				table-top mounting hole dimensions				table-end mounting hole dimensions						
standard	anti-corrosion	ST mm	A mm	B mm	L mm	b mm	P ₁ mm	S ₁	l _a mm	N mm	M×P mm	h ₁ mm	h ₂ mm	t ₁ mm	t ₂ mm	S ₂	l _b mm
SVT 3055	SVTS 3055	30			55						—						
3080	3080	45			80						1×25						
3105	3105	60			105						2×25						
3130	3130	75			130						3×25						
3155	3155	90	28 ^{±0.1}	60 ^{±0.1}	155	18.5	25	M4	8	27.5	4×25	40	—	5.5	—	M3	6
3180	3180	105			180						5×25						
3205	3205	130			205						6×25						
3230	3230	155			230						7×25						
3255	3255	180			255						8×25						
3280	3280	205			280						9×25						
3305	3305	230			305						10×25						
SVT 4085	SVTS 4085	50			85						—						
4125	4125	75			125						1×40						
4165	4165	105			165						2×40						
4205	4205	130			205						3×40						
4245	4245	155	35 ^{±0.1}	80 ^{±0.1}	245	24	40	M5	10	42.5	4×40	55	—	6.5	—	M3	6
4285	4285	185			285						5×40						
4325	4325	210			325						6×40						
4365	4365	235			365						7×40						
4405	4405	265			405						8×40						

bed-surface mounting hole dimensions													accuracy ※(deviation)		basic load rating		allowable load		allowable static moment		mass		size			
P ₂ mm	d×D×h mm	c ₁ mm	c ₂ mm	l ₁ mm	l ₂ mm	l ₃ mm	l ₄ mm	l ₅ mm	l ₆ mm	l ₇ mm	T μm	S μm	C N	Co N	F N	M _P N·m	M _Y N·m	M _R N·m	SVT g	SVTS g						
40	4.5×8×4.5	9	15	10	35	—	—	—	—	—	2	5	3,490	3,890	1,290	19.4	22.2	54.5	640	300	3055					
					60	—	—	—	—	—	2	5	5,230	6,490	2,160	53.0	58.0	90.9	95.5	440	3080					
					85	—	—	—	—	—	3	6	6,030	7,780	2,590	103	95.7	109	1,250	580	3105					
					110	—	—	—	—	—	3	6	7,560	10,300	3,450	170	160	145	1,570	715	3130					
					135	85	—	—	—	—	3	6	9,000	12,900	4,320	210	220	181	1,850	850	3155					
					160	110	—	—	—	—	3	7	10,300	15,500	5,180	302	314	218	2,150	990	3180					
					185	135	85	—	—	—	3	7	11,000	16,800	5,610	355	367	236	2,450	1,130	3205					
					210	160	110	—	—	—	3	7	11,700	18,100	6,040	472	455	254	2,740	1,270	3230					
					235	185	135	—	—	—	3	7	12,900	20,700	6,910	537	552	290	3,040	1,410	3255					
					260	210	160	110	—	—	3	7	13,600	22,000	7,340	606	622	309	3,360	1,540	3280					
					285	235	185	135	—	—	3	7	14,200	23,300	7,770	757	735	372	3,660	1,680	3305					
					55	5.5×10×5.4	10.5	18	10	65	—	—	—	—	—	2	5	7,110	7,920	2,640	96.0	84.9	159	1,700	780	4085
										105	—	—	—	—	—	3	6	10,600	13,200	4,400	217	199	265	2,500	1,140	4125
145	—	—	—	—						—	3	7	13,800	18,400	6,160	296	316	371	3,300	1,510	4165					
185	105	—	—	—						—	3	7	16,800	23,700	7,920	488	513	477	4,100	1,870	4205					
225	145	—	—	—						—	3	7	19,700	29,000	9,680	729	759	584	4,900	2,240	4245					
265	185	—	—	—						—	3	7	22,400	34,300	11,400	1,010	1,050	690	5,700	2,600	4285					
305	225	145	—	—						—	4	8	25,100	39,600	13,200	1,350	1,390	796	6,500	3,000	4325					
345	265	185	—	—						—	4	8	27,600	44,800	14,900	1,730	1,780	902	7,300	3,300	4365					
385	305	225	—	—						—	4	8	28,900	47,500	15,800	2,160	2,100	955	8,100	3,700	4405					

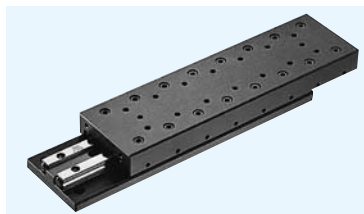
※For accuracy (T, S), refer to Figure G-18 (page G-25).

1N≒0.102kgf 1N·m≒0.102kgf·m

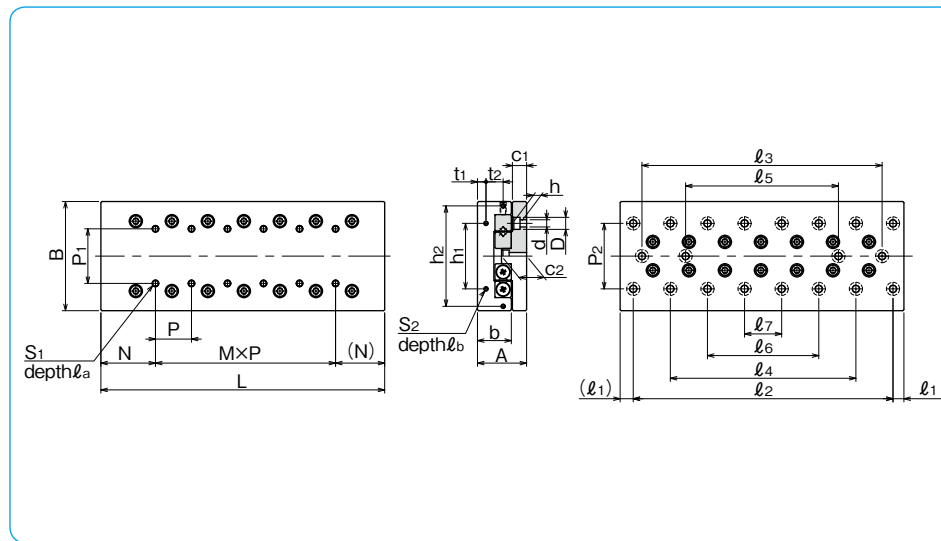
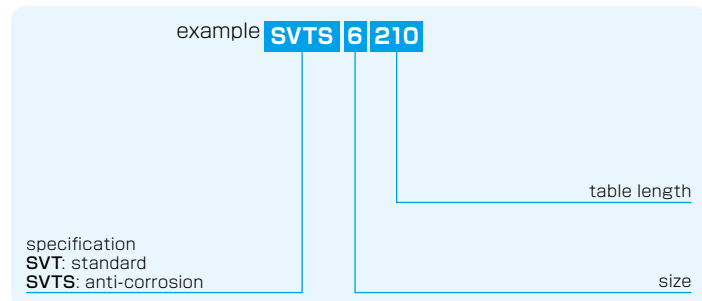


SVT TYPE

-SVT6/SVT9-



part number structure

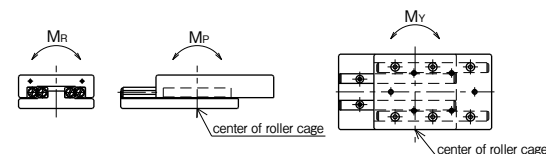


part number		stroke	major dimensions				table-top mounting hole dimensions					table-end mounting hole dimensions					
standard	anti-corrosion	ST mm	A mm	B mm	L mm	b mm	P ₁ mm	S ₁	l _a mm	N mm	M×P mm	h ₁ mm	h ₂ mm	t ₁ mm	t ₂ mm	S ₂	l _b mm
SVT 6110	SVTS 6110	60			110						—						
6160	6160	95			160					1×50							
6210	6210	130			210					2×50							
6260	6260	165			260					3×50							
6310	6310	200	45 ^{±0.1}	100 ^{±0.1}	310	31	50	M6	12	55	4×50	60	92	8	15	M4	8
6360	6360	235			360						5×50						
6410	6410	265			410						6×50						
6460	6460	300			460						7×50						
6510	6510	335			510						8×50						
SVT 9210	—	130			210						—						
9310	—	180			310						1×100						
9410	—	350			410						2×100						
9510	—	450			510						3×100						
9610	—	550	60 ^{±0.1}	145 ^{±0.1}	610	43	85	M8	16	105	4×100	90	135	11	20	M4	8
9710	—	650			710						5×100						
9810	—	750			810						6×100						
9910	—	850			910						7×100						
91010	—	950			1,010						8×100						

bed-surface mounting hole dimensions													accuracy ※(deviation)		basic load rating		allowable load		allowable static moment			mass		size
P ₂ mm	d×D×h mm	c ₁ mm	c ₂ mm	l ₁ mm	l ₂ mm	l ₃ mm	l ₄ mm	l ₅ mm	l ₆ mm	l ₇ mm	T μm	S μm	C N	Co N	F N	M _P N·m	M _Y N·m	M _R N·m	SVT g	SVTS g				
60	7×11.5×7	13	23	10	90	—	—	—	—	—	3	6	16,500	17,700	5,910	260	230	400	3,280	1,705	6110			
					140	—	—	—	—	—	3	6	24,700	29,600	9,860	588	539	666	4,820	2,480	6160			
					190	90	—	—	—	—	3	7	32,200	41,400	13,800	1,040	978	933	6,270	3,255	6210			
					240	140	—	—	—	—	3	7	39,200	53,200	17,700	1,630	1,540	1,200	7,740	4,030	6260			
					290	190	—	—	—	—	3	7	45,800	65,100	21,600	2,340	2,240	1,460	9,200	4,805	6310			
					340	240	140	—	—	—	4	8	52,200	76,900	25,600	2,750	2,850	1,730	10,740	5,580	6360			
					390	290	190	—	—	—	4	8	58,400	88,800	29,500	3,660	3,770	2,000	12,190	6,355	6410			
					440	340	240	—	—	—	4	8	64,400	100,000	33,500	4,700	4,830	2,260	13,800	7,130	6460			
					490	390	290	190	—	—	4	8	70,200	112,000	37,400	5,870	6,010	2,530	15,300	7,905	6510			
					90	9×14×9	16	29	55	100	—	—	—	—	—	3	7	51,100	56,500	18,800	1,610	1,440	2,030	12,520
200	—	—	—	—						—	3	7	79,300	98,900	32,900	3,150	3,360	3,560	17,950	—	9310			
300	100	—	—	—						—	4	8	79,300	98,900	32,900	4,110	3,840	3,560	23,950	—	9410			
400	200	—	—	—						—	4	8	96,600	127,000	42,300	6,420	6,080	4,580	30,090	—	9510			
500	300	100	—	—						—	4	9	112,000	155,000	51,700	7,760	8,090	5,600	35,990	—	9610			
600	400	200	—	—						—	4	9	128,000	183,000	61,100	10,800	11,200	6,620	41,890	—	9710			
700	500	300	100	—						—	5	10	136,000	197,000	65,800	14,400	13,900	7,130	47,790	—	9810			
800	600	400	200	—						—	5	10	151,000	226,000	75,200	18,500	17,900	8,140	53,690	—	9910			
900	700	500	300	100						—	5	10	165,000	254,000	84,600	23,100	22,400	9,160	59,590	—	91010			

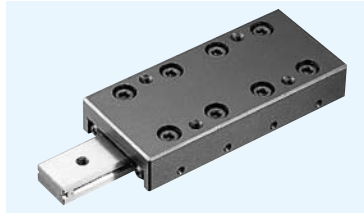
※For accuracy (T, S), refer to Figure G-18 (page G-25).

1N ≅ 0.102kgf 1N · m ≅ 0.102kgf · m

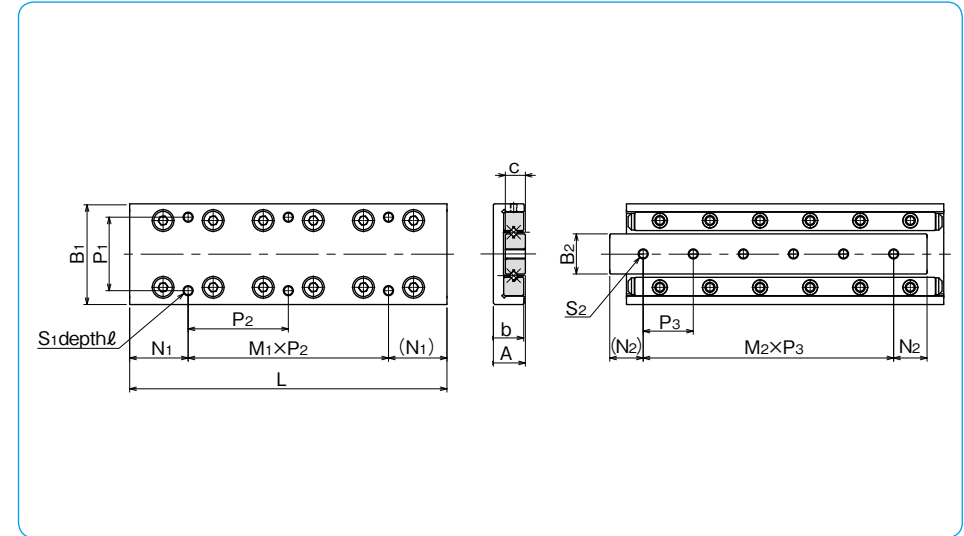
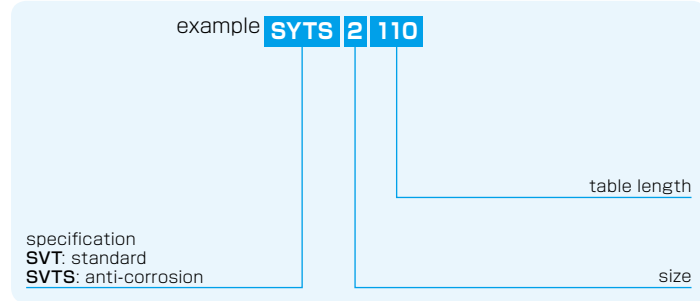


SYT TYPE

-SYT1/SYT2-



part number structure

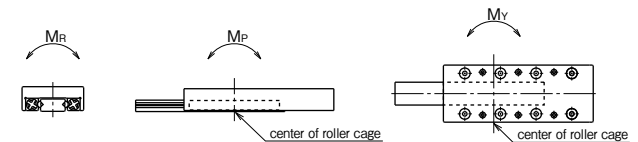


part number		stroke ST mm	major dimensions						table-top mounting hole dimensions		
standard	anti-corrosion		A mm	B ₁ mm	L mm	b mm	B ₂ mm	c mm	P ₁ mm	S ₁	ℓ mm
SYT 1025	SYTS 1025	12	8±0.1	20±0.1	25	7.5	6.6	4	14	M2.6	3
1035	1035	18			35						
1045	1045	25			45						
1055	1055	32			55						
1065	1065	40			65						
1075	1075	45			75						
1085	1085	50			85						
SYT 2035	SYTS 2035	18	12±0.1	30±0.1	35	11.5	12	6	22	M3	5
2050	2050	30			50						
2065	2065	40			65						
2080	2080	50			80						
2095	2095	60			95						
2110	2110	70			110						
2125	2125	80			125						

N ₁ mm	M ₁ ×P ₂ mm	bed-surface mounting hole dimensions		accuracy ※(deviation)		basic load rating		allowable load F N	allowable static moment			mass g	size	
		S ₂	N ₂ mm	M ₂ ×P ₃ mm	T μm	S μm	dynamic C N		static Co N	M _P N·m	M _Y N·m			M _R N·m
3.5	1×18	M2.6	5	2×7.5	2	4	464	476	158	1.79	1.47	1.79	22	1025
3.5	1×28		7.5	2×10	2	4	805	952	316	3.08	3.50	3.58	33	1035
12.5	1×20		7.5	3×10	2	5	959	1,190	396	6.98	6.40	4.48	42	1045
12.5	1×30		7.5	4×10	2	5	1,100	1,420	475	9.53	8.81	5.37	52	1055
12.5	2×20		7.5	5×10	2	5	1,240	1,660	554	12.4	11.6	6.27	63	1065
22.5	1×30		7.5	6×10	2	5	1,510	2,140	712	19.3	18.3	8.06	72	1075
12.5	2×30		7.5	7×10	2	5	1,650	2,380	792	23.4	22.3	8.96	83	1085
3.5	1×28	M3	7.5	1×20	2	4	1,090	1,170	390	7.04	5.78	7.63	79	2035
3.5	1×43		10	2×15	2	4	1,510	1,750	585	12.1	10.7	11.4	113	2050
17.5	1×30		10	3×15	2	5	1,900	2,340	780	19.1	17.1	15.2	150	2065
17.5	1×45		10	4×15	2	5	2,620	3,510	1,170	27.4	29.6	22.8	185	2080
17.5	2×30		10	5×15	2	5	2,950	4,100	1,360	37.4	39.9	26.7	215	2095
32.5	1×45		10	6×15	2	5	3,280	4,680	1,560	61.7	58.1	30.5	255	2110
17.5	2×45		10	7×15	2	5	3,590	5,270	1,750	76.1	72.1	34.3	295	2125

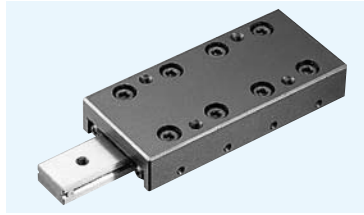
※For accuracy (T, S), refer to Figure G-18 (page G-25).

1N≒0.102kgf 1N·m≒0.102kgf·m

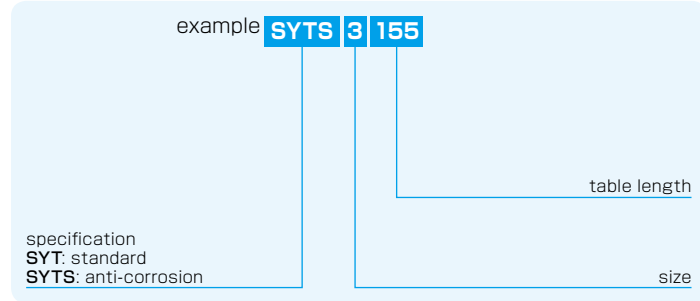


SYT TYPE

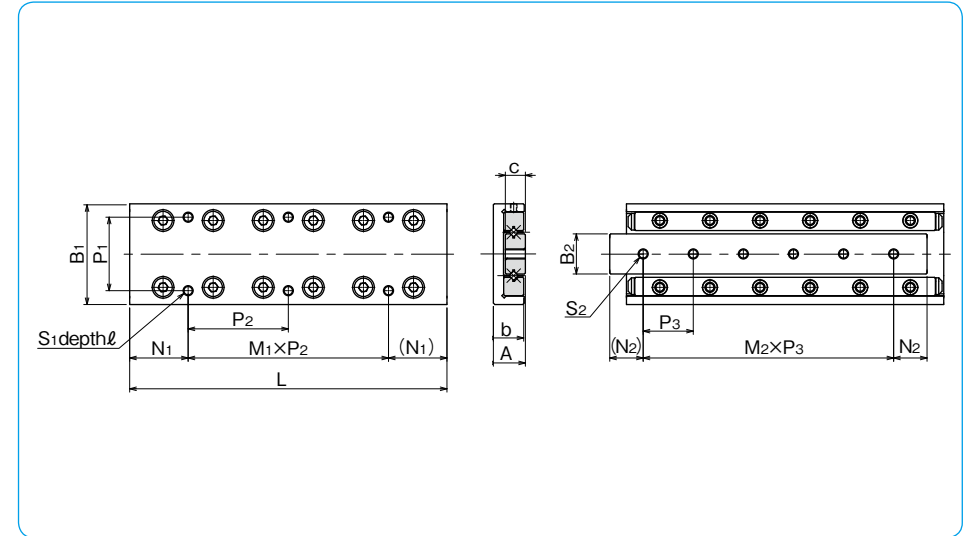
-SYT3-



part number structure



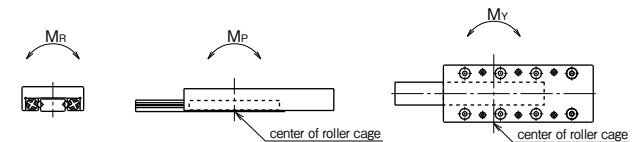
part number		stroke ST mm	major dimensions						table-top mounting hole dimensions		
standard	anti-corrosion		A mm	B ₁ mm	L mm	b mm	B ₂ mm	c mm	P ₁ mm	S ₁	ℓ mm
SYT 3055	SYTS 3055	30	16±0.1	40±0.1	55	15.5	16	8	30	M4	7
3080	3080	45			80						
3105	3105	60			105						
3130	3130	75			130						
3155	3155	90			155						
3180	3180	105			180						
3205	3205	130			205						



N ₁ mm		M ₁ ×P ₂ mm		bed-surface mounting hole dimensions		accuracy ※(deviation)		basic load rating		allowable load	allowable static moment			mass	size
N ₁	M ₁ ×P ₂	S ₂	N ₂	M ₂ ×P ₃	T μm	S μm	dynamic C N	static Co N	F N	M _P N·m	M _Y N·m	M _R N·m	g		
7.5	1×40	M4	10	1×35	2	5	3,490	3,890	1,290	19.4	22.2	33.8	225	3055	
7.5	1×65		15	2×25	2	5	5,230	6,490	2,160	53.0	58.0	56.4	340	3080	
27.5	1×50		15	3×25	3	5	6,030	7,790	2,590	103	95.7	67.7	440	3105	
27.5	1×75		15	4×25	3	5	7,560	10,300	3,450	170	160	90.3	560	3130	
27.5	2×50		15	5×25	3	5	9,000	12,900	4,320	210	220	112	655	3155	
52.5	1×75		15	6×25	3	5	10,300	15,500	5,180	302	314	135	770	3180	
27.5	2×75		15	7×25	3	5	11,000	16,800	5,610	355	367	146	880	3205	

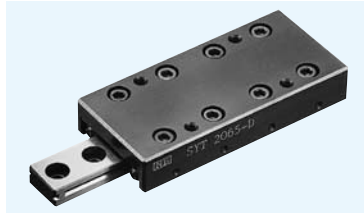
※For accuracy (T, S), refer to Figure G-18 (page G-25).

1N≐0.102kgf 1N·m≐0.102kgf·m

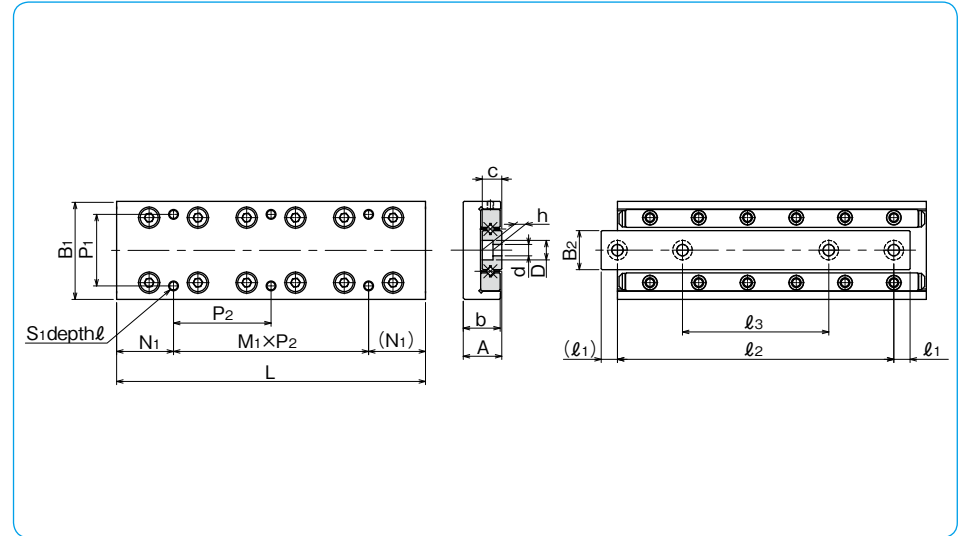
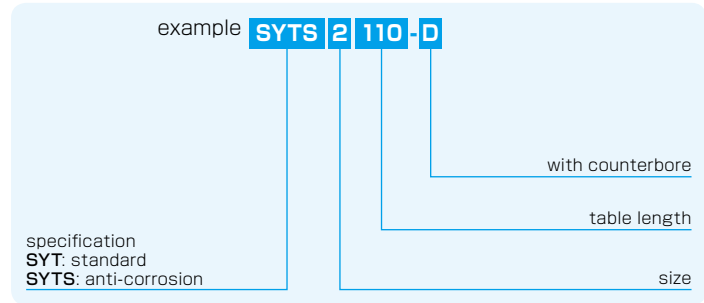


SYT-D TYPE

-SYT1/SYT2-



part number structure

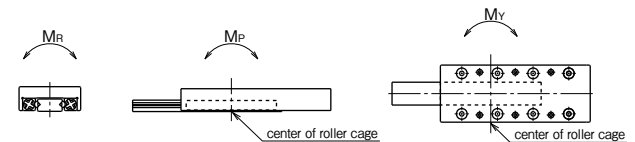


part number		stroke ST mm	major dimensions						table-top mounting hole dimensions			
standard	anti-corrosion		A mm	B1 mm	L mm	b mm	B2 mm	c mm	P1 mm	S1 mm	ℓ mm	N1 mm
SYT1025-D	SYTS1025-D	12	8±0.1	20±0.1	25	7.5	6.6	4	14	M2.6	3	3.5
1035-D	1035-D	18			35							3.5
1045-D	1045-D	25			45							12.5
1055-D	1055-D	32			55							12.5
1065-D	1065-D	40			65							12.5
1075-D	1075-D	45			75							22.5
1085-D	1085-D	50			85							12.5
SYT2035-D	SYTS2035-D	18			12±0.1							30±0.1
2050-D	2050-D	30	50	3.5								
2065-D	2065-D	40	65	17.5								
2080-D	2080-D	60	80	17.5								
2095-D	2095-D	60	95	17.5								
2110-D	2110-D	70	110	32.5								
2125-D	2125-D	80	125	17.5								

M1×P2 mm	bed-surface mounting hole dimensions			accuracy ※(deviation)		basic load rating		allowable load F N	allowable static moment			mass g	size	
	d×D×h mm	ℓ1 mm	ℓ2 mm	ℓ3 mm	T μm	S μm	dynamic C N		static Co N	MP N·m	MY N·m			MR N·m
1×18	2.5×4.1×2.2	3.5	18	—	2	4	464	476	158	1.79	1.47	1.79	22	1025
1×28		5	25	—	2	4	805	952	316	3.08	3.50	3.58	33	1035
1×20		3.5	38	25	2	5	959	1,190	396	6.98	6.40	4.48	42	1045
1×30		3.5	48	29	2	5	1,100	1,420	475	9.53	8.81	5.37	52	1055
2×20		5	55	31	2	5	1,240	1,660	554	12.4	11.6	6.27	63	1065
1×30		5	65	35	2	5	1,510	2,140	712	19.3	18.3	8.06	72	1075
2×30		5	75	40	2	5	1,650	2,380	792	23.4	22.3	8.96	83	1085
1×28		3.5×6×3.3	5	25	—	2	4	1,090	1,170	390	7.04	5.78	7.63	79
1×43	7.5		35	—	2	4	1,510	1,750	585	12.1	10.7	11.4	113	2050
1×30	5		55	33	2	5	1,900	2,340	780	19.1	17.1	15.2	150	2065
1×45	5		70	40	2	5	2,620	3,510	1,170	27.4	29.6	22.8	185	2080
2×30	5		85	45	2	5	2,950	4,100	1,360	37.4	39.9	26.7	215	2095
1×45	7.5		95	50	2	5	3,280	4,680	1,560	61.7	58.1	30.5	255	2110
2×45	7.5		110	55	2	5	3,590	5,270	1,750	76.1	72.1	34.3	295	2125

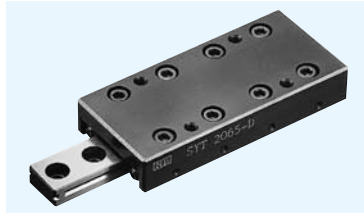
※For accuracy (T, S), refer to Figure G-18 (page G-25).

1N ≅ 0.102kgf 1N · m ≅ 0.102kgf · m

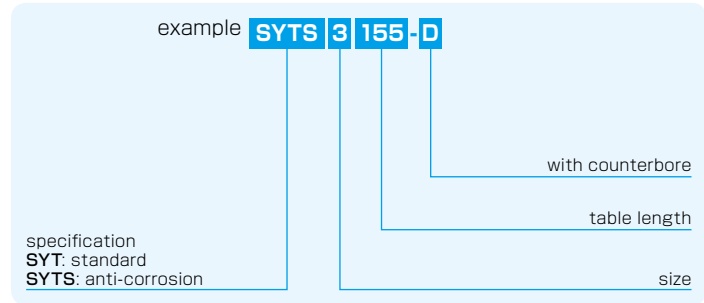


SYT-D TYPE

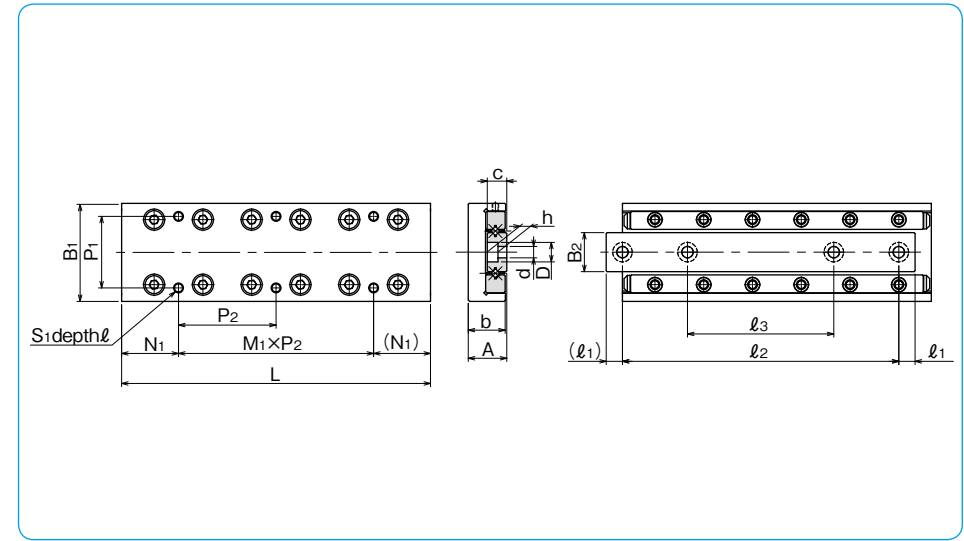
-SYT3-



part number structure

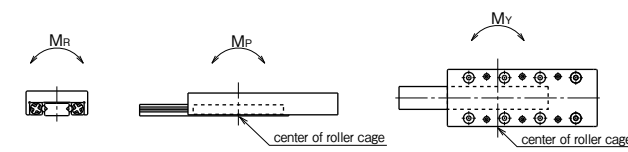


part number		stroke ST mm	major dimensions						table-top mounting hole dimensions			
standard	anti-corrosion		A mm	B ₁ mm	L mm	b mm	B ₂ mm	c mm	P ₁ mm	S ₁ mm	ℓ mm	N ₁ mm
SYT3055-D	SYTS3055-D	30	16±0.1	40±0.1	55	15.5	16	8	30	M4	7	7.5
3080-D	3080-D	45			80							7.5
3105-D	3105-D	60			105							27.5
3130-D	3130-D	75			130							27.5
3155-D	3155-D	90			155							27.5
3180-D	3180-D	105			180							52.5
3205-D	3205-D	130			205							27.5



M ₁ ×P ₂ mm	bed-surface mounting hole dimensions			accuracy ※(deviation)		basic load rating		allowable load F N	allowable static moment			mass g	size	
	d×D×h mm	ℓ ₁ mm	ℓ ₂ mm	ℓ ₃ mm	T μm	S μm	dynamic C N		static Co N	M _P N·m	M _Y N·m			M _R N·m
1×40	4.5×7.5×4.3	7.5	40	—	2	5	3,490	3,890	1,290	19.4	22.2	33.8	225	3055
1×65		6	68	43	2	5	5,230	6,490	2,160	53.0	58.0	56.4	340	3080
1×50		7.5	90	55	3	5	6,030	7,780	2,590	103	95.7	67.7	440	3105
1×75		7.5	115	65	3	5	7,560	10,300	3,450	170	160	90.3	560	3130
2×50		7.5	140	95	3	5	9,000	12,900	4,320	210	220	112	655	3155
1×75		7.5	165	85	3	5	10,300	15,500	5,180	302	314	135	770	3180
2×75		7.5	190	90	3	5	11,000	16,800	5,610	355	367	146	880	3205

※For accuracy (T, S), refer to Figure G-18 (page G-25). 1N≐0.102kgf 1N·m≐0.102kgf·m



MINIATURE SLIDE

The NB miniature slide table SYBS type is a limited stroke table with the most compact envelope dimensions, featuring two ball raceway grooves. The SYBS type utilizes balls as the rolling elements. The ultra compact design contributes greatly to the creation of smaller and lighter industrial machinery and equipment of all types.

STRUCTURE AND ADVANTAGES

The NB miniature slide table incorporates a unique integrated ball cage between the table and bed. All components have been produced with high precision machining.

Ultra Compact Design

The table height of the SYBS type is 3.2~4.5mm and the width is 6~12mm. This compact size when compared with conventional slide tables helps to realize the miniaturization of machinery and equipment.

Low Friction · Low Noise

Since the rolling ball elements do not recirculate, the frictional resistance will not vary significantly resulting in smooth, high precision operation. Additionally, the

ball cage greatly reduces the contact noise of the rolling elements bringing about a low-noise operation.

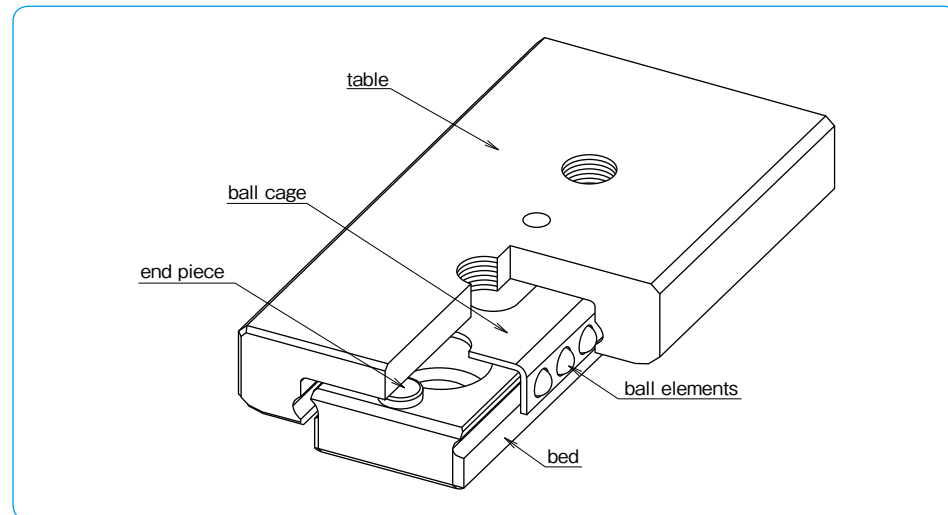
High Accuracy

The ball raceway grooves of each of the bed and table are processed through simultaneous precision machining resulting in minimal processing errors, and bringing about extremely smooth, precision linear movement.

Stainless Steel Structure

The SYBS type is made of all stainless steel components. This allows for use in corrosive or high temperature applications. The SYBS is a perfect component for vacuum or clean room environments.

Figure G-20 Structure of SYBS type



ACCURACY

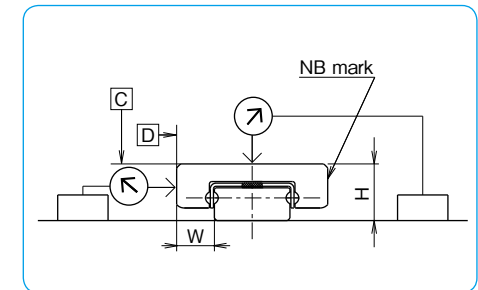
Table G-7 shows the accuracy of the SYBS miniature slide table.

The deviation is measured as Figure G-21 illustrates. Dial indicators are placed to the center of the table's top and the reference surface side (opposite from the NB mark) and then the table is moved the full stroke without any load.

Table G-7 Accuracy unit/mm

item	tolerance
height H	±0.020
width W	±0.025
deviation from center of surface C	0.004
deviation from center of surface D	0.006

Figure G-21 Accuracy Measurement Method



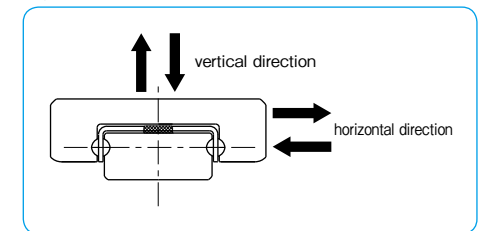
LOAD RATING

The load rating of the miniature slide table varies depending on the direction of the applied load.

Table G-8 Change of Load Rating Corresponding to Load Direction

basic dynamic load rating	vertical direction	1.00×C
	horizontal direction	1.13×C
basic static load rating	vertical direction	1.00×Co
	horizontal direction	1.19×Co

Figure G-22 Direction of Load



RATED LIFE

The life of an NB miniature slide table is calculated using the following equations:

Rated Life

$$L = \left(\frac{f_T}{f_w} \cdot \frac{C}{P} \right)^3 \cdot 50$$

L: rated life (km) f_T: temperature coefficient
 f_w: applied load coefficient C: basic dynamic load rating (N)
 P: applied load (N)
 * Refer to page Eng-5 for the coefficients.

Life Time

$$L_h = \frac{L \cdot 10^3}{2 \cdot l_s \cdot n_1 \cdot 60}$$

L_h: life time (hr) l_s: stroke length (m)
 n₁: number of cycles per minute (cpm)

MOUNTING

Mounting Surface Profile

In most general installations, the miniature slide table is mounted by pushing the reference surface of the bed and table against a shoulder that is set up on the mounting surface. Machined escape grooves should be used in the corners of the shoulder (as illustrated in Figure G-23) so that the corners will not interfere with the reference surfaces of the bed and table. Table G-9 lists the recommended shoulder heights of the mounting reference surfaces.

When installing the miniature slide table without providing machined escape grooves, the corner radius should be realigned as illustrated in Figure G-24. Table G-10 lists the values of the corner radius of the mounting surface.

Figure G-23 Mounting Surface Profile-1

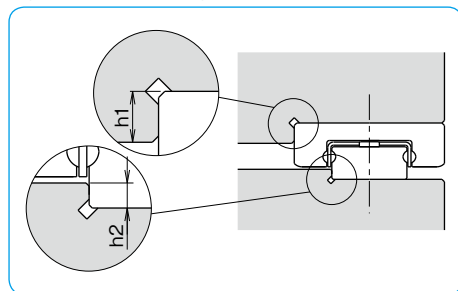
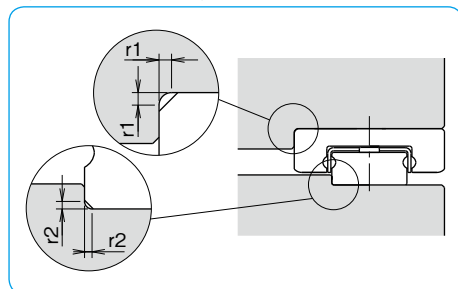


Figure G-24 Mounting Surface Profile-2



Recommended Torque Value

The bed should be tightened with a consistent torque by using a torque wrench. Table G-11 lists the recommended torque.

size	torque
M1	0.03
M1.6	0.15
M2	0.3

(for stainless steel screw A2-70)

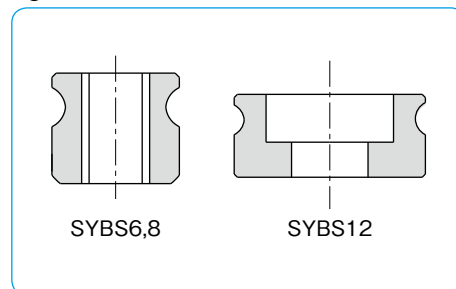
Table G-9 Shoulder Height on Mounting Reference Surface unit/mm

part number	shoulder height for table h1	shoulder height for bed h2
SYBS 6	1.0	0.5
SYBS 8	1.2	0.8
SYBS12	1.5	0.8

Table G-10 Maximum Corner Radius unit/mm

part number	mounting surface for	
	table r1	bed r2
SYBS 6	0.1	0.05
SYBS 8	0.15	0.1
SYBS12	0.15	0.1

Figure G-25 Profile of SYBS Bed



Mounting Example and Mounting Screw

All the mounting holes are fully through-hole. Mount the SYBS type as illustrated in Figure G-26 after considering the size of mounting screw, the maximum penetration depth, and the height of the bed. Make certain that the mounting screws do not interfere with the ball cage; otherwise, the accuracy and travel life will be affected adversely. Special screws for SYBS type are available from NB. Please refer to Table G-12 for dimensions of mounting screws.

Figure G-26 Mounting Example

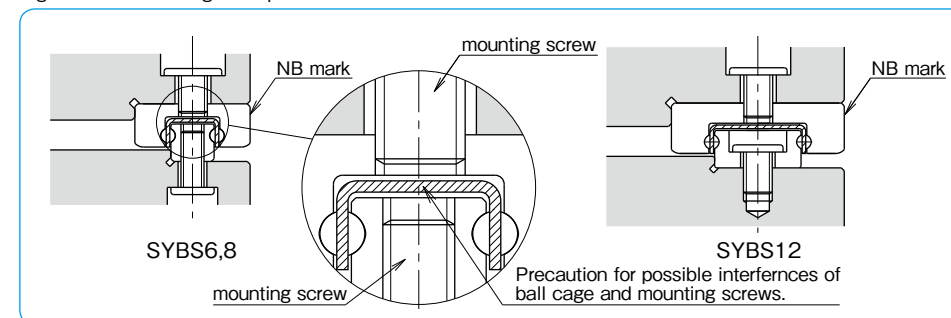
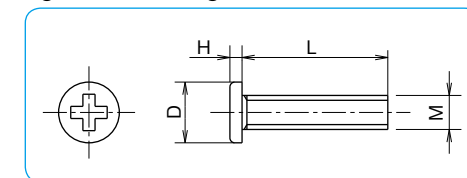


Table G-12 Mounting Screw (stainless steel)

M (size)	D mm	H mm	pitch mm	L mm
M1	1.8	0.45	0.25	5
M1.4	2.5	0.5	0.3	6
M1.6	2.3	0.5	0.35	4, 5, 6
M2	3	0.6	0.4	6

Figure G-27 Mounting Screw



USE AND HANDLING PRECAUTIONS

Preload

The SYBS miniature slide table is provided with a slightly positive clearance type only.

End Piece

On both ends of the SYBS miniature slide table bed section, screws are attached to prevent the ball cage from escaping. Please note that the screws are designed only to prevent the ball cage from escaping and are not intended for the use as a mechanical stopper. The ball cage may become deformed on contact with the stopper and this will result in a negative affect of the accuracy and travel life.

Lubrication

NB miniature slide table SYBS type is supplied with an initial application of lithium soap grease and therefore is ready for immediate use. Make sure to relubricate with a similar type of grease periodically according to the operating conditions. For use in clean rooms or vacuum environments, miniature slide tables without grease or with customer specified grease are available. NB also provides low

dust generation grease. Please refer to page Eng-39 for details.

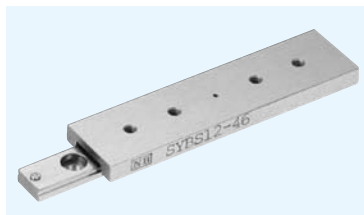
Ball Cage Slippage

When a miniature slide table is operated at high speed; when offset loads or vibrations are present, the ball cage may deviate from the normal position. Under general operating conditions it is suggested that the motion speed be kept under 30m/min. It is recommended that the table be cycled to perform maximum full stroke several times during operation. This will allow the ball cage to be returned to its normal central position.

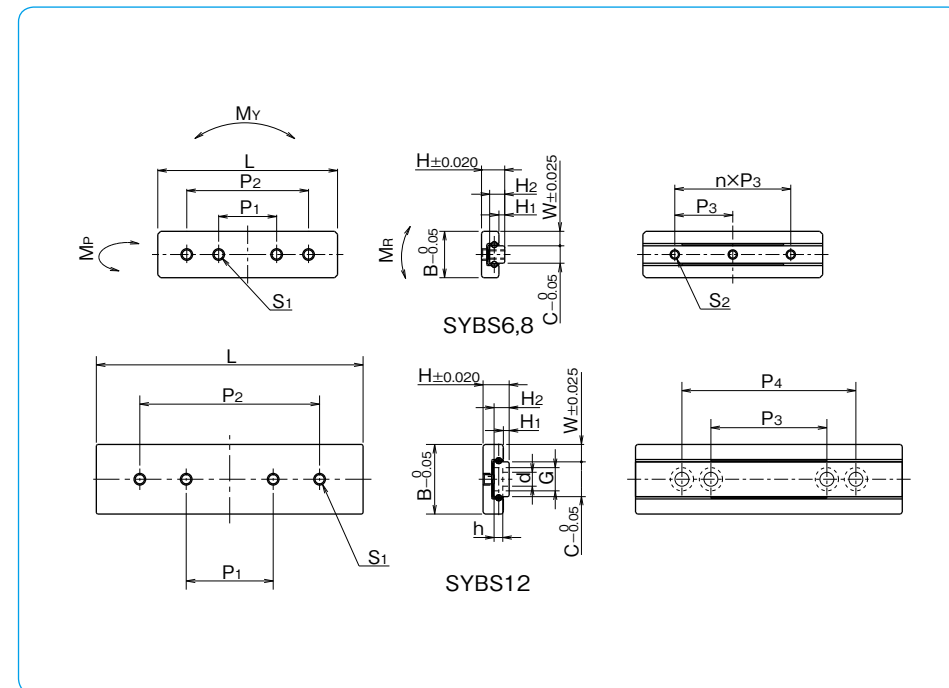
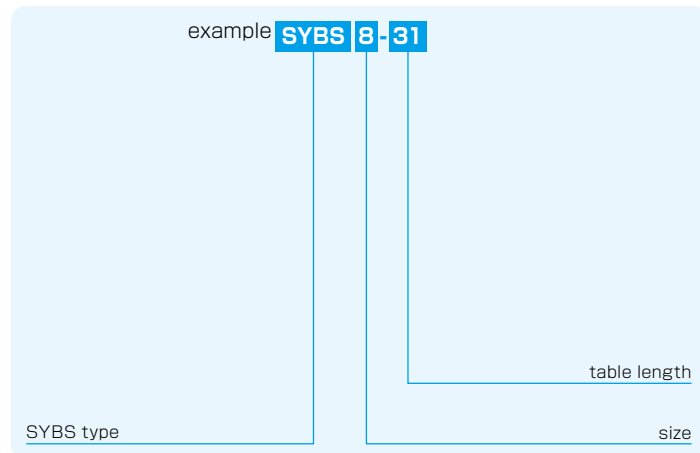
Allowable Load

The allowable load is a load under which the sum of elastic deformation of the rolling element and the raceway in the contact area subject to the maximum contact stress is small enough to guarantee smooth rolling movement. When very smooth and highly accurate liner motion is required, make sure to use the product within the allowable load values.

SYBS TYPE



part number structure



part number	major dimensions				tabel-top dimensions						S1 maximum screw penetration depth mm
	H mm	W mm	H1 mm	stroke mm	B mm	L mm	P1 mm	P2 mm	S1		
SYBS 6-13	3.2	2	0.7	5	6	13	6.0	—	M1.4	0.5	
SYBS 6-21				12		21	10.0	—			
SYBS 8-11	4	2.5	1	4	8	11	5.5	—	M2	0.7	
SYBS 8-21				12		21	10.0	—			
SYBS 8-31				18		31	10.0	21			
SYBS12-23	4.5	3	1	12	12	23	8.0	—	M2	1.2	
SYBS12-31				18		31	15.0	—			
SYBS12-46				28		46	15.0	31			

※1: Custom mounting screws are provided with the SYBS-12 type only. Other screw sizes are also available. (Please refer to page G-49)

H2 mm	C mm	bed-surface dimensions					basic load rating		allowable load F N	allowable static moment			mass g	size
		d×G×h mm	S2	P3 mm	n mm	P4 mm	dynamic C N	static Co N		MP N·m	MY N·m	MR N·m		
2.0	2	—	M1	7	1	—	154	180	60.1	0.21	0.25	0.21	1.4	6-13
				7	2	—	229	315	105	0.57	0.69	0.37	2.2	6-21
2.6	3	—	M1.6	5	1	—	201	211	70.4	0.23	0.28	0.35	2.0	8-11
				10	1	—	368	493	164	1.02	1.22	0.83	3.7	8-21
2.6	6	2.4×4×1.5 ^{※1}	—	10	2	—	473	704	234	1.97	2.35	1.19	5.5	8-31
				15	1	—	404	563	187	1.30	1.55	1.80	7.6	12-23
				15	1	—	473	704	234	1.97	2.35	2.25	10.2	12-31
				20	—	30	658	1,120	375	4.80	5.72	3.60	15.2	12-46

1N ≒ 0.102kgf 1N·m ≒ 0.102kgf·m

GONIO WAY

The NB gonio way is a curved cross roller slide way. It is a curved motion bearing utilizing low-friction, non-recirculating precision rollers. It is used when there is a need to change the gradient or obtain an accurate gradient angle without changing the center of rotation in high-precision optical and measurement equipment.

STRUCTURE AND ADVANTAGES

The NB gonio way RVF type consists of curved tracking bases with precisely ground V-grooves and flat installation surfaces, as well as curved roller cages. The NB gonio way RV type consists of curved rails with precisely machined V-grooves and curved roller cages. Precision rollers are employed as the rolling elements, since the rolling elements do not recirculate, the frictional resistance will not vary significantly, providing curved movement with extremely low frictional resistance.

Low Frictional Resistance and Minute Motion

The precision grinding and curved roller cage allow for extremely low frictional resistance. The negligible difference between static and dynamic frictions allows the gonio way to follow minute movements accurately, realizing curved movement of high accuracy.

Low Noise

Since NB gonio way employs a non-recirculating design, there is no noise from the circulating area. In addition, the curved roller cage realizes quiet operation without contact noise between the rolling elements.

High Rigidity and High Load Capacity

The rollers provide a larger contact area and less

elastic deformation compared to the ball elements. Additionally, since the rollers do not recirculate, the effective number of rotating elements is larger, resulting in high rigidity and high load capacity.

Flat Installation Surface

The flat installation surfaces of the RVF type do not require complicated machining of tables and beds when installing the product. As a result, machining costs can be reduced greatly.

Same Rotation Center

The curved V-grooves, which are finished with a precise grinding process, provide an accurate center of rotation. Furthermore, the products are composed to provide identical rotation centers when products of each size are installed to two axes. (refer to Table G-17.)

Figure G-28 Structure of Gonio Way RVF type

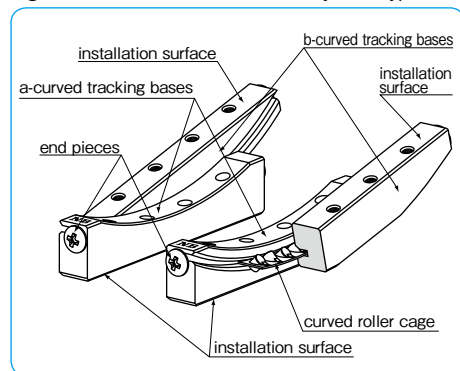
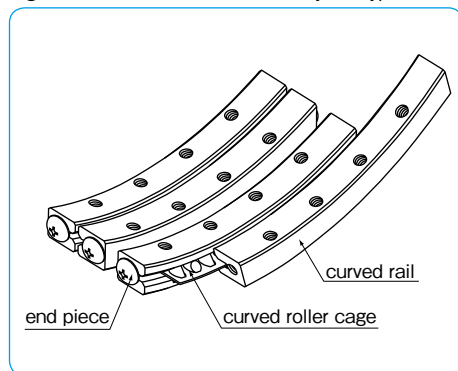


Figure G-29 Structure of Gonio Way RV type



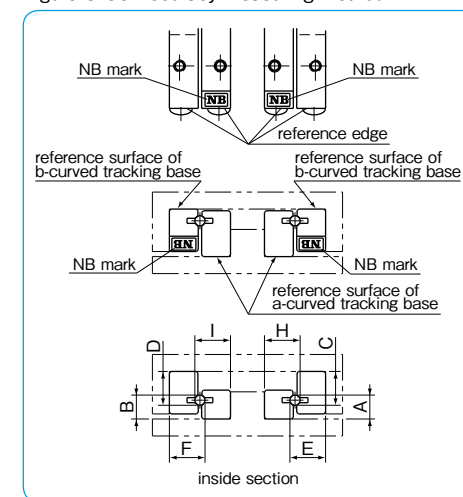
ACCURACY OF RVF TYPE

The accuracies of the gonio way RVF type are represented by mutual dimensional errors of four rails, which are measured along the overall length using the procedure as shown in Figure G-30.

Table G-13 Accuracy unit/μm

part number	mutual error between A and B mutual error between C and D	mutual error between E and F mutual error between H and I
RVF2050- 70	10	10
RVF2050- 87		
RVF2050-103		
RVF2050-120		
RVF3070- 85		
RVF3070-110		
RVF3100-125		
RVF3100-160		

Figure G-30 Accuracy Measuring Method



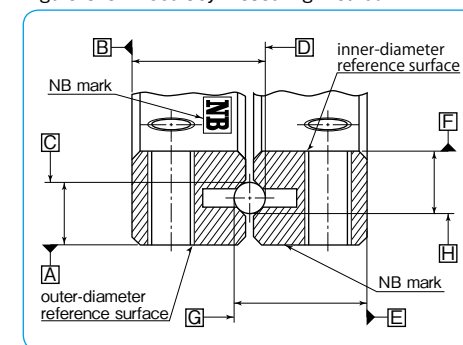
ACCURACY OF RV TYPE

The accuracies of the gonio way RV type are represented by mutual dimensional errors of four rails, which are measured along the overall length using the procedure as shown in Figure G-31.

Table G-14 Accuracy unit/μm

part number	accuracy
RV2040- 50	10
RV2060- 60	
RV3070- 90	
RV3070-110	
RV3100-160	

Figure G-31 Accuracy Measuring Method



The reference surfaces are located on the opposite side of the NB mark. There are inner reference surface and outer reference surface in one set of RV.

RATED LIFE

The life of a gonio way is obtained using the following equations.

Rated Life

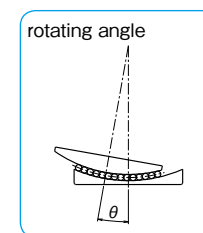
$$L = \frac{90}{\theta} \times \left(\frac{f_r}{f_w} \times \frac{C}{P} \right)^{\frac{10}{3}}$$

L: travel life (10°cycles) θ: rotating angle (degree)
 C: basic dynamic load rating (N) P: applied load (N)
 f_r: temperature coefficient f_w: applied load coefficient
 ※Refer to page Eng-5 for the coefficients.

Life Time

$$L_h = \frac{L \times 10^6}{60 \times n}$$

L_h: life time (hr)
 n: number of cycles per minute (cpm)



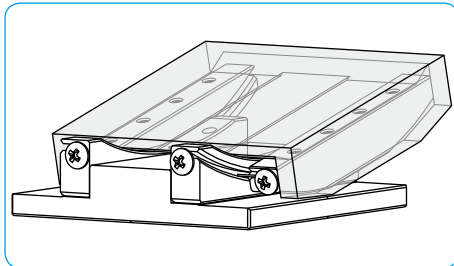
MOUNTING OF RVF TYPE

Accuracy of Mounting Surface

To maximize the performance of NB gonio way, it is important to finish the installation surface with high accuracies.

- Parallelism of surface 1 against surface A
- Perpendicularity of surface 2 against surface A
- Perpendicularity of surface 5 against surface A
- Parallelism of surface 3 against surface B
- Perpendicularity of surface 4 against surface B
- Perpendicularity of surface 6 against surface B
- Parallelism of surface 2 against surface C
- Parallelism of surface 4 against surface C

Figure G-33 Example of Installation of RVF type



Installation Procedure

Setting the curved tracking bases temporarily

- (1) Remove burrs, stains, and dust from the installation surfaces of the curved tracking bases of tables and beds. Foreign particles must be kept out of the assembly work as well.
- (2) Apply low viscosity oil to contact surfaces, check the reference edges of an a-curved tracking base and bed, and then tighten the screws temporarily. (Figure G-34a)
- (3) Align the reference edges (NB mark side) of a b-curved tracking base and an a-curved tracking base to the same orientation. Then, insert the curved roller cages between the curved tracking bases at the center area. Make sure that the curved roller cages will not interfere with the curved raceway grooves of the curved roller tracking bases. (Figure G-34b)
- (4) Check the reference edge of the table, set the table over the b-curved tracking base, and then secure the table temporarily. (Figure G-34c)

Figure G-32 Accuracy of Mounting Surface

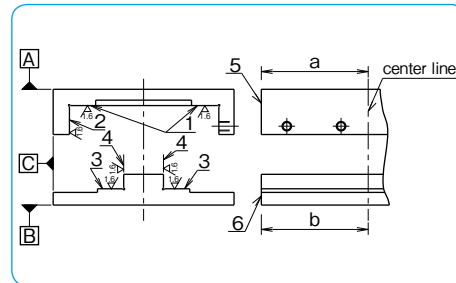
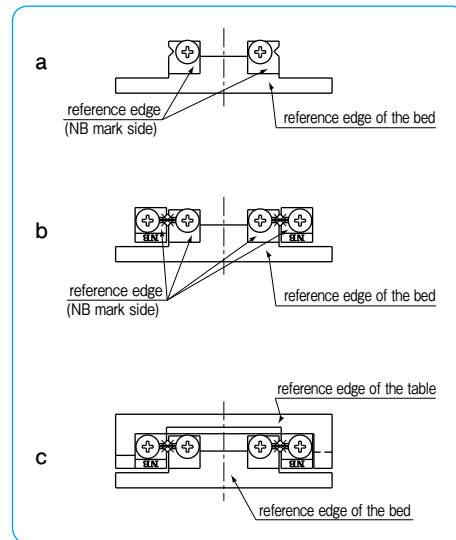


Figure G-34 Installation Method (1)



Setting four curved tracking bases in parallel position

- (5) Move the table to the maximum stroke ends of both sides and adjust the setting so that the curved roller cage is positioned at the center of the curved tracking base.
- (6) Move the table to the center position and tighten the adjustment screws with ※slightly strong torque by using a torque wrench. (Figure G-35d)
 ※"Slightly strong torque" here means slightly stronger than the torque at which the oscillation of the dial indicator is stabilized at the minimum value when the table is moved right and left, or when pressure is applied to the rolling direction while the dial indicator is attached to the side face (reference side) of the table. (Figure G-35i)
- (7) Move the table to the maximum stroke end of one side and tighten the adjustment screws on the curved roller cage with the same torque as in step (6). (Figure G-35e)
- (8) Move the table to the maximum stroke end of the other side and tighten the adjustment screws with a torque wrench by repeating the procedure above. (Figure G-35f)

Securing the curved tracking bases

- (9) Mount an edge reference plate between the reference edge of the a-curved tracking base and end piece, press it against the reference edge of the bed, and then tighten only the mounting screws in the middle. (Figure G-35g)
- (10) Repeat the procedure above to mount an edge reference plate between the reference edge of the b-curved tracking base and the end piece. Press it against the reference edge of the bed, and then tighten only the mounting screws in the middle. (Figure G-35h) In order to maintain parallelism of curved tracking bases, do not cycle the table during this process and make sure that there is no clearance between the edge of the table and the edge reference plate.
- (11) Secure the rest of the mounting screws on the curved roller cage one by one by moving the table as instructed in steps (7) and (8).

Adjusting the preload

- (12) Move the table to the right and left with the test indicator attached to the side face of the table (reference side). Or, apply pressure in the rolling direction and confirm that the oscillation of the indicator is stabilized at the minimum level. (Figure G-35i)
- (13) Return the mounting screws on the b-curved tracking base at the adjustment screw side to the temporary setting.
- (14) Return the table to the center position, slightly loosen the adjustment screws in the middle, and then gradually loosen the adjustment screws on the curved roller cage while moving the table as instructed in steps (7) and (8). Make sure not to reduce the preload too much.
- (15) Finally, secure the b-curved tracking base at the adjustment screw side, which has been installed temporarily. Secure the mounting screws on the curved roller cage one by one by moving the table as instructed above.

Figure G-35 Installation Method (2)

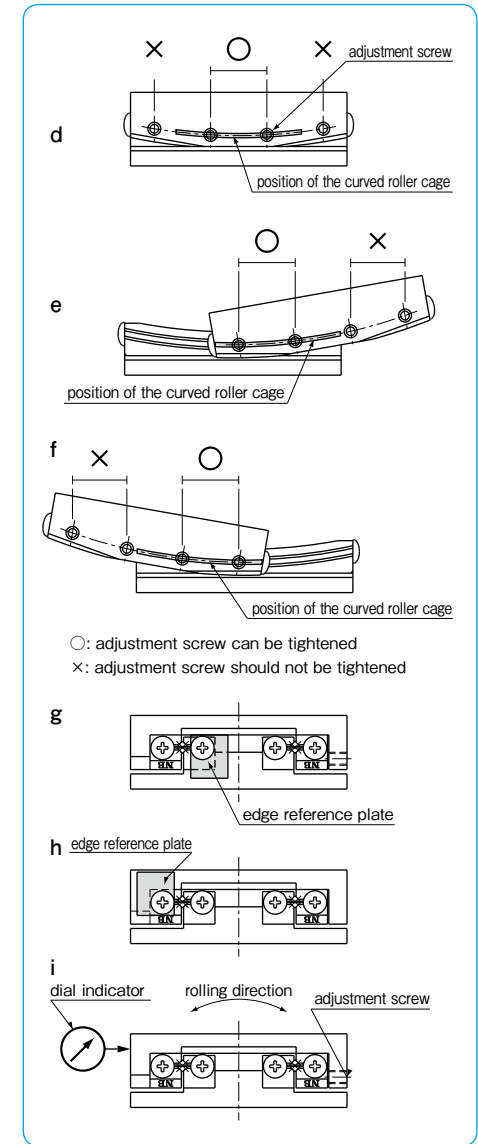


Table G-15 Recommended Torque for Mounting Screw unit/N·m

size	tightening torque
M2.5	0.5
M3	1.1

(for stainless steel screw A2-70)

MOUNTING OF RV TYPE

Accuracy of Mounting Surface

The accuracy of surfaces 1, 2, 3, and 4 (Figure G-36) directly affect the motion accuracy. To maximize the performance of NB gonio way, it is important to finish the installation surface with high accuracies.

Figure G-36 Accuracy of Mounting Surface

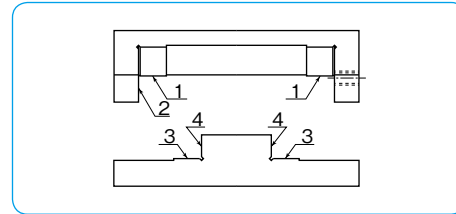
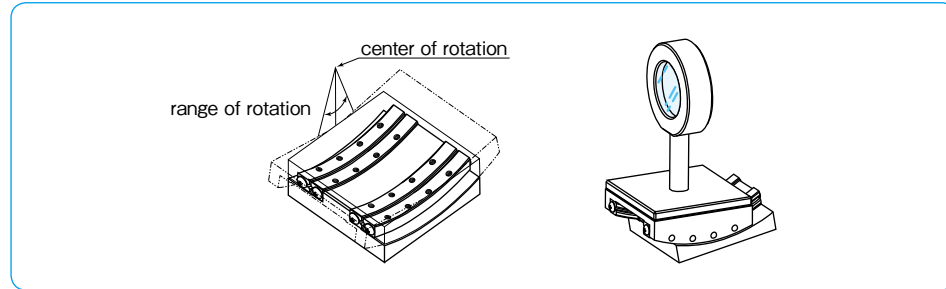


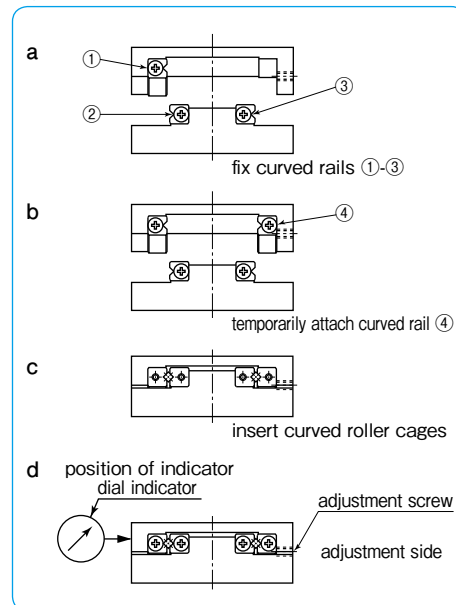
Figure G-37 Example of Installation



Installation Procedure

- (1) Remove burrs, dirt, dust, etc. from the table and the installation surfaces of the bed.
- (2) Apply a low viscosity oil to contact surfaces. Fix the rail ①inner-diameter reference surface, ②outer-diameter reference surface and ③outer-diameter reference surface by tightening screws to the specified torque. (Table G-16, Figure G-38a)
- (3) Temporarily attach the rail ④inner-diameter reference surface on curved rail to the adjustment side. (Figure G-38b)
- (4) Remove the end pieces on one side of the rails and insert roller cages to the center. (Figure G-38c)
- (5) Re-attach end pieces.
- (6) Move the table to the right and left (in the direction of the stroke) to position roller cages at the center of the curved rails.
- (7) Set an indicator at the side of the table on the reference surface. (Figure G-38d)
- (8) Move the table to one of the stroke ends and tighten the adjustment screws slightly. (Figure G-39e)

Figure G-38 Installation Method (1)



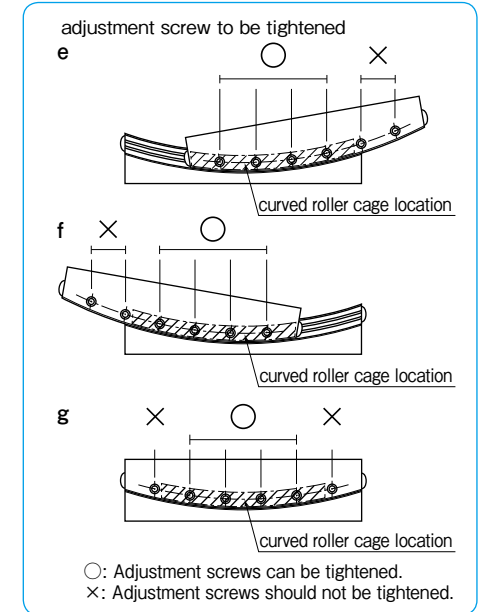
- (9) Move the table fully to the other stroke end and tighten the adjustment screws slightly. (Figure G-39f)
- (10) Move the table to the center and lightly tighten adjustment screws. (Figure G-39g)
- (11) Repeat steps (8)~(10) until there is no clearance around the table. If there is no clearance, the indicator will show a minimum fluctuation value when the table is moved to the right and left. Exercise care so as not to apply an excessive preload.
- (12) Repeat steps (8)~(10) and tighten the adjustment screws uniformly by using a torque wrench.
- (13) Fix the rail ④inner-diameter reference surface. Tighten the mounting screws sequentially by moving the table in the same manner as with the adjustment screws.

Table G-16 Recommended Torque for Mounting Screw

size	torque
M3	1

(for stainless steel screw A2-70)

Figure G-39 Installation Method (2)



RVF TYPE 2 AXES AND SPECIAL SPECIFICATIONS

When incorporating RVF type units onto two axes as illustrated in Figure G-40, adjust the height of one lifting axis as instructed in Table G-17. Then, adjust dimension b (the height of the installation surface of the a-curved tracking base) in Figure G-40 according to the table in order to obtain the identical rotation center for the two axes. In addition, requests can be made for custom specifications including table units fitted for two axes, non-standard lengths for curved tracking bases, the radius of rotation, the rotation range, and the number of rollers. Contact NB for further information.

Figure G-40 Two Axes Specification

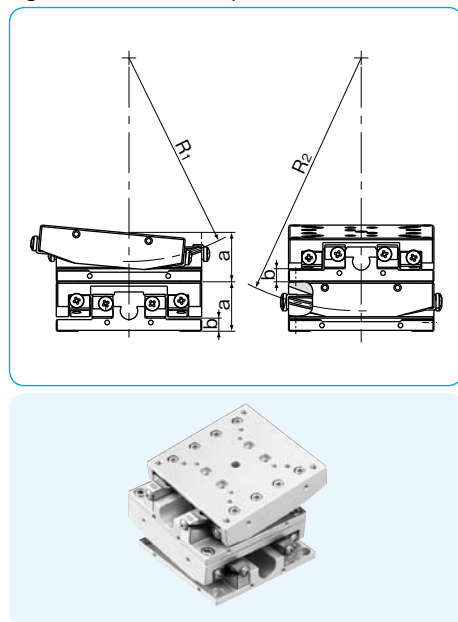


Table G-17 Two Axes Specification unit/mm

part number combination	a	R ₁	R ₂
RVF2050- 70	17	70	87
RVF2050- 87			
RVF2050-103	17	103	120
RVF2050-120			
RVF3070- 85	25	85	110
RVF3070-110			
RVF3100-125	35	125	160
RVF3100-160			

USE AND HANDLING PRECAUTIONS

Lubrication

NB gonio ways are lubricated using lithium soap based grease prior to shipment, so they can be used immediately. Make sure to relubricate with a similar type of grease periodically according to the operating conditions. NB also provides low dust generation grease for the linear system. Please refer to page Eng-39 for further details.

Dust Prevention

If a foreign matter, such as dust and dirt, enters the inside of the NB gonio way, it will deteriorate the accuracy and life of the system. A gonio way used in a harsh environment should be protected with a cover.

Operating Environment

The recommended operating temperature range of the NB gonio way is -20°C to 110°C.

Adjustment

Inaccuracy in mounting surface or improper adjustment of preload will reduce the motion accuracy, resulting in skewing and shortening of gonio way life. The adjustment should be carried out carefully.

Cage Slippage

When used under high-speed, unbalanced-load, or vibrational conditions, cage slippage may occur. The stroke length should be determined with sufficient margin, and an excessive preload should not be applied.

End Pieces

End pieces are attached to each end of the NB gonio way to prevent removal of the curved roller cage. Do not use as a mechanical stopper.

Careful Handling

Dropping the NB gonio way causes the rolling elements to make dents in the raceway surface. This will prevent smooth motion and will also affect accuracy. Be sure to handle the product with care.

Use as a Set

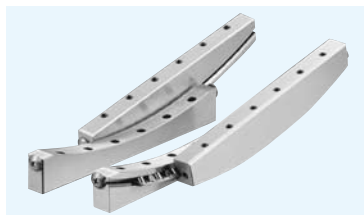
The accuracy of the rails has been matched within each set. Note that the accuracy will be affected when the rails of different sets are combined.

Allowable Load

The allowable load is a load under which the sum of elastic deformation of the rolling element and the raceway in the contact area subject to the maximum contact stress is small enough to guarantee smooth rolling movement. When very smooth and highly accurate motion is required, make sure to use the product within the allowable load.

RVF TYPE

– Gonio Way flat-installation-surface –



part number structure

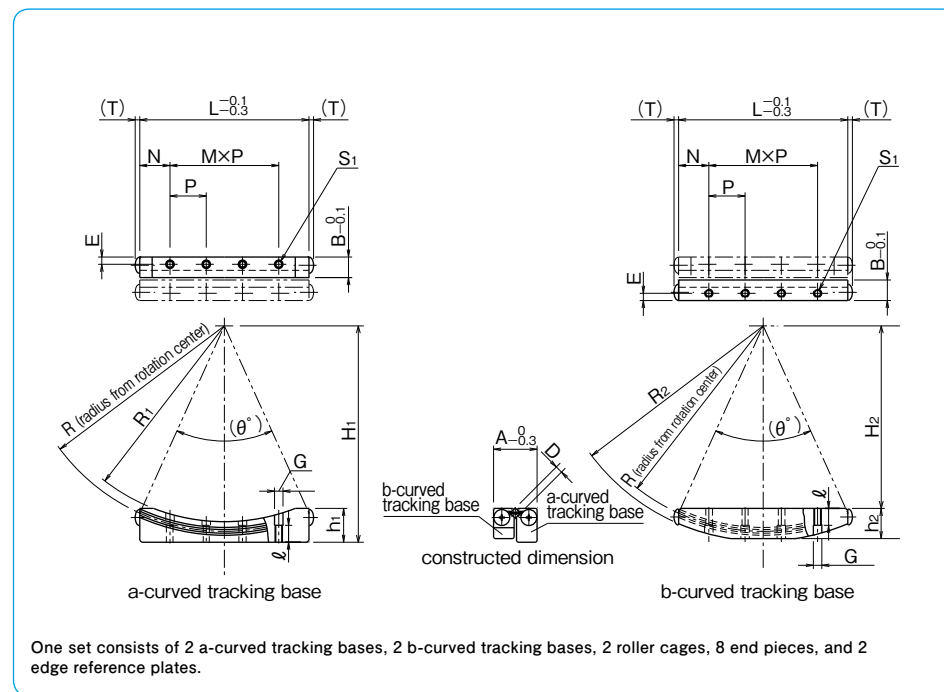
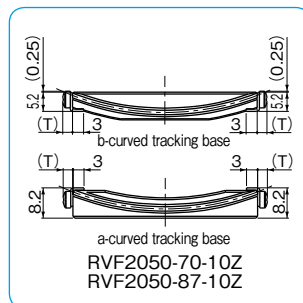
example **RVF 3 100- 125- 16Z**

RVF type

size

rail length

radius from rotation center



part number	rotation range	roller diameter D mm	number of rollers Z	major dimensions									
				L mm	R mm	R ₁ mm	R ₂ mm	H ₁ mm	H ₂ mm	h ₁ mm	h ₂ mm	A mm	B mm
RVF2050- 70-10Z	± 5°	2	10	50	70	67	73	72.5	64.5	7.5	7.5	15	7.25
RVF2050- 87-10Z			87		84	89.5	89.5	81.5	7.5	7.5			
RVF2050-103-10Z			103		100	106	105.5	97.5	7.5	8			
RVF2050-120- 9Z			120		117	123	122.5	114.5	7.5	8			
RVF3070- 85-10Z	± 10°	3	10	70	85	81	89	89.5	75.5	14	12.5	18	8.5
RVF3070-110-10Z			110		106	114	114.5	100.5	12.8	12.5			
RVF3100-125-16Z			125		121	129	129.5	110.5	17.5	18			
RVF3100-160-14Z			160		156	164	164.5	145.5	15	18			

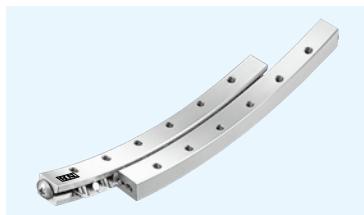
※ Please refer to page G-64 for information on cage types.

M×P mm	N mm	E mm	S ₁	ℓ mm	G mm	T mm	θ°	basic load rating		allowable load F N	mass g	part number
								dynamic C N	static Co N			
3×12.5	6.25	2.5	M2.5	4	3	2.7	41.8°	1,180	2,400	800	66	RVF2050- 70-10Z
							33.3°	1,060	2,430	810	70	RVF2050- 87-10Z
3×13	5.5	3	M3	7	3.5	1.9	28.0°	998	2,440	815	70	RVF2050-103-10Z
							24.0°	751	1,970	657	70	RVF2050-120- 9Z
3×15	12.5	3	M3	7	3.5	1.9	48.6°	2,680	5,530	1,840	182	RVF3070- 85-10Z
							37.1°	2,440	5,620	1,870	182	RVF3070-110-10Z
5×15	12.5	3	M3	7	3.5	1.9	47.1°	3,520	8,850	2,950	327	RVF3100-125-16Z
							36.4°	2,860	7,890	2,630	323	RVF3100-160-14Z

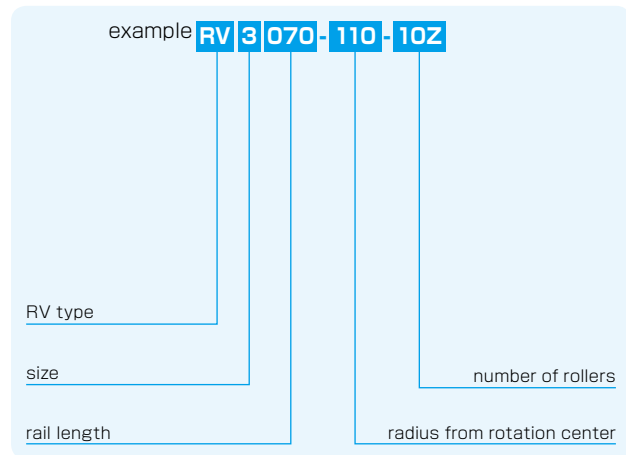
1N≒0.102kgf

RV TYPE

— Gonio Way —

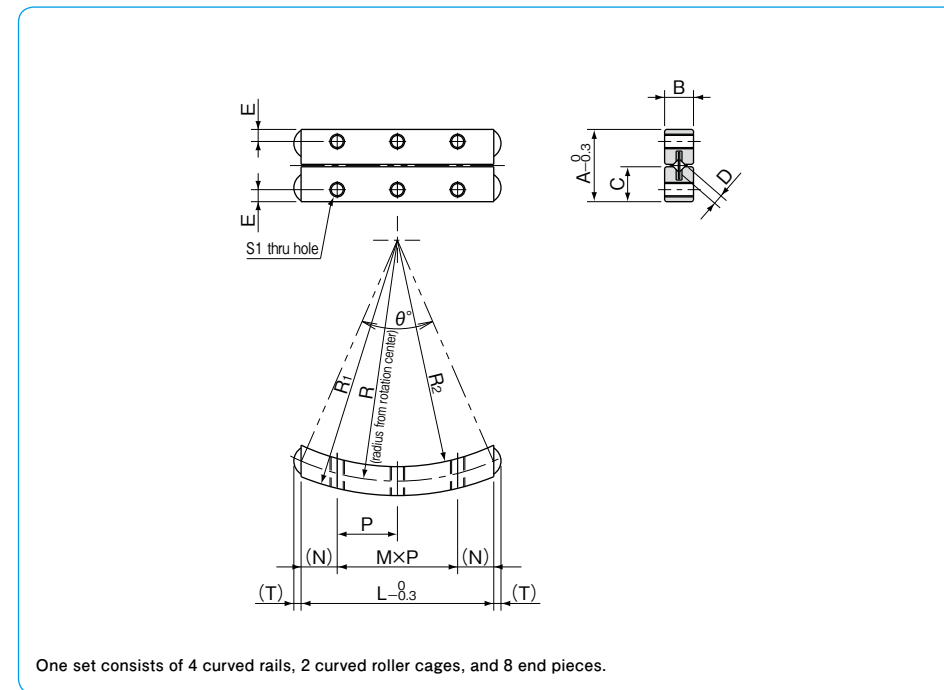


part number structure



part number	rotation range	roller diameter D mm	number of rollers Z	major dimensions						
				L mm	R mm	R ₁ mm	R ₂ mm	A mm	B mm	C mm
RV2040- 50- 7Z	±10°	2	7	40	50	53	47	15	6	7.25
RV2060- 60-12Z			12	60	60	63	57			
RV3070- 90-11Z	±10°	3	11	70	90	94	86	18	8	8.5
RV3070-110-10Z			10	70	110	114	106			
RV3100-160-14Z			14	100	160	164	156			

※ Please refer to page G-64 for information on cage types.

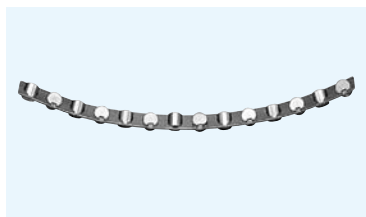


M×P mm	N mm	E mm	S ₁	T mm	θ°	basic load rating			mass g	part number
						dynamic C N	static Co N	allowable load F N		
2×12.5	7.5	2.5	M3	1.5	47.2°	820	1,440	482	49	RV2040- 50- 7Z
3×12.5	11.25				60.0°	1,490	2,800	936	75	RV2060- 60-12Z
3×15	12.5	3	M3	1.9	45.8°	2,640	5,550	1,850	137	RV3070- 90-11Z
3×15					37.1°	2,440	5,620	1,870	135	RV3070-110-10Z
5×15					36.4°	2,860	7,890	2,630	193	RV3100-160-14Z

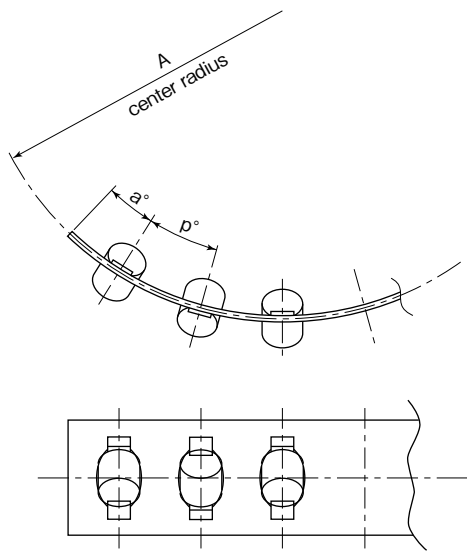
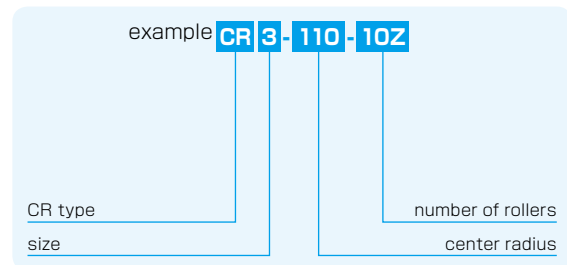
1N≒0.102kgf

CR TYPE

— Standard Curved Roller Cage —



part number structure



part number	roller diameter D mm	center radius A mm	t mm	w mm	p°	a°	applicable type
CR2- 50- 7Z	2	50	0.3	5.6	4.6°	2.9°	RV
CR2- 60-12Z		60			3.8°	2.4°	RV
CR2- 70-10Z		70			3.3°	2.0°	RVF
CR2- 87-10Z		87			2.6°	1.6°	RVF
CR2-103-10Z		103			2.2°	1.4°	RVF
CR2-120- 9Z		120			1.9°	1.2°	RVF
CR3- 85-10Z	3	85	0.4	7.2	3.4°	2.9°	RVF
CR3- 90-11Z		90			3.2°	1.9°	RV
CR3-110-10Z		110			2.6°	1.5°	RVF,RV
CR3-125-16Z		125			2.3°	1.3°	RVF
CR3-160-14Z		160			1.8°	1.0°	RVF,RV

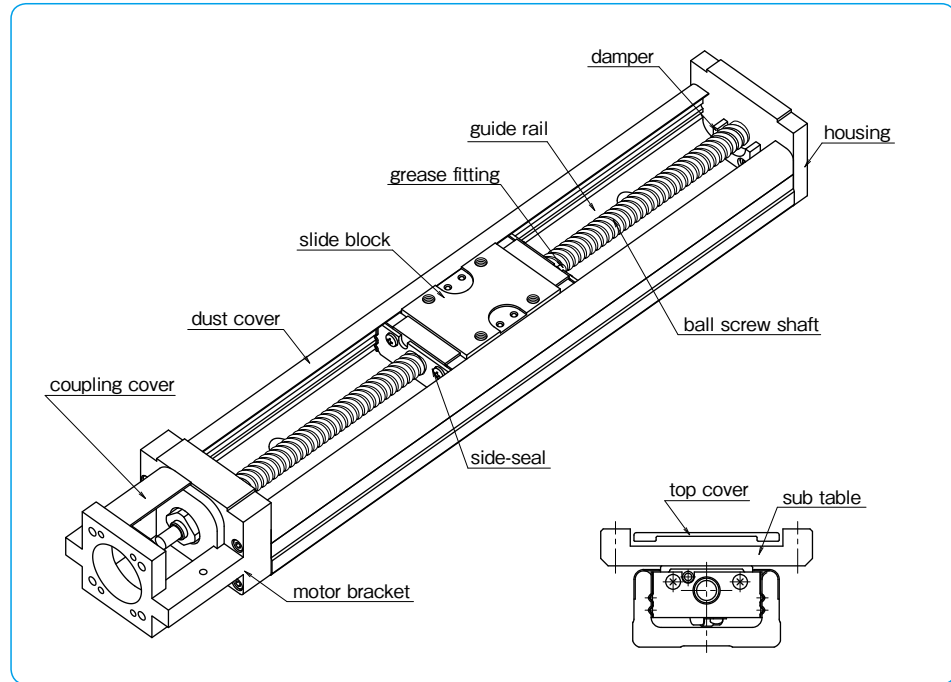
ACTUATOR

ACTUATOR

NB's BG type is a compact single axis actuator which integrates a slide guide and precision ball screw. BG type offers compact dimensions and outperforms conventional positioning tables.

This is made possible by a unique "U" shaped guide rail and slide block which provides multiple functions of a guide block and a ball screw nut combined into a single unit. The "U" shaped guide rail offers high rigidity against bending moment. This structural feature allows for integrated framework of machinery or equipment and can be cantilevered. Additionally, the slide block contains 4 ball circuits which delivers high load capacity, high accuracy and high rigidity.

Figure H-1 Structure of BG type



ADVANTAGES

Adjustment Free

The integration of the slide guide and precision ball screw eliminates complex precision adjustment and reduces installation time dramatically.

High Rigidity

"U" shaped guide rail provides very high rigidity despite its compact configuration and can be used for cantilevered application. (refer to page H-9)

High Accuracy

BG type contains four ball circuits and four-point contact ball grooves which contribute to its high rigidity. The combination of precision ground guide rail, slide block and precision ball screw provides high positioning accuracy.

Space Saving

In comparison to conventional positioning tables, the BG type allows for compact designs and dramatic space saving. The "U" shaped guide rail and integrated slide block and precision ball screw make this possible.

Figure H-2 Ball Contact Profile

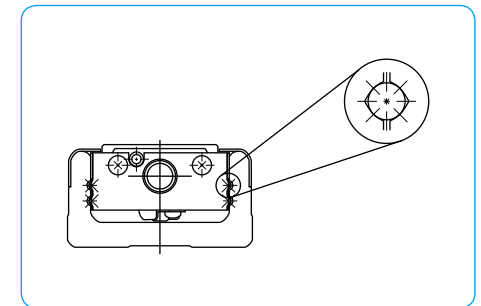
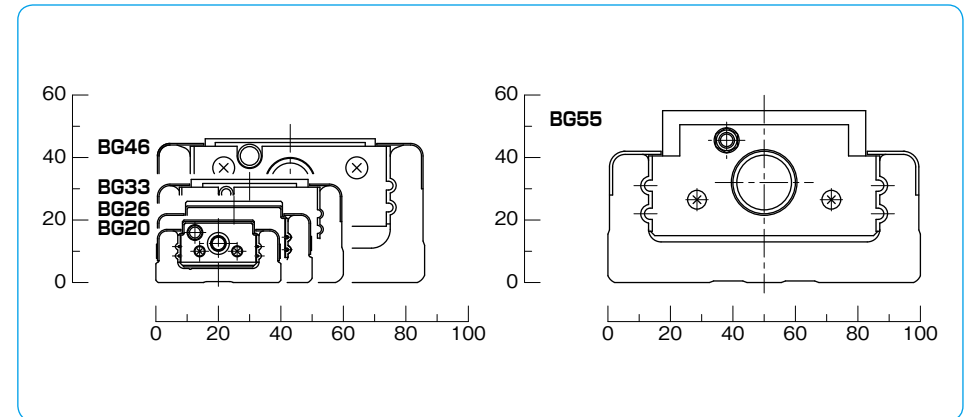
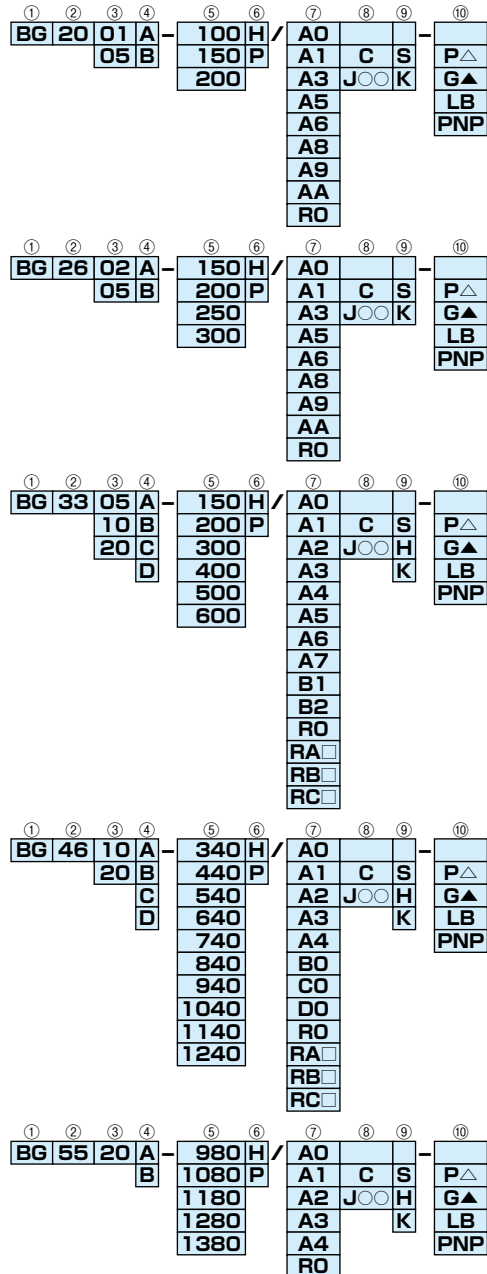


Figure H-3 Cross Section



PART NUMBER STRUCTURE

Part number for BG type is described as follows.



- ① BG type
- ② size
- ③ ball screw lead
- ④ type of block

A	1 long block
B	2 long blocks
C	1 short block
D	2 short blocks
- ※ Drive block is located closest to motor bracket side.
- ⑤ guide rail length

H	high grade
P	precision grade
- ⑥ precision grade
- ⑦ motor bracket (refer to page H-17~)

The number in the square, □, after suffix RA, RB or RC indicates the mounting direction code. (refer to page H-30, H-31)
- ⑧ cover and bellows

none	without top cover
C	with top cover + sub table
J○○	with bellows
- sensor cable outlet position (refer to page H-45)
- ⑨ sensor

none	without sensor
S	with slim-type / compact photomicro sensor
H	with close contact capable photomicro sensor
K	with proximity sensor
- ⑩ option

none	without option
PΔ	with positioning pin hole (※1)
G▲	with grease option (※2)
LB	with low temperature black chrome treatment (※3)
PNP	with PNP sensor

In case of multiple options, add + between each option.
 Example: (PS+LB+PNP)
 ※1: Δ is S or W (refer to page H-53)
 ※2: ▲ is K, U, L or F (refer to page H-16)
 Grease is applied to slide guide, ball screw, and angular bearings.
 ※3: LB is applied to steel parts except for aluminum parts and radial bearings.

SPECIFICATIONS

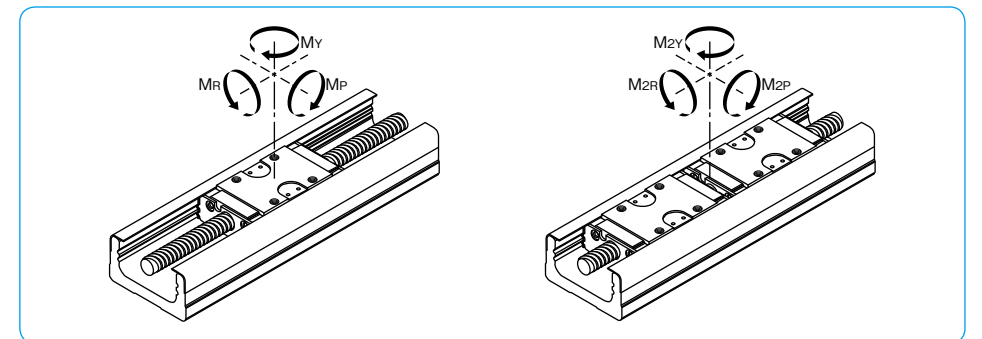
BG Type is categorized as either high grade (H) or precision grade (P).

Table H-1 Specifications

part number	BG2001	BG2005	BG2602	BG2605	BG3305	BG3310	BG3320	BG4610	BG4620	BG5520								
precision grade	high	precision	high	precision	high	precision	high	precision	high	precision								
radial clearance	μm	-3~0	-6~-3	-3~0	-6~-3	-4~0	-8~-4	-4~0	-8~-4	-3~0								
guide	long block	basic dynamic load C	kN	4.27	7.87	12.6	29.8	43.2										
		basic static load Co	kN	7.89	14.98	22.7	51.2	74.0										
		allowable static moment	M _p	N·m	35	99	181	610	1,088									
			M _{2p}	N·m	199	550	1,035	3,285	5,465									
			M _y	N·m	42	118	215	727	1,297									
	M _z		N·m	237	656	1,233	3,914	6,513										
	short block	basic dynamic load C	kN	—	—	7.8	—	19.9	—									
		basic static load Co	kN	—	—	11.4	—	28.8	—									
		allowable static moment	M _p	N·m	—	—	49	—	207	—								
			M _{2p}	N·m	—	—	368	—	1,336	—								
M _y			N·m	—	—	59	—	246	—									
M _z	N·m		—	—	439	—	1,593	—										
ball screw	shaft diameter	mm	6	8	10	12	15	20										
lead	mm	1	5	2	5	5	10	20	20									
spacer-ball ratio		—	—	—	—	1:1	—	1:1	—	1:1	—	2:1	—	2:1				
bearing support	basic dynamic load Ca	kN	0.63	0.65	2.60	2.35	3.35	2.11	2.20	1.39	2.32	1.46	4.40	2.77	4.40	3.36	5.40	4.12
	basic static load Coa	kN	1.34	0.92	3.64	3.30	5.90	2.95	3.50	1.75	4.05	2.02	7.90	3.95	7.90	5.27	10.5	7.00
bearing support	part number		—	AC5-14DF	AC6-16DF	70M8DF/GMP5	7001T2DF/GMP5	7002T2DF/GMP5										
	basic dynamic load Cb	kN	1.31	1.79	4.40	6.77	7.74											
	basic static load Cob	kN	1.25	1.76	4.36	7.45	9.50											

M_{2P}, M_{2Y} and M_{2Z} are the allowable static moments when 2 blocks are used in close contact.
 ※ Please contact NB when using BG20-P & BG26-P grade series with short and frequent stroke. (short stroke, BG2001: 7 mm or less, BG2005: 25 mm or less, BG2602: 14 mm or less and BG2605: 25 mm or less)
 Short blocks are not available for BG3320.

Figure H-4 Direction of Moment



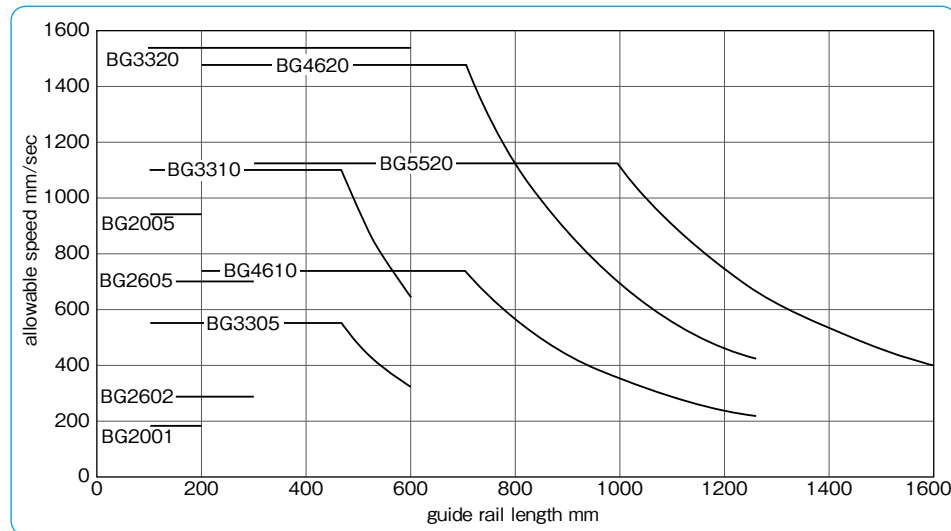
ALLOWABLE SPEED

Allowable speed of BG type is subject to the type of motor and operating conditions. The speed may also be limited by the critical speed of the ball screw. Use caution when operating at high speeds or using long rails.

Table H-2 Allowable Speed

part number	rail length mm	speed mm/sec	part number	rail length mm	speed mm/sec	part number	rail length mm	speed mm/sec	part number	rail length mm	speed mm/sec
BG2001	100	187	BG3305	150	550	BG4610	340	740	BG5520	980	1,120
	150			200			440			1,080	910
	200			300			540			1,180	750
BG2005	100	925		400			640			1,280	630
	150			500			740			1,380	530
	200			600			840				
BG2602	150	281	BG3310	150	1,100	940	390				
	200			200		1,040	315				
	250			300		1,140	260				
	300			400		1,240	220				
BG2605	150	694	BG3320	500	1,500	BG4620	340	1,480			
	200			600			440		1,300		
	250			740			540		1,000		
	300			840			640		780		
	940	740		630							
	1,040	840		520							
	1,140	940	440								
	1,240	1,040									
	1,380	1,140									
		1,240									

Figure H-5 Guide Rail Length and Allowable Speed



MASS

The mass of the BG type is listed in Table H-3 and slide block mass is listed in Table H-4.

Table H-3 Mass of BG type Actuator

unit / kg

part number	rail length mm	without top cover				with top cover				rail length mm
		long block		short block		long block		short block		
		1 block A	2 blocks B	1 block C	2 blocks D	1 block A	2 blocks B	1 block C	2 blocks D	
BG20	100	0.45	0.52	—	—	0.50	0.61	—	—	100
	150	0.58	0.65	—	—	0.63	0.74	—	—	150
	200	0.71	0.78	—	—	0.77	0.88	—	—	200
BG26	150	0.93	1.10	—	—	1.07	1.31	—	—	150
	200	1.14	1.31	—	—	1.30	1.54	—	—	200
	250	1.36	1.53	—	—	1.53	1.78	—	—	250
BG33	300	1.57	1.74	—	—	1.76	2.01	—	—	300
	150	1.6	—	1.5	1.7	1.8	—	1.6	1.9	150
	200	2.0	—	1.8	2.0	2.1	—	2.0	2.2	200
BG46	300	2.6	2.9	2.5	2.7	2.8	3.2	2.6	2.9	300
	400	3.2	3.6	3.1	3.3	3.5	3.9	3.3	3.5	400
	500	3.9	4.2	3.8	3.9	4.2	4.6	4.0	4.2	500
	600	4.6	4.9	4.4	4.6	4.9	5.3	4.7	4.9	600
	340	6.5	7.5	6.0	6.5	7.0	8.0	6.5	7.0	340
	440	8.0	8.5	7.5	8.0	8.5	9.5	8.0	8.5	440
BG55	540	9.0	10.0	8.5	9.5	10.0	11.0	9.5	10.0	540
	640	10.5	11.5	10.0	10.5	11.0	12.5	10.5	11.5	640
	740	12.0	13.0	11.5	12.0	12.5	14.0	12.0	13.0	740
	840	13.0	14.0	13.0	13.5	14.0	15.5	13.5	14.0	840
	940	14.5	15.5	14.0	14.5	15.5	16.5	15.0	15.5	940
	1,040	16.0	17.0	15.5	16.0	17.0	18.0	16.5	17.0	1,040
BG55	1,140	17.5	18.0	17.0	17.5	18.5	19.5	18.0	18.5	1,140
	1,240	18.5	19.5	18.5	19.0	19.5	21.0	19.0	20.0	1,240
	980	20	22	—	—	21	24	—	—	980
	1,080	22	24	—	—	23	26	—	—	1,080
	1,180	23	25	—	—	25	27	—	—	1,180
BG55	1,280	25	27	—	—	27	29	—	—	1,280
	1,380	27	29	—	—	29	31	—	—	1,380

A: 1 long block B: 2 long blocks C: 1 short block D: 2 short blocks

Table H-4 Mass of Block

unit / kg

part number	without top cover		with top cover	
	long block	short block	long block	short block
BG20	0.07	—	0.11	—
BG26	0.17	—	0.24	—
BG33	0.3	0.15	0.4	0.2
BG46	0.9	0.5	1.2	0.7
BG55	1.7	—	2.3	—

Mass stated "with top cover" includes mass of sub table.

INERTIA

Inertia of the slide block and ball screw of BG type are shown in Table H-5.

Table H-5 Inertia (reference) unit / kg · m²

part number	rail length mm	without top cover				with top cover				rail length mm
		long block		short block		long block		short block		
		1 block A	2 blocks B	1 block C	2 blocks D	1 block A	2 blocks B	1 block C	2 blocks D	
BG2001	100	1.34×10^{-7}	1.36×10^{-7}	—	—	1.35×10^{-7}	1.37×10^{-7}	—	—	100
	150	1.83×10^{-7}	1.85×10^{-7}	—	—	1.84×10^{-7}	1.87×10^{-7}	—	—	150
	200	2.33×10^{-7}	2.35×10^{-7}	—	—	2.34×10^{-7}	2.37×10^{-7}	—	—	200
BG2005	100	1.76×10^{-7}	2.21×10^{-7}	—	—	2.00×10^{-7}	2.69×10^{-7}	—	—	100
	150	2.26×10^{-7}	2.70×10^{-7}	—	—	2.50×10^{-7}	3.18×10^{-7}	—	—	150
	200	2.76×10^{-7}	3.20×10^{-7}	—	—	3.00×10^{-7}	3.68×10^{-7}	—	—	200
BG2602	150	6.08×10^{-7}	6.26×10^{-7}	—	—	6.16×10^{-7}	6.40×10^{-7}	—	—	150
	200	7.65×10^{-7}	7.83×10^{-7}	—	—	7.73×10^{-7}	7.97×10^{-7}	—	—	200
	250	9.22×10^{-7}	9.39×10^{-7}	—	—	9.29×10^{-7}	9.54×10^{-7}	—	—	250
	300	1.08×10^{-6}	1.10×10^{-6}	—	—	1.09×10^{-6}	1.11×10^{-6}	—	—	300
BG2605	150	6.99×10^{-7}	8.07×10^{-7}	—	—	7.44×10^{-7}	8.98×10^{-7}	—	—	150
	200	8.56×10^{-7}	9.63×10^{-7}	—	—	9.01×10^{-7}	1.05×10^{-6}	—	—	200
	250	1.01×10^{-6}	1.12×10^{-6}	—	—	1.06×10^{-6}	1.21×10^{-6}	—	—	250
	300	1.17×10^{-6}	1.28×10^{-6}	—	—	1.21×10^{-6}	1.37×10^{-6}	—	—	300
BG3305	150	1.64×10^{-6}	—	1.56×10^{-6}	1.64×10^{-6}	1.71×10^{-6}	—	1.60×10^{-6}	1.71×10^{-6}	150
	200	2.02×10^{-6}	—	1.94×10^{-6}	2.03×10^{-6}	2.09×10^{-6}	—	1.98×10^{-6}	2.10×10^{-6}	200
	300	2.79×10^{-6}	2.99×10^{-6}	2.71×10^{-6}	2.79×10^{-6}	2.86×10^{-6}	3.13×10^{-6}	2.75×10^{-6}	2.86×10^{-6}	300
	400	3.55×10^{-6}	3.75×10^{-6}	3.48×10^{-6}	3.56×10^{-6}	3.62×10^{-6}	3.89×10^{-6}	3.51×10^{-6}	3.63×10^{-6}	400
	500	4.32×10^{-6}	4.52×10^{-6}	4.24×10^{-6}	4.32×10^{-6}	4.39×10^{-6}	4.66×10^{-6}	4.28×10^{-6}	4.39×10^{-6}	500
	600	5.08×10^{-6}	5.28×10^{-6}	5.01×10^{-6}	5.09×10^{-6}	5.15×10^{-6}	5.42×10^{-6}	5.04×10^{-6}	5.16×10^{-6}	600
BG3310	150	2.19×10^{-6}	—	1.88×10^{-6}	2.21×10^{-6}	2.47×10^{-6}	—	2.02×10^{-6}	2.49×10^{-6}	150
	200	2.57×10^{-6}	—	2.27×10^{-6}	2.59×10^{-6}	2.85×10^{-6}	—	2.40×10^{-6}	2.87×10^{-6}	200
	300	3.34×10^{-6}	4.14×10^{-6}	3.03×10^{-6}	3.36×10^{-6}	3.61×10^{-6}	4.69×10^{-6}	3.17×10^{-6}	3.64×10^{-6}	300
	400	4.10×10^{-6}	4.90×10^{-6}	3.80×10^{-6}	4.12×10^{-6}	4.38×10^{-6}	5.46×10^{-6}	3.94×10^{-6}	4.40×10^{-6}	400
	500	4.87×10^{-6}	5.67×10^{-6}	4.56×10^{-6}	4.89×10^{-6}	5.15×10^{-6}	6.22×10^{-6}	4.70×10^{-6}	5.17×10^{-6}	500
BG3320	150	5.94×10^{-6}	—	—	—	7.06×10^{-6}	—	—	—	150
	200	6.74×10^{-6}	—	—	—	7.85×10^{-6}	—	—	—	200
	300	8.33×10^{-6}	1.15×10^{-5}	—	—	9.44×10^{-6}	1.38×10^{-5}	—	—	300
	400	9.91×10^{-6}	1.31×10^{-5}	—	—	1.10×10^{-5}	1.53×10^{-5}	—	—	400
	500	1.15×10^{-5}	1.47×10^{-5}	—	—	1.26×10^{-5}	1.69×10^{-5}	—	—	500
	600	1.31×10^{-5}	1.63×10^{-5}	—	—	1.42×10^{-5}	1.85×10^{-5}	—	—	600
BG4610	340	1.79×10^{-5}	2.02×10^{-5}	1.69×10^{-5}	1.82×10^{-5}	1.87×10^{-5}	2.17×10^{-5}	1.74×10^{-5}	1.92×10^{-5}	340
	440	2.18×10^{-5}	2.41×10^{-5}	2.08×10^{-5}	2.20×10^{-5}	2.25×10^{-5}	2.56×10^{-5}	2.13×10^{-5}	2.31×10^{-5}	440
	540	2.57×10^{-5}	2.79×10^{-5}	2.46×10^{-5}	2.59×10^{-5}	2.64×10^{-5}	2.95×10^{-5}	2.52×10^{-5}	2.69×10^{-5}	540
	640	2.95×10^{-5}	3.18×10^{-5}	2.85×10^{-5}	2.98×10^{-5}	3.03×10^{-5}	3.33×10^{-5}	2.90×10^{-5}	3.08×10^{-5}	640
	740	3.34×10^{-5}	3.57×10^{-5}	3.24×10^{-5}	3.37×10^{-5}	3.42×10^{-5}	3.72×10^{-5}	3.29×10^{-5}	3.47×10^{-5}	740
	840	3.73×10^{-5}	3.96×10^{-5}	3.63×10^{-5}	3.75×10^{-5}	3.80×10^{-5}	4.11×10^{-5}	3.67×10^{-5}	3.83×10^{-5}	840
	940	4.12×10^{-5}	4.35×10^{-5}	4.02×10^{-5}	4.14×10^{-5}	4.19×10^{-5}	4.50×10^{-5}	4.06×10^{-5}	4.22×10^{-5}	940
	1,040	4.50×10^{-5}	4.74×10^{-5}	4.41×10^{-5}	4.53×10^{-5}	4.58×10^{-5}	4.88×10^{-5}	4.44×10^{-5}	4.61×10^{-5}	1,040
	1,140	4.89×10^{-5}	5.12×10^{-5}	4.79×10^{-5}	4.92×10^{-5}	4.97×10^{-5}	5.27×10^{-5}	4.83×10^{-5}	4.99×10^{-5}	1,140
	1,240	5.28×10^{-5}	5.51×10^{-5}	5.18×10^{-5}	5.30×10^{-5}	5.35×10^{-5}	5.66×10^{-5}	5.22×10^{-5}	5.38×10^{-5}	1,240
BG4620	340	2.47×10^{-5}	3.39×10^{-5}	2.07×10^{-5}	2.58×10^{-5}	2.78×10^{-5}	3.99×10^{-5}	2.27×10^{-5}	2.98×10^{-5}	340
	440	2.86×10^{-5}	3.77×10^{-5}	2.46×10^{-5}	2.96×10^{-5}	3.17×10^{-5}	4.38×10^{-5}	2.66×10^{-5}	3.37×10^{-5}	440
	540	3.25×10^{-5}	4.16×10^{-5}	2.84×10^{-5}	3.35×10^{-5}	3.55×10^{-5}	4.77×10^{-5}	3.05×10^{-5}	3.76×10^{-5}	540
	640	3.63×10^{-5}	4.55×10^{-5}	3.23×10^{-5}	3.74×10^{-5}	3.94×10^{-5}	5.16×10^{-5}	3.44×10^{-5}	4.14×10^{-5}	640
	740	4.03×10^{-5}	4.94×10^{-5}	3.62×10^{-5}	4.13×10^{-5}	4.33×10^{-5}	5.55×10^{-5}	3.82×10^{-5}	4.53×10^{-5}	740
	840	4.41×10^{-5}	5.34×10^{-5}	4.02×10^{-5}	4.51×10^{-5}	4.71×10^{-5}	5.93×10^{-5}	4.17×10^{-5}	4.82×10^{-5}	840
	940	4.80×10^{-5}	5.72×10^{-5}	4.41×10^{-5}	4.90×10^{-5}	5.09×10^{-5}	6.32×10^{-5}	4.56×10^{-5}	5.21×10^{-5}	940
	1,040	5.19×10^{-5}	6.11×10^{-5}	4.80×10^{-5}	5.29×10^{-5}	5.48×10^{-5}	6.71×10^{-5}	4.95×10^{-5}	5.59×10^{-5}	1,040
BG5520	1,140	5.57×10^{-5}	6.50×10^{-5}	5.18×10^{-5}	5.68×10^{-5}	5.87×10^{-5}	7.09×10^{-5}	5.34×10^{-5}	5.98×10^{-5}	1,140
	1,240	5.96×10^{-5}	6.89×10^{-5}	5.57×10^{-5}	6.06×10^{-5}	6.26×10^{-5}	7.48×10^{-5}	5.72×10^{-5}	6.37×10^{-5}	1,240
	980	1.46×10^{-4}	1.64×10^{-4}	—	—	1.52×10^{-4}	1.76×10^{-4}	—	—	980
	1,080	1.59×10^{-4}	1.76×10^{-4}	—	—	1.65×10^{-4}	1.88×10^{-4}	—	—	1,080
	1,180	1.71×10^{-4}	1.88×10^{-4}	—	—	1.77×10^{-4}	2.00×10^{-4}	—	—	1,180
	1,280	1.83×10^{-4}	2.00×10^{-4}	—	—	1.89×10^{-4}	2.12×10^{-4}	—	—	1,280
1,380	1.95×10^{-4}	2.13×10^{-4}	—	—	2.01×10^{-4}	2.25×10^{-4}	—	—	1,380	

RIGIDITY

By utilizing four-circuit and four-point contact structure, the BG type provides extremely high rigidity. Figure H-6 shows displacement of each size of long block against radial load. Table H-6 shows the geometrical moment of inertia of guide rails.

Figure H-6 Block Displacement against Radial Load

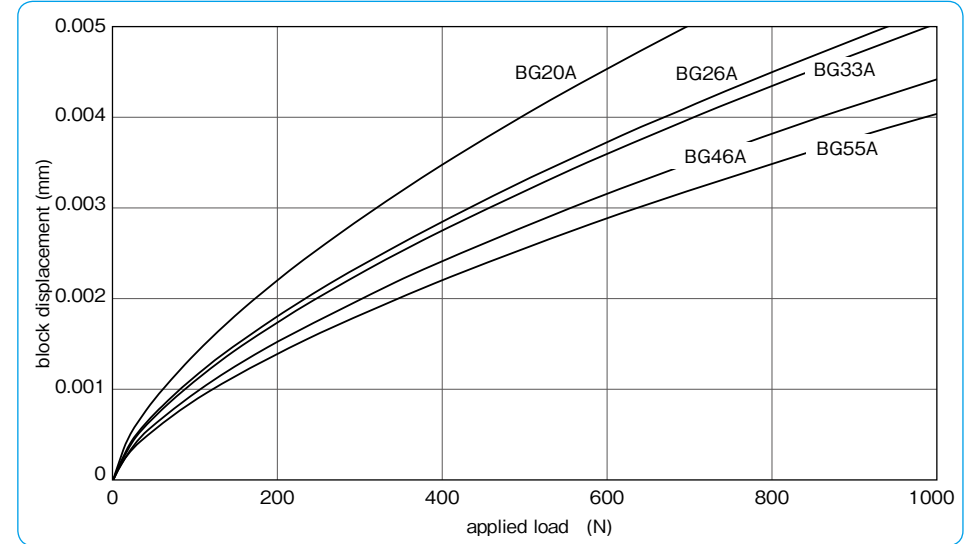
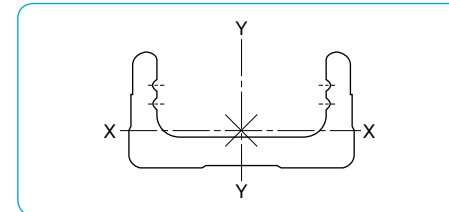


Table H-6 Geometrical Moment of Inertia of Guide Rail



part number	geometrical moment of inertia (mm ⁴)		mass W (kg/100mm)
	I _x (X Axis)	I _y (Y Axis)	
BG20	6.50×10^3	6.00×10^4	0.25
BG26	1.69×10^4	1.47×10^5	0.38
BG33	5.11×10^4	3.42×10^5	0.60
BG46	2.42×10^5	1.49×10^6	1.24
BG55	2.29×10^5	2.28×10^6	1.50

ACCURACY

Table H-7 shows accuracy of BG type.

Table H-7 Accuracy

part number	rail length mm	positioning repeatability		positioning accuracy		running parallelism B		backlash		※starting torque							
		high μm	precision μm	high μm	precision μm	high μm	precision μm	high μm	precision μm	high N·m	precision N·m						
BG20	100	± 3	± 1	50	20	25	10	5	2	0.01	0.012						
	150																
	200																
BG26	150	± 3	± 1	50	20	25	10	5	2	0.015	0.04						
	200																
	250																
	300																
BG33	150	± 3	± 1	30	15	25	10	5	2	0.07	0.15						
	200																
	300			(± 3)	35	20											
	400				40	25	15										
	500				70	—	—										
600	—	—	—	—	—	—	—	—	—	—							
BG46	340	± 3	± 1	35	20	35	15	5	2	0.10	0.15						
	440																
	540			(± 3)	40	25											
	640				50	30	40					20					
	740				80	—	—					—					
	840			—	—	—	—					50	—	—	—	—	—
	940																
	1,040																
1,140	100	—	—	—	—	—	—	—	—	—							
1,240																	
BG55	980	± 3	± 1	80	35	50	25	5	2	0.12	0.17						
	1,080																
	1,180			100	—	—	—					—	—	—	—		
	1,280																
	1,380																

Above values are measured by using our selected motors.
 ※ Above specifications are based on using NB standard grease. Other grease may cause deviations.
 The values in the parentheses are positioning repeatability when used with return pully unit.

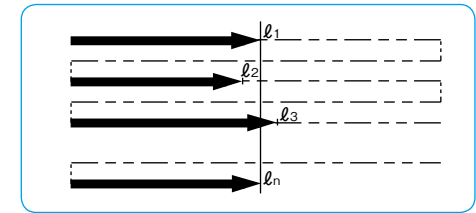
Positioning Repeatability

After setting an arbitrary position, from one end, move the drive block to this position and measure the stop position. Repeat the positioning and measurement process 7 times with respect to the setting position at the midpoint and near both ends of travel. Take the maximum difference and divide it by 2, then indicate it with a positive and negative sign as the test result.

Positioning Repeatability

$$= \pm \frac{1}{2} (\text{maximum value of } \ell_n - \text{minimum value of } \ell_n)$$

Figure H-7 Positioning Repeatability

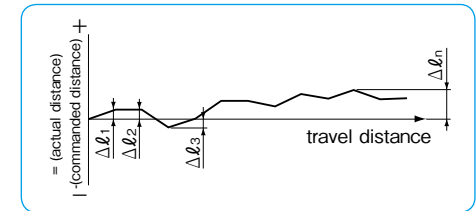


Positioning Accuracy

Positioning is performed in one direction and the resulting position is set as the datum point. Take the difference between the actual travel distance and the commanded travel distance from the datum point. Continuing in the same direction (without returning to the start point) repeat this process randomly several times until nearing to the stroke limit. Express the accuracy by the absolute maximum difference.

$$\text{Positioning Accuracy} = (\Delta \ell_n)_{\text{max}}$$

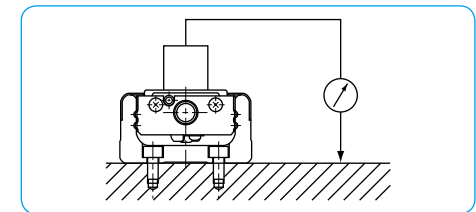
Figure H-8 Positioning Accuracy



Running Parallelism B

After fixing the guide rail onto the surface plate, placing the dial test indicator on the center of the slide block and connecting the indicator probe onto the mounting surface, run the block over the entire travel distance. Take the maximum deviation in readings as the test result.

Figure H-9 Running Parallelism

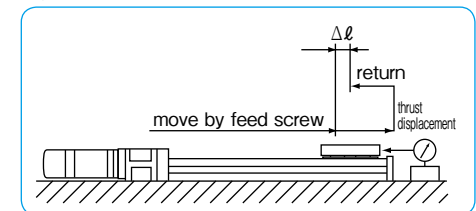


Backlash

Using the feed screw to move the slide block a little, take the dial test indicator reading and make it the datum point. While in this position, thrust the block by a certain force in the same direction without using the feed screw. Release the thrust and read the return, then take the difference from the datum point. Repeat the same process at the midpoint and near both ends of travel. Take the maximum difference as the test result.

$$\text{Backlash} = \Delta \ell$$

Figure H-10 Backlash



RATED LIFE

To obtain the rated life of the BG type, calculate the rated life of the guide portion, ball screw portion and support bearing portion. Use the minimum value as the rated life of the BG type.

A. Life of Guide Portion

Use the following equation for calculating the rated life of guide portion.

$$L_G = \left(\frac{f_c}{f_w} \cdot \frac{C}{P_T} \right)^3 \cdot 50 \dots\dots\dots (1)$$

L_G : rated life (km) f_c : contact coefficient (refer to Table H-8)
 f_w : applied load coefficient (refer to Table H-9)
 C : basic dynamic load rating (N)
 P_T : calculated load applied to one block (N)

A.1. Calculation of P_T

Before calculating the rated life using the equation (1), the calculated load applied to one block (P_T) needs to be obtained in consideration of the moment load, etc. that will be actually applied. For rapidly-accelerating or short stroke motion, P_T needs to be calculated with acceleration taken into consideration. The calculation of this acceleration will be carried out for the mass applied to BG. Obtain the calculated load during uniform motion, acceleration, and deceleration, and use the average value of the three as P_T .

For the calculation of P_T , select an appropriate equation depending on the installation conditions of the guide.

It is also possible to calculate P_T without including the effect of acceleration by using the equation " $P_T = P_{TC}$ (see the equations (2), (5), and (8)). In this case, however, the obtained value is a rough approximation, so a selection with sufficient margin is recommended.

Table H-8 Contact Coefficient (f_c)

number of blocks in close contact on one axis	contact coefficient (f_c)
1	1.0
2	0.81

Table H-9 Applied Load Coefficient (f_w)

operating conditions		applied load coefficient (f_w)
vibration, impact	velocity	
none	15m/min or less	1.0 ~ 1.5
low	60m/min or less	1.5 ~ 2.0
high	60m/min or more	2.0 ~ 3.5

Table H-10 Moment Equivalent Coefficient

	E_p (E2p)	E_y (E2y)	E_r (E2r)
BG20**A	2.25×10^{-1}	1.89×10^{-1}	7.84×10^{-2}
BG20**B	3.98×10^{-2}	3.34×10^{-2}	3.92×10^{-2}
BG26**A	1.51×10^{-1}	1.27×10^{-1}	5.88×10^{-2}
BG26**B	2.72×10^{-2}	2.28×10^{-2}	2.94×10^{-2}
BG33**A	1.26×10^{-1}	1.06×10^{-1}	4.55×10^{-2}
BG33**B	2.20×10^{-2}	1.84×10^{-2}	2.27×10^{-2}
BG33**C	2.31×10^{-1}	1.94×10^{-1}	4.55×10^{-2}
BG33**D	3.09×10^{-2}	2.59×10^{-2}	2.27×10^{-2}
BG46**A	8.39×10^{-2}	7.04×10^{-2}	3.17×10^{-2}
BG46**B	1.56×10^{-2}	1.31×10^{-2}	1.59×10^{-2}
BG46**C	1.39×10^{-1}	1.17×10^{-1}	3.17×10^{-2}
BG46**D	2.15×10^{-2}	1.81×10^{-2}	1.59×10^{-2}
BG55**A	6.80×10^{-2}	5.71×10^{-2}	2.74×10^{-2}
BG55**B	1.35×10^{-2}	1.14×10^{-2}	1.37×10^{-2}

※The E2 coefficient is for two blocks being used in close contact.

A.1.a. P_T for Horizontal Move (Horizontal Mounting)

i) during uniform motion (P_{TC})

$$P_{TC} = \frac{1}{n} \cdot W + Ep \cdot M_{pL} + Ey \cdot M_{yL} + Er \cdot M_{rL} \dots\dots\dots (2)$$

ii) during acceleration (P_{Ta})

$$P_{Ta} = \frac{1}{n} \cdot W + Ep(M_{pL} + m \cdot \alpha_a \cdot Z) + Ey(M_{yL} + m \cdot \alpha_a \cdot X) + Er \cdot M_{rL} \dots\dots\dots (3)$$

Note that the values of ($M_{pL} + m \cdot \alpha_a \cdot Z$) and ($M_{yL} + m \cdot \alpha_a \cdot X$) will be treated as 0 (zero) when the calculated value is negative.

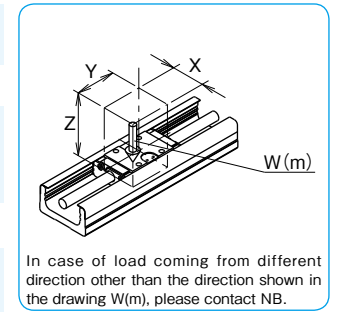
iii) during deceleration (P_{Td})

$$P_{Td} = \frac{1}{n} \cdot W + Ep(M_{pL} + m \cdot \alpha_d \cdot Z) + Ey(M_{yL} + m \cdot \alpha_d \cdot X) + Er \cdot M_{rL} \dots\dots\dots (4)$$

Note that the values of ($M_{pL} + m \cdot \alpha_d \cdot Z$) and ($M_{yL} + m \cdot \alpha_d \cdot X$) will be treated as 0 (zero) when the calculated value is negative.

P_{TC} : calculated load applied to a block during uniform motion (N) P_{Ta} : calculated load applied to a block during accelerating (N)
 P_{Td} : calculated load applied to a block during decelerating (N) n : number of blocks of BG W : applied load (N) m : carrying mass (kg)
 α_a : acceleration during accelerating (m/sec²) α_d : acceleration during decelerating (m/sec²) (the negative value)
 X : distance between the center of BG and the center of the carrying mass (mm)
 Y : distance between the center of BG and the center of the carrying mass (mm)
 Z : distance between the center of BG ball screw and the center of the carrying mass (mm)
 Ep : moment equivalent coefficient in the pitching direction (refer to Table H-10)
 Ey : moment equivalent coefficient in the yawing direction (refer to Table H-10)
 Er : moment equivalent coefficient in the rolling direction (refer to Table H-10)
 M_{pL} : applied moment in the pitching direction (N · mm) $M_{pL} = W \cdot Y$
 M_{yL} : applied moment in the yawing direction (N · mm) $M_{yL} = 0$
 M_{rL} : applied moment in the rolling direction (N · mm) $M_{rL} = W \cdot X$ ※Refer to Fig.H-4 for the direction of moment.

Figure H-11



In case of load coming from different direction other than the direction shown in the drawing W(m), please contact NB.

A.1.b. P_T for Horizontal Move (Wall Mounting)

i) during uniform motion (P_{TC})

$$P_{TC} = \frac{1}{1.19 \cdot n} \cdot W + Ep \cdot M_{pL} + Ey \cdot M_{yL} + Er \cdot M_{rL} \dots\dots\dots (5)$$

ii) during acceleration (P_{Ta})

$$P_{Ta} = \frac{1}{1.19 \cdot n} \cdot W + Ep(M_{pL} + m \cdot \alpha_a \cdot Z) + Ey(M_{yL} + m \cdot \alpha_a \cdot X) + Er \cdot M_{rL} \dots\dots\dots (6)$$

Note that the values of ($M_{pL} + m \cdot \alpha_a \cdot Z$) and ($M_{yL} + m \cdot \alpha_a \cdot X$) will be treated as 0 (zero) when the calculated value is negative.

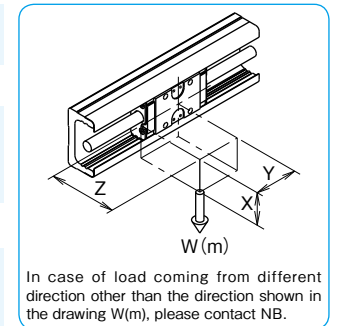
iii) during deceleration (P_{Td})

$$P_{Td} = \frac{1}{1.19 \cdot n} \cdot W + Ep(M_{pL} + m \cdot \alpha_d \cdot Z) + Ey(M_{yL} + m \cdot \alpha_d \cdot X) + Er \cdot M_{rL} \dots\dots\dots (7)$$

Note that the values of ($M_{pL} + m \cdot \alpha_d \cdot Z$) and ($M_{yL} + m \cdot \alpha_d \cdot X$) will be treated as 0 (zero) when the calculated value is negative.

P_{TC} : calculated load applied to a block during uniform motion (N) P_{Ta} : calculated load applied to a block during accelerating (N)
 P_{Td} : calculated load applied to a block during decelerating (N) n : number of blocks of BG W : applied load (N) m : carrying mass (kg)
 α_a : acceleration during accelerating (m/sec²) α_d : acceleration during decelerating (m/sec²) (the negative value)
 X : distance between the center of BG and the center of the carrying mass (mm)
 Y : distance between the center of BG and the center of the carrying mass (mm)
 Z : distance between the center of BG ball screw and the center of the carrying mass (mm)
 Ep : moment equivalent coefficient in the pitching direction (refer to Table H-10) Ey : moment equivalent coefficient in the yawing direction (refer to Table H-10) Er : moment equivalent coefficient in the rolling direction (refer to Table H-10)
 M_{pL} : applied moment in the pitching direction (N · mm) $M_{pL} = 0$
 M_{yL} : applied moment in the yawing direction (N · mm) $M_{yL} = W \cdot Y$
 M_{rL} : applied moment in the rolling direction (N · mm) $M_{rL} = W \cdot Z$ ※Refer to Fig. H-4 for the direction of moment.

Figure H-12



In case of load coming from different direction other than the direction shown in the drawing W(m), please contact NB.

A.1.c. P_T for Vertical Move

i) during uniform motion (P_{Tc})

$$P_{Tc} = E_p \cdot M_{bL} + E_y \cdot M_{yL} + E_r \cdot M_{rL} \quad \dots \quad (8)$$

ii) during acceleration (P_{Ta})

$$P_{Ta} = E_p(M_{pL} + m \cdot \alpha_a \cdot Z) + E_y(M_{yL} + m \cdot \alpha_a \cdot X) + E_r \cdot M_{rL} \quad \dots \quad (9)$$

Note that the values of (M_{pL}+m·α_a·Z) and (M_{yL}+m·α_a·X) will be treated as 0 (zero) when the calculated value is negative.

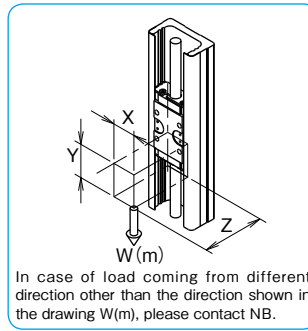
iii) during deceleration (P_{Td})

$$P_{Td} = E_p(M_{pL} + m \cdot \alpha_d \cdot Z) + E_y(M_{yL} + m \cdot \alpha_d \cdot X) + E_r \cdot M_{rL} \quad \dots \quad (10)$$

Note that the values of (M_{pL}+m·α_d·Z) and (M_{yL}+m·α_d·X) will be treated as 0 (zero) when the calculated value is negative.

P_{Tc}: calculated load applied to a block during uniform motion(N) P_{Ta}: calculated load applied to a block during accelerating(N) P_{Td}: calculated load applied to a block during decelerating(N) n: number of blocks of BG W: applied load(N) m: carrying mass(kg) α_a: acceleration during accelerating(m/sec²) α_d: acceleration during decelerating(m/sec²) (the negative value) X: distance between the center of BG and the center of the carrying mass(mm) Y: distance between the center of BG and the center of the carrying mass(mm) Z: distance between the center of BG ball screw and the center of the carrying mass(mm) E_p: moment equivalent coefficient in the pitching direction (refer to Table H-10) E_y: moment equivalent coefficient in the yawing direction (refer to Table H-10) E_r: moment equivalent coefficient in the rolling direction (refer to Table H-10) M_{pL}: applied moment in the pitching direction (N·mm) M_{pL}=W·Z M_{yL}: loaded moment in the yawing direction (N·mm) M_{yL}=W·X M_{rL}: applied moment in the rolling direction (N·mm) M_{rL}=0 ※Refer to Fig. H-4 for the direction of moment.

Figure H-13



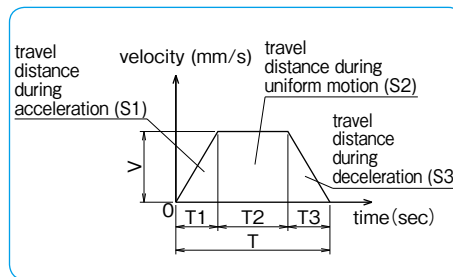
A.1.d.

Obtain the calculated load applied to a block (P_T) by calculating the average load of each motion using an appropriate equation among those shown above according to the application.

$$P_T = \sqrt[3]{\frac{1}{S_1+S_2+S_3} (P_{Ta}^3 \cdot S_1 + P_{Tc}^3 \cdot S_2 + P_{Td}^3 \cdot S_3)} \quad \dots \quad (11)$$

P_T: calculated load applied to one block (N) S₁: travel distance during acceleration (mm) (refer to Figure H-14) S₂: travel distance during uniform motion (mm) (refer to Figure H-14) S₃: travel distance during deceleration (mm) (refer to Figure H-14) P_{Ta}: calculated load applied to one block during accelerating (N): equation (3), (6), and (9) P_{Tc}: calculated load applied to one block during uniform motion (N): equation (2), (5), and (8) P_{Td}: calculated load applied to one block during decelerating (N): equation (4), (7), and (10)

Figure H-14



B. Life of Ball Screw and Support Bearing

The life of ball screw and support bearing can be calculated using a common equation, as shown below. Compare the dynamic load rating of the ball screw and the support bearing and apply smaller value for calculation.

$$L_a = \left(\frac{1}{f_w} \cdot \frac{C_a \text{ or } C_b}{P_a} \right)^3 \cdot \ell \quad \dots \quad (12)$$

L_a: rated life (km) f_w: applied load coefficient (refer to Table H-9) C_a: basic dynamic load rating of the ball screw (N) C_b: basic dynamic load rating of the support bearing (N) P_a: axial load (N) ℓ: ball screw lead (mm)

B.1. Calculation of Pa

Before calculating the life using the equation (12), calculate P_a with acceleration taken into consideration. Calculate the load in each axial direction during uniform motion, acceleration, and deceleration and the obtained value is used as P_a.

B.1.a. For Horizontal Move

i) during uniform motion (P_{ac})

$$P_{ac} = \mu \cdot W + F + f_b \cdot n \quad \dots \quad (13)$$

ii) during acceleration (P_{aa})

$$P_{aa} = \mu \cdot W + F + f_b \cdot n + (m + m_b \cdot n) \alpha_a \quad \dots \quad (14)$$

iii) during deceleration (P_{ad})

$$P_{ad} = \mu \cdot W + F + f_b \cdot n + (m + m_b \cdot n) \alpha_d \quad \dots \quad (15)$$

B.1.b. For Vertical Move

i) during uniform motion (P_{ac})

$$P_{ac} = (m + m_b \cdot n)g + F + f_b \cdot n \quad \dots \quad (16)$$

ii) during acceleration (P_{aa})

$$P_{aa} = (m + m_b \cdot n) \cdot (g + \alpha_a) + F + f_b \cdot n_a \quad \dots \quad (17)$$

iii) during deceleration (P_{ad})

$$P_{ad} = (m + m_b \cdot n) \cdot (g + \alpha_d) + F + f_b \cdot n_d \quad \dots \quad (18)$$

B.1.c.

Obtain the average axial load (P_a) using an appropriate formula among those shown above depending on the application.

$$P_a = \sqrt[3]{\frac{1}{S_1+S_2+S_3} (P_{aa}^3 \cdot S_1 + P_{ac}^3 \cdot S_2 + P_{ad}^3 \cdot S_3)} \quad \dots \quad (19)$$

P_a: average axial load (N) S₁: travel distance during acceleration (mm) (refer to Table H-14) S₂: travel distance during uniform motion (mm) (refer to Table H-14) S₃: travel distance during deceleration (mm) (refer to Table H-14) P_{aa}: axial load during accelerating (N): formulas (14) and (17) P_{ac}: axial load during uniform motion (N): formulas (13) and (16) P_{ad}: axial load during decelerating (N): formulas (15) and (18)

Table H-11 Sliding Resistance (lb) of a Single Block (Seal Resistance) unit: N

	high grade (H)	precision grade (P)
BG20	2.3	4.9
BG26	5.4	9.8
BG33	4.4	10.2
BG46	7.4	13.3
BG55	9	16

P_{ac}: axial load rating during uniform motion (N) P_{aa}: axial load rating during accelerating (N) P_{ad}: axial load rating during decelerating (N) μ: friction coefficient W: load applied to a block (N) F: external force (load) applied to the axial direction (N) f_b: sliding resistance of a single block (N) (refer to Table H-11) n: number of blocks of BG m: carrying mass (kg) m_b: mass of a block of BG (kg) (refer to Table H-4) α_a: acceleration during accelerating (m/s²) α_d: acceleration during decelerating (m/s²) g: acceleration of gravity

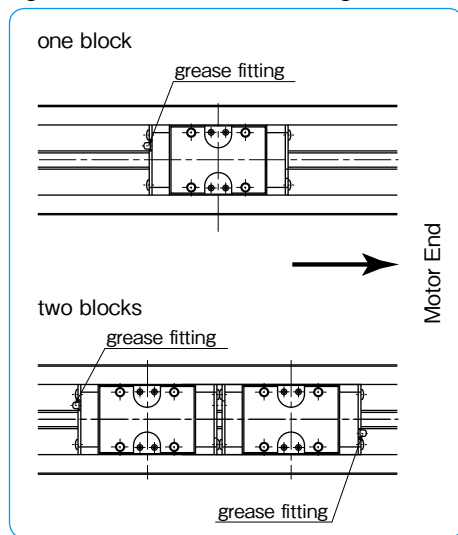
LUBRICATION

- BG type contains a lithium soap based grease. (Multemp PS No.2, KYODO YUSHI) Apply similar type of grease for the lubrication as required depending on the operating conditions.
- Use the grease fitting to lubricate the slide block. For ball screw portion apply grease directly to the surface of screw shaft.
- Unless otherwise instructed, a grease fitting is located as shown in Figure H-15.
- The grease can be changed to a high function type by adding a special grease option at the end of the part number. Please refer to Table H-12 for the grease type. Also refer to page Eng-39 for further details.

Table H-12 Applicable Grease

grease option	features	product name
none (standard)	—	Multemp PS No.2 (KYODO YUSHI)
GK	urea-type low dust generation grease	K Grease
GU	urea-type low dust generation grease; low sliding resistance	KGU Grease
GL	lithium-type low dust generation grease	KGL Grease
GF	urea-type anti-fretting grease	KGF Grease

Figure H-15 Location of Grease Fitting



OPERATING TEMPERATURE

- Resin parts are incorporated in the BG type. Please avoid using BG type above 80°C. Please use the product at 55°C or lower when sensor/bellows are optioned.

USE AND HANDLING PRECAUTIONS

- Please handle as a precision component and avoid excessive vibration or shock.
- Rough handling will affect the smooth motion and reduce the precision performance and life time.
- DO NOT DISASSEMBLE. The accuracy of BG type is preadjusted when assembled.
- Please allow for extra stroke length. If the guide block repeatedly collides with damper, it may cause damage.
- Depending upon the operating environment, dust and debris may contaminate BG type and disrupt the ball circulation and precision performance.

MOTOR BRACKET CONFIGURATIONS & APPLICABLE MOTORS

NB provides optional motor brackets to easily install most popular motors.

Table H-13 Applicable Motors

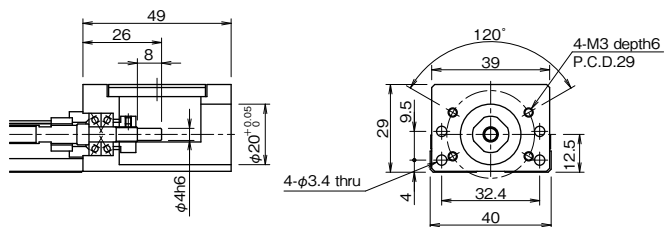
Applicable motors			Part number	BG20	BG26	BG33	BG46	BG55
AC Servo motor	Panasonic	MUMA5A	50W					
		MUMA01	100W	AA	AA	B2	—	—
		MUMA02	200W			A7	A2	
		MUMA04	400W			—		
		MSMA3A	30W					
		MSMD (MSMA) 5A	50W	A3	A3	A2	C0	—
		MSMD (MSMA) 01	100W					
		MSMD (MSMA) 02	200W			A7	A2	—
		MSMD (MSMA) 04	400W			—		
	MSMD (MSMA) 08	750W			—	A3	A2	
	MITSUBISHI ELECTRIC	HC-AQ0135	10W					
		HC-AQ0235	20W	A8	A8	—	—	—
		HC-AQ0335	30W					
		HF-KP (MP) 053	50W					
		HF-KP (MP) 13	100W	A1	A1	A1	B0	—
		HF-KP (MP) 23	200W			A6	A1	A0
		HF-KP (MP) 43	400W			—		
		HF-KP (MP) 73	750W			—	A4	A1
		HA-FF053	50W					
		HA-FF13	100W			A3	A0	—
		HA-FF23	200W			—		
	HA-FF33	300W			—	A3	A2	
	YASKAWA ELECTRIC	SGMM-A131 *	10W					
		SGMM-A231 *	20W	A9	A9	—	—	—
		SGMM-A331 *	30W					
		SGMAH-A3	30W					
		SGMJV, SGMJV (SGMAS) -A5	50W	A1	A1	A1	B0	—
		SGMJV, SGMJV (SGMAS) -01	100W					
		SGMAV (SGMAS) -C2	150W					
		SGMJV, SGMJV (SGMAS) -02	200W			A6	A1	A0
SGMJV, SGMJV (SGMAS) -04		400W			—			
SGMJV, SGMJV (SGMAS) -08		750W			—	A4	A1	
Q1AA04003D		30W						
Q1AA04005D		50W	A1	A1	A1	B0	—	
Q1AA04010D		100W						
Q1AA06020D	200W			A6	A1	A0		
Q1AA06040D	400W			—				
Q1AA07075D	750W			—	A4	A1		
Q2AA05005D	50W							
Q2AA05010D	100W			A3	A0	—		
Q2AA07020D	200W							
Q2AA07030D	300W			—	A3	A2		
Q2AA07040D	400W							
Q2AA08050D	500W			—		A3		
Q2AA08075D	750W			—				
Stepper motor	ORIENTAL MOTOR	UPD534M-A	—	A5	A5	B1	—	—
		PMU33AH	—	A6	A6	—	—	—
		UPK (RK) 54, AS4	—	A5	A5	B1	—	—
		UPK (RK) 56, AS6	—	—	—	A4	DO	—
		UPK (RK) 59, AS9	—	—	—	—	—	A4
		PK26	—	—	—	A5	—	—
	SANYO DENKI	F SERIES □42mm	—	A5	A5	B1	—	—
		F SERIES □60mm	—	—	—	A4	DO	—
		F SERIES □85mm	—	—	—	—	—	A4
	TECHNO DRIVE	*K-S54 *	—	A5	A5	B1	—	—
		*K-S (M) 56 *	—	—	—	A4	DO	—
		*K-M (G) 59 *	—	—	—	—	—	A4

NB can provide other types of motor brackets. Please contact NB for details.

BG20

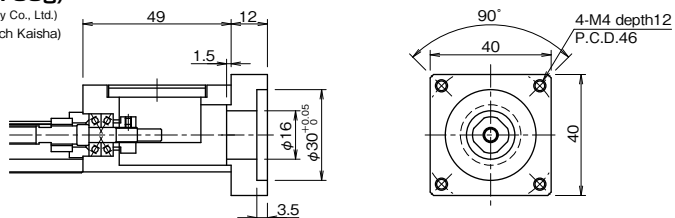
Figures inside () indicates mass of the motor mount adapter plate.

Motor Bracket A0



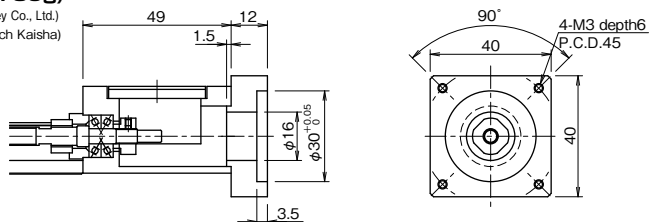
Motor Bracket A1 (Mass: 38g)

Recommended Coupling: SFC-010DA2(Miki Pulley Co., Ltd.)
XBW-19C2(Nabeya Bi-tech Kaisha)



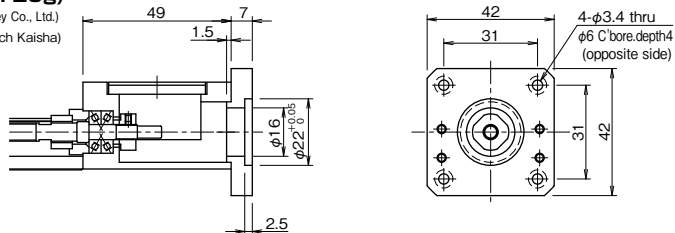
Motor Bracket A3 (Mass: 39g)

Recommended Coupling: SFC-010DA2(Miki Pulley Co., Ltd.)
XBW-19C2(Nabeya Bi-tech Kaisha)



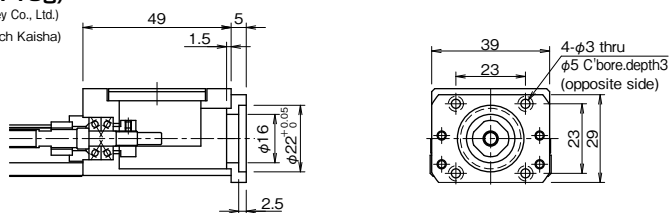
Motor Bracket A5 (Mass: 26g)

Recommended Coupling: SFC-010DA2(Miki Pulley Co., Ltd.)
XBW-19C2(Nabeya Bi-tech Kaisha)



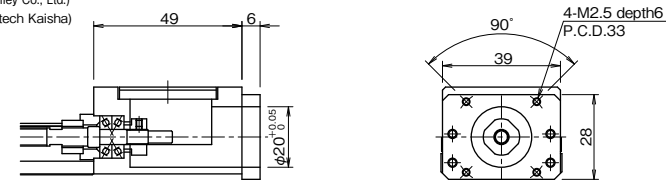
Motor Bracket A6 (Mass: 10g)

Recommended Coupling: SFC-010DA2(Miki Pulley Co., Ltd.)
XBW-19C2(Nabeya Bi-tech Kaisha)



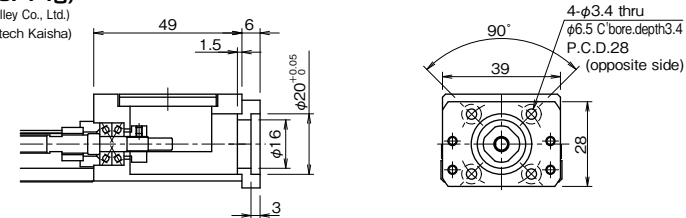
Motor Bracket A8 (Mass: 12g)

Recommended Coupling: SFC-010DA2(Miki Pulley Co., Ltd.)
XBW-19C2(Nabeya Bi-tech Kaisha)



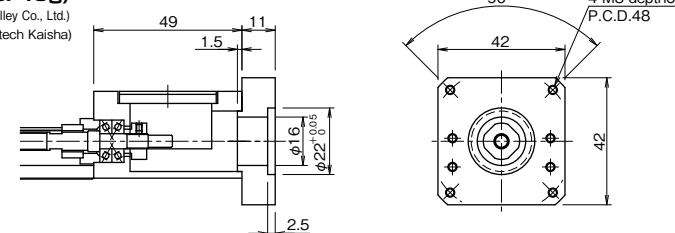
Motor Bracket A9 (Mass: 14g)

Recommended Coupling: SFC-010DA2(Miki Pulley Co., Ltd.)
XBW-19C2(Nabeya Bi-tech Kaisha)



Motor Bracket AA (Mass: 46g)

Recommended Coupling: SFC-010DA2(Miki Pulley Co., Ltd.)
XBW-19C2(Nabeya Bi-tech Kaisha)

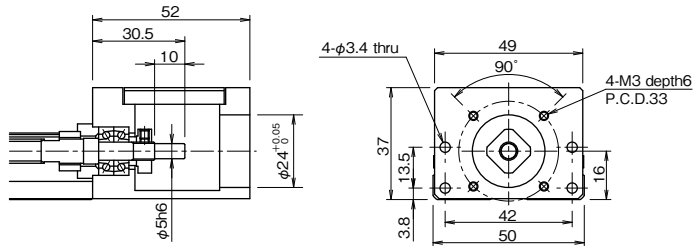


For configurations A5, A6, A9 and AA, attach the motor to the motor mount adapter plate first.

BG26

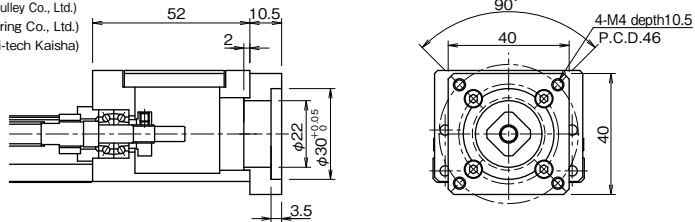
Figures inside () indicates mass of the motor mount adapter plate.

Motor Bracket A0



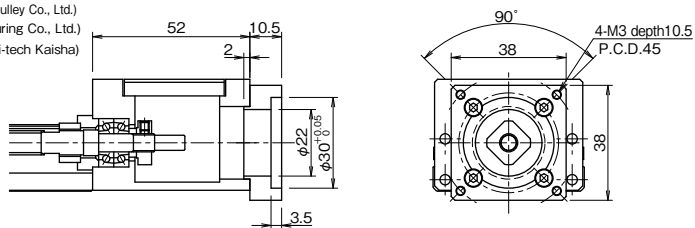
Motor Bracket A1 (Mass: 28g)

Recommended Coupling: SFC-010DA2(Miki Pulley Co., Ltd.)
LAD-20C(Sakai Manufacturing Co., Ltd.)
XBW-19C2(Nabeya Bi-tech Kaisha)



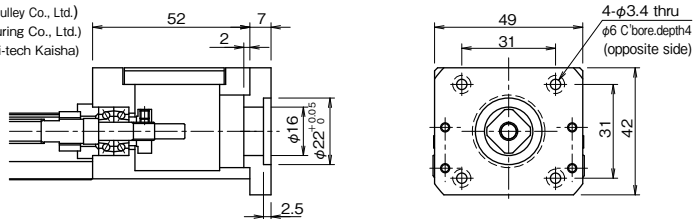
Motor Bracket A3 (Mass: 24g)

Recommended Coupling: SFC-010DA2(Miki Pulley Co., Ltd.)
LAD-20C(Sakai Manufacturing Co., Ltd.)
XBW-19C2(Nabeya Bi-tech Kaisha)



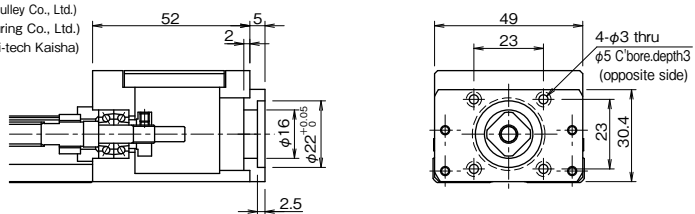
Motor Bracket A5 (Mass: 32g)

Recommended Coupling: SFC-010DA2(Miki Pulley Co., Ltd.)
LAD-20C(Sakai Manufacturing Co., Ltd.)
XBW-19C2(Nabeya Bi-tech Kaisha)



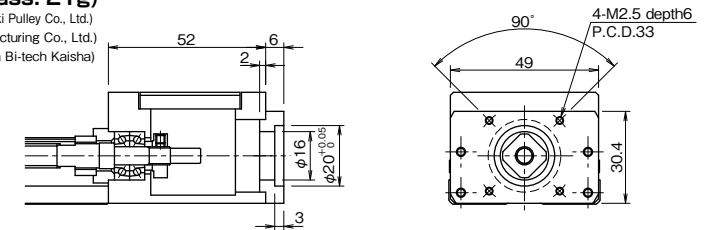
Motor Bracket A6 (Mass: 16g)

Recommended Coupling: SFC-010DA2(Miki Pulley Co., Ltd.)
LAD-20C(Sakai Manufacturing Co., Ltd.)
XBW-19C2(Nabeya Bi-tech Kaisha)



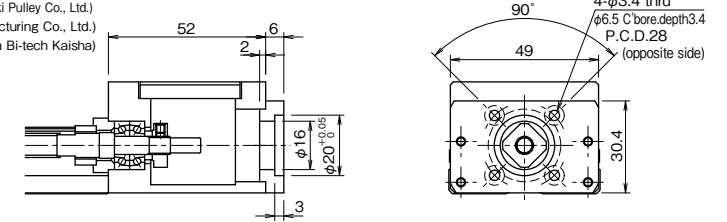
Motor Bracket A8 (Mass: 21g)

Recommended Coupling: SFC-010DA2(Miki Pulley Co., Ltd.)
LAD-20C(Sakai Manufacturing Co., Ltd.)
XBW-19C2(Nabeya Bi-tech Kaisha)



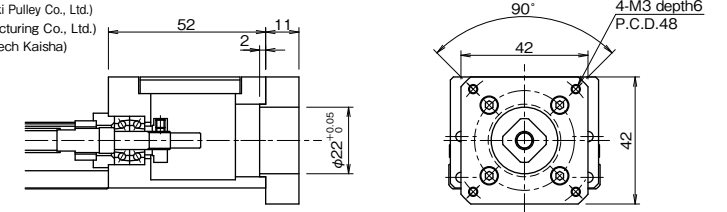
Motor Bracket A9 (Mass: 21g)

Recommended Coupling: SFC-010DA2(Miki Pulley Co., Ltd.)
LAD-20C(Sakai Manufacturing Co., Ltd.)
XBW-19C2(Nabeya Bi-tech Kaisha)



Motor Bracket AA (Mass: 41g)

Recommended Coupling: SFC-010DA2(Miki Pulley Co., Ltd.)
LAD-20C(Sakai Manufacturing Co., Ltd.)
XBW-19C2(Nabeya Bi-tech Kaisha)

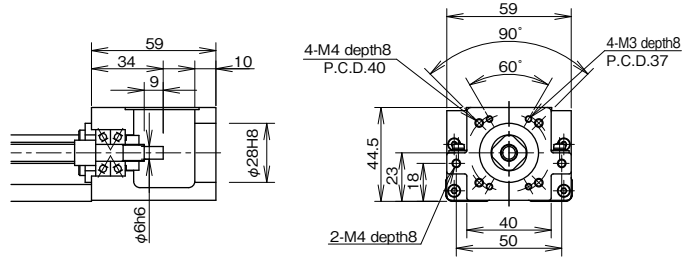


For configurations A5, A6 and A9, attach the motor to the motor mount adapter plate first.

BG33

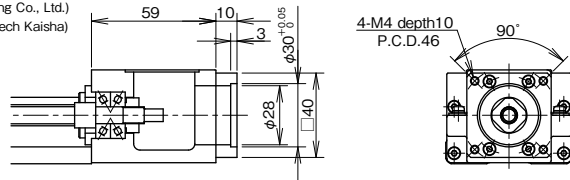
Figures inside () indicates mass of the motor mount adapter plate.

Motor Bracket A0



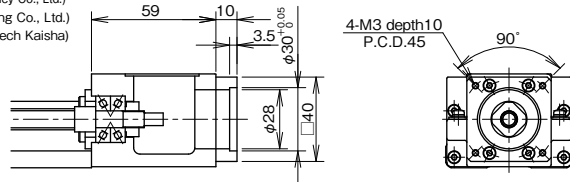
Motor Bracket A1 (Mass: 66g)

Recommended Coupling: SFC-020DA2(Miki Pulley Co., Ltd.)
LAD-25C(Sakai Manufacturing Co., Ltd.)
XBW-25C2(Nabeya Bi-tech Kaisha)



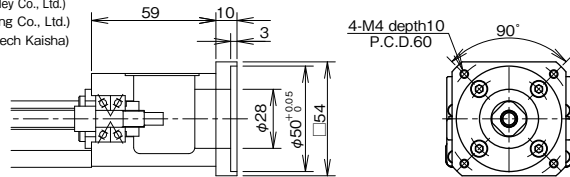
Motor Bracket A2 (Mass: 67g)

Recommended Coupling: SFC-020DA2(Miki Pulley Co., Ltd.)
LAD-25C(Sakai Manufacturing Co., Ltd.)
XBW-25C2(Nabeya Bi-tech Kaisha)



Motor Bracket A3 (Mass: 133g)

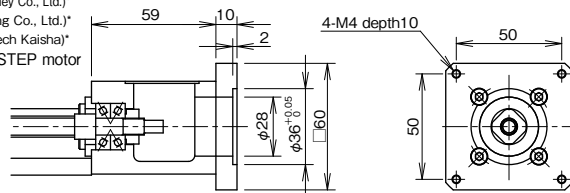
Recommended Coupling: SFC-020DA2(Miki Pulley Co., Ltd.)
LAD-25C(Sakai Manufacturing Co., Ltd.)
XBW-25C2(Nabeya Bi-tech Kaisha)



Motor Bracket A4 (Mass: 212g)

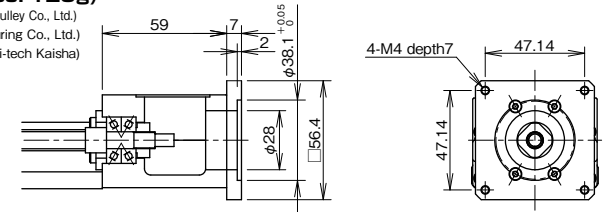
Recommended Coupling: SFC-020DA2(Miki Pulley Co., Ltd.)
LAD-25C(Sakai Manufacturing Co., Ltd.)
XBW-25C2(Nabeya Bi-tech Kaisha)

*Please contact NB when you use aSTEP motor (Oriental Motor Co., Ltd.)



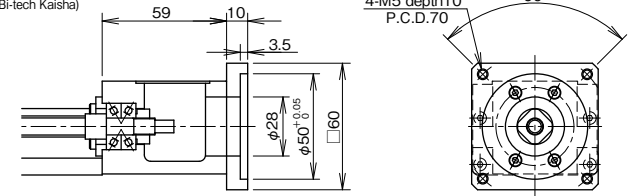
Motor Bracket A5 (Mass: 125g)

Recommended Coupling: SFC-020DA2(Miki Pulley Co., Ltd.)
LAD-25C(Sakai Manufacturing Co., Ltd.)
XBW-25C2(Nabeya Bi-tech Kaisha)



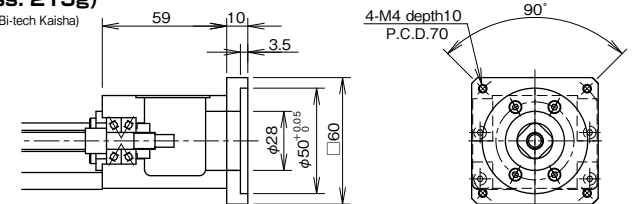
Motor Bracket A6 (Mass: 215g)

Recommended Coupling: XBW-27C2(Nabeya Bi-tech Kaisha)



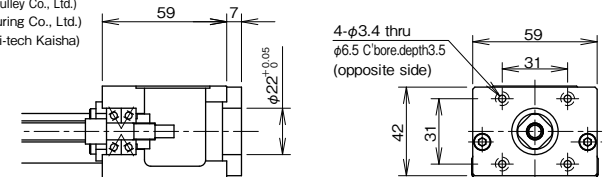
Motor Bracket A7 (Mass: 215g)

Recommended Coupling: XBW-27C2(Nabeya Bi-tech Kaisha)



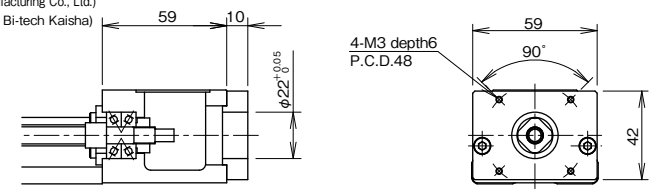
Motor Bracket B1 (Mass: 111g)

Recommended Coupling: SFC-010DA2(Miki Pulley Co., Ltd.)
LAD-20C(Sakai Manufacturing Co., Ltd.)
XBW-19C2(Nabeya Bi-tech Kaisha)



Motor Bracket B2 (Mass: 167g)

Recommended Coupling: LAD-25C(Sakai Manufacturing Co., Ltd.)
XBW-19C2(Nabeya Bi-tech Kaisha)



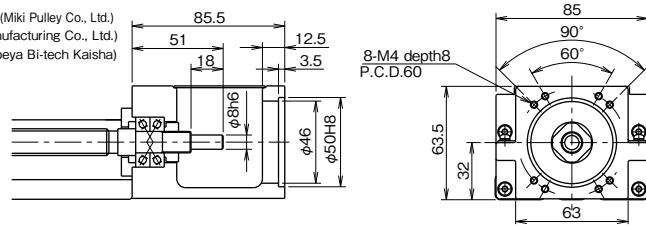
For configurations B1 and B2, attach the motor to the motor mount adapter plate first.

BG46

Figures inside () indicates mass of the motor mount adapter plate.

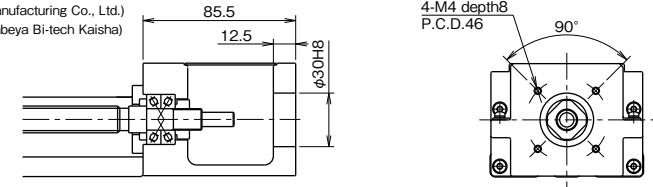
Motor Bracket A0

Recommended Coupling: SFC-020DA2(Miki Pulley Co., Ltd.)
LAD-25C(Sakai Manufacturing Co., Ltd.)
XBW-25C2(Nabeya Bi-tech Kaisha)



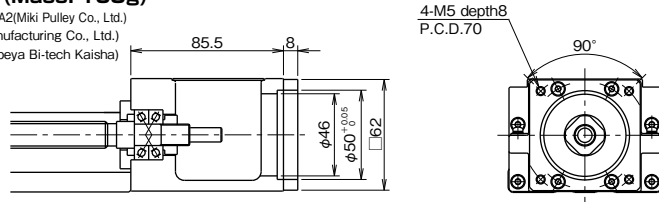
Motor Bracket B0

Recommended Coupling: SFC-020DA2(Miki Pulley Co., Ltd.)
LAD-25C(Sakai Manufacturing Co., Ltd.)
XBW-25C2(Nabeya Bi-tech Kaisha)



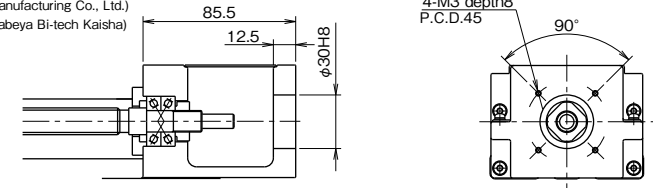
Motor Bracket A1 (Mass: 103g)

Recommended Coupling: SFC-030DA2(Miki Pulley Co., Ltd.)
LAD-30C(Sakai Manufacturing Co., Ltd.)
XBW-34C3(Nabeya Bi-tech Kaisha)



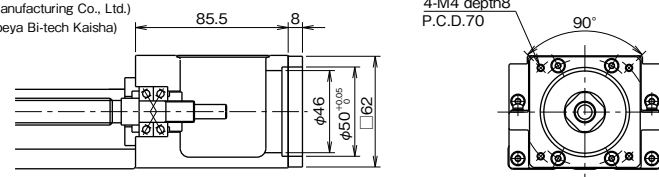
Motor Bracket C0

Recommended Coupling: SFC-020DA2(Miki Pulley Co., Ltd.)
LAD-25C(Sakai Manufacturing Co., Ltd.)
XBW-25C2(Nabeya Bi-tech Kaisha)



Motor Bracket A2 (Mass: 106g)

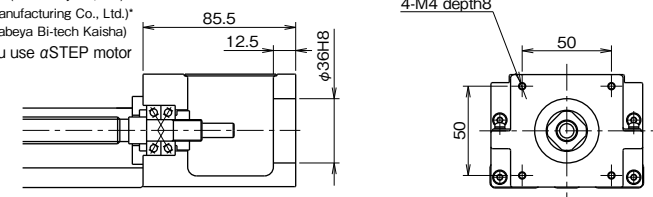
Recommended Coupling: SFC-030DA2(Miki Pulley Co., Ltd.)
LAD-30C(Sakai Manufacturing Co., Ltd.)
XBW-34C3(Nabeya Bi-tech Kaisha)



Motor Bracket D0

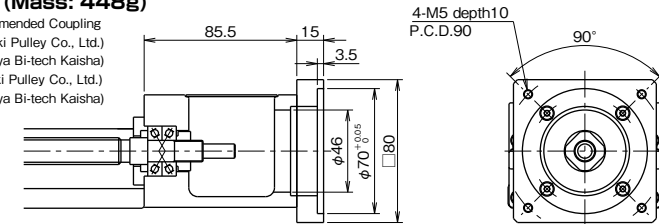
Recommended Coupling: SFC-020DA2(Miki Pulley Co., Ltd.)
LAD-25C(Sakai Manufacturing Co., Ltd.)
XBW-27C2(Nabeya Bi-tech Kaisha)

*Please contact NB when you use αSTEP motor (Oriental Motor Co., Ltd.).



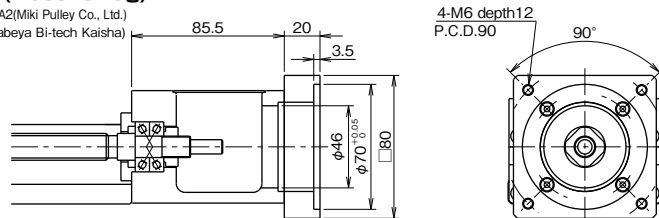
Motor Bracket A3 (Mass: 448g)

Recommended Coupling
(200W-400W): SFC-030DA2(Miki Pulley Co., Ltd.)
XBW-34C3(Nabeya Bi-tech Kaisha)
(750W): SFC-040DA2(Miki Pulley Co., Ltd.)
XBW-39C2(Nabeya Bi-tech Kaisha)



Motor Bracket A4 (Mass: 628g)

Recommended Coupling: SFC-040DA2(Miki Pulley Co., Ltd.)
XBW-39C2(Nabeya Bi-tech Kaisha)

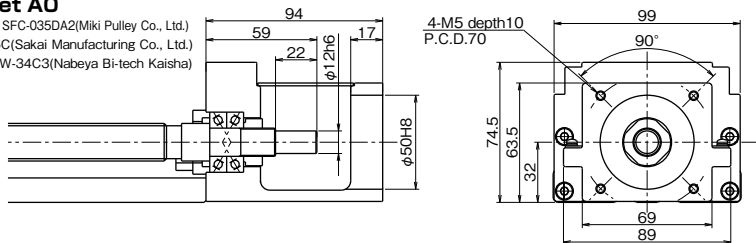


BG55

Figures inside () indicates mass of the motor mount adapter plate.

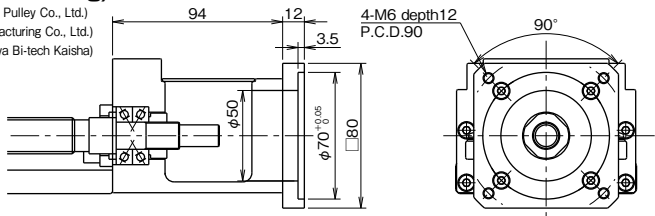
Motor Bracket A0

Recommended Coupling: SFC-035DA2(Miki Pulley Co., Ltd.)
LAD-35C(Sakai Manufacturing Co., Ltd.)
XBW-34C3(Nabeya Bi-tech Kaisha)



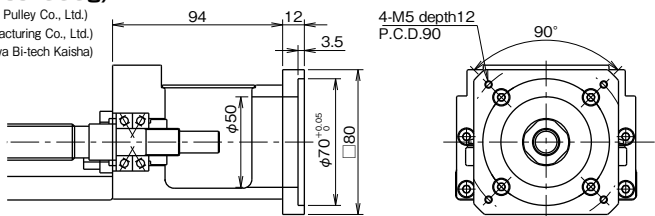
Motor Bracket A1 (Mass: 329g)

Recommended Coupling: SFC-040DA2(Miki Pulley Co., Ltd.)
LAD-40C(Sakai Manufacturing Co., Ltd.)
XBW-39C2(Nabeya Bi-tech Kaisha)



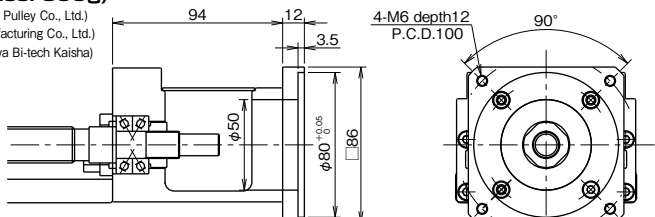
Motor Bracket A2 (Mass: 333g)

Recommended Coupling: SFC-040DA2(Miki Pulley Co., Ltd.)
LAD-40C(Sakai Manufacturing Co., Ltd.)
XBW-39C2(Nabeya Bi-tech Kaisha)



Motor Bracket A3 (Mass: 399g)

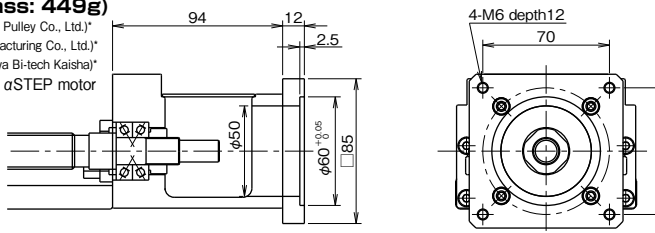
Recommended Coupling: SFC-040DA2(Miki Pulley Co., Ltd.)
LAD-40C(Sakai Manufacturing Co., Ltd.)
XBW-39C2(Nabeya Bi-tech Kaisha)



Motor Bracket A4 (Mass: 449g)

Recommended Coupling: SFC-035DA2(Miki Pulley Co., Ltd.)
LAD-35C(Sakai Manufacturing Co., Ltd.)
XBW-34C3(Nabeya Bi-tech Kaisha)

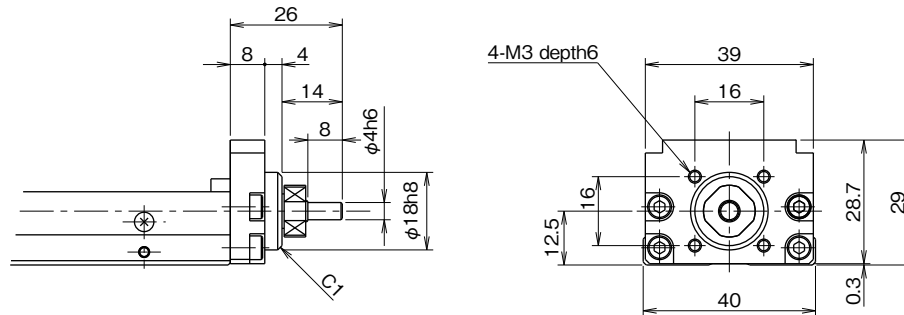
*Please contact NB when you use αSTEP motor (Oriental Motor Co., Ltd.).



EXPOSED BRACKET R0

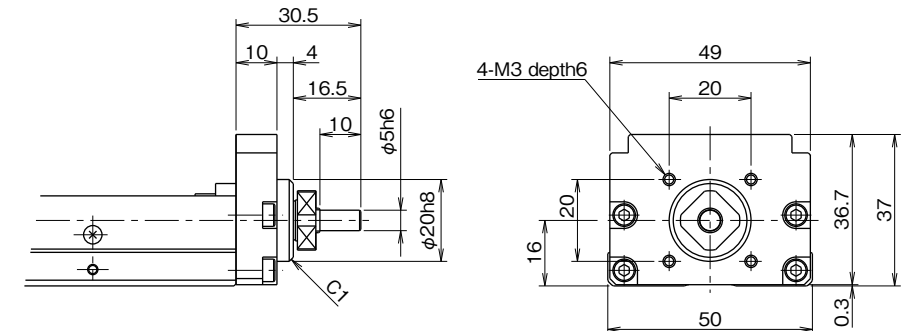
The ball screw shaft end is exposed with the exposed bracket R0 type.
Please fabricate an original bracket in case the standard brackets are not applicable.

BG20 Exposed Bracket R0



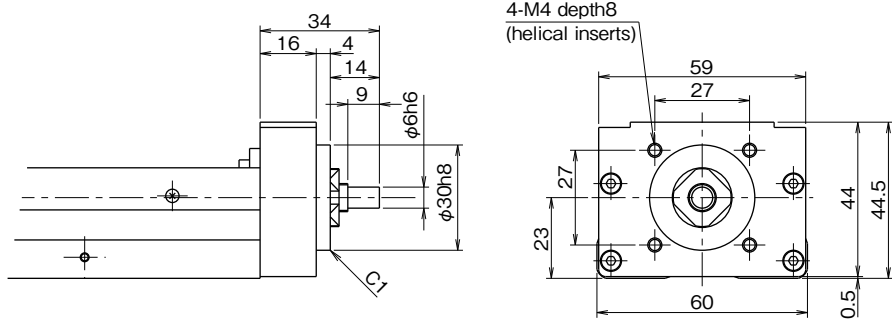
1. Applicable with cover and with sensors.
2. Mass is 0.04kg less than the mass in Table H-3 on page H-7.

BG26 Exposed Bracket R0



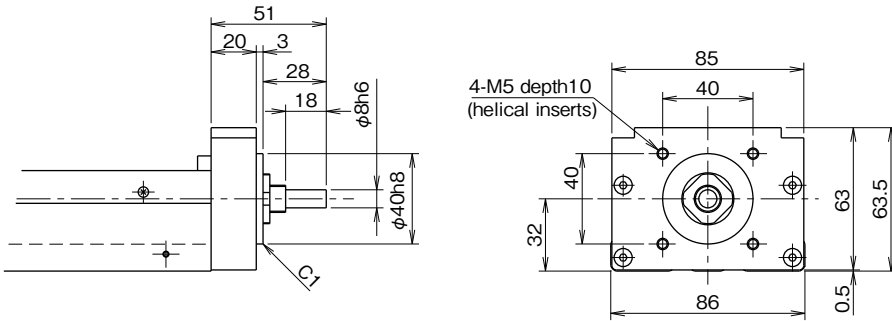
1. Applicable with cover and with sensors.
2. Mass is 0.08kg less than the mass in Table H-3 on page H-7.

BG33 Exposed Bracket RO



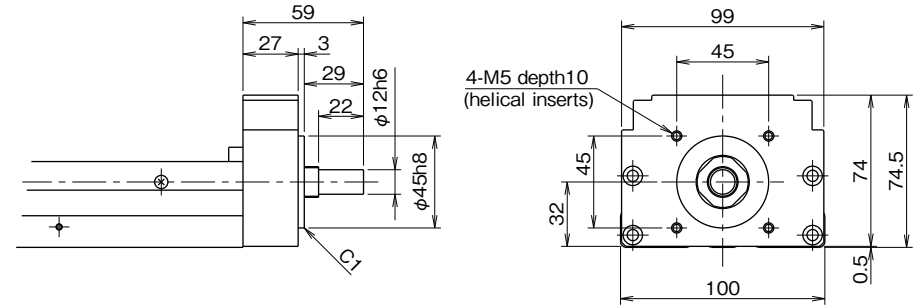
1. Applicable with cover and with sensors.
2. Mass is 0.1kg less than the mass in Table H-3 on page H-7.

BG46 Exposed Bracket RO



1. Applicable with cover and with sensors.
2. Mass is 0.3kg less than the mass in Table H-3 on page H-7.

BG55 Exposed Bracket RO

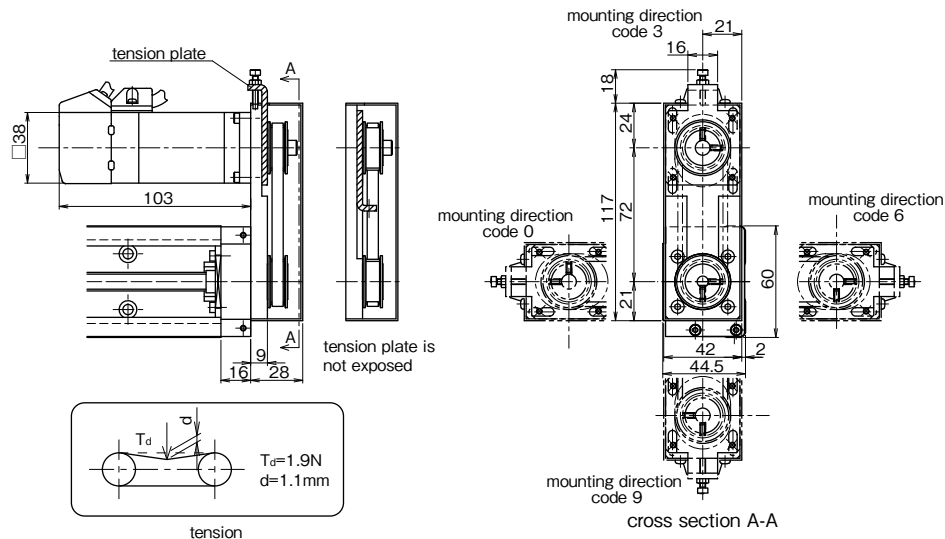


1. Applicable with cover and with sensors.
2. Mass is 0.3kg less than the mass in Table H-3 on page H-7.

RETURN PULLEY UNIT

Return pulley units in which a motor is connected with a timing belt are available for BG type. Its return structure allows the reduction of total length (available for BG33 and BG46).

BG33 Return Pulley Unit



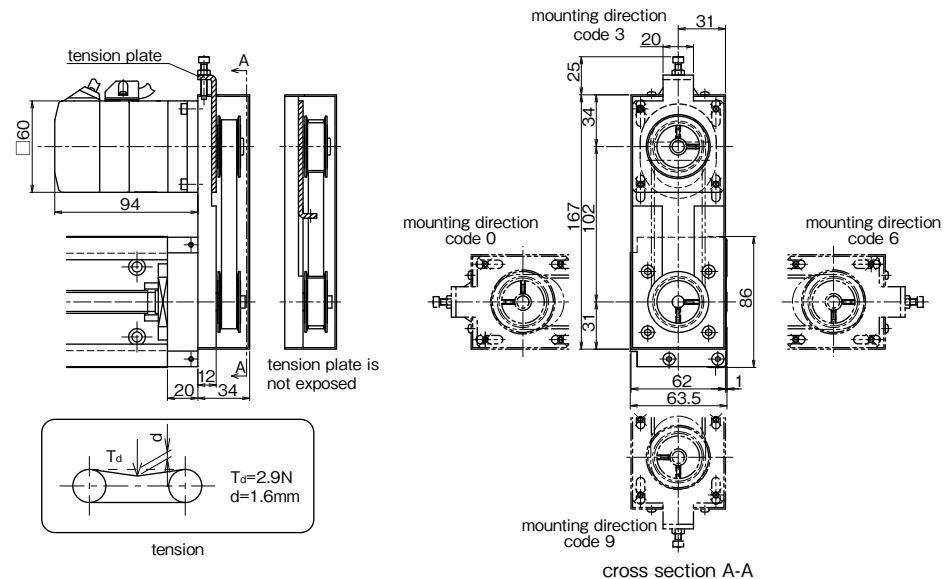
- 1.This drawing shows RA for MSMA01(Panasonic).
- 2.Installation position of Pulley Unit can be selected at 90° intervals (mounting direction code).
- 3.Applicable with cover and with sensors.
- 4.Tension plate can be built in and is not exposed. (not applicable to RC)
- 5.Mass is added 0.2kg to the mass in Table H-3, page H-7.
- 6.Inertia is added $2.22 \times 10^{-6} \text{kg} \cdot \text{m}^2$ to the value of Table H-5, page H-8. (motor inertia not included)
- 7.Part number structure BG33***-****/☆☆□
 ☆☆: Symbol of applicable motor bracket (refer to Table H-14)
 □: Mounting direction code (refer to cross section A-A)

Table H-14 Applicable Motor

motor bracket	applicable motors	
RA	Panasonic	MINAS SERIES: 50~100W
	YASKAWA ELECTRIC	SIGMA SERIES: 50~100W
RB	MITSUBISHI ELECTRIC	HC-MF SERIES: 50~100W
	SANYO DENKI	Q1 SERIES: 50~100W
RC	5 PHASE STEPPING MOTOR □42 SERIES	

Please contact NB for other stepper motors.

BG46 Return Pulley Unit



- 1.This drawing shows RA for MSMA01(Panasonic).
- 2.Installation position of Pulley Unit can be selected at 90° intervals (mounting direction code).
- 3.Applicable with cover and with sensors.
- 4.Tension plate can be built in and is not exposed.
- 5.Mass is added 0.7kg to the value in Table H-3, page H-7.
- 6.Inertia is added $1.24 \times 10^{-5} \text{kg} \cdot \text{m}^2$ to the value of Table H-5, page H-8. (motor inertia not included)
- 7.Parts number structure BG46***-****/☆☆□
 ☆☆: Symbol of applicable motor bracket (refer to Table H-15)
 □: Mounting direction code (refer to cross section A-A)

Table H-15 Applicable Motor

motor bracket	applicable motors	
RA	Panasonic	MINAS SERIES: 200W
	YASKAWA ELECTRIC	SIGMA SERIES: 200W
RB	MITSUBISHI ELECTRIC	HC-MF SERIES: 200W
	SANYO DENKI	Q1 SERIES: 200W
RC	5 PHASE STEPPING MOTOR □60 SERIES	

Please contact NB for other stepper motors.

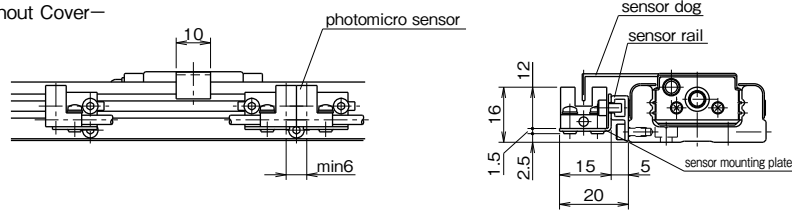
SENSOR

Photomicro sensor or proximity sensor can be attached to the BG actuator with our optional sensor-mounting rail (the same length as the guide rail length). Tapped holes are machined on both sides of the guide rail, allowing attachment of sensor to either side. Standard positioning (without special instruction from customer) would be to the left of the motor mount end. Sensor option includes the items that are listed below.

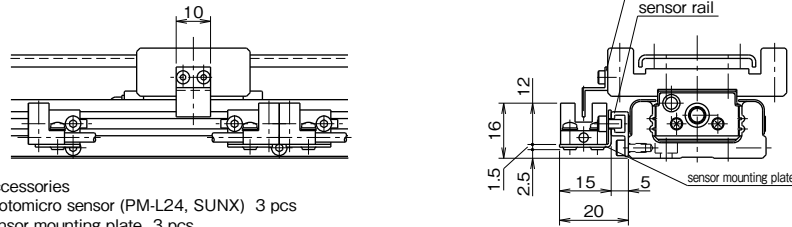
BG20

S Specification (Compact Photomicro Sensor)

—Without Cover—



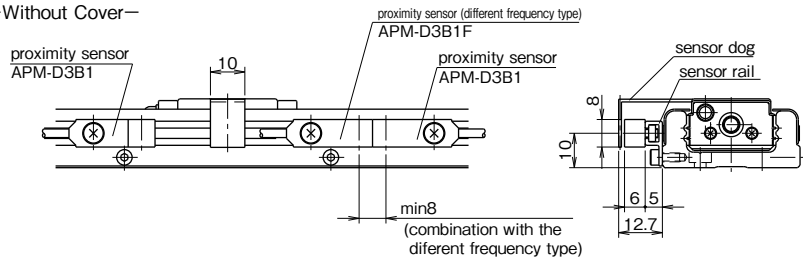
—With Cover—



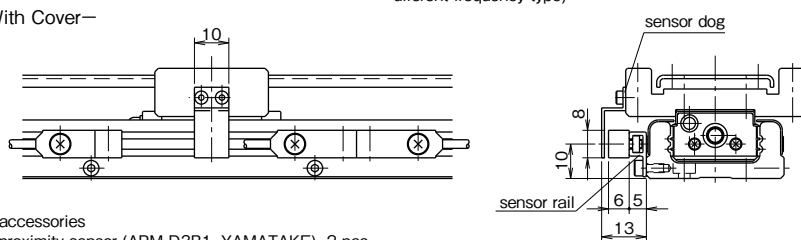
- Accessories
 photomicro sensor (PM-L24, SUNX) 3 pcs
 sensor mounting plate 3 pcs
 sensor rail 1 pc
 sensor dog 1 pc

K Specification (Proximity Sensor)

—Without Cover—



—With Cover—

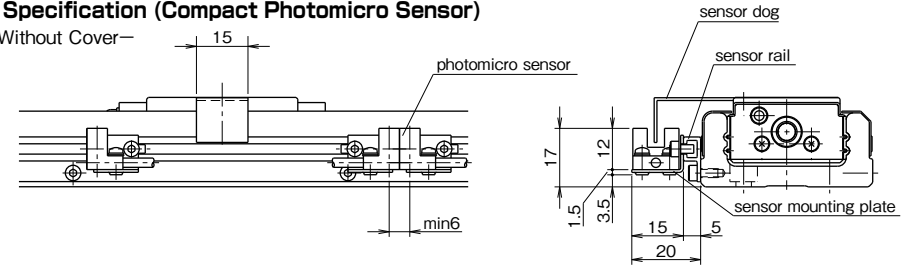


- accessories
 proximity sensor (APM-D3B1, YAMATAKE) 2 pcs
 proximity sensor (different frequency type)(APM-D3B1F, YAMATAKE) 1 pc
 sensor rail 1 pc
 sensor dog 1 pc

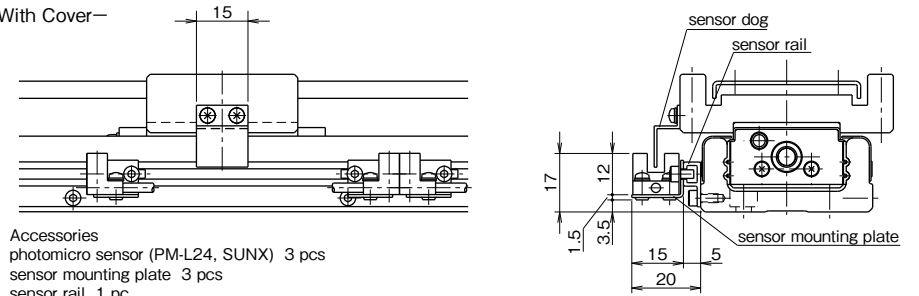
BG26

S Specification (Compact Photomicro Sensor)

—Without Cover—



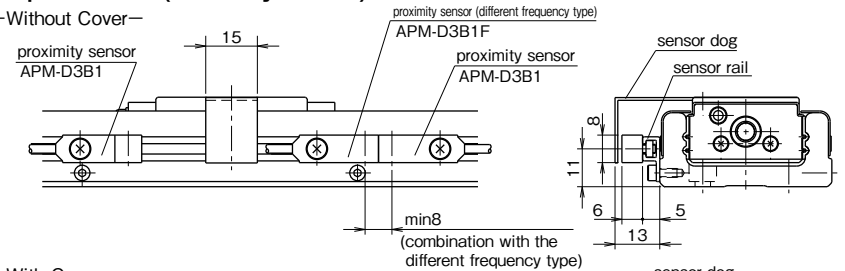
—With Cover—



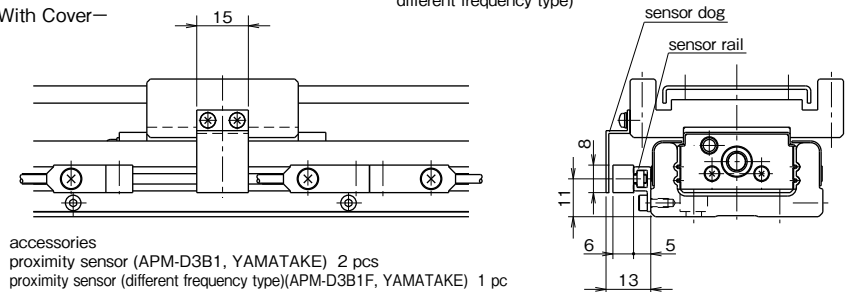
- Accessories
 photomicro sensor (PM-L24, SUNX) 3 pcs
 sensor mounting plate 3 pcs
 sensor rail 1 pc
 sensor dog 1 pc

K Specification (Proximity Sensor)

—Without Cover—



—With Cover—

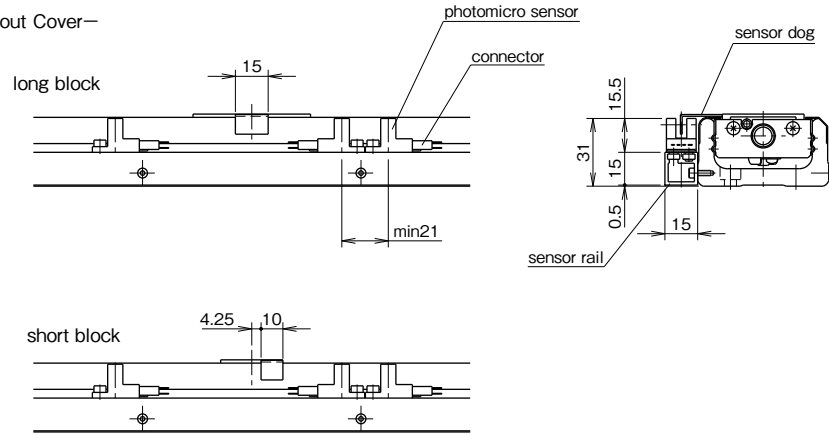


- accessories
 proximity sensor (APM-D3B1, YAMATAKE) 2 pcs
 proximity sensor (different frequency type)(APM-D3B1F, YAMATAKE) 1 pc
 sensor rail 1 pc
 sensor dog 1 pc

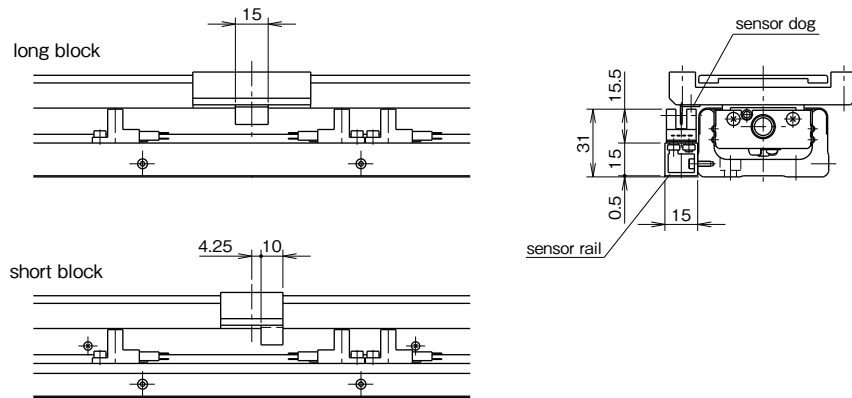
BG33

S Specification (Slim-Type Photomicro Sensor)

—Without Cover—



—With Cover—

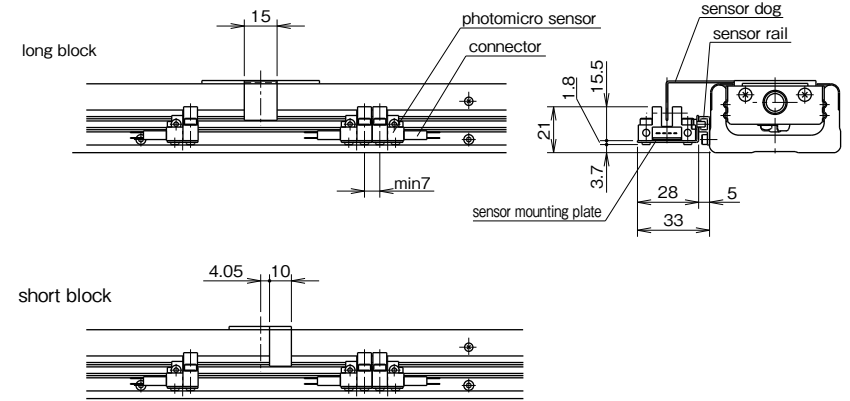


- accessories
 photomicro sensor (EE-SX674, OMRON) 3 pcs
 connector (EE-1001, OMRON) 3 pcs
 sensor rail 1 pc
 sensor dog *1 pc
 * 2 pcs for BG33D-150.

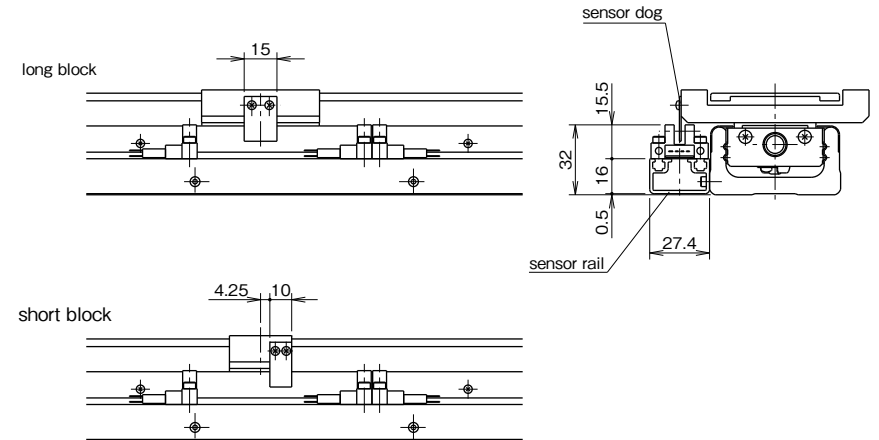
BG33

H Specification (Close Contact Capable Photomicro Sensor)

—Without Cover—



—With Cover—

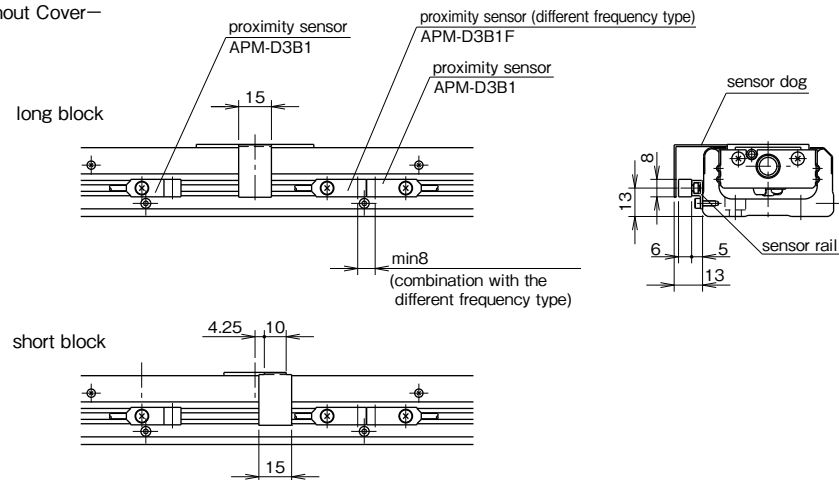


- accessories
 photomicro sensor (EE-SX671, OMRON) 3 pcs
 connector (EE-1001, OMRON) 3 pcs
 sensor mounting plate (only for the without cover type) 3 pcs
 sensor rail 1 pc
 sensor dog *1 pc
 * 2 pcs for BG33D-150.

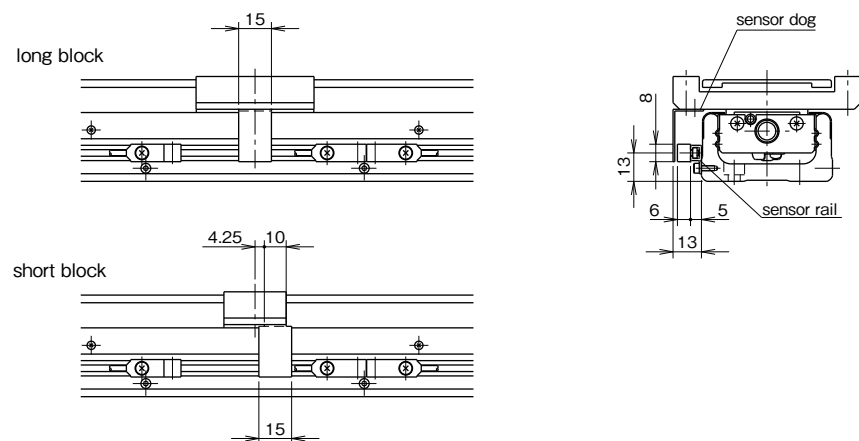
BG33

K Specification (Proximity Sensor)

—Without Cover—



—With Cover—

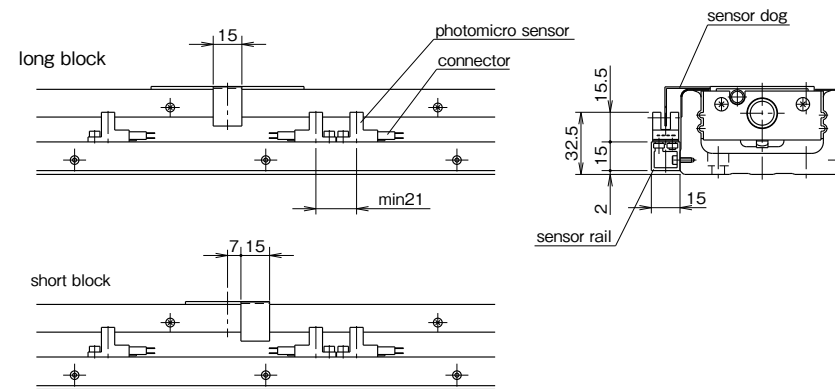


- accessories
 proximity sensor (APM-D3B1, YAMATAKE) 2 pcs
 proximity sensor (different frequency type)(APM-D3B1F, YAMATAKE) 1 pc
 sensor rail 1 pc
 sensor dog *1 pc
 * 2 pcs for BG33D-150.

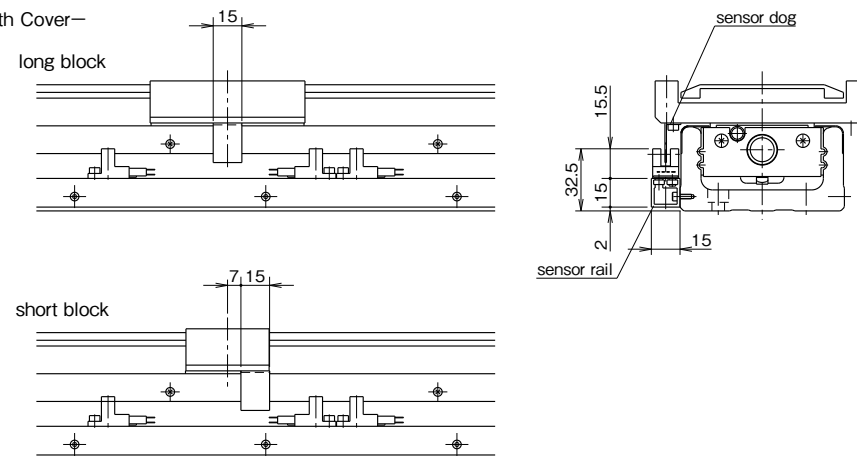
BG46

S Specification (Slim-Type Photomicro Sensor)

—Without Cover—



—With Cover—

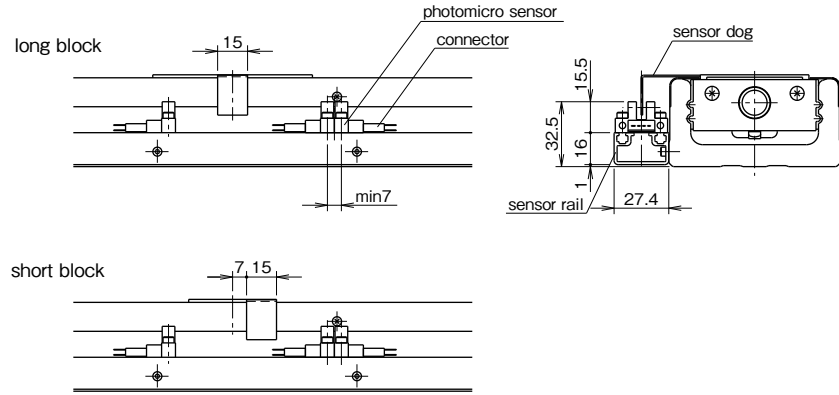


- accessories
 photomicro sensor (EE-SX674, OMRON) 3 pcs
 connector (EE-1001, OMRON) 3 pcs
 sensor rail 1 pc
 sensor dog 1 pc

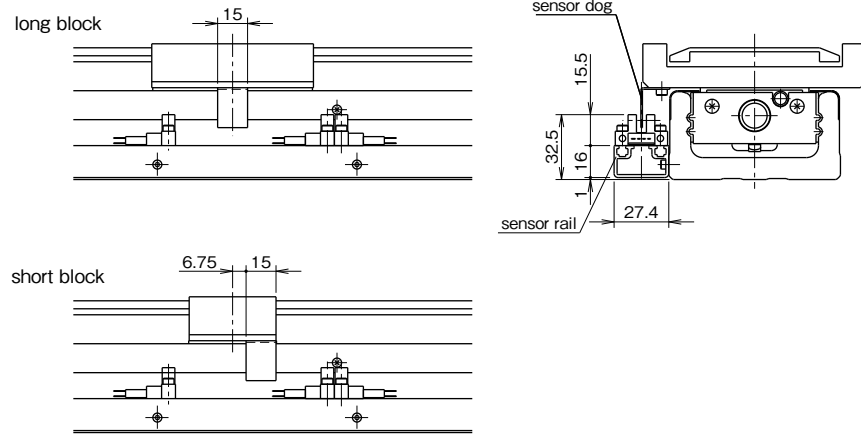
BG46

H Specification (Close Contact Capable Photomicro Sensor)

—Without Cover—



—With Cover—

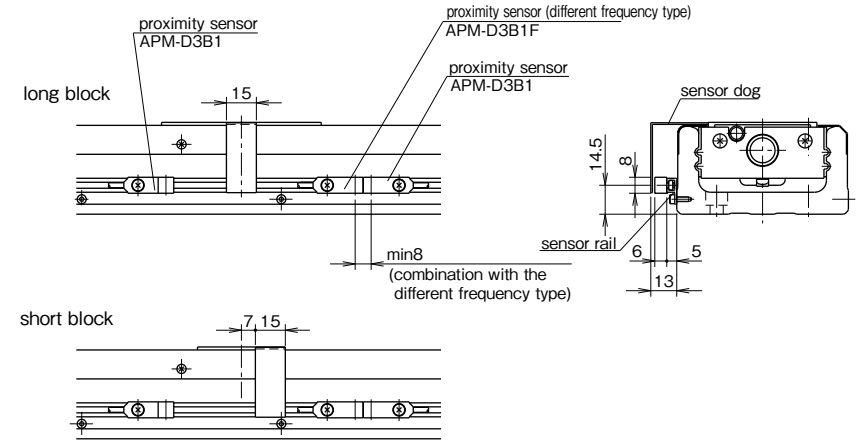


- accessories
 photomicro sensor (EE-SX671, OMRON) 3 pcs
 connector (EE-1001, OMRON) 3 pcs
 sensor rail 1 pc
 sensor dog 1 pc

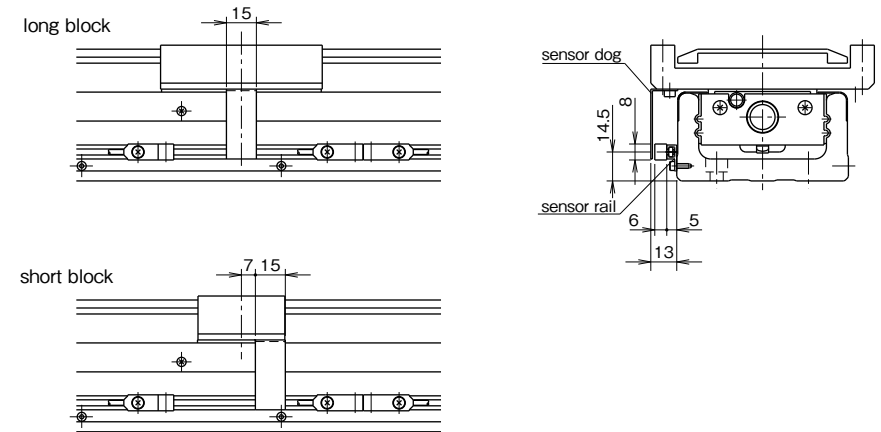
BG46

K Specification (Proximity Sensor)

—Without Cover—



—With Cover—

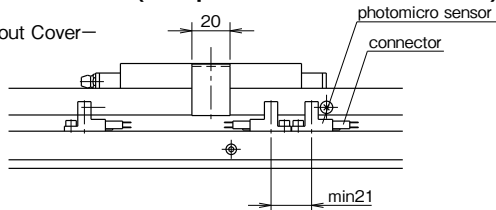


- accessories
 proximity sensor (APM-D3B1, YAMATAKE) 2 pcs
 proximity sensor (different frequency type)(APM-D3B1F, YAMATAKE) 1 pc
 sensor rail 1 pc
 sensor dog 1 pc

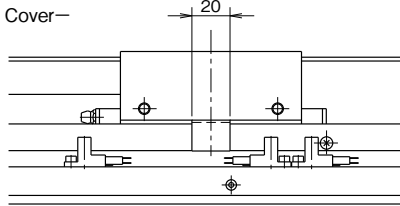
BG55

S Specification (Compact Photomicro Sensor)

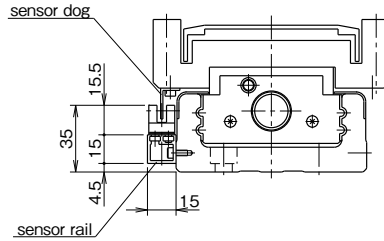
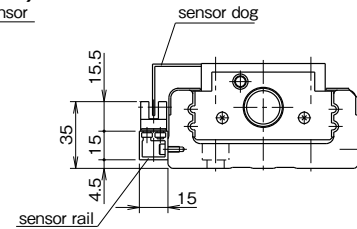
—Without Cover—



—With Cover—

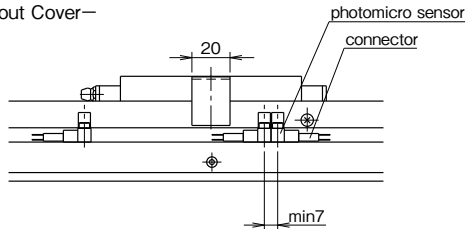


- accessories
 photomicro sensor (EE-SX674, OMRON) 3 pcs
 connector (EE-1001, OMRON) 3 pcs
 sensor rail 1 pc
 sensor dog 1 pc

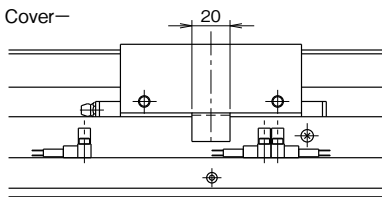


H Specification (Close Contact Capable Photomicro Sensor)

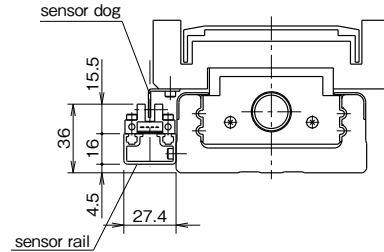
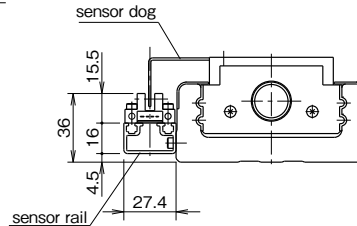
—Without Cover—



—With Cover—



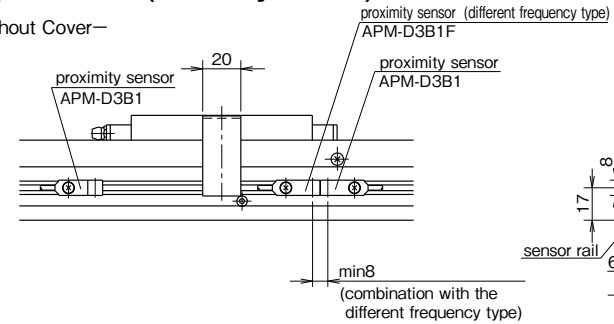
- accessories
 photomicro sensor (EE-SX671, OMRON) 3 pcs
 connector (EE-1001, OMRON) 3 pcs
 sensor rail 1 pc
 sensor dog 1 pc



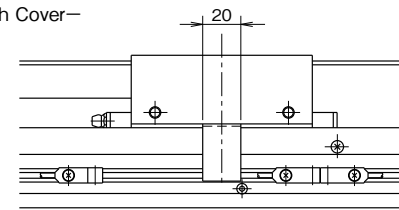
BG55

K Specification (Proximity Sensor)

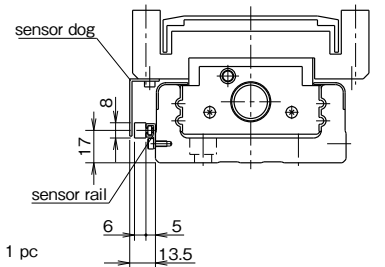
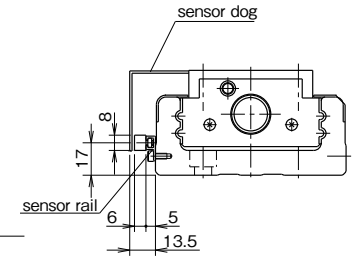
—Without Cover—



—With Cover—



- accessories
 proximity sensor (APM-D3B1, YAMATAKE) 2 pcs
 proximity sensor (different frequency type)(APM-D3B1F, YAMATAKE) 1 pc
 sensor rail 1 pc
 sensor dog 1 pc



PNP Sensor

For the BG type sensors can be changed to the PNP type by adding a sensor option code "PNP" at the end of the part number.

Refer to Table H-16 for the model number of PNP type sensors.

Table H-16 Sensor Type

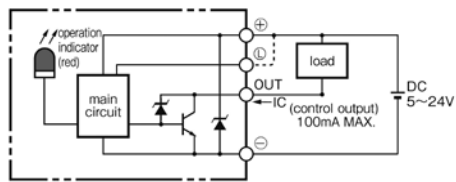
sensor code	sensor type	applicable model type	standard specification	PNP specification model type
S	slim-type photomicro sensor	BG33, BG46, BG55	EE-SX674	EE-SX674P
	compact photomicro sensor	BG20, BG26	PM-L24	PM-L24P
H	close contact capable photomicro sensor	BG33, BG46, BG55	EE-SX671	EE-SX671P
K	proximity sensor	all model types	APM-D3B1	APM-D3E1
	proximity sensor (different frequency type)	all model types	APM-D3B1F	APM-D3E1F

SENSOR SPECIFICATIONS

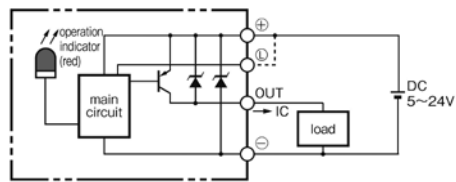
slim-type, close contact capable photomicro sensor (symbol: S,H)/ OMRON CORPORATION

type	NPN TYPE	EE-SX674	EE-SX671
	PNP TYPE	EE-SX674P	EE-SX671P
sensing distance		5mm (slot width)	
standard sensing object		opaque: 2×0.8mm min.	
differential travel		0.025mm	
power supply voltage		5 to 24 VDC ±10% , ripple(P-P): 10% max.	
current consumption		35mA max. (NPN), 30 mA max.(PNP)	
control output	NPN TYPE	NPN open collector output models: At 5 to 24 VDC: 100-mA load current (Ic) with a residual voltage of 0.8V max.40-mA load current (Ic) with a residual voltage of 0.4V max.	
	PNP TYPE	PNP open collector output models: At 5 to 24 VDC: 50-mA load current (Ic) with a residual voltage of 1.3V max.	
output operation		Dark-On (+, L terminal open-circuit), Light-On (+, L terminal short-circuit)	
response frequency		1kHz max. (3kHz average)	
operation indicator		operation indicator (red) lit with incident	
ambient illumination (on receiver lens)		fluorescent light: 1000 lx max.	
ambient temperature		operating: -25 to 55°C storage: -30 to 80°C	
ambient humidity		operating: 5 to 85% RH storage: 5 to 95% RH	
vibration resistance		destruction: 20 to 2000Hz, (with a peak acceleration of 100m/s ²) 1.5mm double amplitude for 2hrs (with 4-minute cycles) each in X,Y, and Z directions	
shock resistance		destruction: 500m/s ² for 3 times each in X,Y, and Z directions	
degree of protection		IEC60529 IP50	
connection method		connector type (direct soldering possible)	
weight		approx. 3g	
material	case	Polybutylene phthalate (PBT)	
	cover	Polycarbonate (PC)	
	emitter/receiver	Polycarbonate (PC)	

NPN TYPE
CIRCUIT DIAGRAM



PNP TYPE
CIRCUIT DIAGRAM

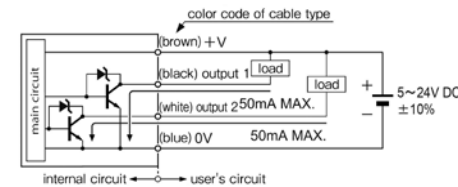


Please read the specifications and precautions of the manufacturer's catalog.

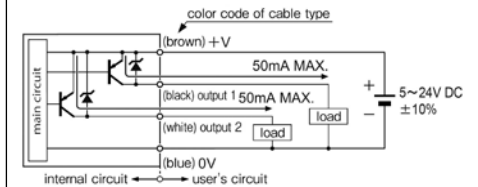
compact photomicro sensor (symbol: S)/ SUNX LIMITED

type	NPN TYPE	PM-L24
	PNP TYPE	PM-L24P
sensing range		5mm (fixed)
minimum sensing object		0.8×1.8mm min. opaque
hysteresis		0.05mm or less
repeatability		0.03mm or less
supply voltage		5 to 24 VDC ±10% , ripple(P-P) 10% or less
current consumption		15mA or less
output	NPN TYPE	NPN open-collector transistor maximum sink current: 50mA, applied voltage: 30VDC or less (between output and 0V) residual voltage: 0.7V or less (at 50mA sink current) 0.4V or less (at 16mA sink current)
	PNP TYPE	PNP open-collector transistor maximum source current: 50mA, applied voltage: 30VDC or less (between output and +V) residual voltage: 0.7V or less (at 50mA sink current) 0.4V or less (at 16mA sink current)
output operation		Incorporated with 2 outputs: Light-ON/Dark-ON
response time		under light received condition: 20µs or less under light interrupted condition: 100µs or less (response frequency: 1kHz or more)
operation indicator		vermillion LED (lights up under light received condition)
ambient illuminance		fluorescent light: 1000 lx at the light-receiving face
ambient temperature		operating: -25 to 55°C (No dew condensation or icing allowed.) storage: -30 to 80°C
ambient humidity		35 to 85% RH storage: 35 to 85% RH
voltage withstandability		1000V AC for one min. between all supply terminals connected together and enclosure
insulation resistance		50MΩ, or more, with 250V DC megger between all supply terminals connected together and enclosure
vibration resistance		10 to 2,000Hz frequency, 1.5mm amplitude in X, Y, and Z directions for two hours each
shock resistance		15,000m/s ² acceleration (1,500 G approx.) in X, Y, and Z directions for three times each
cable		0.09mm ² 4-core cabtyre cable 1m long
weight		approx. 10g
material	case	Polybutylene phthalate (PBT)
	cover	Polycarbonate

NPN TYPE
CIRCUIT DIAGRAM



PNP TYPE
CIRCUIT DIAGRAM

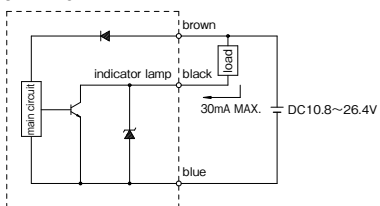


Please read the specifications and precautions of the manufacturer's catalog.

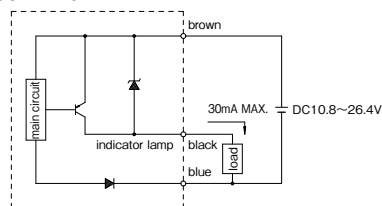
proximity sensor (symbol: K)/ YAMATAKE CORPORATION

type	NPN TYPE	APM-D3B1,APM-D3B1F(different-frequency type)
	PNP TYPE	APM-D3E1,APM-D3E1F(different-frequency type)
rated sensing distance	2.5mm±15%	
standard target object	15×15mm, 1mm thick iron	
differential travel	15% max. of sensing distance	
rated supply voltage	12/24VDC	
operating voltage range	10.8 to 26.4 VDC (ripple voltage 10% max.)	
current consumption	10mA max.	
control output	NPN TYPE	NPN transistor open collector switching current: 30mA max. (resistive load) voltage drop: 1V max. (switching current 30mA) output dielectric strength: 26.4V
	PNP TYPE	PNP transistor open collector switching current: 30mA max. (resistive load) voltage drop: 1V max. (switching current 30mA) output dielectric strength: 26.4V
operation mode	normally closed (N.C.)	
operating frequency	120Hz	
indicator lamps	lights (red) when object approaches	
operating temperature range	-10 to 55°C storage: -25 to 70°C	
operating humidity range	35 to 85% RH	
ambient illumination(on receiver lens)	fluorescent light: 1000lxmax.	
dielectric strength	1000V AC (50/60Hz) for one min. between case and electrically live metals	
insulation resistance	50MΩ min. (by 500V DC megger)	
vibration resistance	10 to 55Hz, 1.5mm peak-to-peak amplitude, 2hrs in X, Y, and Z directions	
voltage withstandability	1000V AC(50/60Hz) for one min. between all supply terminals connected together and enclosure	
insulation resistance	50MΩ, or more(with 500V DC megger)	
shock resistance	500m/s ² 3 times in Y,Y, and Z directions	
protection	IP67 (IEC 529)	
weight	approx. 10g	

NPN TYPE
CIRCUIT DIAGRAM



PNP TYPE
CIRCUIT DIAGRAM



Please read the specifications and precautions of the manufacturer's catalog.

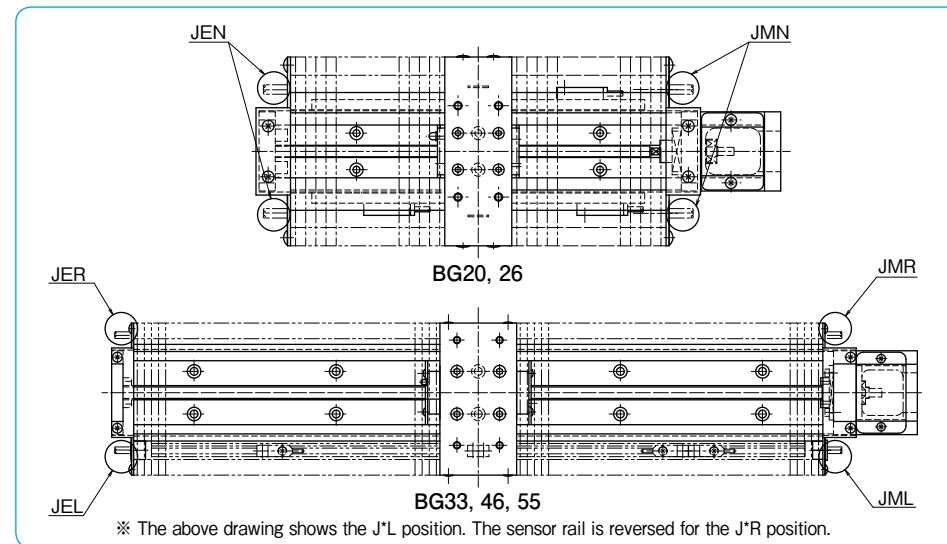
BELLOWS

BG type can be specified with a cover or bellows for dust prevention. Bellows are securely fixed for various installation methods in positioning and directions. Sensor for bellows is limited to K (proximity sensor) type only, which is pre-installed at proper positions. Please pay attention to the stroke limit of BG with bellows that is shorter than the standard stroke limit.

– Position of Sensor Cable Outlet –

The positions of the outlet for sensor cables can be selected as Figure H-16 shows.

Figure H-16 Position of Sensor Cable Outlet



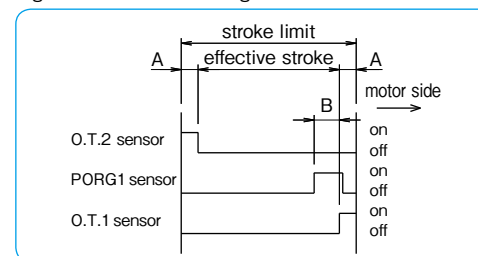
part number structure for bellows

1. J (for the first symbol)
2. Specification of the position of the sensor cable outlet
Please select the motor side or the housing side.
M: motor side E: housing side (end plate side)
3. Specification of the position of the sensor rail
Please select the right hand or the left hand.
R: on the right from the motor side
L: on the left from the motor side
※N for BG20 and 26 since the sensors are mounted on both the right and left hand.
4. JNN for without sensors
5. Sensor type is K (proximity sensor) type only (APM-D3 series: YAMATAKE CORPORATION).

– Sensor Timing Chart –

The following chart shows the standard sensor arrangement.

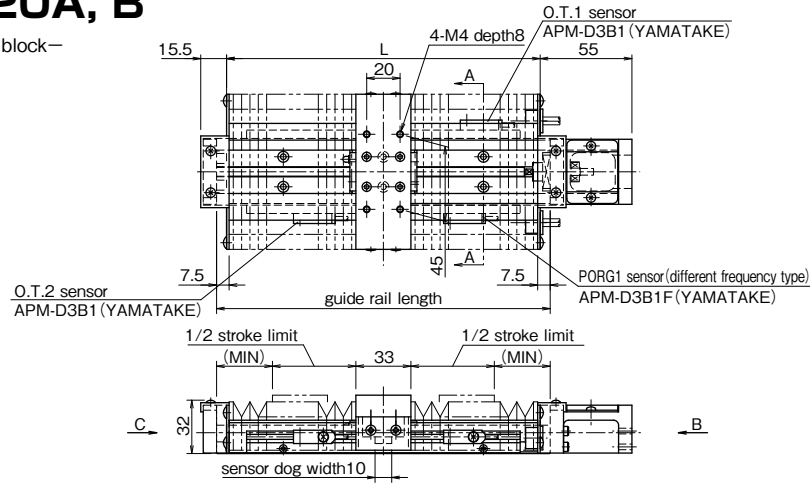
Figure H-17 Sensor Timing Chart



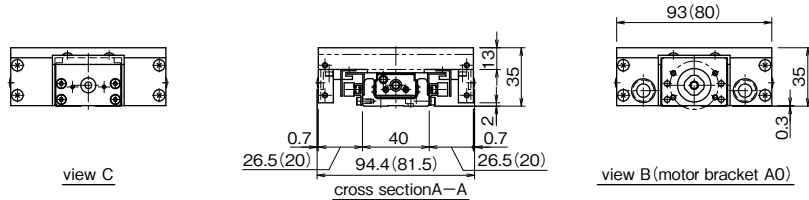
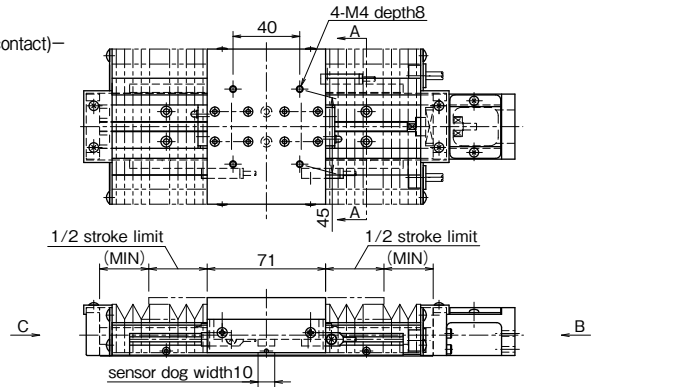
part number	A	B
BG20	5	8
BG26	5	13
BG33	10	13
BG46	10	13
BG55	10	13

BG20A, B

—1 long block—



—2 long blocks (in close contact)—



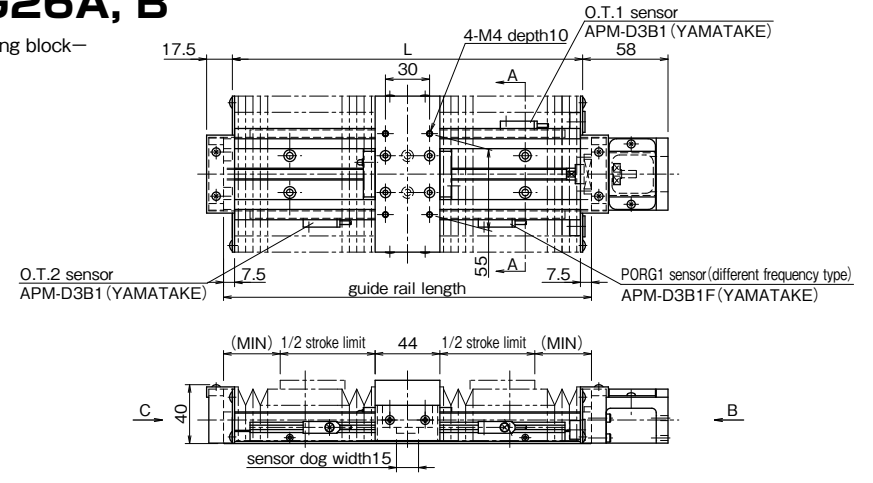
- 1.The drawings show the "JMN" configuration.
- 2.The numbers in the parentheses are the dimensions when sensors are not selected.
- 3.Please refer to page H-56 for dimensions that are not shown on the drawings.
- 4.material of bellows: composite resin sheet (shining black)

rail length	L	1 long block			2 long blocks		
		stroke limit	effective stroke	MIN	stroke limit	effective stroke	MIN
100	—	—	—	—	—	—	—
150*	138	58	48	29.5	32	22	23.5
200	188	100	90	33.5	70	60	29.5

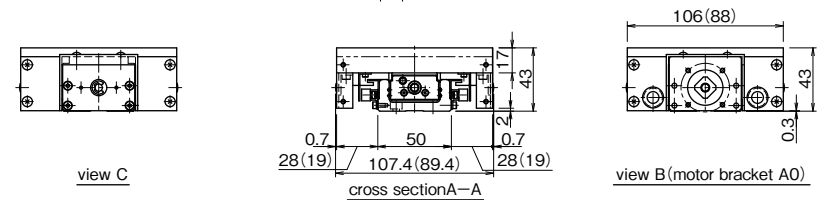
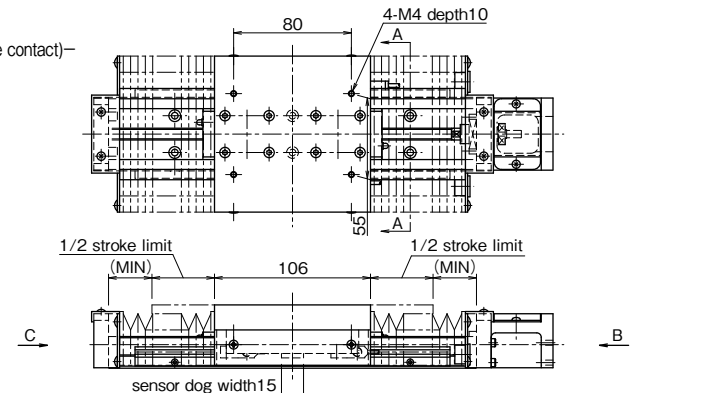
*The rail mounting holes at the center cannot be used for the rail length 150 with two long blocks.

BG26A, B

—1 long block—



—2 long blocks (in close contact)—



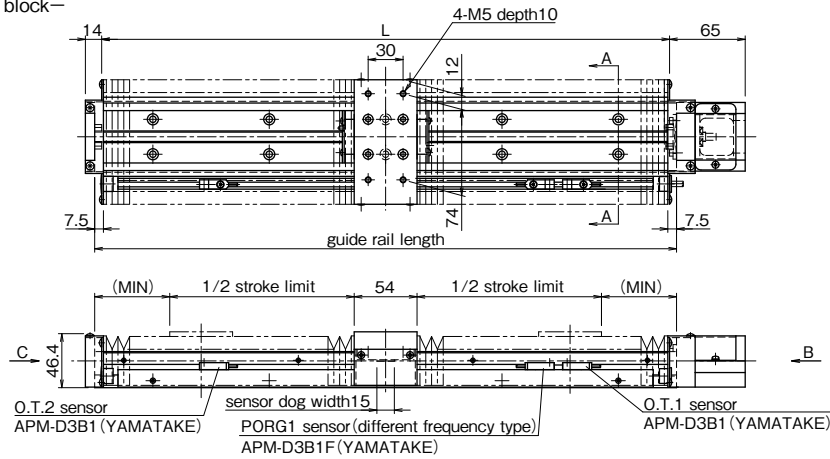
- 1.The drawings show the "JMN" configuration.
- 2.The numbers in the parentheses are the dimensions when sensors are not selected.
- 3.Please refer to page H-58 for dimensions that are not shown on the drawings.
- 4.material of bellows: composite resin sheet (shining black)

rail length	L	1 long block			2 long blocks		
		stroke limit	effective stroke	MIN	stroke limit	effective stroke	MIN
150	138	53	43	26.5	—	—	—
200*	188	97	87	29.5	41	31	26.5
250	238	129	119	38.5	85	75	29.5
300	288	169	159	43.5	127	117	33.5

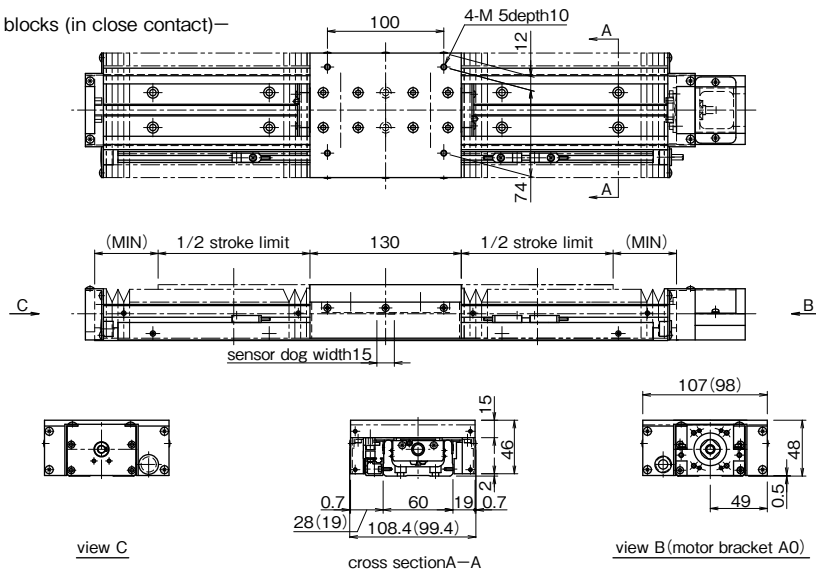
*The rail mounting holes at the center cannot be used for the rail length 200 with two long blocks.

BG33A, B

—1 long block—



—2 long blocks (in close contact)—



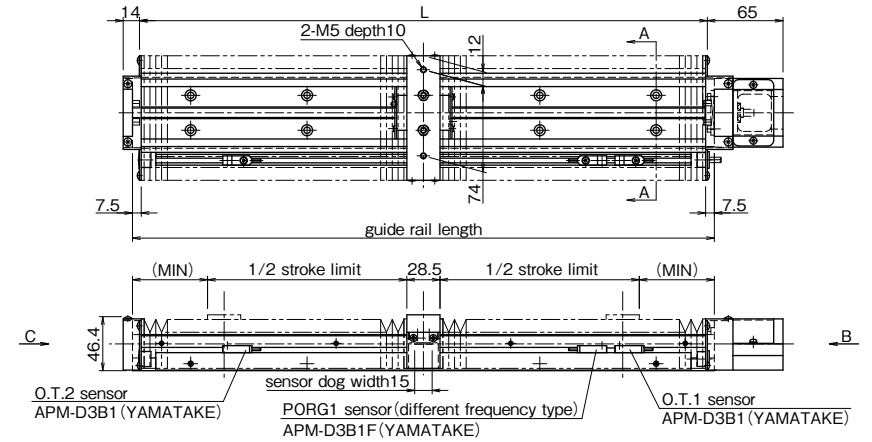
- The drawings show the "JML" configuration. The cross sections become reversed when "J*R" is selected.
- The numbers in the parentheses are the dimensions when sensors are not selected.
- Please refer to page H-60 for dimensions that are not shown on the drawings.
- material of bellows: composite resin sheet (shining black)

rail length	L	1 long block			2 long blocks		
		stroke limit	effective stroke	MIN	stroke limit	effective stroke	MIN
150	—	—	—	—	—	—	—
200	188	79	59	33.5	—	—	—
300*	288	159	139	43.5	103	83	33.5
400	388	237	217	54.5	183	163	43.5
500	488	317	297	64.5	261	241	54.5
600	588	395	375	75.5	341	321	64.5

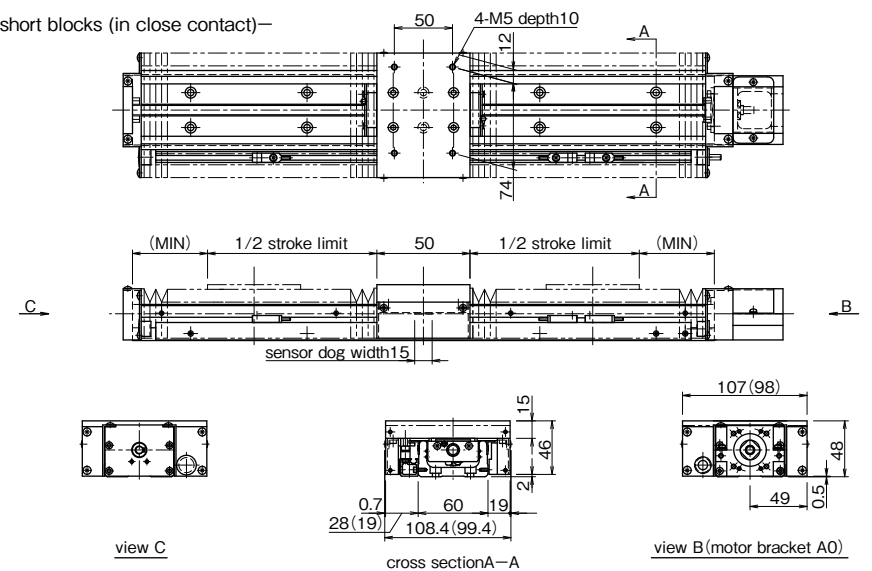
*The rail mounting holes at the center cannot be used for the rail length 300 with two long blocks.

BG33C, D

—1 short block—



—2 short blocks (in close contact)—

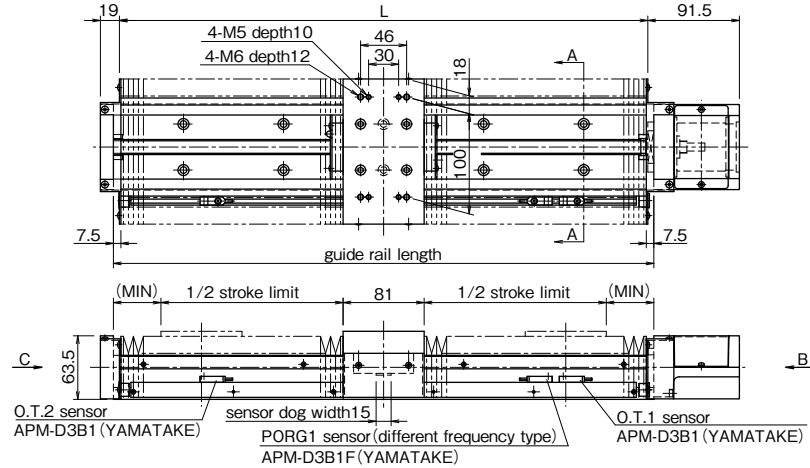


- The drawings show the "JML" configuration. The cross sections become reversed when "J*R" is selected.
- The numbers in the parentheses are the dimensions when sensors are not selected.
- Please refer to page H-62 for dimensions that are not shown on the drawings.
- material of bellows: composite resin sheet (shining black)

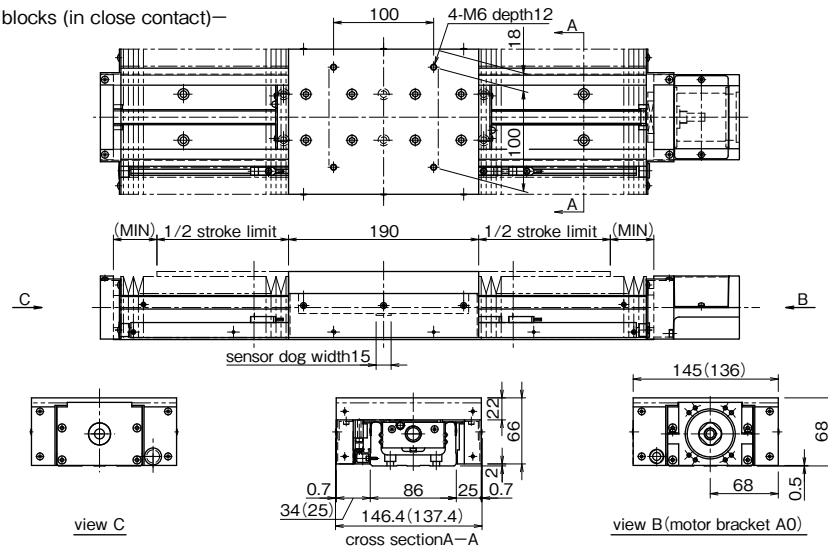
rail length	L	1 short block			2 short blocks		
		stroke limit	effective stroke	MIN	stroke limit	effective stroke	MIN
150	138	68.5	48.5	26.5	—	—	—
200	188	104.5	84.5	33.5	67	47	26.5
300	288	184.5	164.5	43.5	143	123	38.5
400	388	262.5	242.5	54.5	211	191	54.5
500	488	342.5	322.5	64.5	291	271	64.5
600	588	404.5	384.5	83.5	369	349	75.5

BG46A, B

-1 long block-



-2 long blocks (in close contact)-



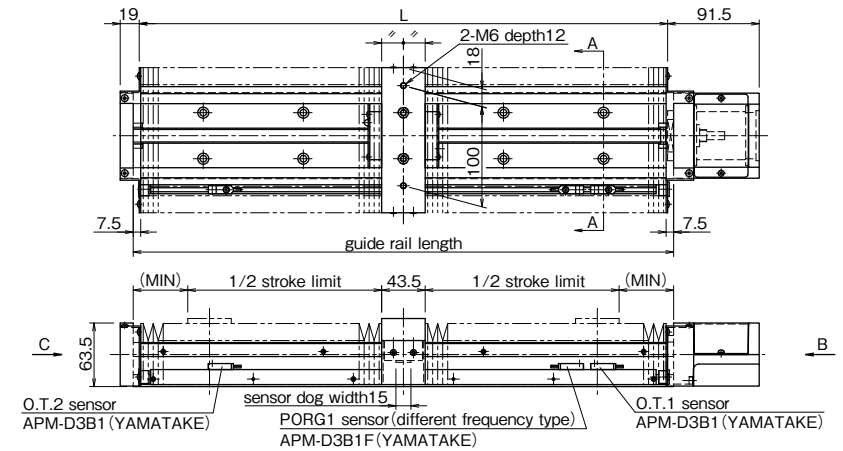
- The drawings show the "JML" configuration. The cross sections become reversed when "J*R" is selected.
- The numbers in the parentheses are the dimensions when sensors are not selected.
- Please refer to page H-64 for dimensions that are not shown on the drawings.
- material of bellows: composite resin sheet (shining black)

rail length	L	1 long block			2 long blocks		
		stroke limit	effective stroke	MIN	stroke limit	effective stroke	MIN
340*	328	192	172	33.5	97	77	26.5
440	428	272	252	43.5	183	163	33.5
540	528	364	344	47.5	263	243	43.5
640	628	450	430	54.5	355	335	47.5
740	728	530	510	64.5	441	421	54.5
840	828	608	588	75.5	521	501	64.5
940	928	686	666	86.5	599	579	75.5
1,040	1,028	774	754	92.5	677	657	86.5
1,140	1,128	866	846	96.5	765	745	92.5
1,240	1,228	944	924	107.5	857	837	96.5

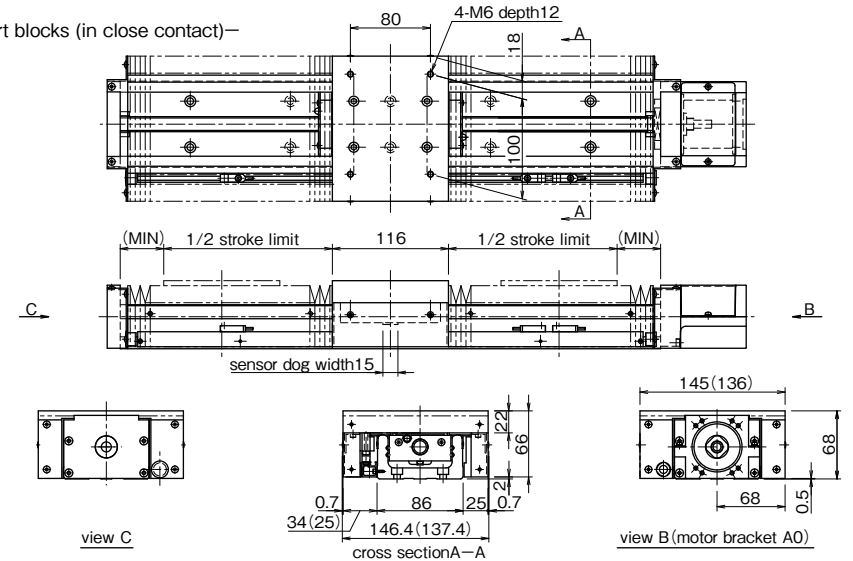
*The rail mounting holes at the center cannot be used for the rail length 340 with two short or long blocks.

BG46C, D

-1 short block-



-2 short blocks (in close contact)-



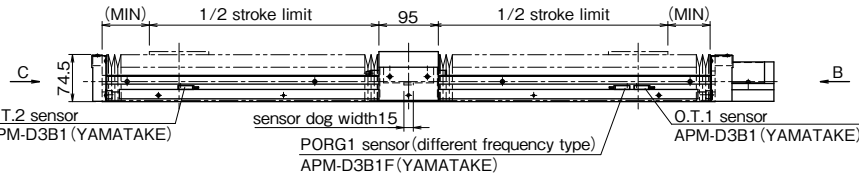
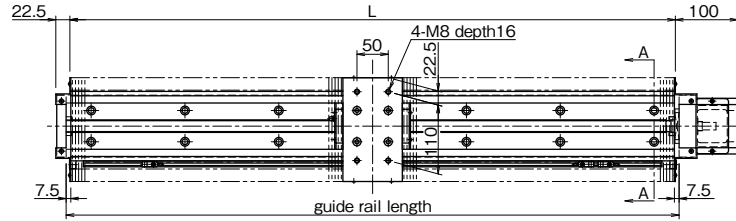
- The drawings show the "JML" configuration. The cross sections become reversed when "J*R" is selected.
- The numbers in the parentheses are the dimensions when sensors are not selected.
- Please refer to page H-66 for dimensions that are not shown on the drawings.
- material of bellows: composite resin sheet (shining black)

rail length	L	1 short block			2 short blocks		
		stroke limit	effective stroke	MIN	stroke limit	effective stroke	MIN
340*	328	219.5	199.5	38.5	165	145	29.5
440	428	309.5	289.5	43.5	247	227	38.5
540	528	387.5	367.5	54.5	337	317	43.5
640	628	467.5	447.5	64.5	415	395	54.5
740	728	545.5	525.5	75.5	495	475	64.5
840	828	645.5	625.5	75.5	573	553	75.5
940	928	723.5	703.5	86.5	651	631	86.5
1,040	1,028	803.5	783.5	96.5	731	711	96.5
1,140	1,128	881.5	861.5	107.5	811	791	107.5
1,240	1,228	961.5	941.5	107.5	899	879	107.5

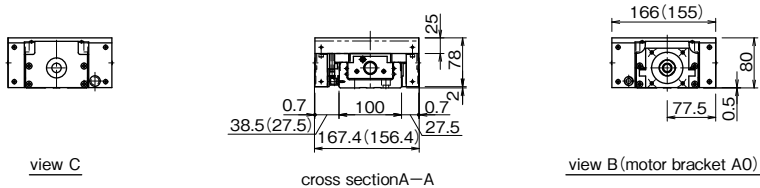
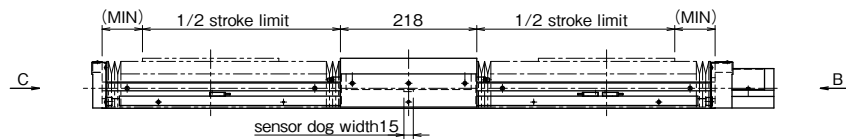
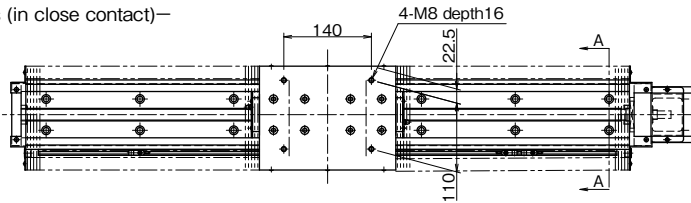
*The rail mounting holes at the center cannot be used for the rail length 340 with two short or long blocks.

BG55A, B

—1 long block—



—2 long blocks (in close contact)—



- The drawings show the "JML" configuration. The cross sections become reversed when "J*R" is selected.
- The numbers in the parentheses are the dimensions when sensors are not selected.
- Please refer to page H-68 for dimensions that are not shown on the drawings.
- material of bellows: composite resin sheet (shining black)

rail length	L	1 long block		2 long blocks			
		stroke limit	effective stroke	MIN	stroke limit	effective stroke	MIN
980	968	734	714	75.5	633	613	64.5
1,080	1,068	812	792	86.5	711	691	75.5
1,180	1,168	912	892	86.5	789	769	86.5
1,280	1,268	992	972	96.5	889	869	86.5
1,380	1,368	1,070	1,050	107.5	969	949	96.5

POSITIONING PIN HOLE

For the BG type, positioning pin holes can be provided on the slide block or the sub-table by adding the option code "PS" or "PW" at the end of the part number. When two blocks are used in the BG, the both blocks will be processed.

It is useful when exacting reassembly positioning is required.

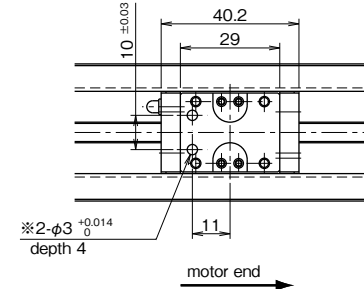
When the code "PS" is added, the drilling is processed only on the mounting surface. On the other hand, when the code "PW" is specified for a BG with a cover, straight pins will be used at the connecting area of the slide block and the sub table (although the position is the same as the for "PS").

Note that only hole drilling is processed to the mounting surface and that no straight pin is provided.

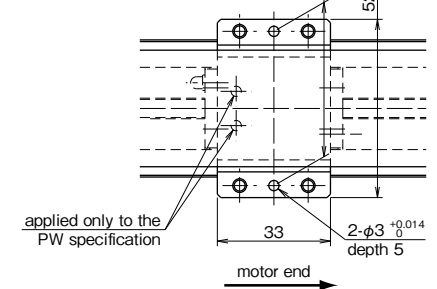
NB provides bellows with the positioning pin hole option. Please contact NB for dimensions of the bellows.

BG20A, B

—Without Cover—



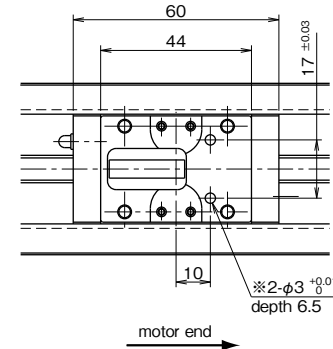
—With Cover—



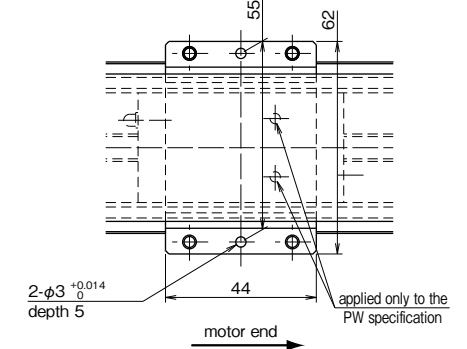
※For some cases, a shallow counterbore of φ4 will be machined at the hole area with "※" to remove a hardened layer.

BG26A, B

—Without Cover—

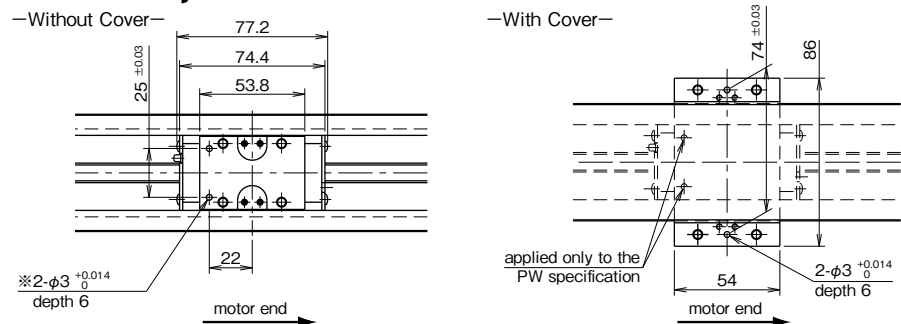


—With Cover—



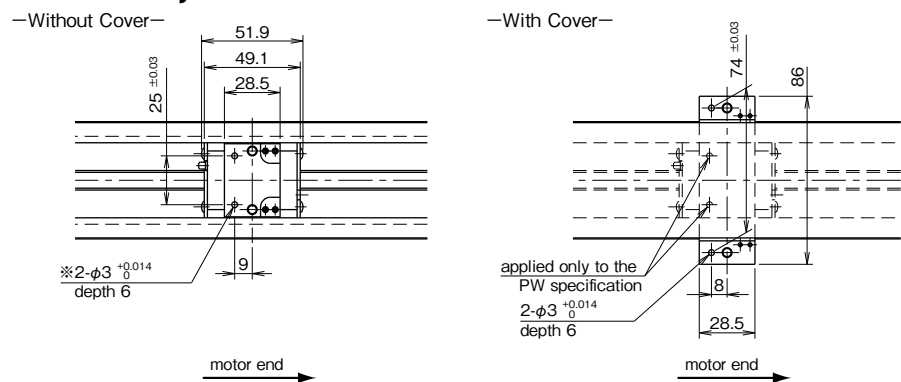
※For some cases, a shallow counterbore of φ4 will be machined at the hole area with "※" to remove a hardened layer.

BG33A, B



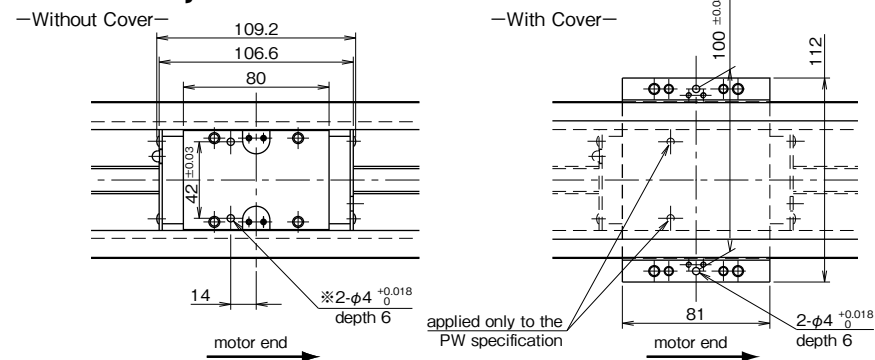
※For some cases, a shallow counterbore of $\phi 4$ will be machined at the hole area with "※" to remove a hardened layer.

BG33C, D



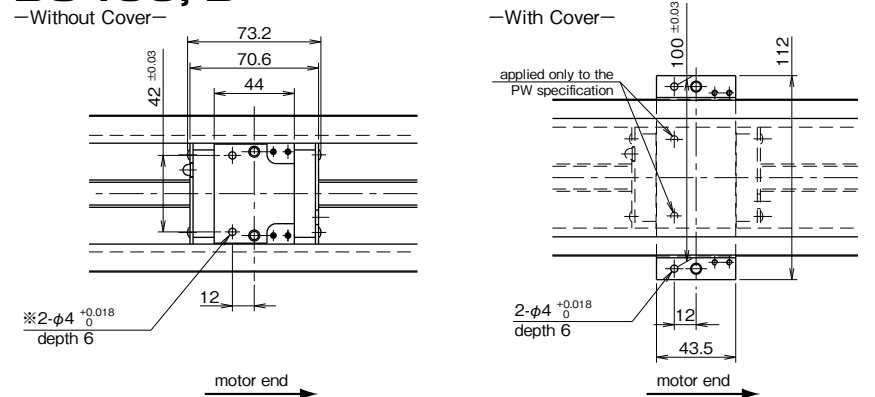
※For some cases, a shallow counterbore of $\phi 4$ will be machined at the hole area with "※" to remove a hardened layer.

BG46A, B



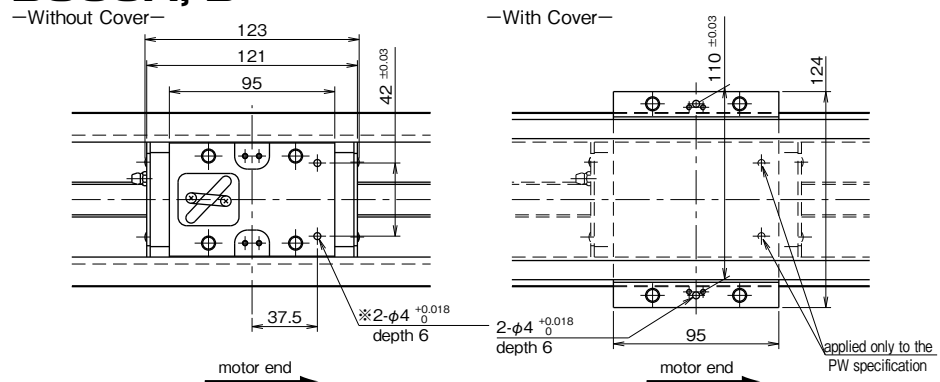
※For some cases, a shallow counterbore of $\phi 5$ will be machined at the hole area with "※" to remove a hardened layer.

BG46C, D



※For some cases, a shallow counterbore of $\phi 5$ will be machined at the hole area with "※" to remove a hardened layer.

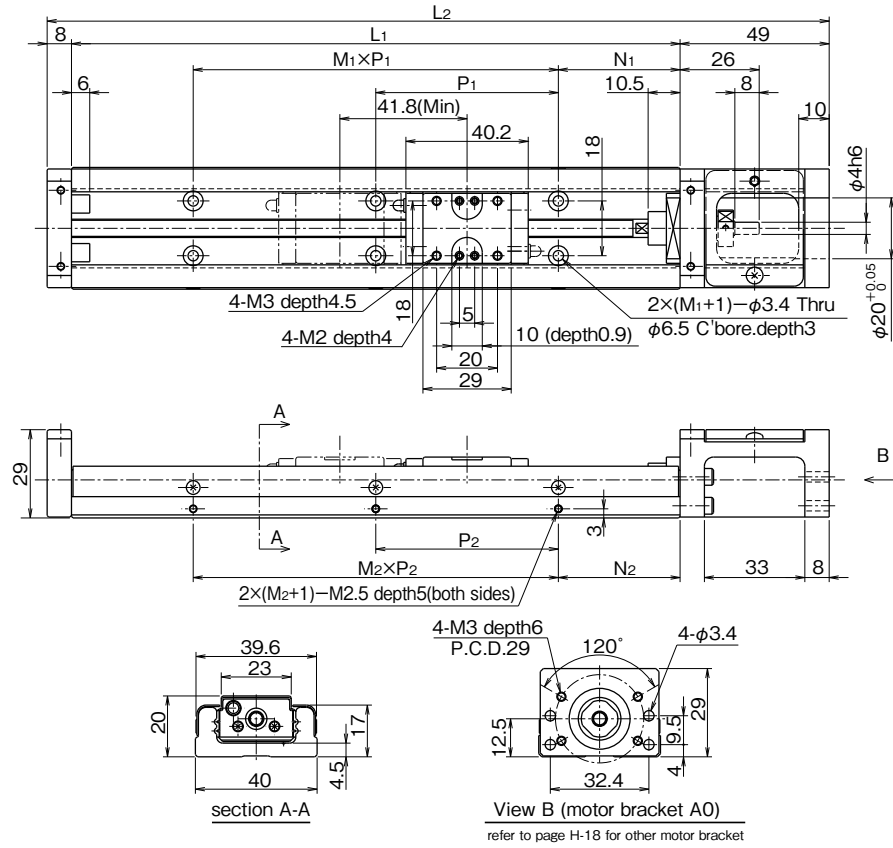
BG55A, B



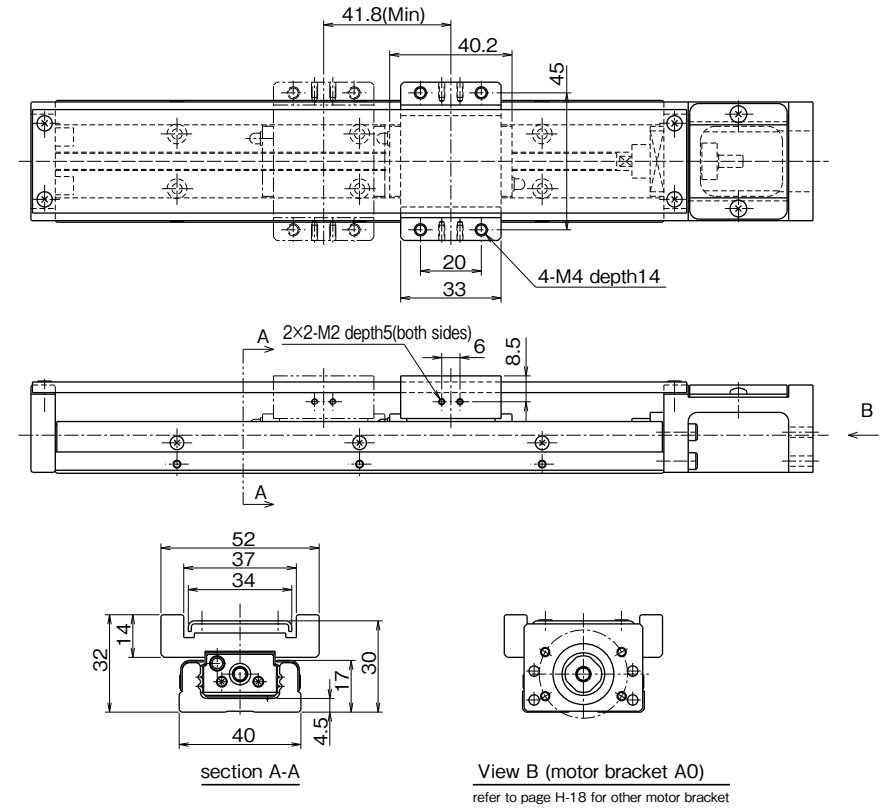
※For some cases, a shallow counterbore of $\phi 5$ will be machined at the hole area with "※" to remove a hardened layer.

BG20A, B

—Without Top Cover—



—With Top Cover—

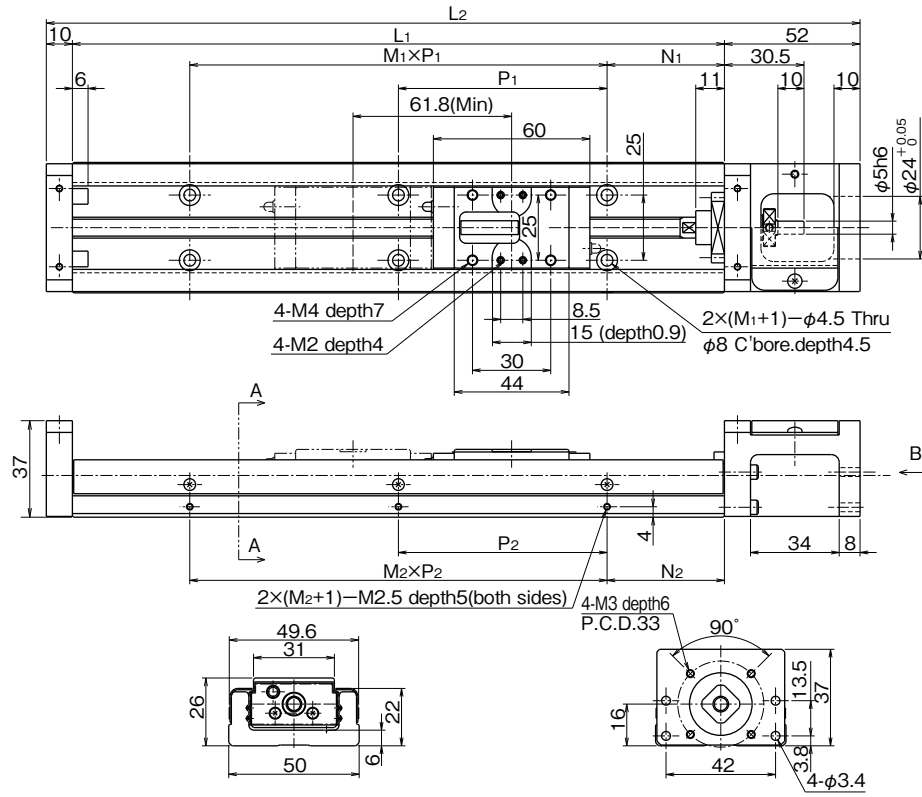


dimensions						stroke limit	
L_1	L_2	N_1	$M_1 \times P_1$	N_2	$M_2 \times P_2$	BG20A	BG20B
100	157	20	1×60	20	1×60	43	—
150	207	15	2×60	15	2×60	93	51
200	257	40		40		143	101

Stroke limit is a drive distance between both ends of the dampers.

BG26A, B

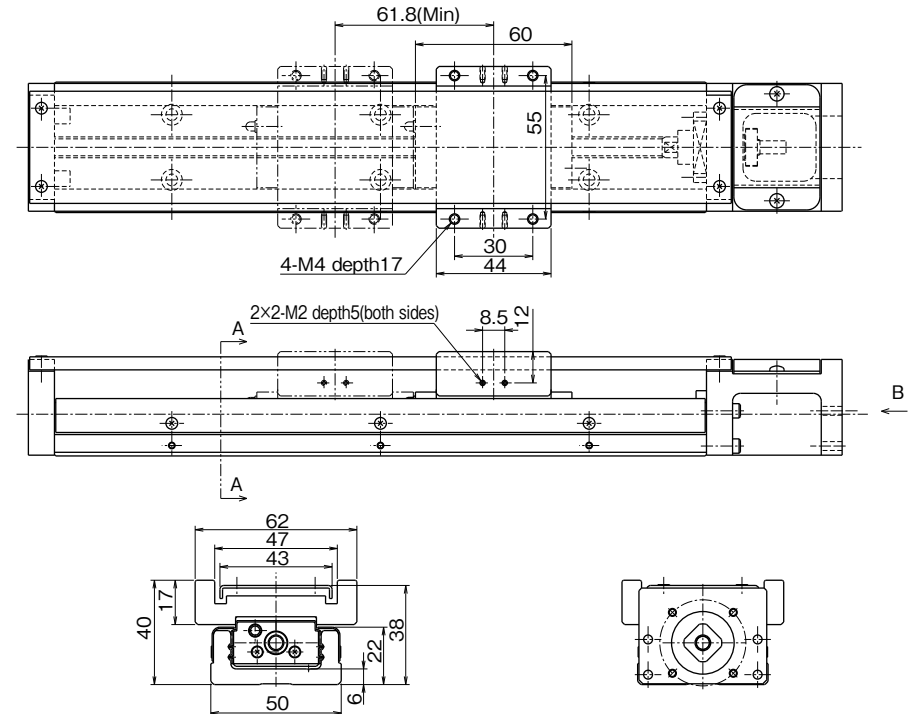
—Without Top Cover—



section A-A

View B (motor bracket A0)
refer to page H-20 for other motor bracket

—With Top Cover—



section A-A

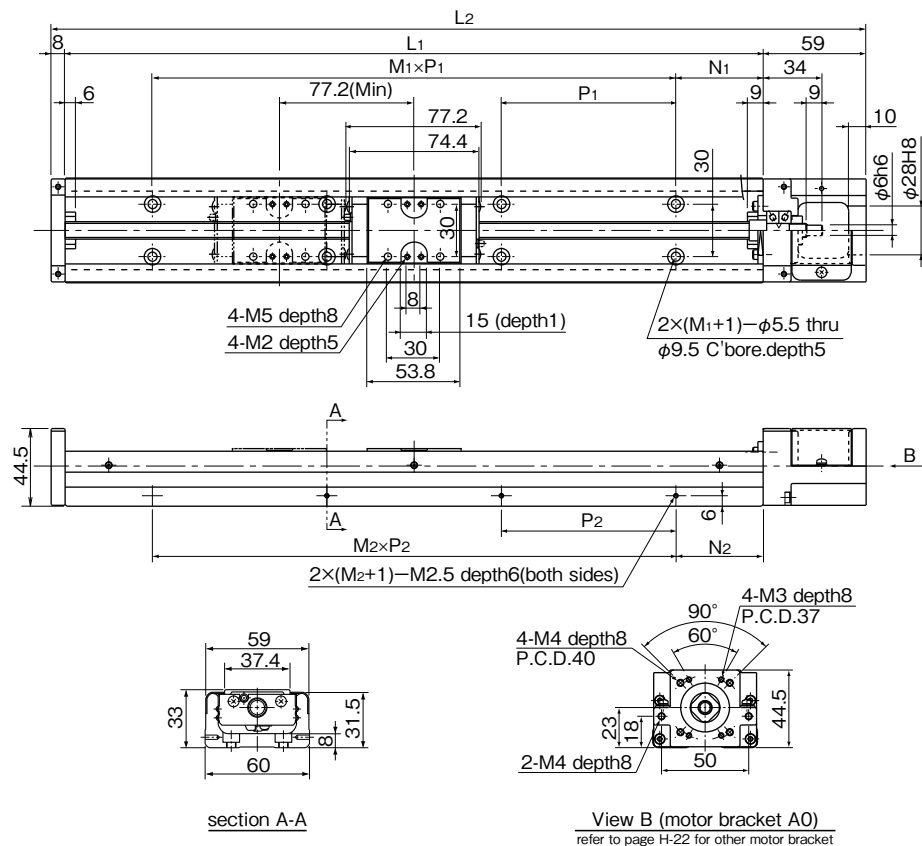
View B (motor bracket A0)
refer to page H-20 for other motor bracket

dimensions						stroke limit	
L1	L2	N1	M1×P1	N2	M2×P2	BG26A	BG26B
150	212	35	1×80	35	1×80	73	—
200	262	20	2×80	20	2×80	123	61
250	312	45		45		173	111
300	362	30	3×80	30	3×80	223	161

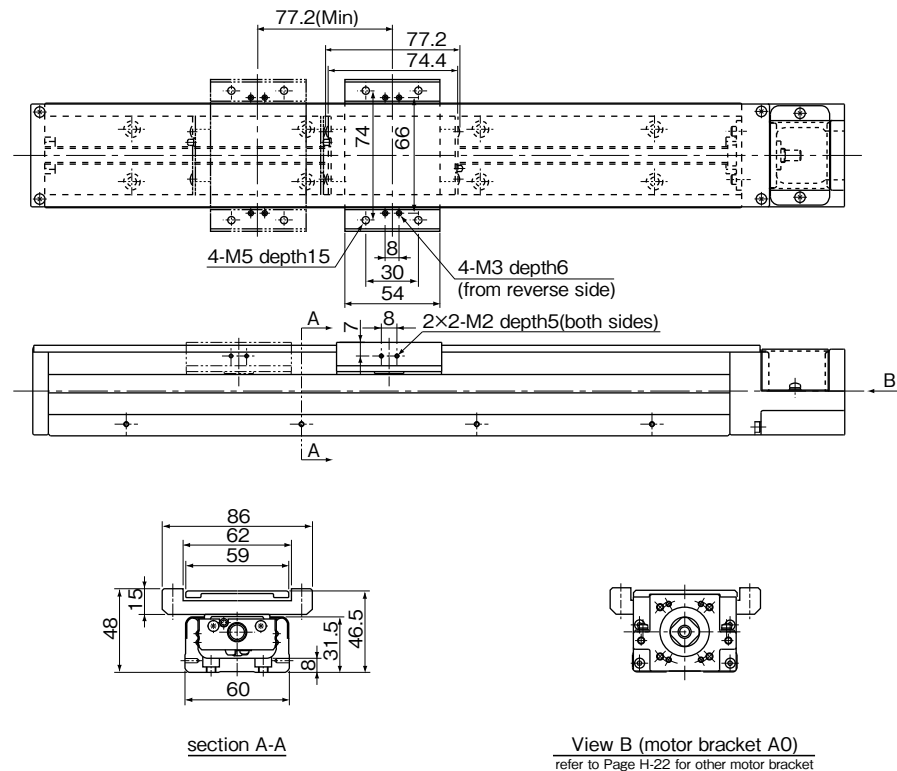
Stroke limit is a drive distance between both ends of the dampers.

BG33A, B

—Without Top Cover—



—With Top Cover—

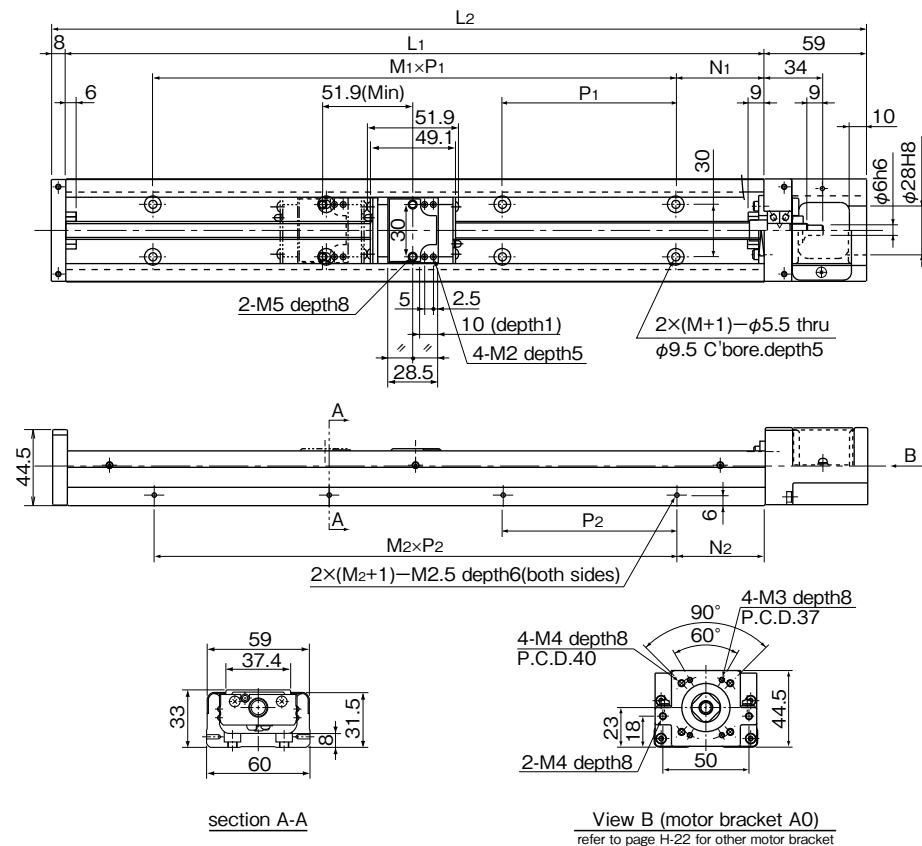


dimensions						stroke limit	
L1	L2	N1	M1×P1	N2	M2×P2	BG33A	BG33B
150	217	25	1×100	25	1×100	60	—
200	267					110	—
300	367					210	133
400	467	50	3×100	50	3×100	310	233
500	567					410	333
600	667					510	433

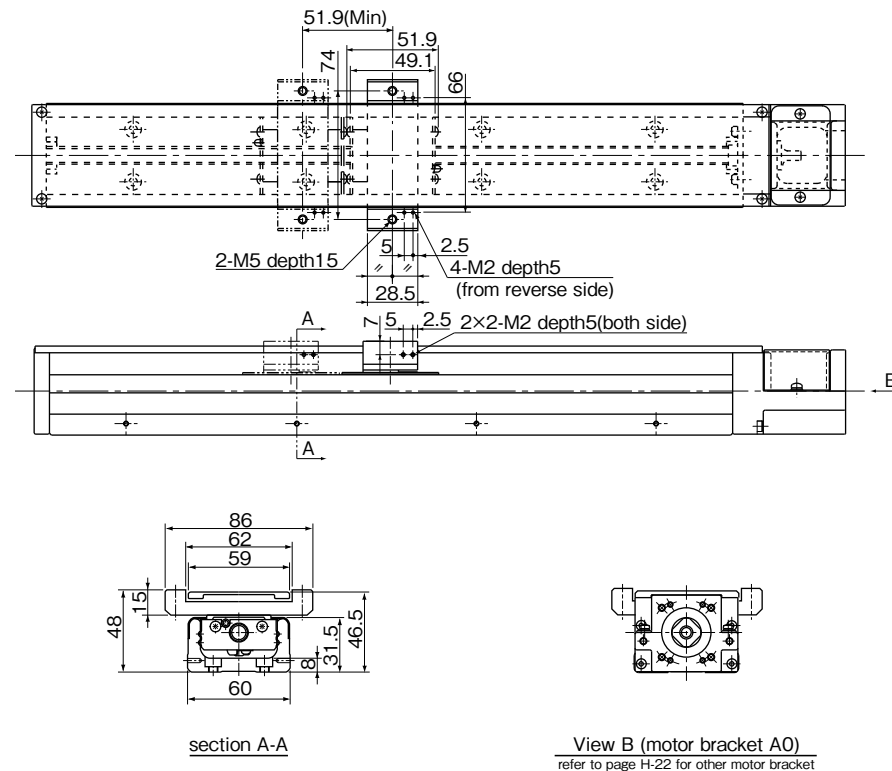
Stroke limit is a drive distance between both ends of the dampers.

BG33C, D

—Without Top Cover—



—With Top Cover—

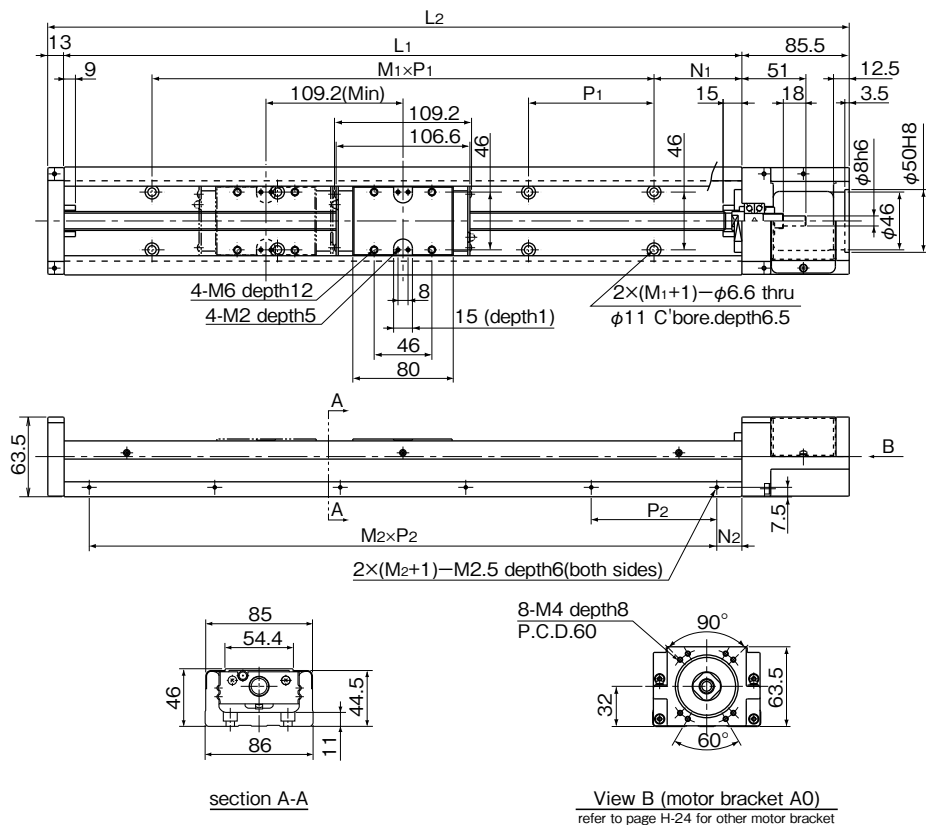


dimensions						stroke limit	
L1	L2	N1	M1×P1	N2	M2×P2	BG33C	BG33D
150	217	25	1×100	25	1×100	85	34
200	267				135	84	
300	367		2×100		235	184	
400	467	50	3×100	50	3×100	335	284
500	567		4×100		435	384	
600	667		5×100		535	484	

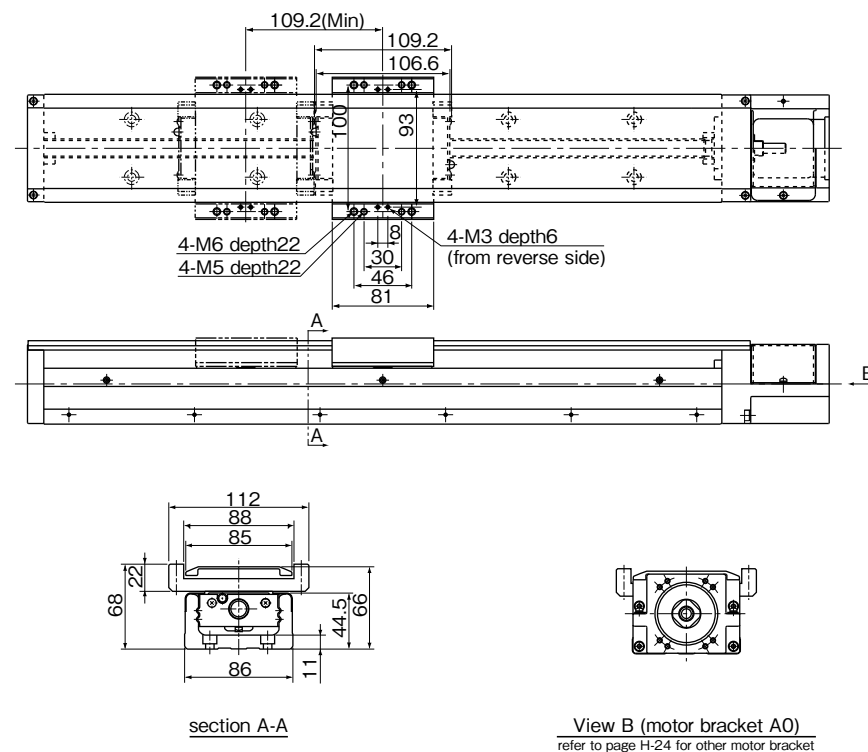
Stroke limit is a drive distance between both ends of the dampers.

BG46A, B

—Without Top Cover—



—With Top Cover—

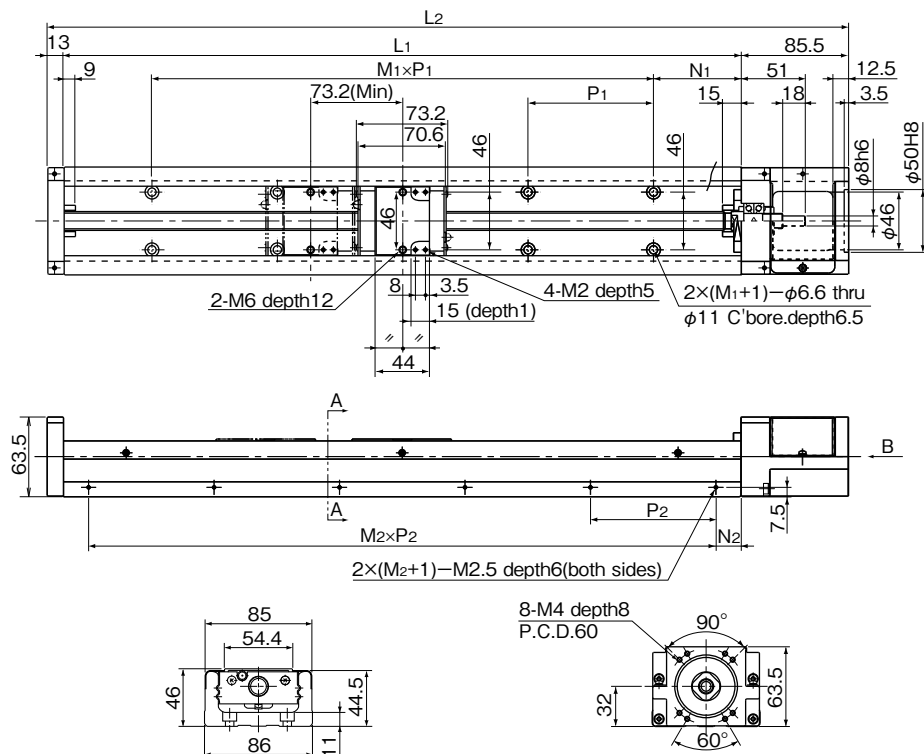


dimensions					stroke limit		
L1	L2	N1	M1×P1	N2	M2×P2	BG46A	BG46B
340	438.5	70	2×100	20	3×100	209	100
440	538.5		3×100		4×100	309	200
540	638.5		4×100		5×100	409	300
640	738.5		5×100		6×100	509	400
740	838.5		6×100		7×100	609	500
840	938.5		7×100		8×100	709	600
940	1,038.5		8×100		9×100	809	700
1,040	1,138.5		9×100		10×100	909	800
1,140	1,238.5		10×100		11×100	1,009	900
1,240	1,338.5		11×100		12×100	1,109	1,000

Stroke limit is a drive distance between both ends of the dampers.

BG46C, D

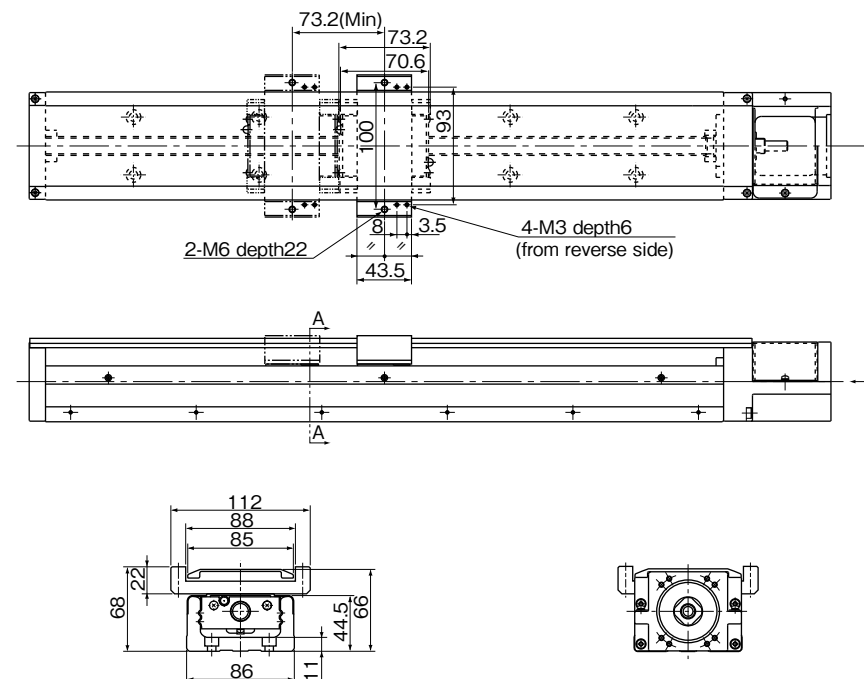
—Without Top Cover—



section A-A

View B (motor bracket A0)
refer to page H-24 for other motor bracket

—With Top Cover—



section A-A

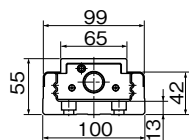
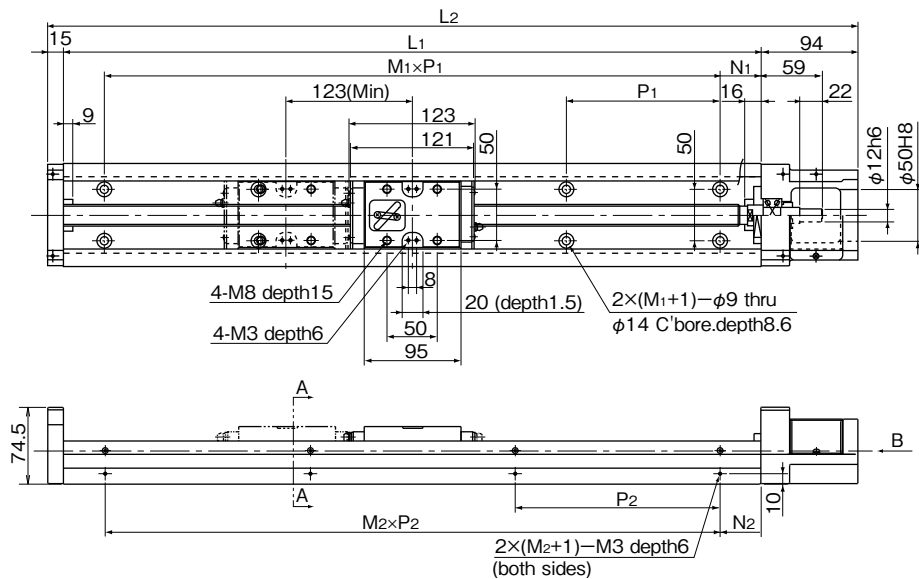
View B (motor bracket A0)
refer to page H-24 for other motor bracket

dimensions					stroke limit		
L1	L2	N1	M1×P1	N2	M2×P2	BG46C	BG46D
340	438.5	70	2×100	20	3×100	245	172
440	538.5		3×100		4×100	345	272
540	638.5		4×100		5×100	445	372
640	738.5		5×100		6×100	545	472
740	838.5		6×100		7×100	645	572
840	938.5		7×100		8×100	745	672
940	1,038.5		8×100		9×100	845	772
1,040	1,138.5		9×100		10×100	945	872
1,140	1,238.5		10×100		11×100	1,045	972
1,240	1,338.5		11×100		12×100	1,145	1,072

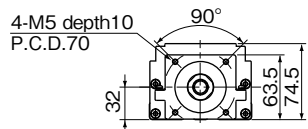
Stroke limit is a drive distance between both ends of the dampers.

BG55A, B

—Without Top Cover—

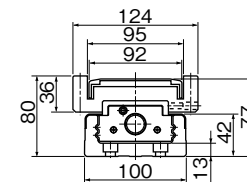
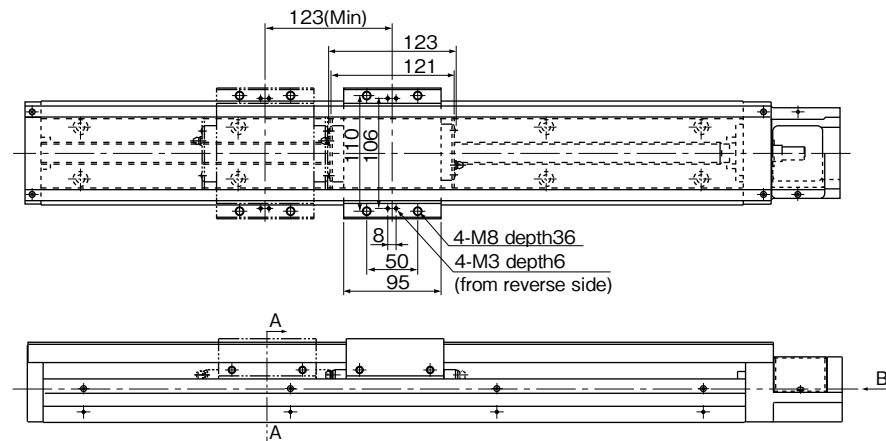


section A-A

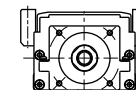


View B (motor bracket A0)
refer to page H-26 for other motor bracket

—With Top Cover—



section A-A



View B (motor bracket A0)
refer to page H-26 for other motor bracket

dimensions						stroke limit	
L1	L2	N1	M1×P1	N2	M2×P2	BG55A	BG55B
980	1,089	40	6×150	90	4×200	834	711
1,080	1,189	15	7×150	40	5×200	934	811
1,180	1,289	65		90		1,034	911
1,280	1,389	40	8×150	40	6×200	1,134	1,011
1,380	1,489	15	9×150	90		1,234	1,111

Stroke limit is a drive distance between both ends of the dampers.

SLIDE SCREW

SLIDE SCREW

The NB slide screw converts rotational motion into linear motion by utilizing the friction between radial ball bearings and a shaft. This simple mechanism eases maintenance and installation work. The slide screw is most commonly used as transport devices in many types of machines, and is not intended for accurate positioning requirements.

STRUCTURE AND ADVANTAGES

The NB slide screw consists of two aluminum blocks, each with three radial bearings with a fixed angle between them. A round shaft is inserted between the two blocks, and its rotation produces linear motion determined by the contact angle between the shaft and the bearings. For variable loads, the thrust is adjusted by turning the spring loaded thrust adjustment bolts.

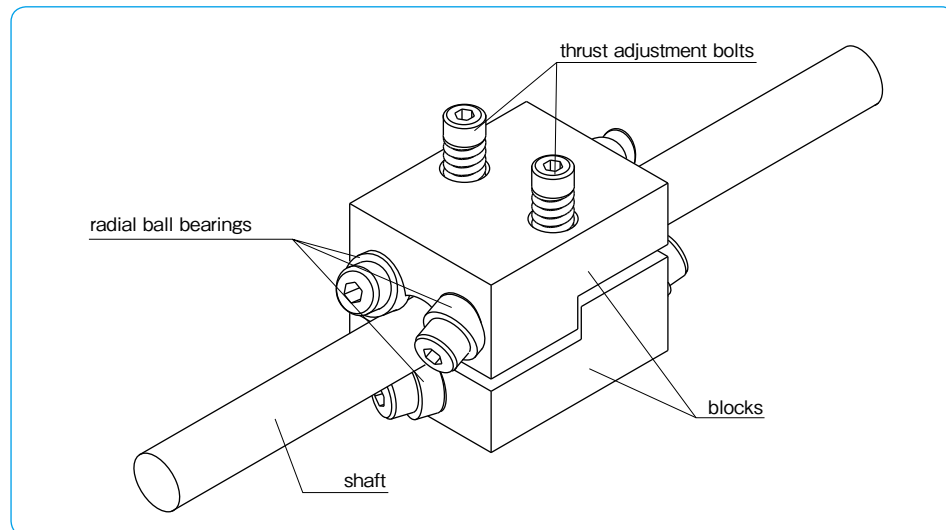
Linear Motion on Round-shaft

The NB slide screw is suitable for long-stroke applications using a standard linear shaft.

High Machine Efficiency

The slide screw utilizes the rotational motion of the bearings and shaft to achieve machine efficiency as high as 90%.

Figure I-1 Structure of NB Slide Screw



SELECTION METHOD

Required Thrust

Tightening of the bolts creates a thrust force by pushing the bearings against the shaft. This results in a constant force being applied to the bearings regardless of the load.

The thrust should not be greater than required force in the application.

For the horizontal application, the frictional resistance is calculated by the following equation.

$$F_1 = \mu \cdot g \cdot W \dots\dots\dots (1)$$

F₁: frictional resistance (N) μ: friction coefficient
W: mass of work (kg)
g: gravitational acceleration (9.8 m/sec²)

A sufficient safety margin should be achieved by setting μ = 0.01. Also, the inertia at starting and stopping should be taken into consideration.

$$F_2 = W \frac{dv}{dt} \dots\dots\dots (2)$$

F₂: inertia (N) W: mass of work (kg)
dv/dt: acceleration (9.8m/sec²)

Therefore, the required thrust is its maximum at starting point due to the combination of frictional resistance and inertia.

$$F = F_1 + F_2 \dots\dots\dots (3)$$

F: thrust (N) F₁: frictional resistance (N) F₂: inertia (N)

Rated Life

The rated life is expressed in terms of the number of revolutions of the drive shaft by Equation (4). The corresponding total travel distance and life time are given in Equations (5) and (6) respectively.

Rated life

$$L = \left(\frac{C}{F}\right)^3 10^6 \dots\dots\dots (4)$$

Total travel distance

$$L_s = \frac{L \cdot \ell}{10^6} \dots\dots\dots (5)$$

Life time

$$L_h = \frac{L}{60 \cdot n} \dots\dots\dots (6)$$

L: rated life (rev) C: basic dynamic load rating (N)
F: thrust (N) L_s: travel life (km) ℓ: lead (mm)
L_h: life time (hr) n: revolutions per min (rpm)

Table I-1 Basic Dynamic Load Rating

part number	basic dynamic load rating (N)
SS 6	98
SS 8	294
SS10	441
SS12	588
SS13	588
SS16	784
SS20	1,080
SS25	1,470
SS30	2,160

Allowable Rotational Speed

When the rotational speed is increased and approaches the shaft resonant frequency, the shaft is disabled from further operation. This speed is called the critical speed and can be obtained by the following equation. In order to leave a sufficient safety margin, the maximum operating speed should be set at about 80% of the calculated value.

$$N_c = \frac{60\lambda^2}{2\pi L^2} \cdot \sqrt{\frac{EI \times 10^3}{\gamma A}} \dots\dots\dots (7)$$

N_c: critical speed (rpm)
 E: modulus of direct elasticity (N/mm²)
 γ: density (kg/mm³)
 λ: installation coefficient (refer to Figure I-3)
 L: support distance (mm)
 I: geometrical moment of inertia (mm⁴)
 A: cross-sectional area of the shaft (mm²)

If modulus of direct elasticity is 2.06×10⁵N/mm² and density is 7.85×10⁻⁶kg/mm³, the critical speed for a solid shaft is:

$$N_c = 12.2 \cdot \frac{\lambda^2}{L^2} D \times 10^6 \dots\dots\dots (8)$$

N_c: critical speed (rpm)
 λ: installation coefficient (refer to Figure I-3)
 L: support distance (mm) D: shaft diameter (mm)

Figure I-2 Critical Speed and Support Distance

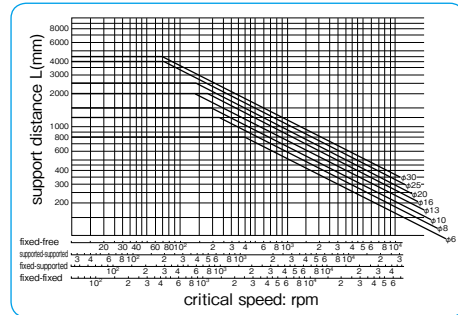
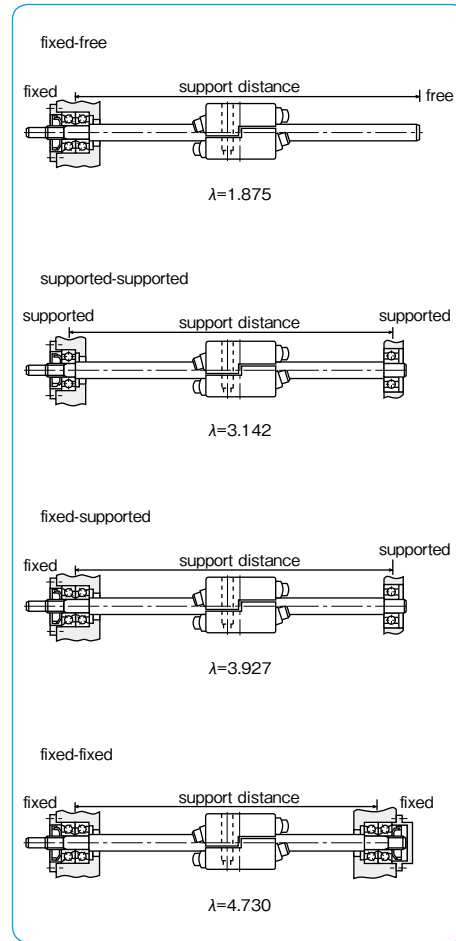


Figure I-3 Mounting of Slide Screw



Calculation Example

1. Selecting a slide screw that satisfies the following conditions:

- Support method: fixed-supported
- Support distance: 1,500 mm
- External force: 98 N
- Table mass: 50 kg
- Stroke distance: 1,200 mm
- Friction coefficient: 0.01
- Maximum speed of transfer: 12 m/min
- Cycles per minute: 4

● Determination of required thrust:
 F=98+ (0.01×50×9.8) =102.9 N

Therefore, based on the maximum thrust in the dimension table, at least SS10 is required in size.

● Allowable rotational speed:
 From Equation (8), according to the conditions, the critical speed N_c is.

$$N_c = 12.2 \cdot \frac{\lambda^2}{L^2} \cdot D \times 10^6 \quad \left[\begin{array}{l} \lambda = 3.927 \\ L = 1500\text{mm} \end{array} \right]$$

$$= 83.6D \text{ rev}$$

Applying a safety factor of 0.8, the maximum speed is given by:

$$V_{max} = \frac{0.8 \cdot N_c \cdot \ell}{1000} \text{ m/min}$$

(ℓ: lead mm)

The following table summarizes the results of the calculations above for SS10 to SS16.

Table I-2 Maximum Speed

part number	shaft diameter D mm	lead ℓ mm	critical speed N _c rpm	maximum speed V _{max} m/min
SS10-10	10	10	836	6.68
SS10-15		15		10.0
SS13-13	13	13	1,086	11.2
SS13-15		15		13.0
SS16-16	16	16	1,337	17.1

Therefore, the SS13-15 and SS16-16 slide screws satisfy the given conditions.

● Life Calculation

The life for the SS13-15 slide screw is calculated as follows. The rated life is obtained using Equation (4).

$$L = \left(\frac{C}{F}\right)^3 10^6 = 186 \times 10^6 \text{ rev}$$

The average number of rotations that satisfies the conditions is:

$$n = \frac{1,200 \times 2 \times 4}{15} = 640 \text{ rev}$$

The life in terms of time is:

$$L_h = \frac{L}{60 \times n} = 4,840 \text{ (h)}$$

For the SS16-16 slide screw:

$$L = 4.40 \times 10^6 \text{ rev}$$

$$n = 600 \text{ rev}$$

$$L_h = 12,200 \text{ (h)}$$

2. Determining the maximum speed of transfer under the following conditions:

Support method: fixed-supported

Support distance: 2,000mm

Slide screw selected: SS16-16

The critical speed is obtained from Equation (8):

$$N_c = 12.2 \cdot \frac{\lambda^2}{L^2} \cdot D \times 10^6 \quad \left[\begin{array}{l} \lambda = 3.927 \\ L = 2000\text{mm} \\ D = 16\text{mm} \end{array} \right]$$

$$= 752 \text{ rpm}$$

Applying a safety factor of 0.8, the maximum speed of transfer is:

$$V_{max} = \frac{0.8 \cdot N_c \cdot \ell}{1000} \text{ m/min } (\ell: \text{lead mm})$$

$$= 9.6 \text{ m/min}$$

INSTALLATION

1. Clean dust from drive shaft.
2. Place shaft between upper and lower blocks. Lightly tighten thrust adjustment bolts until the clearance between the shaft and the bearings diminishes.
3. Temporarily attach the slide screw to the table.
4. Adjust the parallelism between the slide screw and the linear motion guides by manually moving the table back and forth. Fix the shaft accurately after the required parallelism is achieved.
5. Tighten the thrust adjustment bolts evenly while applying a thrust force to the table until slippage disappears. Care should be required to avoid excessive tightening which results in shortening the rated life.

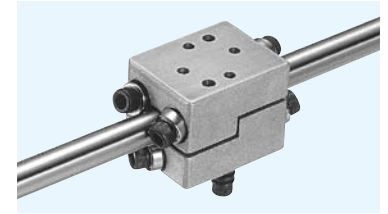
USE AND HANDLING PRECAUTIONS

- It is recommended to use a heat-treated ground shaft such as NB shaft to prevent wear and obtain smooth motion. (refer to page F-1)
- Since the slide screw utilizes the friction between the bearings and the shaft, the lead varies due to the effect of load variation, movement direction, and shaft conditions. Highly accurate positioning can be obtained by attaching a linear scale to the table.
- If the slide screw and linear motion guides are not parallel, an unbalanced load will be applied to the slide screw. Exercise care in controlling the parallelism.
- The slide screw slips on the shaft, if an excessive load is applied, in order to prevent damage. However, frequent slippage should be avoided in order not to shorten the travel life.
- Please transfer the radial load to linear motion guides since the radial load on the slide screw shortens the rated life. For long stroke applications, it is recommended to use linear and rotary motion components such as Slide Rotary Bush (refer to page E-8) along with a slide screw.

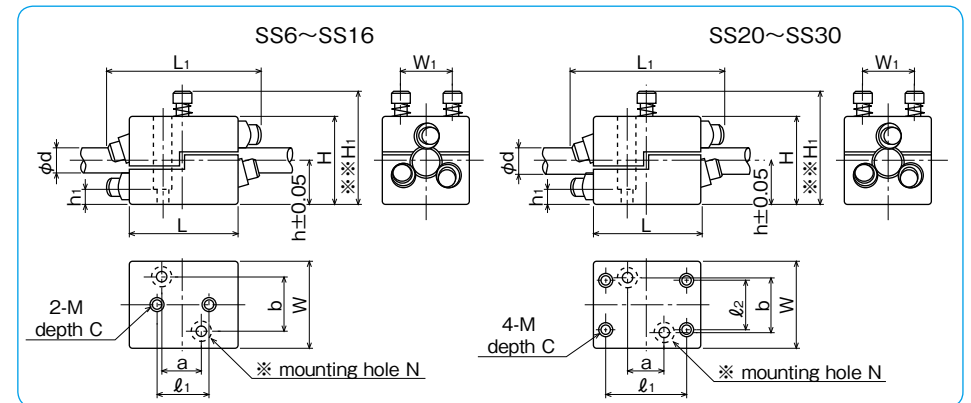
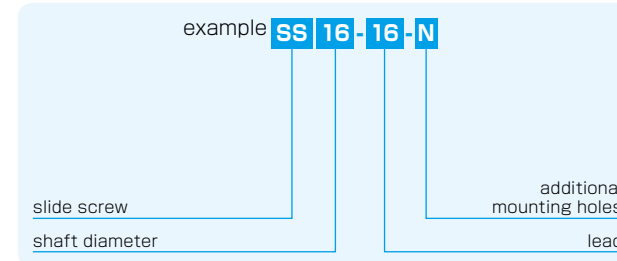
SPECIAL REQUIREMENTS

NB can fabricate slide screws to meet special requirements, including screws with a special lead or a reverse lead. Contact NB for further information.

SS TYPE



part number structure



part number	shaft diameter	major dimensions																standard lead	maximum thrust	maximum tightening torque	mass
	d	H	W	L	h	H ₁	L ₁	W ₁	l ₁	l ₂	a	b	M	C	N	h ₁	mm				
SS 6	6	20.5	20	25	10	28	36	12	10	—	—	—	M3	6.5	—	—	6, 9	24.5	0.03	0.03	
SS 8	8	28.5	28	40	14	40	56	18	18	—	—	—	M4	9	—	—	8,12	73.5	0.14	0.09	
SS10	10	36.5	36	46	18	51	62	24	20	—	20	24	M4	12	M4	8	10,15	118	0.25	0.17	
SS12	12	40.5	40	50	20	54	72	25	25	—	20	25	M5	12.5	M4	10	12,18	147	0.31	0.22	
SS13	13	40.5	40	50	20	54	72	25	25	—	20	25	M5	12.5	M4	10	13,15	147	0.31	0.22	
SS16	16	50.5	50	60	25	62	86	32	30	—	25	32	M5	16	M5	10	16,24	196	0.41	0.39	
SS20	20	60.5	60	70	30	71	97	40	50	40	30	40	M6	12	M6	10	20,30	265	0.56	0.57	
SS25	25	76.5	76	80	38	82	110	50	60	50	32	50	M8	12	M8	15	25	392	1.1	1.05	
SS30	30	89	90	88	44	92	127	60	60	70	36	60	M8	15	M8	15	30,45	539	1.4	1.65	

※ The mounting holes are machined on request. 1N ≒ 0.102kgf 1N·m ≒ 0.102kgf·m
 ※※ H₁ is the minimum height when the maximum thrust is applied.



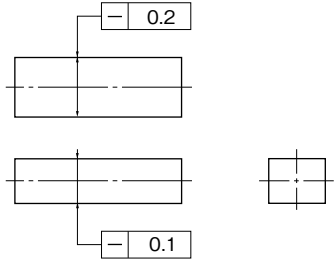
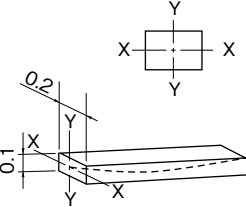
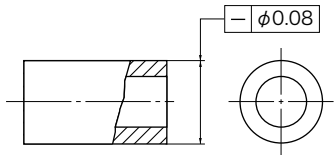
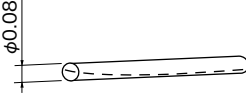
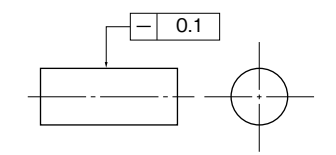
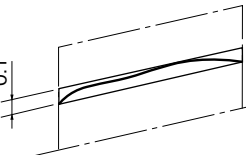
TECHNICAL

REFERENCE

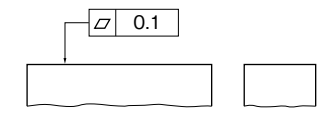
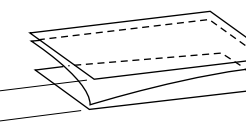
DEFINITIONS AND DESIGNATIONS OF GEOMETRICAL DEVIATIONS (JIS B0621)

TOLERANCING OF FORM, ORIENTATION, LOCATION AND RUN-OUT (JIS B0021)

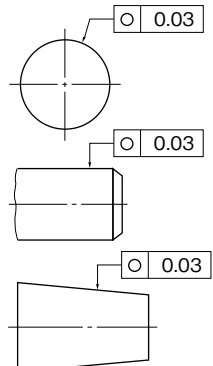
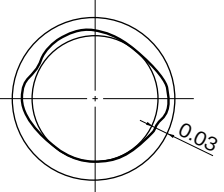
STRAIGHTNESS Straightness indicates the degree of deviation of a straight portion from the geometrical straight line.

<p>Straightness of two directions perpendicular to each other (Axis of a rectangular parallelepiped)</p> 	<p>Space inside the prism enclosed by two pairs of parallel planes with intervals of 0.2mm and 0.1mm in the directions of indicated arrows</p> 
<p>Straightness with no direction defined (Axis of a cylinder)</p> 	<p>Space inside a cylinder with a diameter of 0.08mm</p> 
<p>Straightness of a surface element (Generatrix of a cylinder)</p> 	<p>Space between a pair of parallel straight lines with an interval of 0.1mm on an arbitrary plane including the axis</p> 

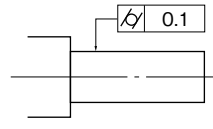
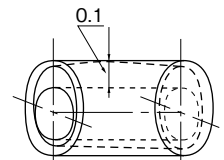
FLATNESS Flatness indicates the degree of deviation of a flat portion from the geometrical plane.

<p>General flatness</p> 	<p>Space between a pair of parallel planes with an interval of 0.1mm</p> 
---	--

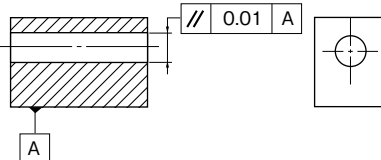
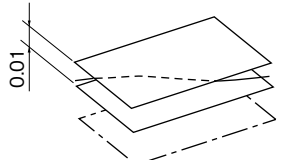
CIRCULARITY Circularity indicates the degree of deviation of a circular portion from the geometrical circle.

	<p>Space between two concentric circles with a radius difference of 0.03mm. Applicable to an arbitrary cross section perpendicular to the axis.</p> 
---	---

CYLINDRICITY Cylindricity indicates the degree of deviation of a cylindrical portion from the geometrical cylindrical surface.

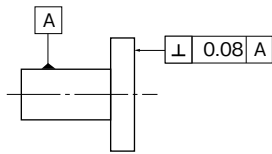
	<p>Space between two concentric cylinders with a radius difference of 0.1mm</p> 
--	--

PARALLELISM Parallelism assumes a combination of two straight portions, a straight portion and a flat portion, or two flat portions which must be parallel to each other. Parallelism indicates, with one of the two portions as a reference, the degree of deviation of the other straight or flat portion from the geometrical straight line or plane parallel to the reference straight line or plane.

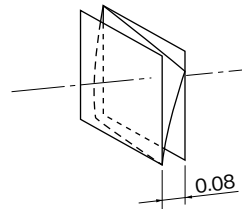
<p>Parallelism of a straight portion with respect to the reference plane (Axis of a hole)</p> 	<p>Space between two parallel planes with an interval of 0.01mm, parallel to the reference plane</p> 
---	--

PERPENDICULARITY Perpendicularity assumes a combination of two straight portions, a straight portion and a flat portion, or two flat portions which must be perpendicular to each other. Perpendicularity indicates, with one of the two portions as a reference, the degree of deviation of the other straight or flat portion from the geometrical straight line or plane.

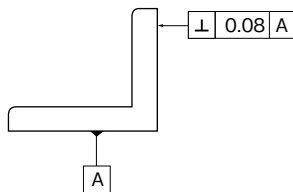
Perpendicularity of a flat portion with respect to the reference straight line (with the axis of a cylinder as a reference)



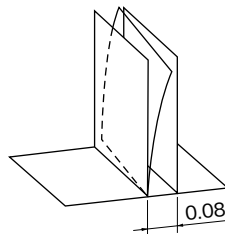
Space between two parallel planes with an interval of 0.08mm, perpendicular to the reference straight line



Perpendicularity of a flat portion with respect to the reference plane

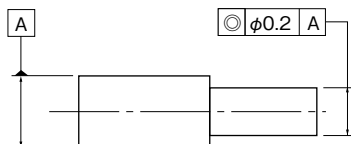


Space between two parallel planes with an interval of 0.08mm, perpendicular to the reference plane

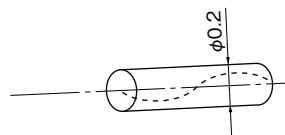


CONCENTRICITY Concentricity indicates the degree of deviation from the axis which must be on the same straight line as the reference axis.

Concentricity of a cylindrical portion



Space inside a cylinder with a diameter of 0.2mm, concentric with the reference axis



Hardness Conversion Table

Rockwell C scale hardness HRC (load150kg)	Vickers Hardness HV	Brinell hardness HB		Rockwell hardness		Shore hardness HS
		standard sphere	tungsten sphere	HRA A scale load 60 kg Barle pressure point	HRB B scale load 100 kg 1/16-inch-diameter sphere	
68	940	—	—	85.6	—	97
67	900	—	—	85.0	—	95
66	865	—	—	84.5	—	92
65	832	—	739	83.9	—	91
64	800	—	722	83.4	—	88
63	772	—	705	82.8	—	87
62	746	—	688	82.3	—	85
61	720	—	670	81.8	—	83
60	697	—	654	81.2	—	81
59	674	—	634	80.7	—	80
58	653	—	615	80.1	—	78
57	633	—	595	79.6	—	76
56	613	—	577	79.0	—	75
55	595	—	560	78.5	—	74
54	577	—	543	78.0	—	72
53	560	—	525	77.4	—	71
52	544	500	512	76.8	—	69
51	528	487	496	76.3	—	68
50	513	475	481	75.9	—	67
49	498	464	469	75.2	—	66
48	484	451	455	74.7	—	64
47	471	442	443	74.1	—	63
46	458	432	432	73.6	—	62
45	446	421	421	73.1	—	60
44	434	409	409	72.5	—	58
43	423	400	400	72.0	—	57
42	412	390	390	71.5	—	56
41	402	381	381	70.9	—	55
40	392	371	371	70.4	—	54
39	382	362	362	69.9	—	52
38	372	353	353	69.4	—	51
37	363	344	344	68.9	—	50
36	354	336	336	68.4	(109.0)	49
35	345	327	327	67.9	(108.5)	48
34	336	319	319	67.4	(108.0)	47
33	327	311	311	66.8	(107.5)	46
32	318	301	301	66.3	(107.0)	44
31	310	294	294	65.8	(106.0)	43
30	302	286	286	65.3	(105.5)	42
29	294	279	279	64.7	(104.5)	41
28	286	271	271	64.3	(104.0)	41
27	279	264	264	63.8	(103.0)	40
26	272	258	258	63.3	(102.5)	38
25	266	253	253	62.8	(101.5)	38
24	260	247	247	62.4	(101.0)	37
23	254	243	243	62.0	100.0	36
22	248	237	237	61.5	99.0	35
21	243	231	231	61.0	98.5	35
20	238	226	226	60.5	97.8	34
(18)	230	219	219	—	96.7	33
(16)	222	212	212	—	95.5	32
(14)	213	203	203	—	93.9	31
(12)	204	194	194	—	92.3	29
(10)	196	187	187	—	90.7	28
(8)	188	179	179	—	89.5	27
(6)	180	171	171	—	87.1	26
(4)	173	165	165	—	85.5	25
(2)	166	158	158	—	83.5	24
(0)	160	152	152	—	81.7	24

Shaft Dimensional Tolerance

diameter category mm greater than or less than	a13		c12		d6		e6		f5		f6		g5		g6		h5		h6		h7		h8		h9		h10	
	upper	lower	upper	lower	upper	lower	upper	lower	upper	lower	upper	lower	upper	lower	upper	lower	upper	lower	upper	lower	upper	lower	upper	lower	upper	lower	upper	lower
— 3	-270	-410	-60	-160	-20	-26	-14	-20	-6	-10	-6	-12	-2	-6	-2	-8	0	-4	0	-6	0	-10	0	-14	0	-25	0	-40
3 6	-270	-450	-70	-190	-30	-38	-20	-28	-10	-15	-10	-18	-4	-9	-4	-12	0	-5	0	-8	0	-12	0	-18	0	-30	0	-48
6 10	-280	-500	-80	-230	-40	-49	-25	-34	-13	-19	-13	-22	-5	-11	-5	-14	0	-6	0	-9	0	-15	0	-22	0	-36	0	-58
10 14	-290	-560	-95	-275	-50	-61	-32	-43	-16	-24	-16	-27	-6	-14	-6	-17	0	-8	0	-11	0	-18	0	-27	0	-43	0	-70
14 18	-300	-630	-110	-320	-65	-78	-40	-53	-20	-29	-20	-33	-7	-16	-7	-20	0	-9	0	-13	0	-21	0	-33	0	-52	0	-84
18 24	-310	-700	-120	-370	-80	-96	-50	-66	-25	-36	-25	-41	-9	-20	-9	-25	0	-11	0	-16	0	-25	0	-39	0	-62	0	-100
24 30	-320	-770	-130	-440	-100	-119	-60	-79	-30	-43	-30	-49	-10	-23	-10	-29	0	-13	0	-19	0	-30	0	-46	0	-74	0	-120
30 40	-330	-840	-140	-510	-110	-131	-70	-91	-40	-54	-40	-58	-11	-26	-11	-33	0	-15	0	-22	0	-35	0	-54	0	-87	0	-140
40 50	-340	-910	-150	-580	-120	-145	-80	-103	-50	-66	-50	-76	-12	-30	-12	-38	0	-17	0	-25	0	-40	0	-63	0	-100	0	-160
50 65	-350	-980	-160	-650	-130	-161	-90	-116	-60	-78	-60	-103	-13	-34	-13	-43	0	-19	0	-28	0	-46	0	-74	0	-120	0	-180
65 80	-360	-1050	-170	-720	-140	-179	-100	-131	-70	-91	-70	-116	-14	-38	-14	-49	0	-21	0	-31	0	-50	0	-78	0	-140	0	-210
80 100	-380	-1140	-180	-790	-150	-199	-110	-147	-80	-103	-80	-131	-15	-43	-15	-54	0	-23	0	-34	0	-54	0	-87	0	-140	0	-230
100 120	-410	-1230	-190	-860	-160	-220	-120	-166	-90	-116	-90	-147	-16	-48	-16	-60	0	-25	0	-38	0	-60	0	-96	0	-160	0	-250
120 140	-460	-1320	-200	-930	-170	-241	-130	-183	-100	-131	-100	-166	-17	-53	-17	-67	0	-27	0	-42	0	-67	0	-104	0	-180	0	-280
140 160	-520	-1410	-210	-1000	-180	-262	-140	-200	-110	-147	-110	-183	-18	-58	-18	-73	0	-29	0	-46	0	-74	0	-112	0	-200	0	-300
160 180	-580	-1500	-220	-1070	-190	-283	-150	-217	-120	-166	-120	-200	-19	-63	-19	-78	0	-31	0	-50	0	-82	0	-120	0	-220	0	-320
180 200	-660	-1590	-230	-1140	-200	-304	-160	-234	-130	-183	-130	-217	-20	-68	-20	-83	0	-33	0	-54	0	-90	0	-130	0	-240	0	-340
200 225	-740	-1680	-240	-1210	-210	-325	-170	-251	-140	-200	-140	-234	-21	-73	-21	-88	0	-35	0	-58	0	-98	0	-140	0	-260	0	-360
225 250	-820	-1770	-250	-1280	-220	-346	-180	-268	-150	-217	-150	-251	-22	-78	-22	-93	0	-37	0	-62	0	-106	0	-150	0	-280	0	-380
250 280	-920	-1860	-260	-1350	-230	-367	-190	-285	-160	-234	-160	-268	-23	-83	-23	-98	0	-39	0	-66	0	-114	0	-160	0	-300	0	-400
280 315	-1050	-1950	-270	-1420	-240	-388	-200	-302	-170	-251	-170	-285	-24	-88	-24	-103	0	-41	0	-70	0	-122	0	-170	0	-320	0	-420
315 355	-1200	-2040	-280	-1490	-250	-409	-210	-319	-180	-268	-180	-302	-25	-93	-25	-108	0	-43	0	-74	0	-130	0	-180	0	-340	0	-440
355 400	-1350	-2130	-290	-1560	-260	-430	-220	-336	-190	-285	-190	-319	-26	-98	-26	-113	0	-45	0	-78	0	-138	0	-190	0	-360	0	-460
400 450	-1500	-2220	-300	-1630	-270	-451	-230	-353	-200	-302	-200	-336	-27	-103	-27	-118	0	-47	0	-82	0	-146	0	-200	0	-380	0	-480
450 500	-1650	-2310	-310	-1700	-280	-472	-240	-370	-210	-319	-210	-353	-28	-108	-28	-123	0	-49	0	-86	0	-154	0	-210	0	-400	0	-500

Housing Bore Dimensional Tolerance

diameter category mm greater than or less than	E10		E11		F6		F7		F8		G6		G7		H5		H6		H7		H8		H9		H10	
	upper	lower	upper	lower	upper	lower	upper	lower	upper	lower	upper	lower	upper	lower	upper	lower	upper	lower	upper	lower	upper	lower	upper	lower	upper	lower
— 3	+54	+14	+74	+14	+12	+6	+16	+6	+20	+6	+8	+2	+12	+2	+4	0	+6	0	+10	0	+14	0	+25	0	+40	0
3 6	+68	+20	+95	+20	+18	+10	+22	+10	+28	+10	+12	+4	+16	+4	+5	0	+8	0	+12	0	+18	0	+30	0	+48	0
6 10	+83	+25	+115	+25	+22	+13	+28	+13	+35	+13	+14	+5	+20	+5	+6	0	+9	0	+15	0	+22	0	+36	0	+58	0
10 14	+102	+32	+142	+32	+27	+16	+34	+16	+43	+16	+17	+6	+24	+6	+8	0	+11	0	+18	0	+27	0	+43	0	+70	0
14 18	+124	+40	+170	+40	+33	+20	+41	+20	+53	+20	+20	+7	+28	+7	+9	0	+13	0	+21	0	+33	0	+52	0	+84	0
18 24	+150	+50	+210	+50	+41	+25	+50	+25	+64	+25	+25	+9	+34	+9	+11	0	+16	0	+25	0	+39	0	+62	0	+100	0
24 30	+180	+60	+250	+60	+49	+30	+60	+30	+76	+30	+29	+10	+40	+10	+13	0	+19	0	+30	0	+46	0	+74	0	+120	0
30 40	+212	+72	+292	+72	+58	+36	+71	+36	+90	+36	+34	+12	+47	+12	+15	0	+22	0	+35	0	+54	0	+87	0	+140	0
40 50	+245	+85	+335	+85	+68	+43	+83	+43	+106	+43	+39	+14	+54	+14	+18	0	+25	0	+40	0	+63	0	+100	0	+160	0
50 65	+285	+100	+390	+100	+79	+50	+96	+50	+122	+50	+44	+15	+61	+15	+20	0	+29	0	+46	0	+72	0	+115	0	+185	0
65 80	+320	+110	+430	+110	+88	+56	+108	+56	+137	+56	+49	+17	+69	+17	+23	0	+32	0	+52	0	+81	0	+130	0	+210	0
80 100	+355	+125	+485	+125	+98	+62	+119	+62	+151	+62	+54	+18	+75	+18	+25	0	+36	0	+57	0	+89	0	+140	0	+230	0
100 120	+385	+135	+535	+135	+108	+68	+131	+68	+165	+68	+60	+20	+83	+20	+27	0	+40	0	+63	0	+97	0	+155	0	+250	0

unit/μm

diameter category mm greater than or less than	js5		js6		j5		j6		k5		k6		m5		m6		n5		n6		p5		p6		r6		r7		
	upper	lower	upper	lower	upper	lower	upper	lower	upper	lower	upper	lower	upper	lower	upper	lower	upper	lower	upper	lower	upper	lower	upper	lower	upper	lower	upper	lower	
— 3	±2	±3	±2	+4	-2	+4	0	+6	0	+6	+2	+8	+2	+8	+4	+10	+4	+10	+6	+12	+6	+12	+6	+16	+10	+20	+10	—	3
3 6	±2.5	±4	+3	-2	+6	-2	+6	+1	+9	+1	+9	+4	+12	+4	+13	+8	+16	+8	+17	+12	+20	+12	+23	+15	+27	+15	3	6	
6 10	±3	±4.5	+4	-2	+7	-2	+7	+1	+10	+1	+12	+6	+15	+6	+16	+10	+19	+10	+21	+15	+24	+15	+28	+19	+34	+19	6	10	
10 14	±4	±5.5	+5	-3	+8	-3	+9	+1	+12	+1	+15	+7	+18	+7	+20	+12	+23	+12	+26	+18	+29	+18	+34	+23	+41	+23	10	14	
14 18	±4.5	±6.5	+5	-4	+9	-4	+11	+2	+15	+2	+17	+8	+21	+8	+24	+15	+28	+15	+31	+22	+36	+22	+41	+28	+49	+28	14	18	
18 24	±5.5	±8	+6	-5	+11	-5	+13	+2	+18	+2	+20	+9	+25	+9	+28	+17	+33	+17	+37	+26	+42	+26	+50	+34	+59	+34	18	24	
24 30	±6.5	±9.5	+6	-7	+12	-7	+15	+2	+21	+2	+24	+11	+30	+11	+33	+20	+39	+20	+45	+32	+51	+32	+60	+41	+71	+41	24	30	
30 40	±7.5	±11	+6	-9	+13	-9	+18	+3	+25	+3	+28	+																	

INDEX

A

AK Slide Bush: Compact Block Type C- 132

AK-G Slide Bush: Compact Block Type C- 132

AK-GW Slide Bush: Double-Wide Compact Block Type C- 134

AK-R Slide Rotary Bush: Compact Block Type E- 18

AK-RW Slide Rotary Bush: Double-Wide Compact Block Type E- 19

AK-W Slide Bush: Double-Wide Compact Block Type C- 134

AKS Slide Bush: Compact Block Type, Anticorrosion C- 132

AKS-G Slide Bush: Compact Block Type, Anticorrosion C- 132

AKS-GW Slide Bush: Double-Wide Compact Block Type, Anticorrosion C- 134

AKS-W Slide Bush: Double-Wide Compact Block Type, Anticorrosion C- 134

B

BG Actuator: Integrated Guide and Ball Screw System H- 1

BT Slide Way: Special Mounting Screw G- 9

C

CD Slide Bush: Clearance Adjustable Type C- 152

CDS Slide Bush: Clearance Adjustable Type, Anticorrosion C- 152

CE Slide Bush: Non-Clearance Adjustable Type C- 150

CES Slide Bush: Non-Clearance Adjustable Type, Anticorrosion C- 150

CR Gonio Way: Curved Roller Cage G- 64

F

F Slide Guide: Special Cap A- 15

FLM Slide Bush: Felt Seal C- 12

FP Ball Spline: Lock Plate B- 12

G

GL-E Slide Guide: High Rigidity Flange Type (Short Configuration) A- 72

GL-F Slide Guide: High Rigidity Non-Flange Type (Short Configuration) A- 66

GL-HTE Slide Guide: High Rigidity Flange Type (Long Configuration) A- 76

GL-HTF Slide Guide: High Rigidity Non-Flange Type (Long Configuration) A- 70

GL-TE Slide Guide: High Rigidity Flange Type (Standard Configuration) A- 74

GL-TF Slide Guide: High Rigidity Non-Flange Type (Standard Configuration) A- 68

GM Slide Bush: Light Weight Single Type C- 112

GM-W Slide Bush: Light Weight Double-Wide Type C- 113

GMF-W Slide Bush: Light Weight Round Flange Double-Wide Type C- 114

GMF-W-E Slide Bush: Round Flange Double-Wide Pilot End Type C- 120

GMK-W Slide Bush: Light Weight Square Flange Double-Wide Type C- 116

GMK-W-E Slide Bush: Square Flange Double-Wide Pilot End Type C- 122

GMT-W Slide Bush: Light Weight Two Side Cut Double-Wide Flange Type C- 118

GMT-W-E Slide Bush: Two Side Cut Double-Wide Flange Pilot End Type C- 124

GW Slide Bush (Inch Standard): Light Weight Single Type C- 126

K

KB Slide Bush (Euro Standard): Standard Type C- 68

KB-AJ Slide Bush (Euro Standard): Clearance Adjustable Type C- 70

KB-G Slide Bush (Euro Standard): Standard Type C- 68

KB-G-AJ Slide Bush (Euro Standard): Clearance Adjustable Type C- 70

KB-G-OP Slide Bush (Euro Standard): Open Type C- 72

KB-GW Slide Bush (Euro Standard): Double-Wide Type C- 74

KB-OP Slide Bush (Euro Standard): Open Type C- 72

KB-W Slide Bush (Euro Standard): Double-Wide Type C- 74

KBF Slide Bush (Euro Standard): Round Flange Type C- 76

KBF-G Slide Bush (Euro Standard): Round Flange Type C- 76

KBF-GW Slide Bush (Euro Standard): Round Flange Double-Wide Type C- 82

KBF-W Slide Bush (Euro Standard): Round Flange Double-Wide Type C- 82

KBFC Slide Bush (Euro Standard): Center Mount Round Flange Type C- 86

KBFC-G Slide Bush (Euro Standard): Center Mount Round Flange Type C- 86

KBK Slide Bush (Euro Standard): Square Flange Type C- 78

KBK-G Slide Bush (Euro Standard): Square Flange Type C- 78

KBK-GW Slide Bush (Euro Standard): Square Flange Double-Wide Type C- 84

KBK-W Slide Bush (Euro Standard): Square Flange Double-Wide Type C- 84

KBKC Slide Bush (Euro Standard): Center Mount Square Flange Type C- 88

KBKC-G Slide Bush (Euro Standard): Center Mount Square Flange Type C- 88

KBS Slide Bush (Euro Standard): Standard Type, Anticorrosion C- 68

KBS-AJ Slide Bush (Euro Standard): Clearance Adjustable Type, Anticorrosion C- 70

KBS-G Slide Bush (Euro Standard): Standard Type, Anticorrosion C- 68

KBS-G-AJ Slide Bush (Euro Standard): Clearance Adjustable Type, Anticorrosion C- 70

KBS-G-OP Slide Bush (Euro Standard): Open Type, Anticorrosion C- 72

KBS-GW Slide Bush (Euro Standard): Double-Wide Type, Anticorrosion C- 74

KBS-OP Slide Bush (Euro Standard): Open Type, Anticorrosion C- 72

KBS-W Slide Bush (Euro Standard): Double-Wide Type, Anticorrosion C- 74

KBSF Slide Bush (Euro Standard): Round Flange Type, Anticorrosion C- 76

KBSF-G Slide Bush (Euro Standard): Round Flange Type, Anticorrosion C- 76

KBSF-GW Slide Bush (Euro Standard): Round Flange Double-Wide Type, Anticorrosion C- 82

KBSF-W Slide Bush (Euro Standard): Round Flange Double-Wide Type, Anticorrosion C- 82

KBSFC Slide Bush (Euro Standard): Center Mount Round Flange Type, Anticorrosion C- 86

KBSFC-G Slide Bush (Euro Standard): Center Mount Round Flange Type, Anticorrosion C- 86

KBSK Slide Bush (Euro Standard): Square Flange Type, Anticorrosion C- 78

KBSK-G Slide Bush (Euro Standard): Square Flange Type, Anticorrosion C- 78

KBSK-GW Slide Bush (Euro Standard): Square Flange Double-Wide Type, Anticorrosion C- 84

KBSK-W Slide Bush (Euro Standard): Square Flange Double-Wide Type, Anticorrosion C- 84

KBSKC Slide Bush (Euro Standard): Center Mount Square Flange Type, Anticorrosion C- 88

KBSKC-G Slide Bush (Euro Standard): Center Mount Square Flange Type, Anticorrosion C- 88

KBST Slide Bush (Euro Standard): Two Side Cut Flange Type, Anticorrosion C- 80

KBST-G Slide Bush (Euro Standard): Two Side Cut Flange Type, Anticorrosion C- 80

KBT Slide Bush (Euro Standard): Two Side Cut Flange Type C- 80

KBT-G Slide Bush (Euro Standard): Two Side Cut Flange Type C- 80
KGF-Grease Anti-fretting/Anti-corrosion Eng- 41
KGL-Grease Low Dust-generation Eng- 39
KGU-Grease Low Dust-generation Eng- 39
K-Grease Low Dust-generation Eng- 41

L

LP Ball Spline: Lock Plate B- 12
LWA Shaft (Inch Standard): Low Shaft Support Rail F- 23

N

NV Slide Way: STUDROLLER System G- 10
NVT Slide Table: STUDROLLER System G- 28

R

R Slide Way: Roller Cage G- 5
RA Slide Way: Aluminum Roller Cage G- 5
RAS Slide Way: Aluminum Roller Cage, Anticorrosion G- 5
RB Slide Bush: Resin Block Type C-148
RBW Slide Bush (Inch Standard): Resin Block Type C-160
RK Slide Rotary Bush E- 23
RS Slide Way: Roller Cage, Anticorrosion G- 5
RV Gonio Way G- 62
RVF Gonio Way: Flat-installation-surface Type G- 60

SA

SA Shaft: Shaft Support Rail F- 18

SE

SEB-A Slide Guide: Miniature Type A- 30
SEB-A-N Slide Guide: Miniature Type with Tapped Hole Rail A- 30
SEB-AY Slide Guide: Miniature Long Type A- 30
SEB-AY-N Slide Guide: Miniature Long Type with Tapped Hole Rail A- 30
SEB-WA Slide Guide: Miniature Wide Type A- 32
SEB-WA-N Slide Guide: Miniature Wide Type with Tapped Hole Rail A- 32
SEB-WAY Slide Guide: Miniature Wide and Long Type A- 32
SEB-WAY-N Slide Guide: Miniature Wide and Long Type with Tapped Hole Rail A- 32
SEB-WD Slide Guide: Miniature Wide Type A- 32
SEB-WD-N Slide Guide: Miniature Wide Type with Tapped Hole Rail A- 32
SEBS-A Slide Guide: Miniature Type, Anticorrosion A- 30
SEBS-A-N Slide Guide: Miniature Type with Tapped Hole Rail, Anticorrosion A- 30
SEBS-AY Slide Guide: Miniature Long Type, Anticorrosion A- 30
SEBS-AY-N Slide Guide: Miniature Long Type with Tapped Hole Rail, Anticorrosion A- 30
SEBS-B Slide Guide (Retained Ball): Miniature Type A- 26
SEBS-B-N Slide Guide (Retained Ball): Miniature Type with Tapped Hole Rail A- 26
SEBS-BM Slide Guide (Retained Ball): Miniature All Stainless Type A- 26
SEBS-BM-N Slide Guide (Retained Ball): Miniature All Stainless Type with Tapped Hole Rail A- 26

SEBS-BY Slide Guide (Retained Ball): Miniature Long Type A- 26
SEBS-BY-N Slide Guide (Retained Ball): Miniature Long Type with Tapped Hole Rail A- 26
SEBS-BYM Slide Guide (Retained Ball): Miniature All Stainless Long Type A- 26
SEBS-BYM-N Slide Guide (Retained Ball): Miniature All Stainless Long Type with Tapped Hole Rail A- 26
SEBS-WA Slide Guide: Miniature Wide Type, Anticorrosion A- 32
SEBS-WA-N Slide Guide: Miniature Wide Type with Tapped Hole Rail, Anticorrosion A- 32
SEBS-WAY Slide Guide: Miniature Wide and Long Type, Anticorrosion A- 32
SEBS-WAY-N Slide Guide: Miniature Wide and Long Type with Tapped Hole Rail, Anticorrosion A- 32
SEBS-WB Slide Guide (Retained Ball): Miniature Wide Type A- 28
SEBS-WB-N Slide Guide (Retained Ball): Miniature Wide Type with Tapped Hole Rail A- 28
SEBS-WBY Slide Guide (Retained Ball): Miniature Wide and Long Type A- 28
SEBS-WBY-N Slide Guide (Retained Ball): Miniature Wide and Long Type with Tapped Hole Rail, Anticorrosion A- 28
SEBS-WD Slide Guide: Miniature Wide Type, Anticorrosion A- 32
SEBS-WD-N Slide Guide: Miniature Wide Type with Tapped Hole Rail, Anticorrosion A- 32
SER-A Slide Guide (Roller Element): Miniature Type A- 38
SER-A-N Slide Guide (Roller Element): Miniature Type with Tapped Hole Rail A- 38
SER-WA Slide Guide (Roller Element): Miniature Wide Type A- 40
SER-WA-N Slide Guide (Roller Element): Miniature Wide Type with Tapped Hole Rail A- 40
SERS-A Slide Guide (Roller Element): Miniature Type, Anticorrosion A- 38
SERS-A-N Slide Guide (Roller Element): Miniature Type with Tapped Hole Rail, Anticorrosion A- 38
SERS-WA Slide Guide (Roller Element): Miniature Wide Type, Anticorrosion A- 40
SERS-WA-N Slide Guide (Roller Element): Miniature Wide Type with Tapped Hole Rail, Anticorrosion A- 40

SG

SGL-E Slide Guide: High Rigidity Flange Type (Short Configuration) A- 56
SGL-F Slide Guide: High Rigidity Non-Flange Type (Short Configuration) A- 48
SGL-HTE Slide Guide: High Rigidity Flange Type (Standard Configuration) A- 60
SGL-HTEX Slide Guide: High Rigidity Flange Type (Standard Configuration) A- 64
SGL-HTF Slide Guide: High Rigidity Non-Flange Type (Standard Configuration) A- 52
SGL-HYE Slide Guide: High Rigidity Flange Type (Long Configuration) A- 62
SGL-HYF Slide Guide: High Rigidity Non-Flange Type (Long Configuration) A- 54
SGL-TE Slide Guide: High Rigidity Flange Type (Standard Configuration) A- 58
SGL-TF Slide Guide: High Rigidity Non-Flange Type (Standard Configuration) A- 50
SGLS-F Slide Guide: High Rigidity Non-Flange Type (Short Configuration),Anticorrosion A- 48
SGLS-TF Slide Guide: High Rigidity Non-Flange Type (Standard Configuration),Anticorrosion A- 50
SGW-TE Slide Guide: High Rigidity Wide Flange Type A- 84
SGW-TF Slide Guide: High Rigidity Wide Non-Flange Type A- 82

SH

SH Shaft: Shaft Supporter F- 16
SH-A Shaft: Aluminum Shaft Supporter F- 15
SHF Shaft: Shaft Supporter Flange Type F- 17
SHF-FC Shaft: Shaft Supporter Flange Type Cast Iron F- 17

SM

SM Slide Bush: Standard Type C- 14

SM-AJ Slide Bush: Clearance Adjustable Type C- 16

SM-G Slide Bush: Standard Type C- 14

SM-G-L Slide Bush: Long Type C- 20

SM-G-AJ Slide Bush: Clearance Adjustable Type C- 16

SM-G-OP Slide Bush: Open Type C- 18

SM-GW Slide Bush: Double-Wide Type C- 22

SM-OP Slide Bush: Open Type C- 18

SM-W Slide Bush: Double-Wide Type C- 22

SMA Slide Bush: Block Type C-128

SMA-G Slide Bush: Block Type C-128

SMA-GW Slide Bush: Double-Wide Block Type C-130

SMA-R Slide Rotary Bush: Block Type E- 16

SMA-RW Slide Rotary Bush: Double-Wide Block Type E- 17

SMA-W Slide Bush: Double-Wide Block Type C-130

SMB Slide Bush: Block Type C-136

SMB-G Slide Bush: Block Type C-136

SMD Slide Bush: Clearance Adjustable Open Block Type C-146

SMD-G Slide Bush: Clearance Adjustable Open Block Type C-146

SME Slide Bush: Open Block Type C-142

SME-G Slide Bush: Open Block Type C-142

SME-GW Slide Bush: Double-Wide Open Block Type C-144

SME-W Slide Bush: Double-Wide Open Block Type C-144

SMF Slide Bush: Round Flange Type C- 24

SMF-E Slide Bush: Round Flange Pilot End Type C- 30

SMF-G Slide Bush: Round Flange Type C- 24

SMF-G-E Slide Bush: Round Flange Pilot End Type C- 30

SMF-GW Slide Bush: Round Flange Double-Wide Type C- 38

SMF-GW-E Slide Bush: Round Flange Double-Wide Pilot End Type C- 50

SMF-W Slide Bush: Round Flange Double-Wide Type C- 38

SMF-W-E Slide Bush: Round Flange Double-Wide Pilot End Type C- 50

SMFC Slide Bush: Center Mount Round Flange Type C- 44

SMFC-G Slide Bush: Center Mount Round Flange Type C- 44

SMJ Slide Bush: Clearance Adjustable Block Type C-140

SMJ-G Slide Bush: Clearance Adjustable Block Type C-140

SMK Slide Bush: Square Flange Type C- 26

SMK-E Slide Bush: Square Flange Pilot End Type C- 32

SMK-G Slide Bush: Square Flange Type C- 26

SMK-G-E Slide Bush: Square Flange Pilot End Type C- 32

SMK-G-L Slide Bush: Square Flange Long Type C- 36

SMK-GW Slide Bush: Square Flange Double-Wide Type C- 40

SMK-GW-E Slide Bush: Square Flange Double-Wide Pilot End Type C- 52

SMK-W Slide Bush: Square Flange Double-Wide Type C- 40

SMK-W-E Slide Bush: Square Flange Double-Wide Pilot End Type C- 52

SMKC Slide Bush: Center Mount Square Flange Type C- 46

SMKC-G Slide Bush: Center Mount Square Flange Type C- 46

SMP Slide Bush: Pillow Block Type C-138

SMP-G Slide Bush: Pillow Block Type C-138

SMP-R Slide Rotary Bush: Pillow Block Type E- 20

SMS Slide Bush: Standard Type, Anticorrosion C- 14

SMS-AJ Slide Bush: Clearance Adjustable Type, Anticorrosion C- 16

SMS-G Slide Bush: Standard Type, Anticorrosion C- 14

SMS-G-AJ Slide Bush: Clearance Adjustable Type, Anticorrosion C- 16

SMS-G-OP Slide Bush: Open Type, Anticorrosion C- 18

SMS-GW Slide Bush: Double-Wide Type, Anticorrosion C- 22

SMS-OP Slide Bush: Open Type, Anticorrosion C- 18

SMS-W Slide Bush: Double-Wide Type, Anticorrosion C- 22

SMSA Slide Bush: Block Type, Anticorrosion C-128

SMSA-G Slide Bush: Block Type, Anticorrosion C-128

SMSA-GW Slide Bush: Double-Wide Block Type, Anticorrosion C-130

SMSA-W Slide Bush: Double-Wide Block Type, Anticorrosion C-130

SMSB Slide Bush: Block Type, Anticorrosion C-136

SMSB-G Slide Bush: Block Type, Anticorrosion C-136

SMSD Slide Bush: Clearance Adjustable Open Block Type, Anticorrosion C-146

SMSD-G Slide Bush: Clearance Adjustable Open Block Type, Anticorrosion C-146

SMSE Slide Bush: Open Block Type, Anticorrosion C-142

SMSE-G Slide Bush: Open Block Type, Anticorrosion C-142

SMSE-GW Slide Bush: Double-Wide Open Block Type, Anticorrosion C-144

SMSE-W Slide Bush: Double-Wide Open Block Type, Anticorrosion C-144

SMSF Slide Bush: Round Flange Type, Anticorrosion C- 24

SMSF-E Slide Bush: Round Flange Pilot End Type, Anticorrosion C- 30

SMSF-G Slide Bush: Round Flange Type, Anticorrosion C- 24

SMSF-G-E Slide Bush: Round Flange Pilot End Type, Anticorrosion C- 30

SMSF-GW Slide Bush: Round Flange Double-Wide Type, Anticorrosion C- 38

SMSF-GW-E Slide Bush: Round Flange Double-Wide Pilot End Type, Anticorrosion C- 50

SMSF-W Slide Bush: Round Flange Double-Wide Type, Anticorrosion C- 38

SMSF-W-E Slide Bush: Round Flange Double-Wide Pilot End Type, Anticorrosion C- 50

SMSFC Slide Bush: Center Mount Round Flange Type, Anticorrosion C- 44

SMSFC-G Slide Bush: Center Mount Round Flange Type, Anticorrosion C- 44

SMSJ Slide Bush: Clearance Adjustable Block Type, Anticorrosion C-140

SMSJ-G Slide Bush: Clearance Adjustable Block Type, Anticorrosion C-140

SMSK Slide Bush: Square Flange Type, Anticorrosion C- 26

SMSK-E Slide Bush: Square Flange Pilot End Type, Anticorrosion C- 32

SMSK-G	Slide Bush: Square Flange Type, Anticorrosion	C- 26
SMSK-G-E	Slide Bush: Square Flange Pilot End Type, Anticorrosion	C- 32
SMSK-GW	Slide Bush: Square Flange Double-Wide Type, Anticorrosion	C- 40
SMSK-GW-E	Slide Bush: Square Flange Double-Wide Pilot End Type, Anticorrosion	C- 52
SMSK-W	Slide Bush: Square Flange Double-Wide Type, Anticorrosion	C- 40
SMSK-W-E	Slide Bush: Square Flange Double-Wide Pilot End Type, Anticorrosion	C- 52
SMSKC	Slide Bush: Center Mount Square Flange Type, Anticorrosion	C- 46
SMSKC-G	Slide Bush: Center Mount Square Flange Type, Anticorrosion	C- 46
SMST	Slide Bush: Two Side Cut Flange Type, Anticorrosion	C- 28
SMST-E	Slide Bush: Two Side Cut Pilot End Flange Type, Anticorrosion	C- 34
SMST-G	Slide Bush: Two Side Cut Flange Type, Anticorrosion	C- 28
SMST-G-E	Slide Bush: Two Side Cut Pilot End Flange Type, Anticorrosion	C- 34
SMST-GW	Slide Bush: Two Side Cut Double-Wide Flange Type, Anticorrosion	C- 42
SMST-GW-E	Slide Bush: Two Side Cut Double-Wide Flange Pilot End Type, Anticorrosion	C- 54
SMST-W	Slide Bush: Two Side Cut Double-Wide Flange Type, Anticorrosion	C- 42
SMST-W-E	Slide Bush: Two Side Cut Double-Wide Flange Pilot End Type, Anticorrosion	C- 54
SMSTC	Slide Bush: Two Side Cut Center Flange Type, Anticorrosion	C- 48
SMSTC-G	Slide Bush: Two Side Cut Center Flange Type, Anticorrosion	C- 48
SMT	Slide Bush: Two Side Cut Flange Type	C- 28
SMT-E	Slide Bush: Two Side Cut Pilot End Flange Type	C- 34
SMT-G	Slide Bush: Two Side Cut Flange Type	C- 28
SMT-G-E	Slide Bush: Two Side Cut Pilot End Flange Type	C- 34
SMT-GW	Slide Bush: Two Side Cut Double-Wide Flange Type	C- 42
SMT-GW-E	Slide Bush: Two Side Cut Double-Wide Flange Pilot End Type	C- 54
SMT-W	Slide Bush: Two Side Cut Double-Wide Flange Type	C- 42
SMT-W-E	Slide Bush: Two Side Cut Double-Wide Flange Pilot End Type	C- 54
SMTC	Slide Bush: Two Side Cut Center Flange Type	C- 48
SMTC-G	Slide Bush: Two Side Cut Center Flange Type	C- 48

SN

SN	Shaft: NB Shaft	F- 6
SNB	Shaft: NB Center-lined Tapped Shaft	F- 9
SNS	Shaft: NB Shaft, Anticorrosion	F- 7
SNSB	Shaft: NB Center-lined Tapped Shaft, Anticorrosion	F- 9
SNT	Shaft: NB Pipe Shaft	F- 8
SNW	Shaft: Inch Size Shaft	F- 10
SNWS	Shaft: Inch Size Shaft, Anticorrosion	F- 11
SNW-PD	Shaft: Inch Size Pre-Drilled Shaft	F- 12
SNWS-PD	Shaft: Inch Size Pre-Drilled Shaft, Anticorrosion	F- 13

SP

SPLFS	Stroke Ball Spline	B- 38
SPR	Rotary Ball Spline	B- 32

SR

SR	Stroke Bush: Standard	E- 4
SR-B	Stroke Bush: Double Retainer Type	E- 6
SR-BUU	Stroke Bush: Double Retainer Type with Seals	E- 7
SR-UU	Stroke Bush: Standard with Seals	E- 5
SRE	Slide Rotary Bush	E- 12
SREK	Slide Rotary Bush: Square Flange Type	E- 14

SS

SS	Slide Screw	I- 7
SSP	Ball Spline: Cylindrical Type	B- 14
SSP-C	Ball Spline: Commercial Spline Assembly with SSP nut	B- 25
SSP-S	Ball Spline: Standard Spline Assembly with SSP nut	B- 24
SSPB	Ball Spline: Block Type	B- 22
SSPB-C	Ball Spline: Commercial Spline Assembly with SSPB nut	B- 25
SSPB-S	Ball Spline: Standard Spline Assembly with SSPB nut	B- 24
SSPF	Ball Spline: Round Flange Type	B- 18
SSPFS	Ball Spline: Round Flange Type, Anticorrosion	B- 18
SSPF-C	Ball Spline: Commercial Spline Assembly with SSPF nut	B- 25
SSPF-S	Ball Spline: Standard Spline Assembly with SSPF nut	B- 24
SSPM	Ball Spline: Cylindrical Keyless Type	B- 16
SSPM-S	Ball Spline: Standard Spline Assembly with SSPM nut	B- 24
SSPS	Ball Spline: Cylindrical Type, Anticorrosion	B- 14
SSPT	Ball Spline: Two Side Cut Flange Type	B- 20
SSPT-S	Ball Spline: Standard Spline Assembly with SSPT nut	B- 24

SV

SV	Slide Way	G- 14
SVS	Slide Way: Anticorrosion	G- 14
SVT	Slide Table	G- 32
SVTS	Slide Table: Anticorrosion	G- 32
SVW	Slide Way: Center Rail Type	G- 22
SVWS	Slide Way: Center Rail Type, Anticorrosion	G- 22

SW

SW	Slide Bush (Inch Standard): Standard Type	C- 90
SW-AJ	Slide Bush (Inch Standard): Clearance Adjustable Type	C- 92
SW-G	Slide Bush (Inch Standard): Standard Type	C- 90
SW-G-AJ	Slide Bush (Inch Standard): Clearance Adjustable Type	C- 92
SW-G-OP	Slide Bush (Inch Standard): Open Type	C- 94
SW-GR	Slide Bush (Inch Standard): Self-Aligning Type	C- 90
SW-GR-AJ	Slide Bush (Inch Standard): Self-Aligning, Clearance Adjustable Type	C- 92
SW-GR-OP	Slide Bush (Inch Standard): Self-Aligning, Open Type	C- 94
SW-GW	Slide Bush (Inch Standard): Double-Wide Type	C- 96
SW-OP	Slide Bush (Inch Standard): Open Type	C- 94

SW-W Slide Bush (Inch Standard): Double-Wide Type C- 96

SWA Slide Bush (Inch Standard): Block Type C-154

SWA-G Slide Bush (Inch Standard): Block Type C-154

SWA-GR Slide Bush (Inch Standard): Self-Aligning, Block Type C-154

SWD Slide Bush (Inch Standard): Clearance Adjustable Open Block Type C-158

SWD-G Slide Bush (Inch Standard): Clearance Adjustable Open Block Type C-158

SWD-GR Slide Bush (Inch Standard): Self-Aligning Clearance Adjustable Open Block Type C-158

SWJ Slide Bush (Inch Standard): Clearance Adjustable Block Type C-156

SWJ-G Slide Bush (Inch Standard): Clearance Adjustable Block Type C-156

SWJ-GR Slide Bush (Inch Standard): Self-Aligning Clearance Adjustable Block Type C-156

SWF Slide Bush (Inch Standard): Round Flange Type C- 98

SWF-G Slide Bush (Inch Standard): Round Flange Type C- 98

SWF-GW Slide Bush (Inch Standard): Round Flange Double-Wide Type C-104

SWF-W Slide Bush (Inch Standard): Round Flange Double-Wide Type C-104

SWFC Slide Bush (Inch Standard): Center Mount Round Flange Type C-108

SWFC-G Slide Bush (Inch Standard): Center Mount Round Flange Type C-108

SWK Slide Bush (Inch Standard): Square Flange Type C-100

SWK-G Slide Bush (Inch Standard): Square Flange Type C-100

SWK-GW Slide Bush (Inch Standard): Square Flange Double-Wide Type C-106

SWK-W Slide Bush (Inch Standard): Square Flange Double-Wide Type C-106

SWKC Slide Bush (Inch Standard): Center Mount Square Flange Type C-110

SWKC-G Slide Bush (Inch Standard): Center Mount Square Flange Type C-110

SWS Slide Bush (Inch Standard): Standard Type, Anticorrosion C- 90

SWS-AJ Slide Bush (Inch Standard): Clearance Adjustable Type, Anticorrosion C- 92

SWS-G Slide Bush (Inch Standard): Standard Type, Anticorrosion C- 90

SWS-G-AJ Slide Bush (Inch Standard): Clearance Adjustable Type, Anticorrosion C- 92

SWS-G-OP Slide Bush (Inch Standard): Open Type, Anticorrosion C- 94

SWS-GW Slide Bush (Inch Standard): Double-Wide Type, Anticorrosion C- 96

SWS-OP Slide Bush (Inch Standard): Open Type, Anticorrosion C- 94

SWS-W Slide Bush (Inch Standard): Double-Wide Type, Anticorrosion C- 96

SWSA Slide Bush (Inch Standard): Block Type, Anticorrosion C-154

SWSA-G Slide Bush (Inch Standard): Block Type, Anticorrosion C-154

SWSD Slide Bush (Inch Standard): Clearance Adjustable Open Block Type, Anticorrosion C-158

SWSD-G Slide Bush (Inch Standard): Clearance Adjustable Open Block Type, Anticorrosion C-158

SWSF Slide Bush (Inch Standard): Round Flange Type, Anticorrosion C- 98

SWSF-G Slide Bush (Inch Standard): Round Flange Type, Anticorrosion C- 98

SWSF-GW Slide Bush (Inch Standard): Round Flange Double-Wide Type, Anticorrosion C-104

SWSF-W Slide Bush (Inch Standard): Round Flange Double-Wide Type, Anticorrosion C-104

SWSFC Slide Bush (Inch Standard): Center Mount Round Flange Type, Anticorrosion C-108

SWSFC-G Slide Bush (Inch Standard): Center Mount Round Flange Type, Anticorrosion C-108

SWSJ Slide Bush (Inch Standard): Clearance Adjustable Block Type, Anticorrosion C-156

SWSJ-G Slide Bush (Inch Standard): Clearance Adjustable Block Type, Anticorrosion C-156

SWSK Slide Bush (Inch Standard): Square Flange Type, Anticorrosion C-100

SWSK-G Slide Bush (Inch Standard): Square Flange Type, Anticorrosion C-100

SWSK-GW Slide Bush (Inch Standard): Square Flange Double-Wide Type, Anticorrosion C-106

SWSK-W Slide Bush (Inch Standard): Square Flange Double-Wide Type, Anticorrosion C-106

SWSKC Slide Bush (Inch Standard): Center Mount Square Flange Type, Anticorrosion C-110

SWSKC-G Slide Bush (Inch Standard): Center Mount Square Flange Type, Anticorrosion C-110

SWST Slide Bush (Inch Standard): Two Side Cut Flange Type, Anticorrosion C-102

SWST-G Slide Bush (Inch Standard): Two Side Cut Flange Type, Anticorrosion C-102

SWT Slide Bush (Inch Standard): Two Side Cut Flange Type C-102

SWT-G Slide Bush (Inch Standard): Two Side Cut Flange Type C-102

SY

SYBS Miniature Slide: Ultra Compact Type G- 50

SYT Slide Table: Compact Type G- 38

SYT-D Slide Table: Compact Type with Counterbored Rail G- 42

SYTS Slide Table: Compact Type, Anticorrosion G- 38

SYTS-D Slide Table: Compact Type with Counterbored Rail, Anticorrosion G- 42

TK

TK TOPBALL Slide Bush (Euro Standard): Standard Type D- 6

TK-OP TOPBALL Slide Bush (Euro Standard): Open Type D- 6

TKA Slide Bush using TOPBALL (Euro Standard): Block Type D- 10

TKA-W Slide Bush using TOPBALL (Euro Standard): Double-Wide Block Type D- 11

TKD Slide Bush using TOPBALL (Euro Standard): Clearance Adjustable Open Block Type D- 14

TKD-W Slide Bush using TOPBALL (Euro Standard): Clearance Adjustable Double-Wide Open Block Type D- 15

TKE Slide Bush using TOPBALL (Euro Standard): Open Block Type D- 12

TKE-W Slide Bush using TOPBALL (Euro Standard): Double-Wide Open Block Type D- 13

TR

TRF Slide Bush: Triple-Wide Round Flange Type C- 56

TRF-E Slide Bush: Triple-Wide Round Flange Pilot End Type C- 64

TRF-G Slide Bush: Triple-Wide Round Flange Type C- 56

TRF-G-E Slide Bush: Triple-Wide Round Flange Pilot End Type C- 64

TRFC Slide Bush: Triple-Wide Intermediate Position Round Flange Type C- 60

TRFC-G Slide Bush: Triple-Wide Intermediate Position Round Flange Type C- 60

TRK Slide Bush: Triple-Wide Square Flange Type C- 58

TRK-E Slide Bush: Triple-Wide Square Flange Pilot End Type C- 66

TRK-G Slide Bush: Triple-Wide Square Flange Type C- 58

TRK-G-E Slide Bush: Triple-Wide Square Flange Pilot End Type C- 66

TRKC Slide Bush: Triple-Wide Intermediate Position Square Flange Type C- 62

TRKC-G Slide Bush: Triple-Wide Intermediate Position Square Flange Type C- 62

TW

TW TOPBALL Slide Bush (Inch Standard): Standard Type D- 8

TW-OP TOPBALL Slide Bush (Inch Standard): Open Type D- 8

TWA Slide Bush using TOPBALL (Inch Standard): Block Type D- 16

TWA-W Slide Bush using TOPBALL (Inch Standard): Double-Wide Block Type . . . D- 17
TWD Slide Bush using TOPBALL (Inch Standard): Clearance Adjustable Open Block Type . . D- 20
TWD-W Slide Bush using TOPBALL (Inch Standard): Clearance Adjustable Double-Wide Open Block Type . . D- 21
TWJ Slide Bush using TOPBALL (Inch Standard): Clearance Adjustable Block Type . . D- 18
TWJ-W Slide Bush using TOPBALL (Inch Standard): Clearance Adjustable Double-Wide Block Type . . D- 19

W

WA Shaft (Inch Standard): Shaft Support Rail F- 22
WH-A Shaft (Inch Standard): Alminum Shaft Supporter F- 20



NIPPON BEARING CO., LTD.

2833 Chiya, Ojiya-city, Niigata-pref., 947-8503 JAPAN
Phone: 81-258-82-0011 FAX: 81-258-81-1135
<http://www.nb-linear.co.jp>

NB Corporation of America

930 Muirfield Drive, Hanover Park, IL 60133, U.S.A.
Phone: 1 (630) 295-8880 FAX: 1 (630) 295-8881
TOLL FREE: (800) 521-2045

Western Regional Office

2157 O'Toole Ave., Suite D, San Jose, CA 95131, U.S.A.
Phone: 1 (408) 435-1800 FAX: 1 (408) 435-1850
TOLL FREE: (888) 562-4175

Eastern Regional Office

41 Orchard Street, Ramsey, NJ 07446, U.S.A.
Phone: 1 (201) 236-3886 FAX: 1 (201) 236-5112
TOLL FREE: (800) 981-8190

<http://www.nbcorporation.com>
info@nbcorporation.com

NB Europe B.V.

Boekweitstraat 21, 2153 GK Nieuw-Vennep, The Netherlands
Phone: +31 (0) 252-463-200 FAX: +31 (0) 252-463-209
<http://www.nbeurope.com>
info@nbeurope.com

No.171E

First Edition: November 1, 2009

※ Specifications are subject to change without notice.

©NIPPON BEARING CO.,LTD. All rights reserved.
Reproduction Prohibited. Printed in Japan