

Deep-groove Ball Bearings



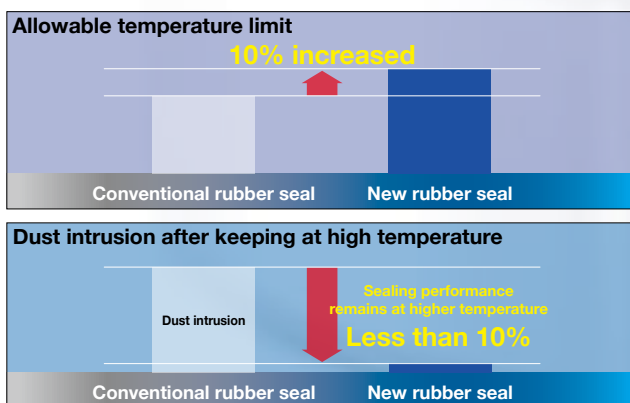


Quest, for Higher Performance and Reliability

Recent industrial machinery trends show an increasing need for bearings capable of handling higher speeds and higher temperature conditions. NACHI QUEST brand deep-groove ball bearings meet these changing demands.

Heat-resistant rubber seals

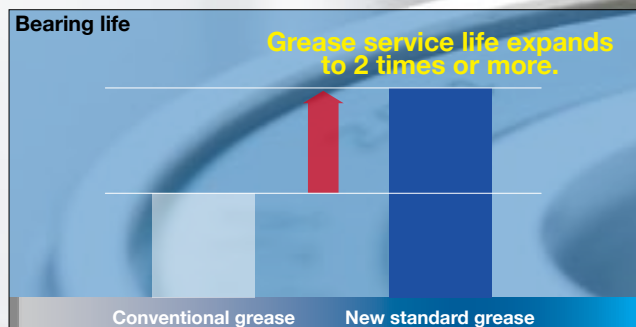
At high temperatures, rubber hardens degrading the seal performance. This allows foreign matter to enter the bearing. New heat-resistant nitrile rubber seals maintain sealing performance at high temperature.



Test bearing	6206-2NSE, 6206-2NSE9
Circumstance	Muddy water sprayed
Rotating speed	1000 rpm (Inner ring rotation), Intermittent Test period 20 hours
Test method	Compare the amount of intruded dust in test bearings with rubber seals degraded at high temperature (140°C x 70 hours)

NACHI original high performance grease

- Modifying the base oil improves high temperature performance without sacrificing the low noise and low torque properties of the conventional grease.
- New standard grease has two times longer grease life than the conventional grease at 120 °C.

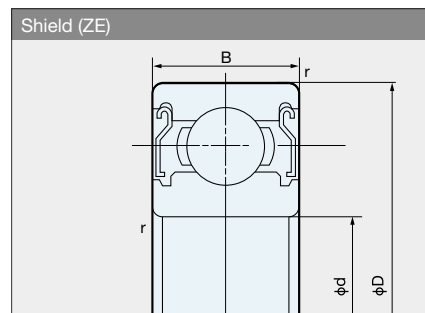
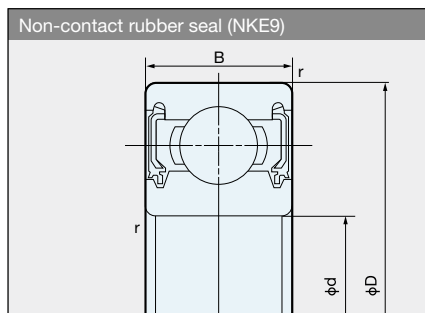
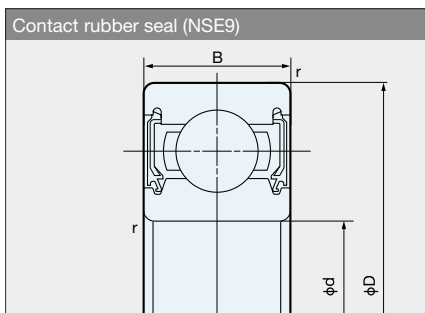


Test bearing	6203-2NKE
Rotating speed	10000 rpm (Inner ring rotation)
Radial load	Fr=500 N
Ambient temp.	120°C

Environmentally-Friendly, conforms to ELV and RoHS directive

Free from hazardous substances such as hexavalent chromium

Dimensions / Specifications



Bearing No.			Boundary dimensions (mm)				Basic dynamic load rating Cr(N)	Basic static load rating Cor(N)	Limiting speed(min ⁻¹)	
Contact rubber seals	Non-contact rubber seals	Shields	d	D	B	r (min)			Grease lubrication	
									2NSE9	2NKE9,ZZE
6000-2NSE9	6000-2NKE9	6000ZZE	10	26	8	0.3	4,550	1,970	22,000	30,000
6200-2NSE9	6200-2NKE9	6200ZZE		30	9	0.6	5,100	2,390	18,000	25,000
6300-2NSE9	6300-2NKE9	6300ZZE		35	11	0.6	8,100	3,450	17,000	23,000
6001-2NSE9	6001-2NKE9	6001ZZE	12	28	8	0.3	5,100	2,390	18,000	28,000
6201-2NSE9	6201-2NKE9	6201ZZE		32	10	0.6	6,800	3,050	17,000	22,000
6301-2NSE9	6301-2NKE9	6301ZZE		37	12	1.0	9,750	4,250	16,000	20,000
6002-2NSE9	6002-2NKE9	6002ZZE	15	32	9	0.3	5,600	2,840	15,000	24,000
6202-2NSE9	6202-2NKE9	6202ZZE		35	11	0.6	7,650	3,700	15,000	20,000
6302-2NSE9	6302-2NKE9	6302ZZE		42	13	1.0	11,400	5,400	13,000	17,000
6003-2NSE9	6003-2NKE9	6003ZZE	17	35	10	0.3	6,000	3,250	14,000	22,000
6203-2NSE9	6203-2NKE9	6203ZZE		40	12	0.6	9,550	4,800	12,000	18,000
6303-2NSE9	6303-2NKE9	6303ZZE		47	14	1.0	13,600	6,550	11,000	16,000
6004-2NSE9	6004-2NKE9	6004ZZE	20	42	12	0.6	9,400	5,000	11,000	18,000
6204-2NSE9	6204-2NKE9	6204ZZE		47	14	1.0	12,800	6,600	11,000	16,000
6304-2NSE9	6304-2NKE9	6304ZZE		52	15	1.1	15,900	7,900	10,000	14,000
6005-2NSE9	6005-2NKE9	6005ZZE	25	47	12	0.6	10,100	5,850	9,500	15,000
6205-2NSE9	6205-2NKE9	6205ZZE		52	15	1.0	14,000	7,900	9,000	13,000
6305-2NSE9	6305-2NKE9	6305ZZE		62	17	1.1	23,600	12,100	8,100	12,000
6006-2NSE9	6006-2NKE9	6006ZZE	30	55	13	1.0	13,200	8,300	8,000	13,000
6206-2NSE9	6206-2NKE9	6206ZZE		62	16	1.0	19,500	11,300	7,500	11,000
6306-2NSE9	6306-2NKE9	6306ZZE		72	19	1.1	26,700	15,000	6,700	10,000
6007-2NSE9	6007-2NKE9	6007ZZE	35	62	14	1.0	16,000	10,300	6,800	12,000
6207-2NSE9	6207-2NKE9	6207ZZE		72	17	1.1	25,700	15,300	6,300	9,800
6307-2NSE9	6307-2NKE9	6307ZZE		80	21	1.5	33,500	19,200	6,000	8,800
6008-2NSE9	6008-2NKE9	6008ZZE	40	68	15	1.0	16,800	11,500	6,100	10,000
6208-2NSE9	6208-2NKE9	6208ZZE		80	18	1.1	29,100	17,900	5,600	8,700
6308-2NSE9	6308-2NKE9	6308ZZE		90	23	1.5	40,500	24,100	5,300	7,800
6009-2NSE9	6009-2NKE9	6009ZZE	45	75	16	1.0	20,900	15,200	5,400	9,200
6209-2NSE9	6209-2NKE9	6209ZZE		85	19	1.1	32,500	20,500	5,300	7,800
6309-2NSE9	6309-2NKE9	6309ZZE		100	25	1.5	53,000	32,000	4,800	7,000
6010-2NSE9	6010-2NKE9	6010ZZE	50	80	16	1.0	21,800	16,600	5,000	8,500
6210-2NSE9	6210-2NKE9	6210ZZE		90	20	1.1	35,000	23,200	4,800	7,100
6310-2NSE9	6310-2NKE9	6310ZZE		110	27	2.0	62,000	38,000	4,300	6,400

The new NACHI brand 'Quest' in Japanese means "Tankyu (in pursuit)" of high performance and reliability. Focusing on NACHI's materials, machining, and lubrication technologies, NACHI offers the world's top class quality meeting all demands in bearings such as rigidity, durability, environmental impact and quiet operation.



NACHI-FUJIKOSHI CORP.

Main Office: Shiodome Sumitomo Bldg. 17F, 1-9-2 Higashi-Shinbashi, Minato-ku, Tokyo 105-0021, JAPAN
Tel: 03-5568-5111 Fax: 03-5568-5206 URL: <http://www.nachi-fujikoshi.co.jp/>

Overseas Sales Companies

NACHI AMERICA INC. HEAD QUARTERS

17500 Twenty-Three Mile Road, Macomb, Michigan, 48044, U.S.A.
Tel: +1-586-226-5151 Fax: +1-888-383-8665
URL: <http://www.nachi-america.com/>

INDIANA BRANCH

715 Pushville Road, Greenwood, Indiana, 46143, U.S.A.
Tel: +1-317-535-5527 Fax: +1-317-535-3659

WEST COAST BRANCH

12652 E. Alondra Blvd. Cerritos, California, 90703, U.S.A.
Tel: +1-562-802-0055 Fax: +1-562-802-2455

MIAMI BRANCH-LATIN AMERICA DIV.

2315 N.W. 107th Ave., Doral, Florida, 33172, U.S.A.
Tel: +1-305-591-0054/0059/2604 Fax: +1-305-591-3110

NACHI CANADA INC.

89 Courtland Ave., Unit No.2, Concord, Ontario, L4K 3T4, CANADA
Tel: +1-905-660-0088 Fax: +1-905-660-1146
URL: <http://www.nachicanada.com/>

NACHI MEXICANA, S.A. DE C.V.

Urbina No.54, Parque Industrial Naucalpan, Naucalpan de Juarez, Estado de Mexico C.P. 53370, MEXICO
Tel: +52-55-3604-0832 Fax: +52-55-3604-0882

NACHI EUROPE GmbH

Bischofstrasse 99, 47809, Krefeld, GERMANY
Tel: +49-(0)2151-65046-0 Fax: +49-(0)2151-65046-90
URL: <http://www.nachi.de/>

SPAIN BRANCH

Av. Alberto Alcocer 28, 1-A, 28036, Madrid, SPAIN
Tel: +34-(0)91-302-6440 Fax: +34-(0)91-383-9486

BARCELONA OFFICE

Josep Tarradellas, 58, 1-5, 08029 Barcelona, SPAIN
Tel: +34-(0)93-430-6247 Fax: +34-(0)93-419-0807

CZECH BRANCH

Sezemicka 2757/2, VGP Park-A1 Prague 9, 193 00, CZECH
Tel: +420-255-734-000 Fax: +420-255-734-001

U.K. BRANCH

Unit 7, Junction Six Industrial Estate, Electric Avenue, Birmingham B6 7JJ, U.K.
Tel: +44-(0)121-250-1880 Fax: +44-(0)121-250-1889

NACHI SINGAPORE PTE. LTD.

No.2 Joo Koon Way, Jurong Town, Singapore 628943, SINGAPORE
Tel: +65-65587393 Fax: +65-65587371

VIETNAM OFFICE

614 Hong Bang Street, Ward 16, Dist 11, Ho Chi Minh City, VIETNAM
Tel: +84-8-9602-303 Fax: +84-8-9602-187

FUJIKOSHI-NACHI (MALAYSIA) SDN. BHD.

No.17, Jalan USJ 21/3, 47630 UEP Subang Jaya, Selangor Darul Ehsan, MALAYSIA
Tel: +60-(0)3-80247900 Fax: +60-(0)3-80235884

PT.NACHI INDONESIA

Jl.H.R.Rasuna Said Kav.X-O Kuningan, Jakarta 12950, INDONESIA
Tel: +62-021-527-2841 Fax: +62-021-527-3029

NACHI (AUSTRALIA) PTY. LTD.

Unit 1, 23-29 South Street, Rydalmere, N.S.W. 2116, AUSTRALIA
Tel: +61-(0)2-9898-1511 Fax: +61-(0)2-9898-1678
URL: <http://www.nachi.com.au/>

那智不二越(上海)貿易有限公司

NACHI (SHANGHAI) CO., LTD.

Yitong Industry Zone 258, Fengmao Rd. Malu Town, Jiading, Shanghai 201801, CHINA
Tel: +86-(0)21-6915-2200 Fax: +86-(0)21-6915-5427

NACHI-FUJIKOSHI CORP. TAIPEI REPRESENTATIVE OFFICE

3F No.276, Sec3, Chung Ching N. Road, Taipei, TAIWAN
Tel: +886-(0)2-2596-0118 Fax: +886-(0)2-2596-5346

NACHI-FUJIKOSHI CORP. KOREA REPRESENTATIVE OFFICE

2F Dongsan Bldg. 276-4, Sungsu 2GA-3DONG Sungdong-Ku. Seoul 133-831, KOREA
Tel: +82-(0)2-469-2254 Fax: +82-(0)2-469-2264

NACHI-FUJIKOSHI CORP. THAILAND REPRESENTATIVE OFFICE

Unit 23/109(A), Fl.24th Sorachai Bldg., 23 Sukhumvit 63 Road(Ekamai), Klongtonnua, Wattana, Bangkok 10110, THAILAND
Tel: +66-2-714-0008 Fax: +66-2-714-0740

NACHI-FUJIKOSHI CORP. INDIA REPRESENTATIVE OFFICE

A/9A, Sector-16, Noida-201301, Distt. Gautam Budh Nagar, U.P. INDIA
Tel: +91-120-4272257 Fax: +91-120-4272256

Overseas Manufacturing Companies

NACHI TECHNOLOGY INC.

713 Pushville Road, Greenwood, Indiana, 46143, U.S.A.
Tel: +1-317-535-5000 Fax: +1-317-535-8484
URL: <http://www.nachitech.com/>

NACHI MACHINING TECHNOLOGY CO.

17500 Twenty-three Mile Road, Macomb, Michigan, 48044, U.S.A.
Tel: +1-586-263-0100 Fax: +1-586-263-4571
URL: <http://www.nachimtc.com/>

NACHI BRASIL LTDA.

Avenida João XX III, No.2330, Jardim São Pedro, Mogi das Cruzes, S.P., BRASIL, CEP 08830-000
Tel: +55-11-4793-8800 Fax: +55-11-4793-8870
URL: <http://www.nachi.com.br/>

NACHI CZECH S.R.O.

Prumyslova 2732, 440 01 Louny, CZECH
Tel: +420-415-930-930 Fax: +420-415-930-940

NACHI TECHNOLOGY (THAILAND) CO., LTD.

5/5 M. 2, Rojana Industrial Estate Nongbua, Ban Khai, Rayong, 21120, THAILAND
Tel: +66-38-961-682 Fax: +66-38-961-683

NACHI INDUSTRIES PTE. LTD.

No.2 Joo Koon Way, Jurong Town, Singapore 628943, SINGAPORE
Tel: +65-68613944 Fax: +65-68611153
URL: <http://www.nachinip.com.sg/>

NACHI PILIPINAS INDUSTRIES, INC.

1st Avenue, Manalac Compound, Sta. Maria Industrial Estate, Bagumbayan, Taguig, Metro Manila, PHILIPPINES
Tel: +63-(0)2-838-3620 Fax: +63-(0)2-838-3623

MANILA OFFICE

Km23 East Service Road, Capang Muntinlupa, City Metro Manila, PHILIPPINES
Tel: +63-(0)2-850-0864 Fax: +63-(0)2-850-0864

建越工業股份有限公司

NACHI C.Y. CORP.

No.109, Kao Young North Rd, Lung-Tan Hsin, Tao-Yuan Hsien, TAIWAN
Tel: +886-(0)3-471-7651 Fax: +886-(0)3-471-8402

東莞建越精密軸承有限公司

DONGGUAN NACHI C.Y. CORPORATION

Dangyong Village, Hongmei Town Dongguan City, Guangdong, CHINA
Tel: +86-(0)769-8843-1300 Fax: +86-(0)769-8843-1330

上海不二越精密軸承有限公司

SHANGHAI NACHI BEARINGS CO., LTD.

Yitong Industry Zone 258, Fengmao Rd. Malu Town, Jiading, Shanghai 201801, CHINA
Tel: +86-(0)21-6915-6200 Fax: +86-(0)21-6915-6202

那智不二越(上海)精密工具有限公司

NACHI (SHANGHAI) PRECISION TOOLS CO., LTD.

Yitong Industry Zone 258, Fengmao Rd. Malu Town, Jiading, Shanghai 201801, CHINA
Tel: +86-(0)21-6915-7200 Fax: +86-(0)21-6915-7669

大成・NACHI油圧工業(株)

DAESUNG-NACHI HYDRAULICS CO., LTD.

289-22, Yousan-Dong, Yangsan-Si Kyungnam 626-800, KOREA
Tel: +82-(0)55-385-7891-3 Fax: +82-(0)55-384-3270

NACHI MOTHERSON TOOL TECHNOLOGY LTD.

D-59-60, Sector-6, Noida 201301, Distt. Gautam Budh Nagar, U.P.INDIA
Tel: +91-120-425-8372 Fax: +91-120-425-8374

The appearance and specifications may be changed without prior notice if required to improve performance.

Every care has been taken to ensure the accuracy of the information contained in this catalog but no liability can be accepted for any errors or omissions.