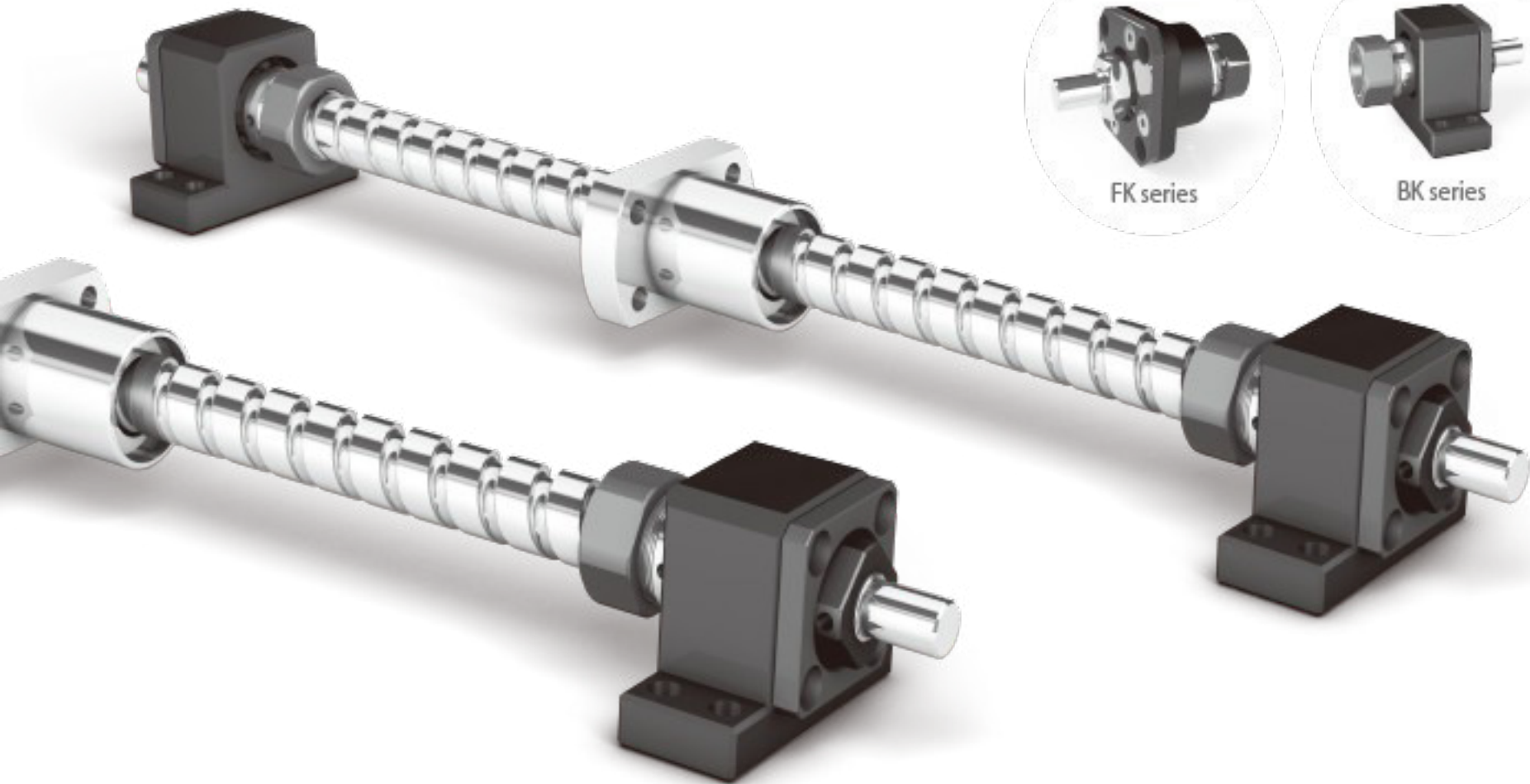
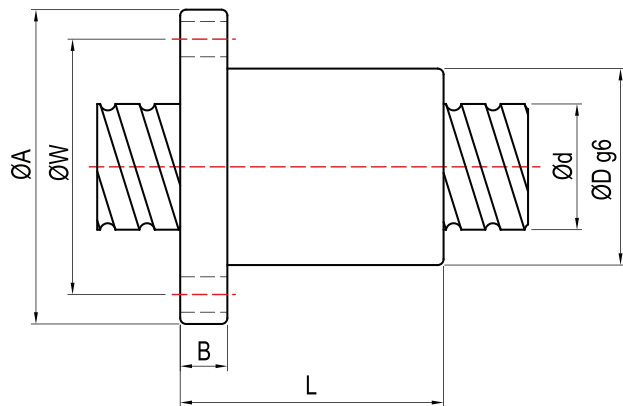




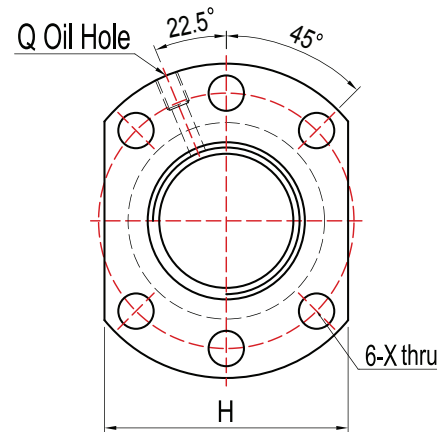
AMA TECH



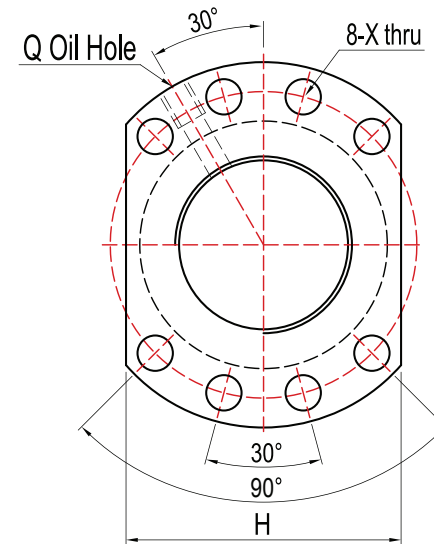
AFU DIN U TYPE NUTS



TYPE A



TYPE B



PRODUCT SPECIFICATIONS

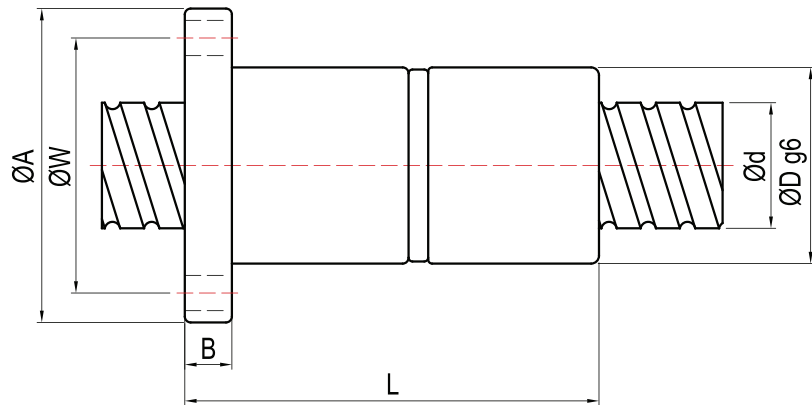
unit : mm

Model No.	Specification														
	d	l	D _a	D	A	B	L	W	X	Type	H	Q	n	C _a (Kgf)	C _{0a} (kgf)
1604-4	16	4	2.381	28	48	10	45	38	5.5	A	40	M6	T4	944	1254
● 1605-3	16	5	3.175	28	48	10	42	38	5.5	A	40	M6	T3	1049	1144
● 1605-4	16	5	3.175	28	48	10	50	38	5.5	A	40	M6	T4	1344	1525
1610-3	16	10	3.175	28	48	12	65	38	5.5	A	40	M6	T3	1084	1232
2005-3	20	5	3.175	36	58	10	47	47	6.6	A	44	M6	T3	1181	1496
● 2005-4	20	5	3.175	36	58	10	53	47	6.6	A	44	M6	T4	1512	1995
2006-3	20	6	3.969	36	58	10	52	47	6.6	A	44	M6	T3	1569	1788
2010-3	20	10	3.969	36	58	10	68	47	6.6	A	44	M6	T3	1621	1925
2504-4	25	4	2.381	40	62	11	46	51	6.6	A	48	M6	T4	1178	2046
2505-3	25	5	3.175	40	62	10	47	51	6.6	A	48	M6	T3	1330	1936
● 2505-4	25	5	3.175	40	62	10	53	51	6.6	A	48	M6	T4	1704	2581
2510-3	25	10	4.762	40	62	12	75	51	6.6	A	48	M6	T3	2250	2772
2510-4	25	10	4.762	40	62	12	85	51	6.6	A	48	M6	T4	2881	3695
● 3205-4	32	5	3.175	50	80	12	53	65	9	A	62	M6	T4	1924	3403
3206-4	32	6	3.969	50	80	12	58	65	9	A	62	M6	T4	2598	4217
3210-3	32	10	6.35	50	80	16	77.5	65	9	A	62	M6	T3	3775	5877
3210-4	32	10	6.35	50	80	16	90	65	9	A	62	M6	T4	4834	7835
● 4005-4	40	5	3.175	63	93	16	56	78	9	B	70	M8	T4	2142	4342
4006-4	40	6	3.969	63	93	14	60	78	9	B	70	M6	T4	2877	5318
4010-4	40	10	6.35	63	93	18	93	78	9	B	70	M8	T4	5399	10074
5006-4	50	6	3.969	75	110	15	62	93	11	B	85	M8	T4	3203	6784
5010-4	50	10	6.35	75	110	18	93	93	11	B	85	M8	T4	5933	12313
6310-4	63	10	6.35	90	125	18	98	108	11	B	95	M8	T4	6700	16230
6320-3	63	20	9.525	95	135	20	138	115	13.5	B	100	M8	T3	8957	17945
8010-4	80	10	6.35	105	145	20	98	125	13.5	B	110	M8	T4	7547	21268
8020-3	80	20	9.525	125	165	25	143	145	13.5	B	130	M8	T3	10168	23611

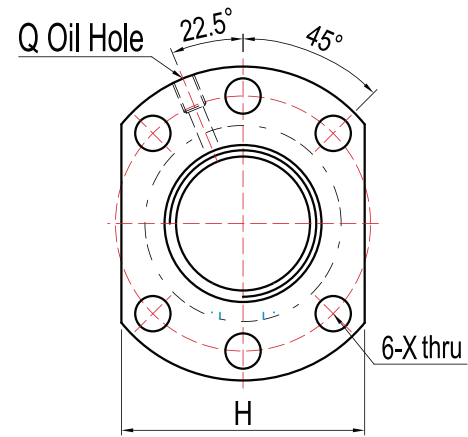
Note

● Can produce left helix.

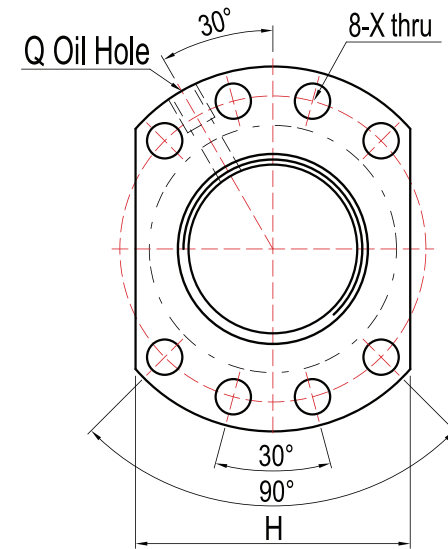
TFU DIN U TYPE DOUBLE NUTS



TYPE A



TYPE B

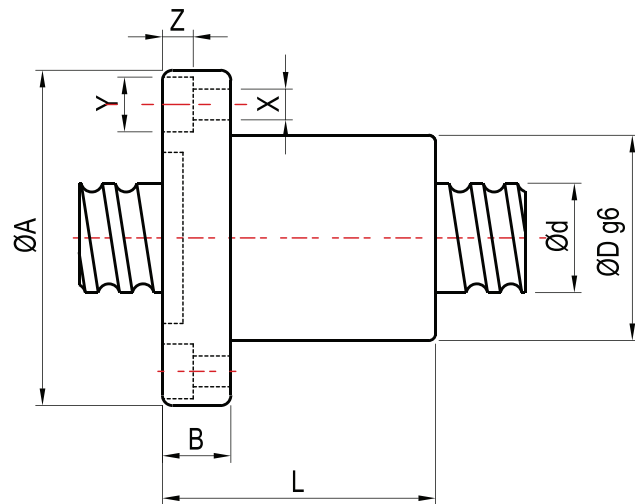


PRODUCT SPECIFICATIONS

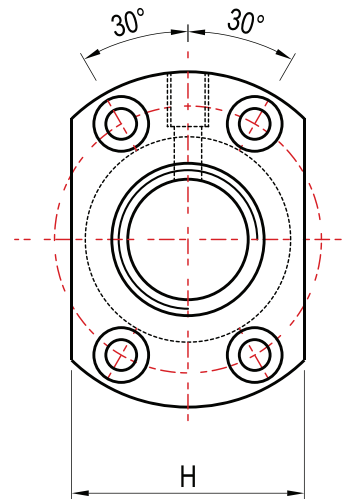
unit : mm

Model No.	Specification														
	d	l	D _a	D	A	B	L	W	X	Type	H	Q	n	C _a (Kgf)	C _{0a} (kgf)
● 1605-3	16	5	3.175	28	48	10	80	38	5.5	A	40	M6	T3	1049	1144
● 2005-4	20	5	3.175	36	58	12	92	47	6.6	A	44	M6	T4	1512	1995
● 2505-4	25	5	3.175	40	62	12	92	51	6.6	A	48	M6	T4	1704	2581
2510-4	25	10	4.762	40	62	12	153	51	6.6	A	48	M6	T4	2881	3695
● 3205-4	32	5	3.175	50	80	12	92	65	9	A	62	M6	T4	1924	3403
3210-4	32	10	6.35	50	80	16	160	65	9	A	62	M6	T4	4834	7835
4005-4	40	5	3.175	63	93	15	96	78	9	B	70	M8	T4	2142	4342
4010-4	40	10	6.35	63	93	18	162	78	9	B	70	M8	T4	5399	10074
5010-4	50	10	6.35	75	110	16	162	93	11	B	85	M8	T4	5933	12313
6310-4	63	10	6.35	90	125	18	182	108	11	B	95	M8	T4	6700	16230
6320-3	63	20	9.525	95	135	20	253	115	13.5	B	100	M8	T3	8957	17945
8010-4	80	10	6.35	105	145	20	182	125	13.5	B	110	M8	T4	7547	21268
8020-3	80	20	9.525	125	165	25	253	145	13.5	B	130	M8	T3	10168	23611
Note	● Can produce left helix.														

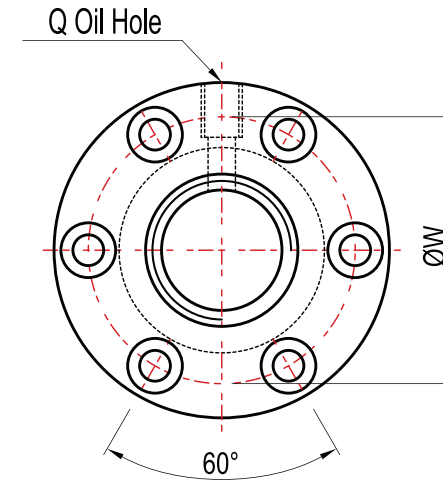
AFI I TYPE NUTS



TYPE A



TYPE B



PRODUCT SPECIFICATIONS

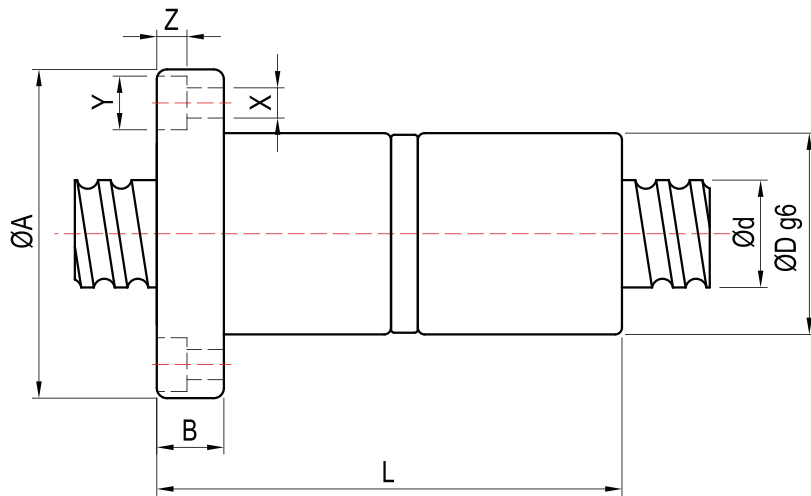
unit : mm

Model No.	Specification																
	d	l	D _a	D	A	B	L	W	X	Y	Z	Type	H	Q	n	C _a (Kgf)	C _{0a} (kgf)
1404-4	14	4	2.381	26	46	10	47	36	4.5	8	4.5	A	34	M6	T4	875	1056
1405-3	14	5	3.175	26	46	10	45	36	4.5	8	4.5	A	34	M6	T3	1013	1056
1604-4	16	4	2.381	30	49	10	45	39	4.5	8	4.5	A	34	M6	T4	944	1254
● 1605-3	16	5	3.175	30	49	10	42	39	4.5	8	4.5	A	34	M6	T3	1049	1144
● 1605-4	16	5	3.175	30	49	10	50	39	4.5	8	4.5	A	34	M6	T4	1344	1525
1610-3	16	10	3.175	34	58	10	65	45	5.5	9.5	5.5	A	36	M6	T3	1084	1232
● 2005-4	20	5	3.175	34	57	12	53	45	5.5	9.5	5.5	A	40	M6	T4	1512	1995
2504-4	25	4	2.381	40	63	11	46	51	5.5	9.5	5.5	A	46	M6	T4	1178	2046
● 2505-4	25	5	3.175	40	63	12	53	51	5.5	9.5	5.5	A	46	M8	T4	1704	2581
2510-4	25	10	4.762	46	72	12	85	58	6.5	11	6.5	A	52	M6	T4	2881	3695
● 3205-4	32	5	3.175	46	72	12	53	58	6.5	11	6.5	A	52	M8	T4	1924	3403
3206-4	32	6	3.969	62	89	12	63	75	6.5	11	6.5	B	-	M8	T4	2598	4217
3210-4	32	10	6.35	54	88	16	90	70	9	14	8.5	A	62	M8	T4	4834	7835
4005-4	40	5	3.175	56	90	16	56	72	9	14	8.5	A	64	M8	T4	2142	4342
4010-4	40	10	6.35	62	104	18	93	82	11	17.5	11	A	70	M8	T4	5399	10074
5010-4	50	10	6.35	72	114	18	93	92	11	17.5	11	A	82	M8	T4	5933	12313
6310-4	63	10	6.35	85	131	22	100	107	14	20	13	B	-	M8	T4	6700	16230
6320-3	63	20	9.525	95	153	23	130	123	18	26	17.5	B	-	M8	T3	8957	17945
8010-4	80	10	6.35	105	150	22	92	127	14	20	13	B	-	M8	T4	7547	21268
8020-3	80	20	9.525	115	173	23	130	143	18	26	17.5	B	-	M8	T3	10168	23611

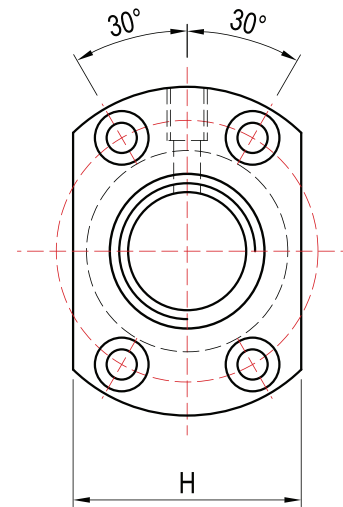
Note

● Can produce left helix.

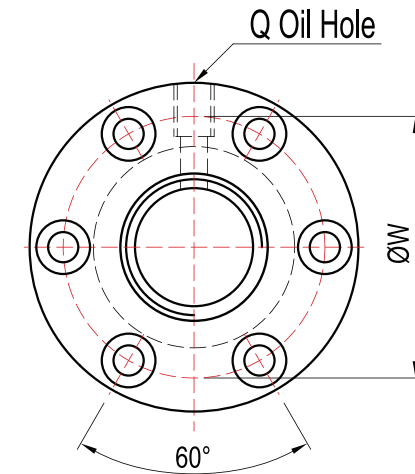
TFI I DOUBLE TYPE NUTS



TYPE A



TYPE B

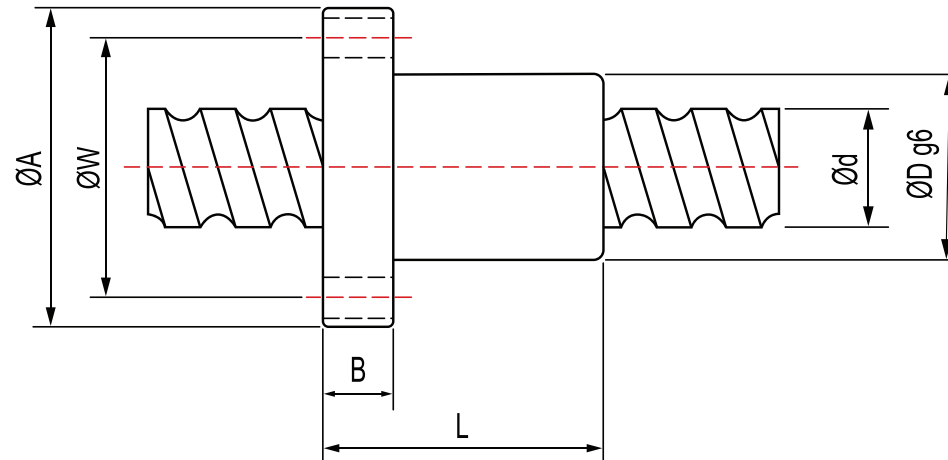
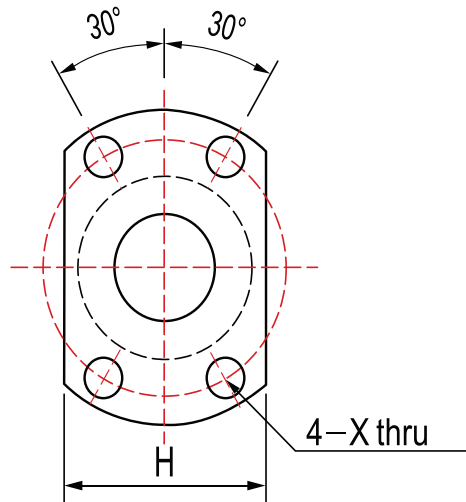


PRODUCT SPECIFICATIONS

unit : m m

Model No.	Specification																
	d	l	D _a	D	A	B	L	W	X	Y	Z	Type	H	Q	n	C _a (Kgf)	C _{0a} (kgf)
● 1605-3	16	5	3.175	30	49	10	80	39	4.5	8	4.5	A	34	M6	T3	1049	1144
● 2005-4	20	5	3.175	34	57	12	92	45	5.5	9.5	5.5	A	40	M6	T4	1512	1995
● 2505-4	25	5	3.175	40	63	12	92	51	5.5	9.5	5.5	A	46	M8	T4	1704	2581
2510-4	25	10	4.762	46	72	12	156	58	6.5	11	6.5	A	52	M6	T4	2881	3695
● 3205-4	32	5	3.175	46	72	12	92	58	6.5	11	6.5	A	52	M8	T4	1924	3403
3210-4	32	10	6.35	54	88	16	160	70	9	14	8.5	A	62	M8	T4	4834	7835
● 4005-4	40	5	3.175	56	90	16	96	72	9	14	8.5	A	64	M8	T4	2142	4342
4010-4	40	10	6.35	62	104	18	162	82	11	17.5	11	A	70	M8	T4	5399	10074
5010-4	50	10	6.35	72	114	18	162	92	11	17.5	11	A	82	M8	T4	5933	12313
6310-4	63	10	6.35	85	131	22	182	107	14	20	13	B	-	M8	T4	6700	16230
6320-3	63	20	9.525	95	153	23	253	123	18	26	17.5	B	-	M8	T3	8957	17945
8010-4	80	10	6.35	105	150	22	182	127	14	20	13	B	-	M8	T4	7547	21268
8020-3	80	20	9.525	115	173	23	253	143	18	26	17.5	B	-	M8	T3	10168	23611
Note	● Can produce left helix.																

AFK MINIATURE NUT

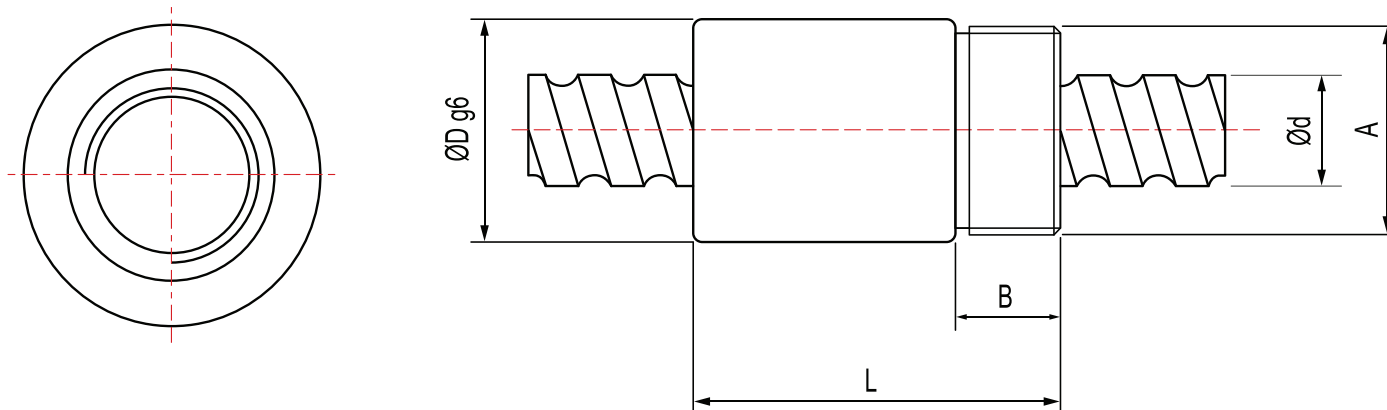


PRODUCT SPECIFICATIONS

unit : m m

Model No.	Specification												
	d	l	D _a	D	A	B	L	W	X	H	n	C _a (Kgf)	C _{0a} (kgf)
0601-3	6	1	0.800	12	24	3.5	18	18	3.4	16	T3	111	123
0801-3	8	1	0.800	14	27	4	20	21	3.4	18	T3	126	162
0802-3	8	2	1.200	16	29	4	26	23	3.4	20	T3	215	239
0825-3	8	2.5	1.200	16	29	4	26	23	3.4	20	T3	215	239
1002-3	10	2	1.200	18	35	5	28	27	4.5	22	T3	240	302
1004-3	10	4	2.000	26	46	10	35	36	4.5	28	T3	472	489
1202-3	12	2	1.200	20	37	5	28	29	4.5	24	T3	265	377
1204-3	12	4	2.381	28	48	6	35	39	5.5	30	T3	645	693
1205-3	12	5	2.000	28	48	6	35	39	5.5	30	T3	514	594
1402-3	14	2	1.200	21	40	6	28	31	5.5	26	T3	283	440
1602-3	16	2	1.200	25	43	10	32	35	5.5	29	T3	300	503

ASA SINGLE-CUTTING NUTS (without wipers)

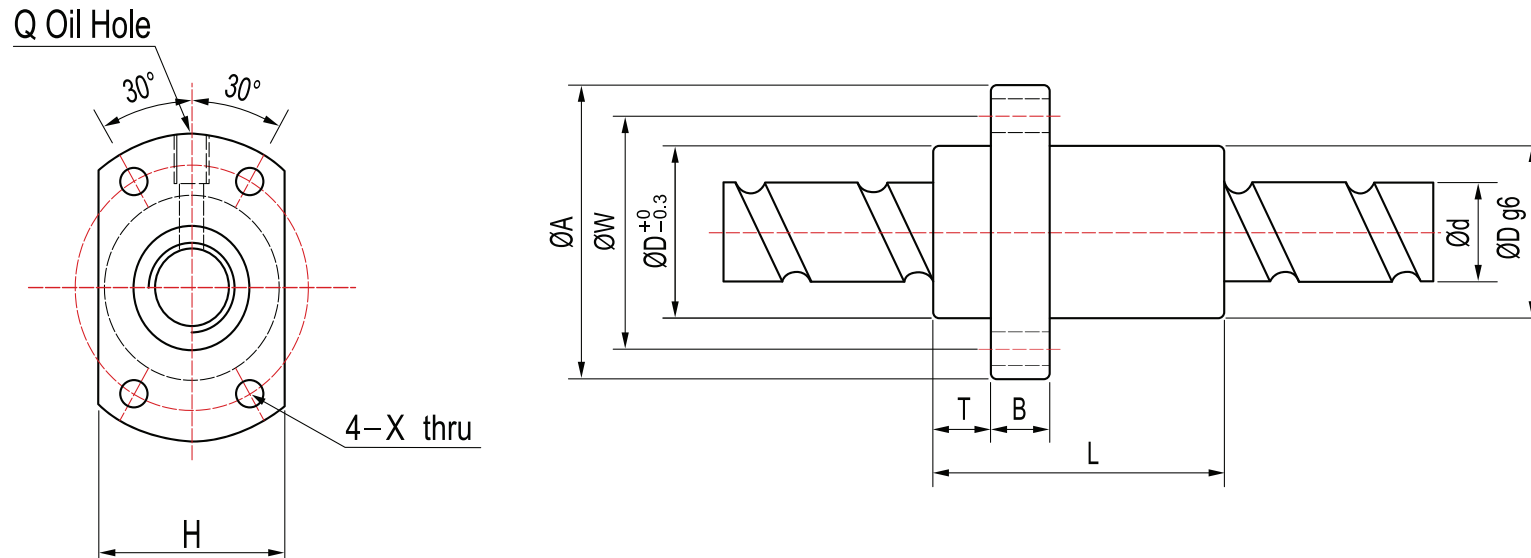


unit : m m

Model No.	Specification									
	d	l	D _a	D	A	B	L	n	C _a (Kgf)	C _{0a} (kgf)
0825-3	8	2.5	1.2	17.5	M15x1P	8	26	T3	215	239
1003-3	10	3	1.8	21	M18x1P	9	29	T3	403	424
1204-3	12	4	2.381	25.5	M20x1P	10	34	T3	645	693
1205-3	12	5	2	25.5	M20x1P	10	39	T3	514	594
1605-3	16	5	3.175	32.5	M26X1.5P	12	42	T3	1049	1144

PRODUCT SPECIFICATIONS

AFY HIGH LEAD NUT



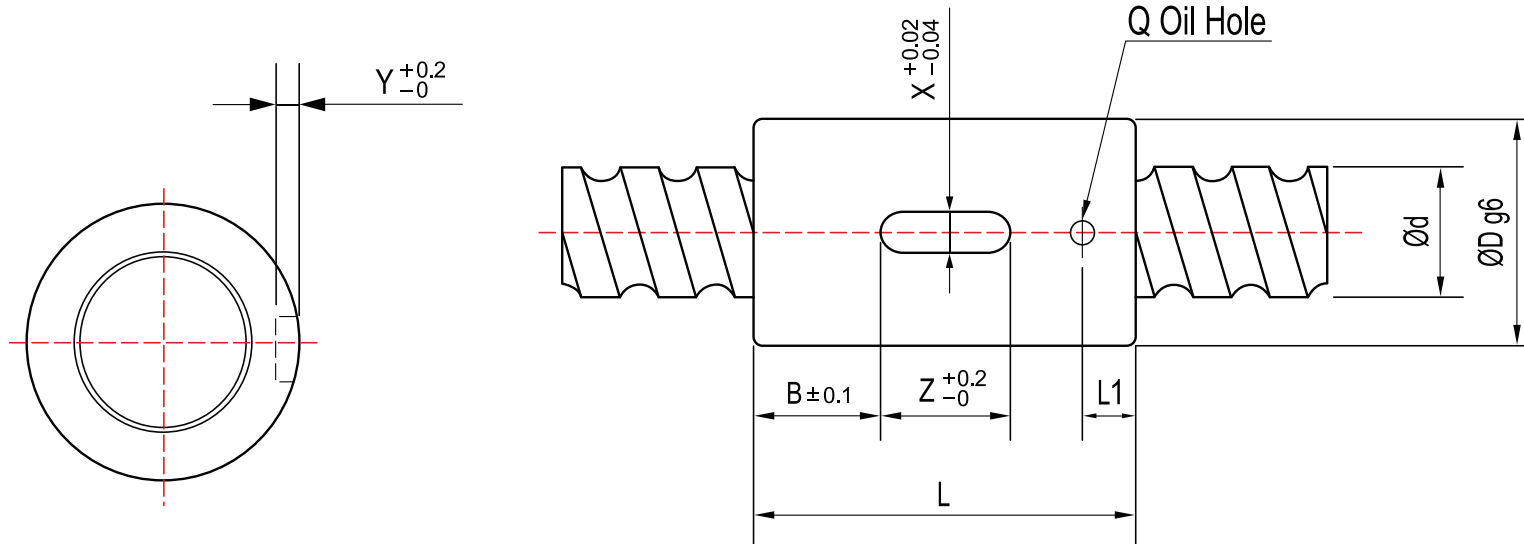
unit : m m

Model No.	Specification														
	d	l	D _a	D	A	B	T	L	W	X	H	Q	n	C _a (Kgf)	C _{0a} (kgf)
1616-2	16	16	3.175	32	53	10	10.5	48	42	4.5	38	M6	A2	1512	1995
• 2020-2	20	20	3.175	39	62	10	10.8	55	50	5.5	46	M6	A2	1659	2464
2520-2	25	20	3.5	47	74	12	11	65	60	6.6	49	M6	A2	2106	3422
2525-2	25	25	3.969	47	74	12	11.2	67	60	6.6	56	M6	A2	2481	3851
3232-2	32	32	4.762	58	92	15	14	82	74	9	68	M6	A2	3585	6071
4040-2	40	40	6.35	73	114	17	17	100	93	11	84	M6	A2	5778	11753
5050-2	50	50	7.938	90	135	20	21.5	125	112	14	92	M6	A2	8819	19241

Note

- Can produce left helix.

ACS SINGLE CYLINDRICAL NUT



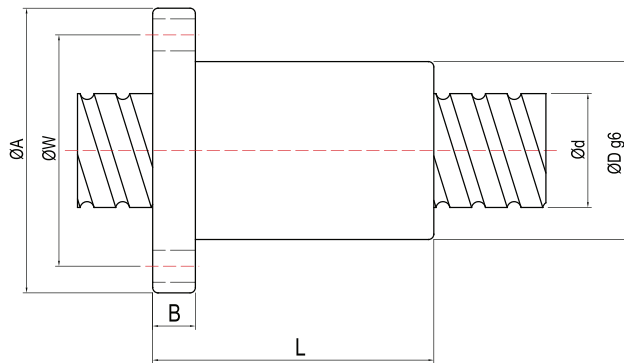
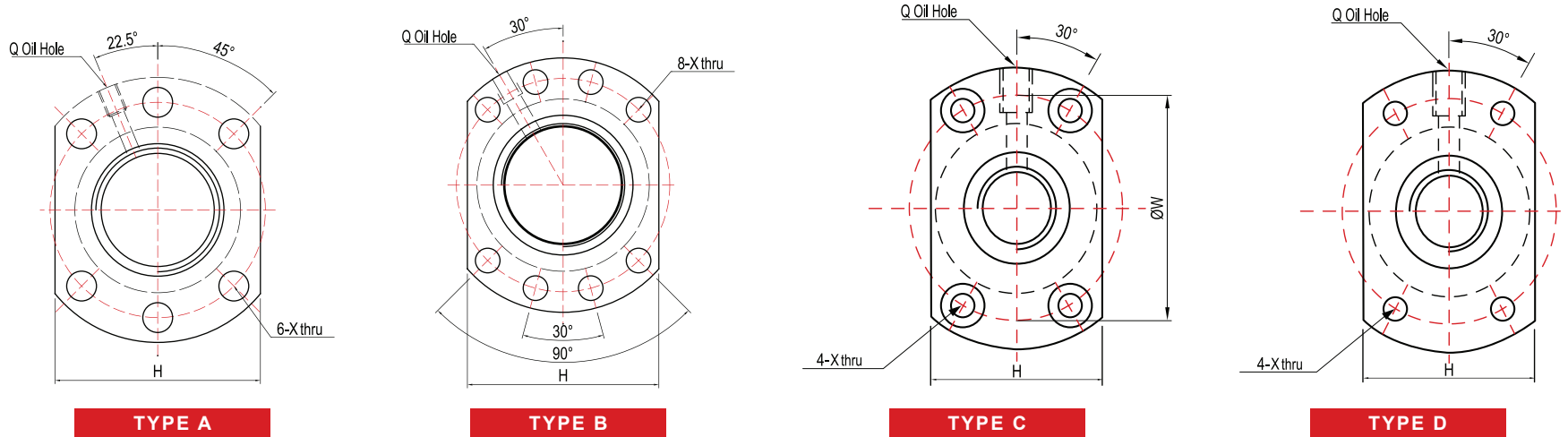
PRODUCT SPECIFICATIONS

unit : m m

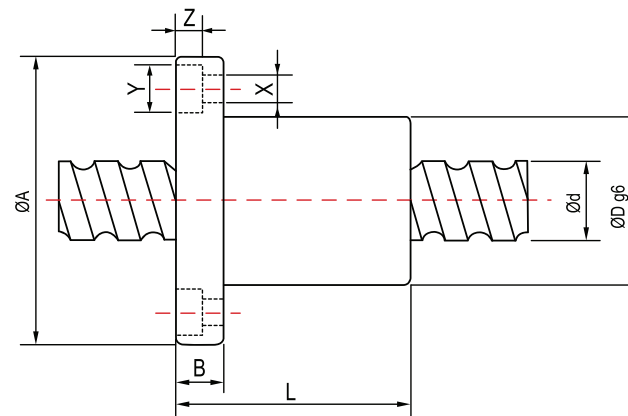
Model No.	Specification													
	d	l	D _a	D	L	B	X	Y	Z	Q	L1	n	C _a (Kgf)	C _{0a} (kgf)
1202-3	12	2	1.2	24	30	9	3	1.5	12	Ø3	4	T3	265	377
1204-3	12	4	2.381	24	35	11.5	3	1.5	12	Ø3	5	T3	645	693
1205-3	12	5	2	24	40	14	3	1.5	12	Ø3	5	T3	514	594
1210-2	12	10	2	24	40	14	3	1.5	12	Ø3	5	T2	390	466
1602-3	16	2	1.2	28	40	10	5	2	20	Ø3	5	T3	300	503
1604-4	16	4	2.381	28	45	12.5	5	2	20	Ø3	7	T4	944	1254
1605-3	16	5	3.175	28	45	12.5	5	2	20	Ø3	7	T3	1049	1144
●1605-4	16	5	3.175	28	50	15	5	2	20	Ø3	7	T4	1344	1525
1610-3	16	10	3.175	28	45	12.5	5	2	20	Ø3	7	T3	1181	1496
1616-2	16	16	3.175	28	45	12.5	5	2	20	Ø3	7	T2	833	997
2005-3	20	5	3.175	36	47	13.5	5	2	20	Ø3	7	T3	1181	1496
●2005-4	20	5	3.175	36	53	16.5	5	2	20	Ø3	7	T4	1512	1995
2006-3	20	6	3.969	36	53	16.5	5	2	20	Ø3	7	T3	1568	1787
2010-3	20	10	3.969	36	68	24	5	2	20	Ø3	7	T3	1621	1925
2020-4	20	20	3.175	36	53	17.5	5	2	20	Ø3	7	T4	1659	2464
●2505-4	25	5	3.175	40	53	16.5	5	2	20	Ø3	7	T4	1704	2581
▲2510-3	25	10	3.5	40	54	17	5	2	20	Ø3	7	T3	1614	2460
●3205-4	32	15	3.175	50	53	11.5	6	2.5	30	Ø3	7	T4	1924	3403
3210-3	32	10	6.35	50	70	20	6	2.5	30	Ø3	7	T3	3775	5877
3220-3	32	20	3.969	50	78	24	6	2.5	30	Ø3	7	T3	2141	3576
●4005-4	40	5	3.175	63	56	13	6	2.5	30	Ø3	7	T4	2142	4242
4010-3	40	10	6.35	63	80	25	6	2.5	30	Ø3	7	T3	4216	7556
4020-3	40	20	5.556	63	83	26.5	6	2.5	30	Ø3	7	T3	3782	6468
5010-3	50	10	6.35	75	82	23	6	2.5	36	Ø3	7	T3	4633	9235
6310-4	63	10	6.35	85	90	29	6	2.5	32	Ø5	14	T4	6700	16230

Note ● Can produce left helix. ▲ Steel balls 3.5mm, please order 3.5mm shaft to meet.

AFS DIN LOW-NOISE NUT



TYPE A, B, D



TYPE C

PRODUCT SPECIFICATIONS

unit : m m

Model No.	Specification																
	d	l	D _a	D	A	B	L	W	X	Y	Z	Type	H	Q	n	C _a (Kgf)	C _{0a} (kgf)
1210-2	12	10	2	30	50	10	40	40	4.5	8	4.5	C	32	M6	T2	390	466
1520-2	15	20	3.175	34	55	12	57	45	6	-	-	D	34	M6	T2	833	997
1610-3	16	10	3.175	28	48	12	43	38	5.5	-	-	A	40	M6	T3	1180	1496
1616-3	16	16	3.175	28	48	12	61	38	5.5	-	-	A	40	M6	T3	1180	1496
2010-2	20	10	3.969	46	74	13	54	59	6.6	11	5.5	C	46	M6	T2	1246	1559
2020-4	20	20	3.175	36	58	10	55	47	6.6	-	-	A	44	M6	T4	1659	2464
▲ 2510-4	25	10	3.5	40	62	12	64	51	6.6	-	-	A	48	M6	T4	2067	3280
2525-4	25	25	3.969	47	74	12	67	60	6.6	-	-	A	56	M6	T4	2481	3851
3220-3	32	20	3.969	50	80	13	78	65	9	-	-	A	62	M6	T3	2141	3576
3232-4	32	32	4.762	56	86	16	82	71	9	-	-	A	65	M6	T4	3585	6071
4020-3	40	20	5.556	63	93	15	83	78	9	-	-	B	70	M8	T3	3782	6468
4040-4	40	40	6.35	65	95	18	100	80	9	-	-	B	72	M8	T4	5778	11753
5020-5	50	20	6.35	75	110	18	121	93	11	-	-	B	85	M8	T5	7737	18189
Note	▲ Steel balls 3.5mm, please order 3.5mm shaft to meet.																

NUMBERING OF BALL SCREW SUPPORT UNITS



BALL SCREW SUPPORT UNITS



1 | Series Title

- AIL : Low profile
- AEF : Round Type
- AEB : Radial Fixed
- AER : Lock Nut

2 | Type

- K : Fixed end unit
- F : Supported end unit
- N : Normal loading

3 | Fixed Shaft

ELASTIC COUPLING



1 | Series Title

2 | Flexibility

3 | Coupling

4 | Outer Diameter

5 | Bore-1

6 | Bore-2


SPECIFICATION

BALL SCREW SUPPORT UNITS					
AIL Series		AEF Series		AEB Series	
Fixed Side	Support Side	Fixed Side	Support Side	Fixed Side	Support Side
AILK16	AILF16	AEFK10	AEFF10	AEBK10	AEBF10
AILK20	AILF20	AEFK12	AEFF12	AEBK12	AEBF12
AILK25	AILF25	AEFK15	AEFF15	AEBK15	AEBF15
-	-	AEFK17	AEFF17	AEBK17	AEBF17
-	-	AEFK20	AEFF20	AEBK20	AEBF20
-	-	AEFK25	AEFF25	AEBK25	AEBF25
-	-	AEFK30	AEFF30	AEBK30	AEBF30
-	-	-	-	AEBK35	AEBF35
-	-	-	-	AEBK40	AEBF40

BALL SCREW SUPPORT UNITS	
AER Series	
Fixed Nut	
AERN05	AERN17
AERN06	AERN20
AERN08	AERN25
AERN10	AERN30
AERN12	AERN35
AERN15	AERN40

COUPLING
ACF Series
Elastic Coupling
ACFC20-xxxx
ACFC30-xxxx
ACFC40-xxxx
ACFC55-xxxx
ACFC65-xxxx
ACFC80-xxxx

Please refer to
AMA website for
 spec checking
www.amatg.com.tw



AMA TECH CORP.

5F., No. 101, Zhongcheng Rd., Tucheng Dist.,
New Taipei City 236, Taiwan (R.O.C.)

TEL: +886-2-2268-0565

FAX: +886-2-2268-0602

E-MAIL: service@amatg.com.tw



www.amatg.com.tw